



US00D561174S

(12) **United States Design Patent**
Ching

(10) **Patent No.:** **US D561,174 S**

(45) **Date of Patent:** **** Feb. 5, 2008**

(54) **MULTIMEDIA SPEAKER**

D503,396 S * 3/2005 Hisatsune D14/214
D511,339 S * 11/2005 Tsuge D14/214

(75) Inventor: **Chan Ching**, Taipei Hsien (TW)

* cited by examiner

(73) Assignee: **Perfect Union Co., Ltd.**, Taipei Hsien (TW)

Primary Examiner—Nanda Bondade

(74) *Attorney, Agent, or Firm*—Troxell Law Office, PLLC

(**) Term: **14 Years**

(57) **CLAIM**

(21) Appl. No.: **29/262,798**

The ornamental design for a multimedia speaker, as shown and described.

(22) Filed: **Jul. 12, 2006**

DESCRIPTION

(51) **LOC (8) Cl.** **14-01**

(52) **U.S. Cl.** **D14/214**

(58) **Field of Classification Search** D14/204,
D14/209–217; 181/143–144, 147–148, 150,
181/157, 198–199, 151, 153; 381/300–302,
381/306, 333, 345, 361–364, 386–388, 332,
381/336

FIG. 1 is a top front and left side perspective view of a multimedia speaker showing my new design;

FIG. 2 is a front elevational view thereof;

FIG. 3 is a rear elevational view thereof;

FIG. 4 is a left side elevational view thereof;

FIG. 5 is a right side elevational view thereof;

FIG. 6 is a top plan view thereof; and,

FIG. 7 is a bottom plan view thereof.

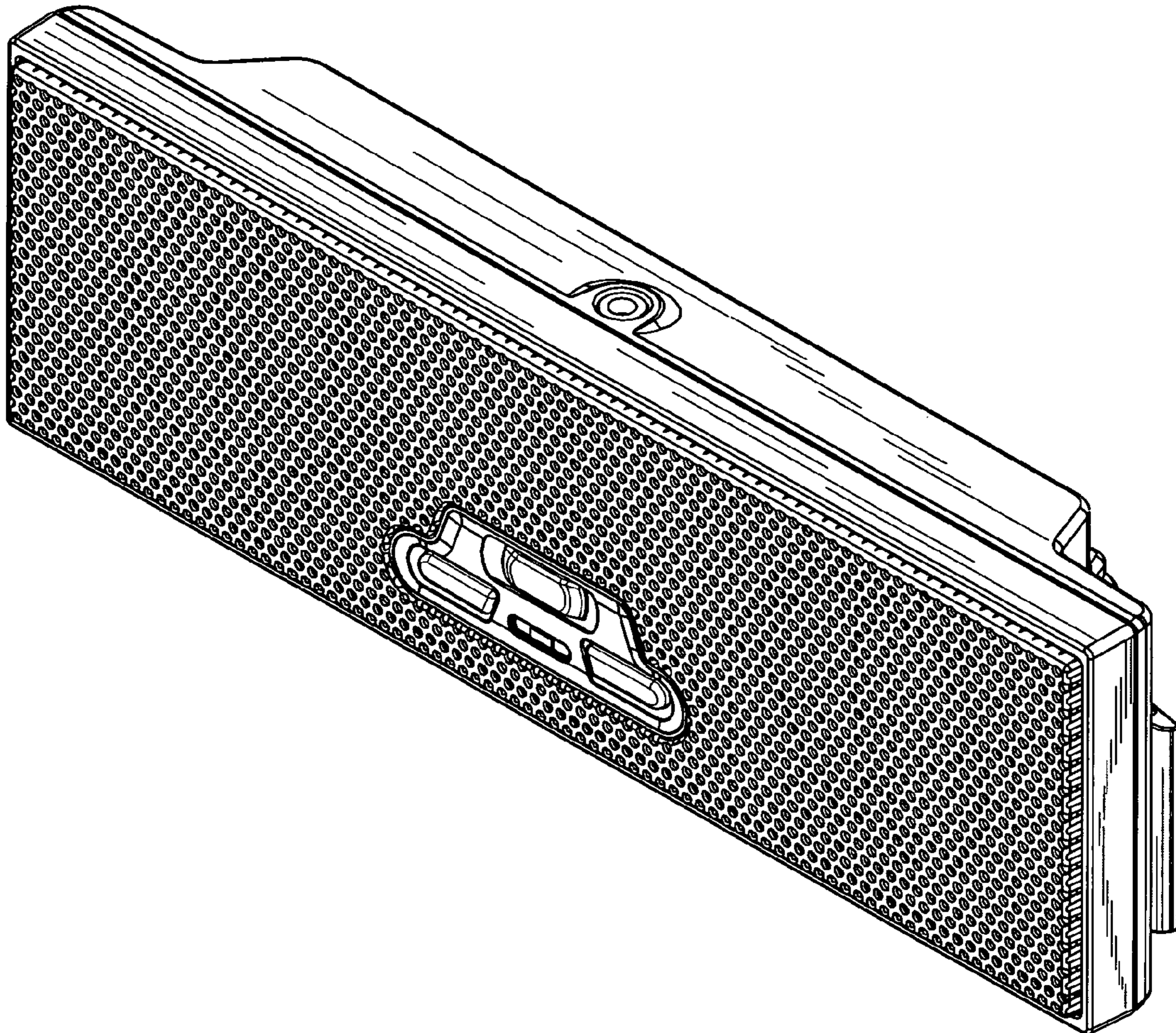
See application file for complete search history.

(56) **References Cited**

U.S. PATENT DOCUMENTS

D472,542 S * 4/2003 Oikawa D14/172

1 Claim, 4 Drawing Sheets



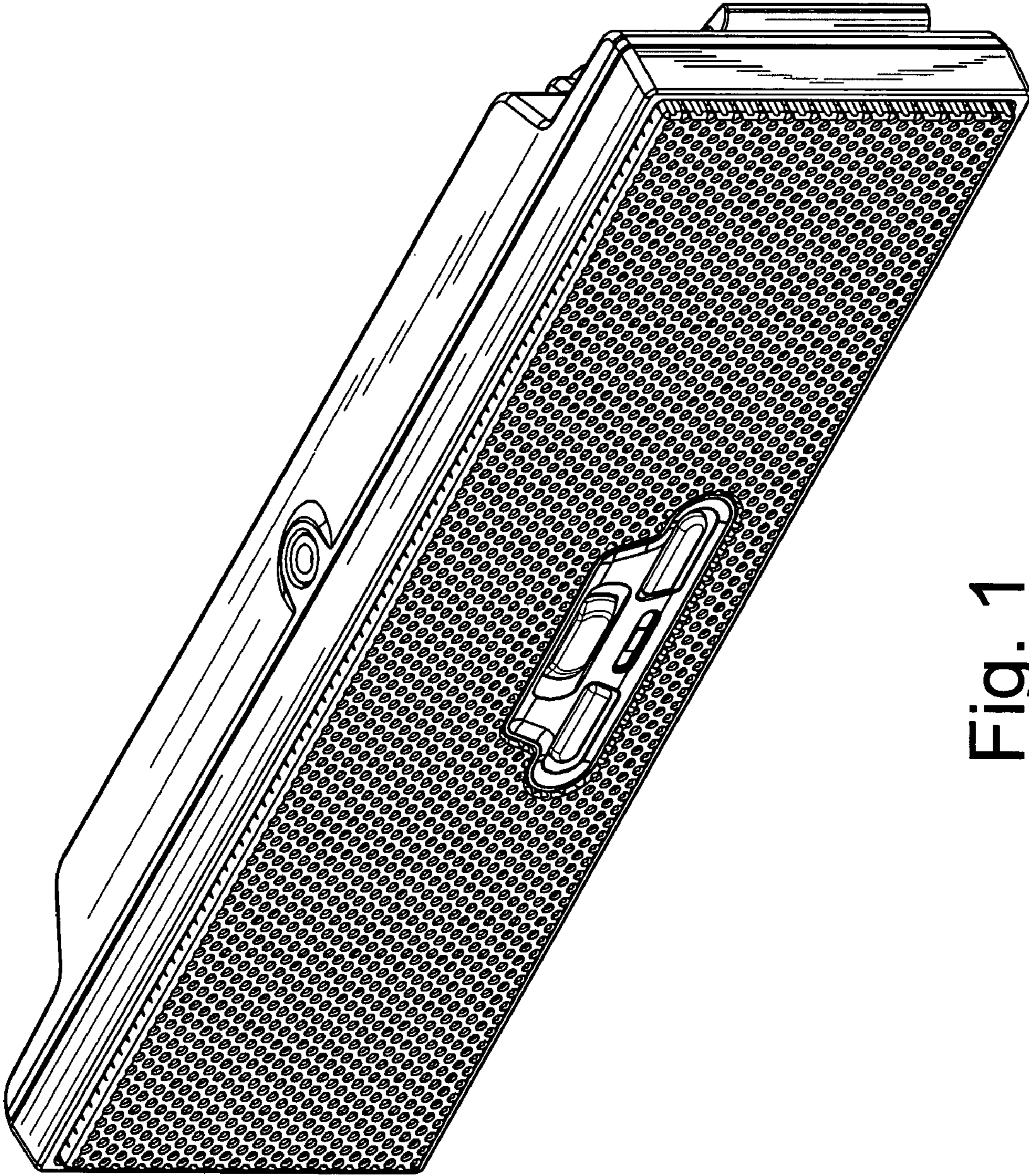


Fig. 1

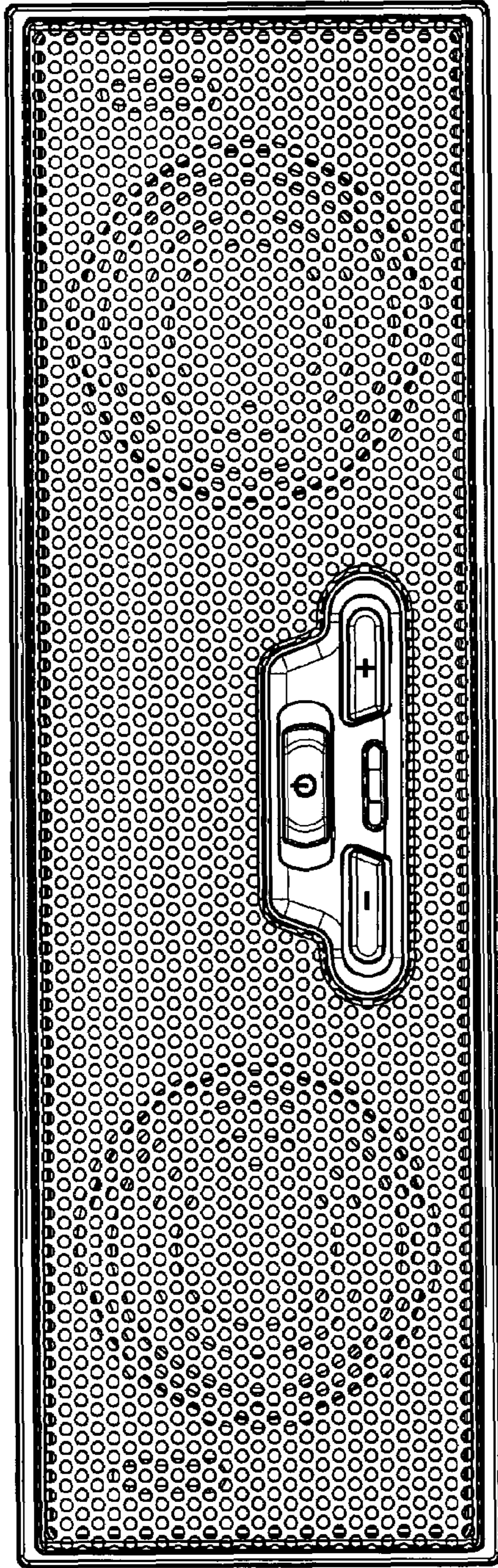


Fig. 2

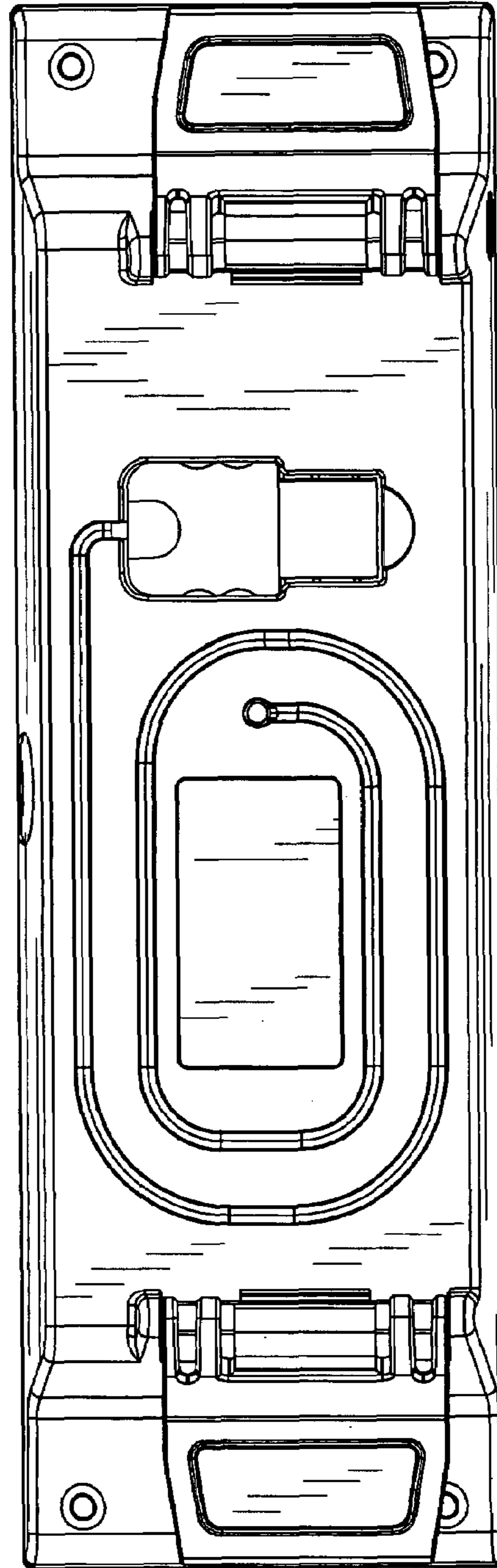


Fig. 3

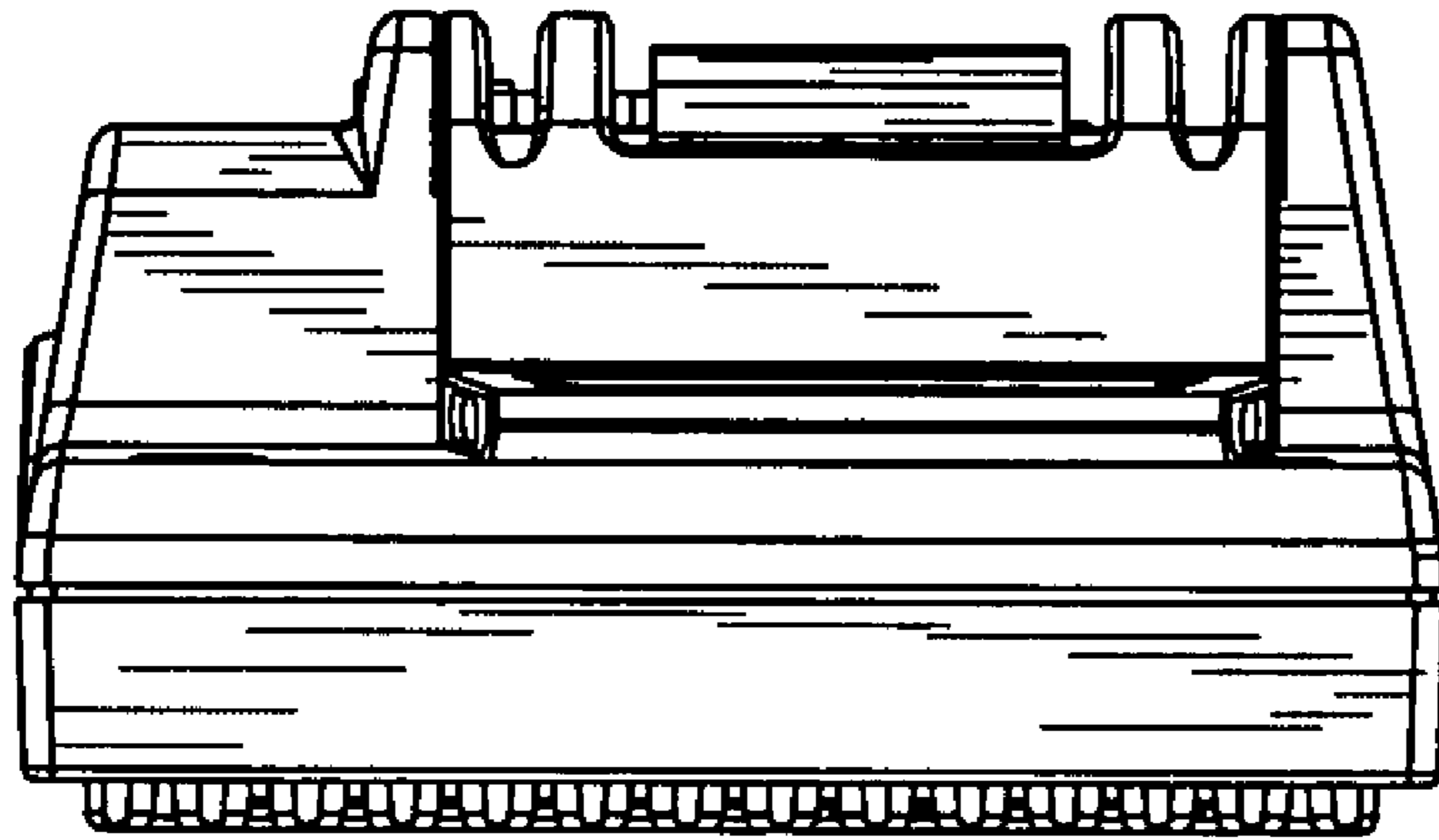


Fig. 5

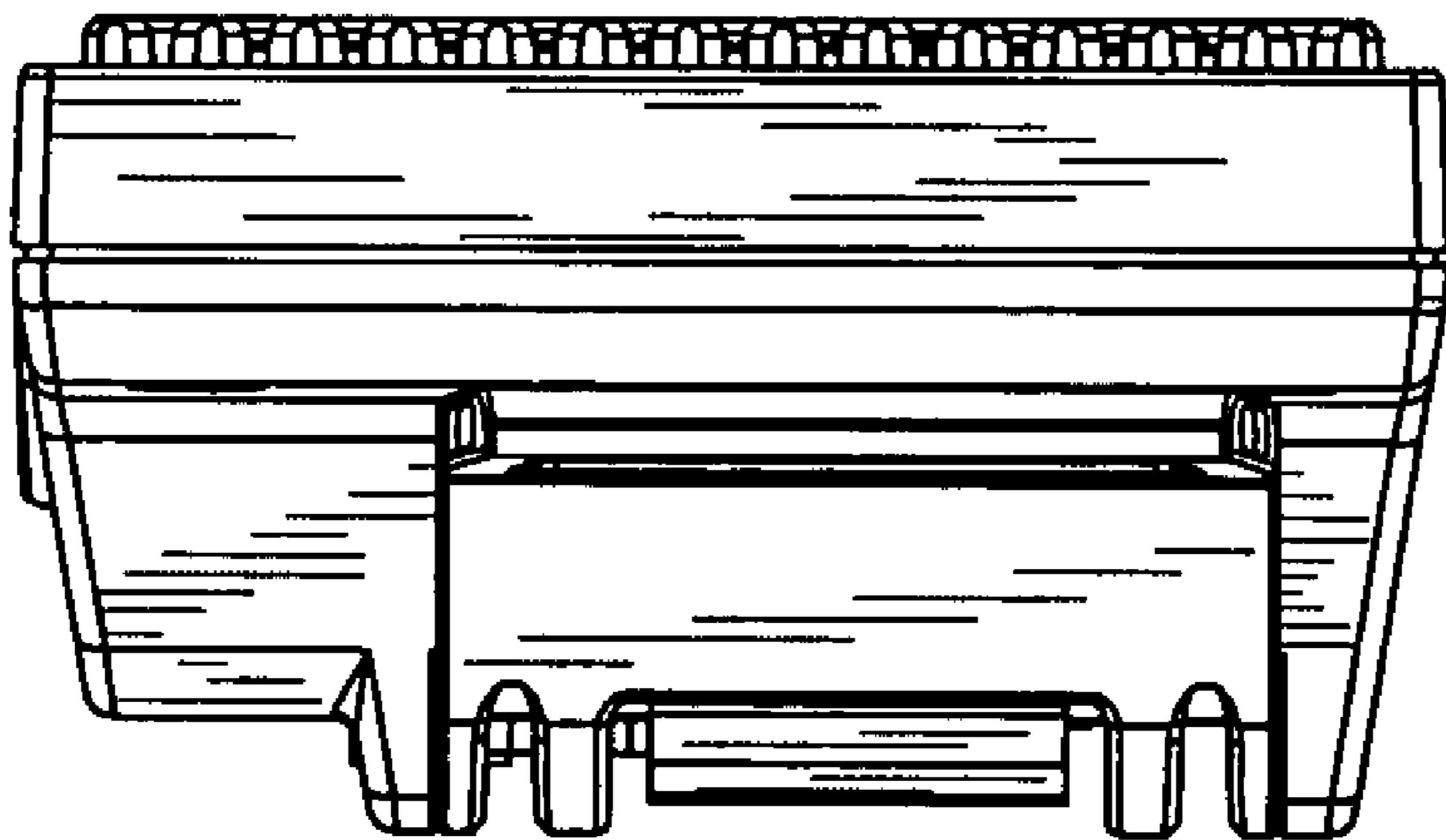


Fig. 4

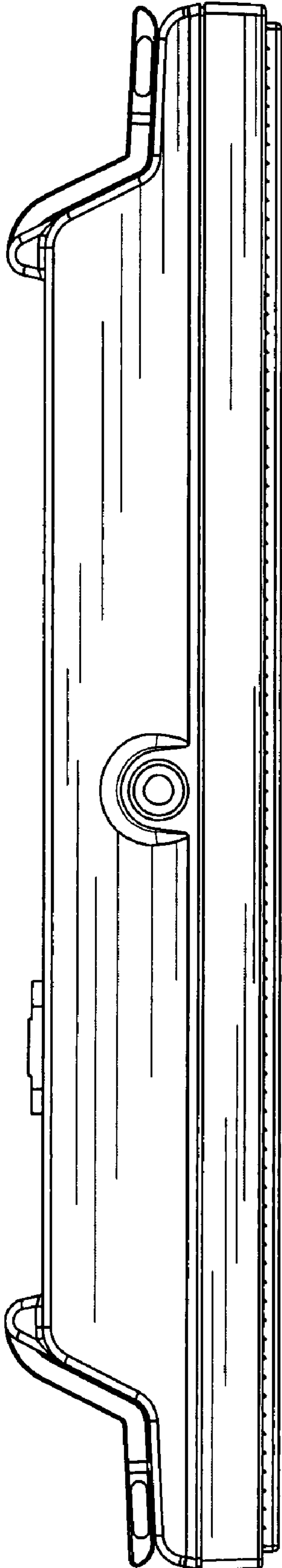


Fig. 6



Fig. 7