

US00D561173S

(12) **United States Design Patent**
Kobayashi et al.

(10) **Patent No.:** **US D561,173 S**
(45) **Date of Patent:** **** Feb. 5, 2008**

(54) **SPEAKER BOX**

D512,986 S 12/2005 Lee et al.
D522,492 S * 6/2006 Carbone D14/211

(75) Inventors: **Mitsuji Kobayashi**, Kadoma (JP);
Takao Yoshioka, Kadoma (JP)

FOREIGN PATENT DOCUMENTS

(73) Assignee: **Matsushita Electric Industrial Co., Ltd.**, Osaka (JP)

JP D1225162 * 12/2004

(**) Term: **14 Years**

OTHER PUBLICATIONS

(21) Appl. No.: **29/270,177**

Monster, LLC, "M-Design—Home Theater Never Looked This Good", M-Design, 2004, 3 pages.
Panasonic, "05 Home Theater—SBTP70", Panasonic, 2005, 4 pages.

(22) Filed: **Dec. 18, 2006**

* cited by examiner

(30) **Foreign Application Priority Data**

Primary Examiner—Nanda Bondade

Jun. 20, 2006 (JP) 2006-015914
Jun. 20, 2006 (JP) 2006-015915
Jun. 20, 2006 (JP) 2006-015916

(74) *Attorney, Agent, or Firm*—Brinks Hofer Gilson & Lione

(51) **LOC (8) Cl.** **14-01**

(52) **U.S. Cl.** **D14/211**

(58) **Field of Classification Search** D14/204,
D14/209–216; 181/143–144, 147–148, 150,
181/157, 198–199, 151, 153; 381/300–302,
381/306, 333, 345, 361–364, 386–388, 332,
381/336

(57) **CLAIM**

We claim the ornamental design for a speaker box, as shown and described.

See application file for complete search history.

DESCRIPTION

(56) **References Cited**

U.S. PATENT DOCUMENTS

3,059,720 A 10/1962 Matsuoka
D278,901 S 5/1985 Murphy
4,588,042 A 5/1986 Palet et al.
D347,225 S 5/1994 Lowy et al.
D354,750 S 1/1995 Lewis
D356,088 S 3/1995 Jewitt et al.
D358,819 S 5/1995 Rozier et al.
D401,584 S 11/1998 Lewis
D434,026 S 11/2000 Lewis
D457,875 S 5/2002 Joe
D461,177 S * 8/2002 Hisatsune D14/211
D471,891 S 3/2003 Oikawa
D475,991 S 6/2003 Hisatsune
D496,349 S * 9/2004 Allen D14/211

FIG. 1 is a top perspective view of a first embodiment of a speaker box of the present invention;
FIG. 2 is a front view thereof;
FIG. 3 is a first side view thereof;
FIG. 4 is a second side view thereof;
FIG. 5 is a rear view thereof;
FIG. 6 is a top view thereof;
FIG. 7 is a bottom view thereof;
FIG. 8 is a top perspective view of a second embodiment of a speaker box of the present invention;
FIG. 9 is a front view thereof;
FIG. 10 is a first side view thereof;
FIG. 11 is a second side view thereof;
FIG. 12 is a rear view thereof;
FIG. 13 is a top view thereof; and,
FIG. 14 is a bottom view thereof.

1 Claim, 8 Drawing Sheets

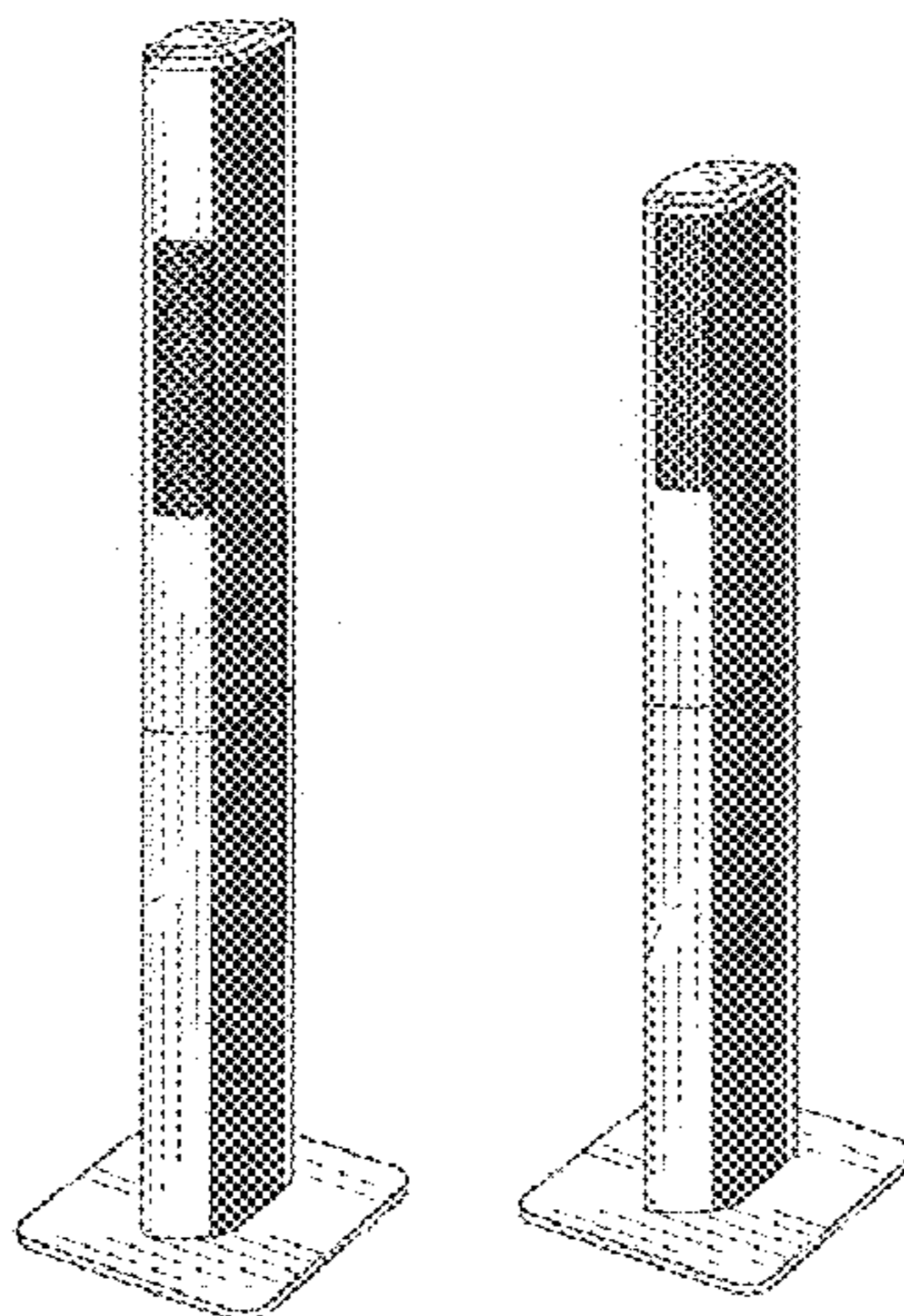


FIG. 1

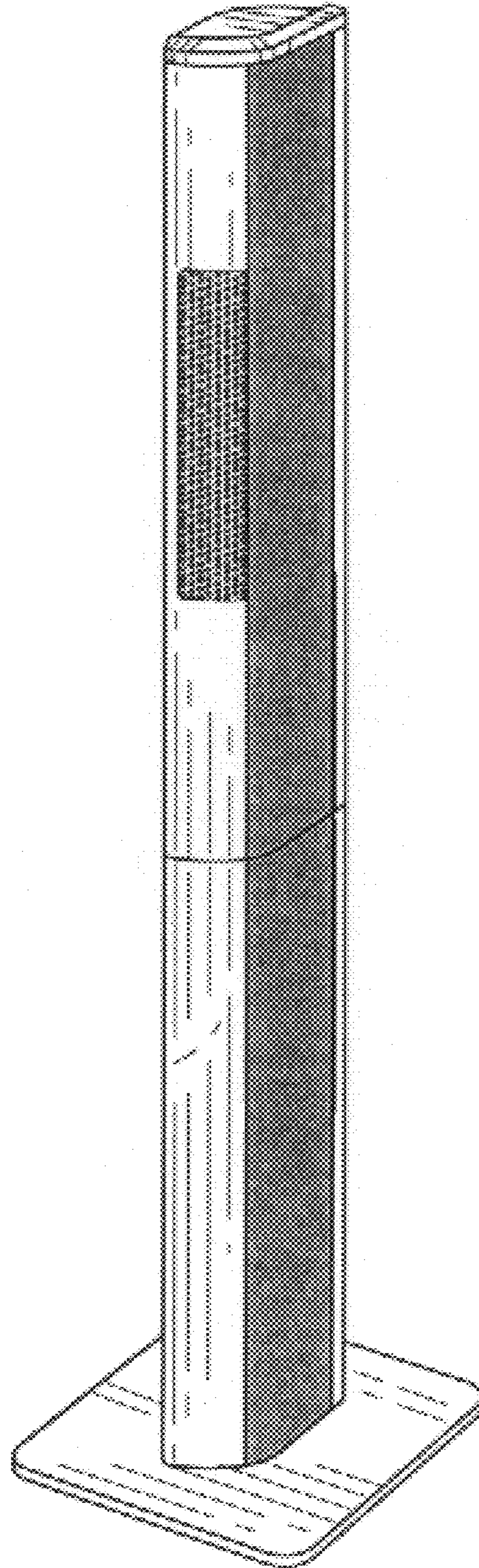


FIG.2

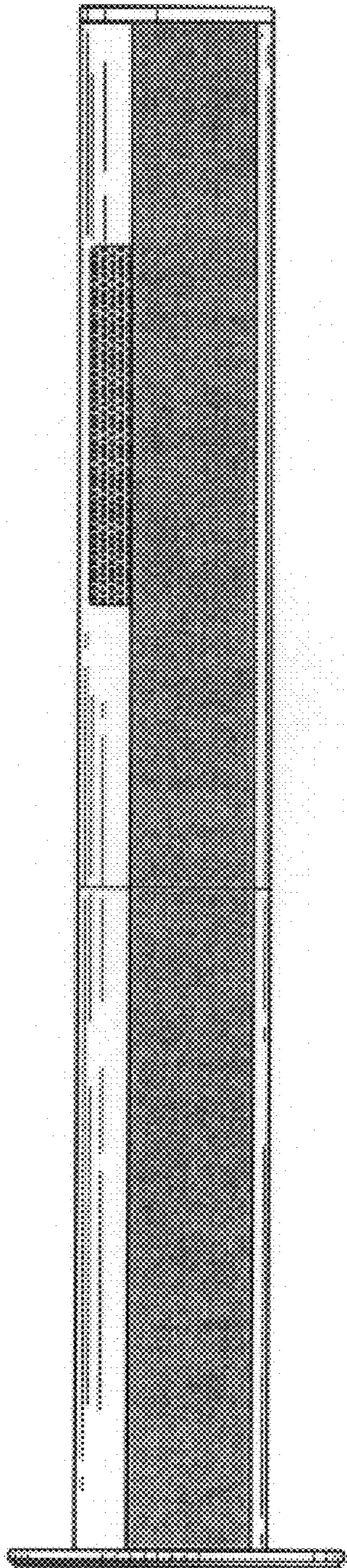


FIG.3

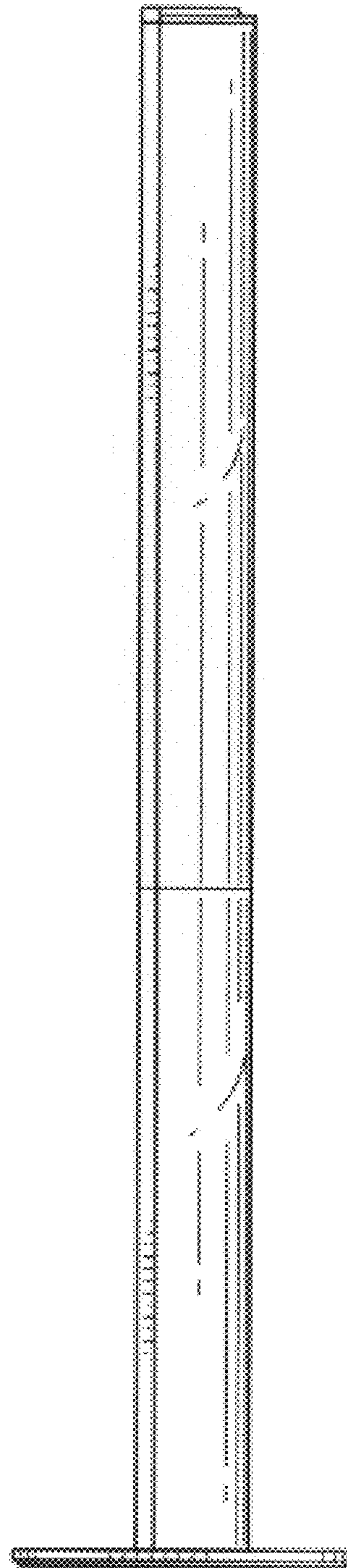


FIG.4

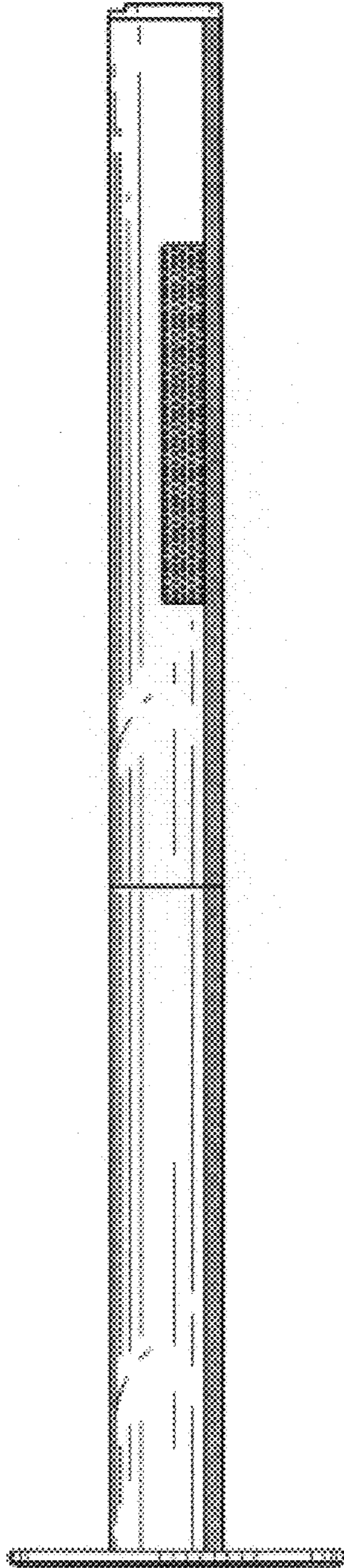


FIG.5

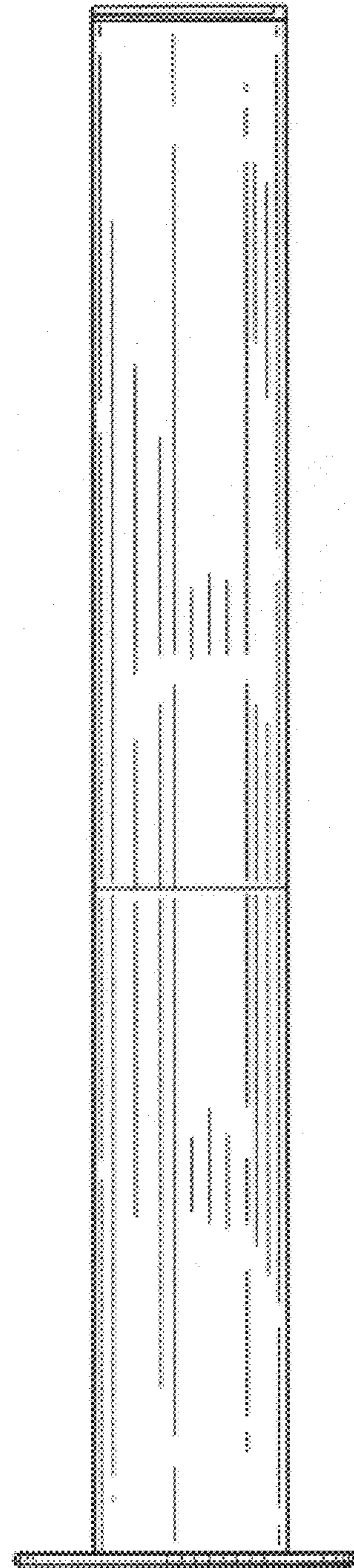


FIG.6

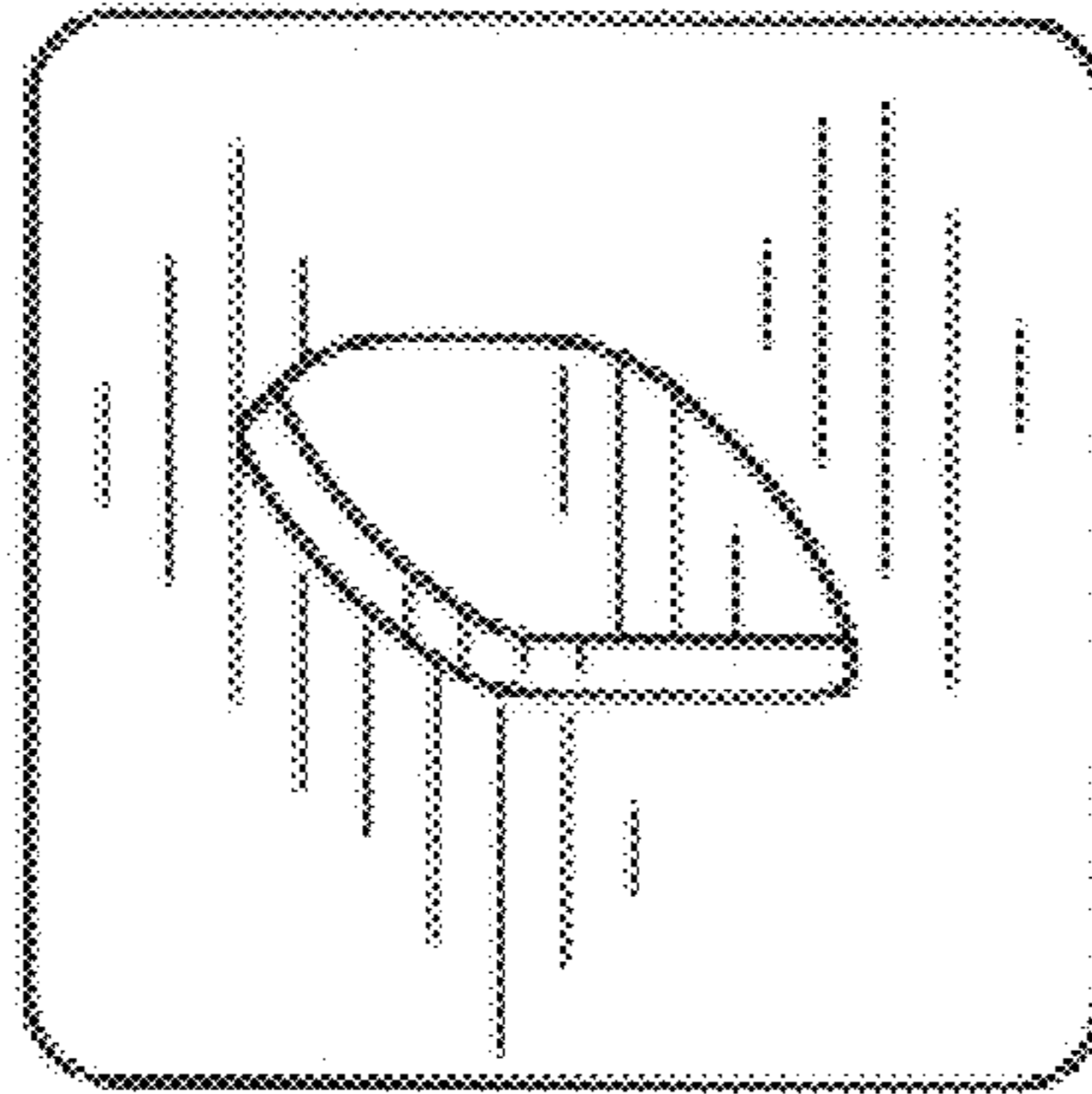


FIG.7

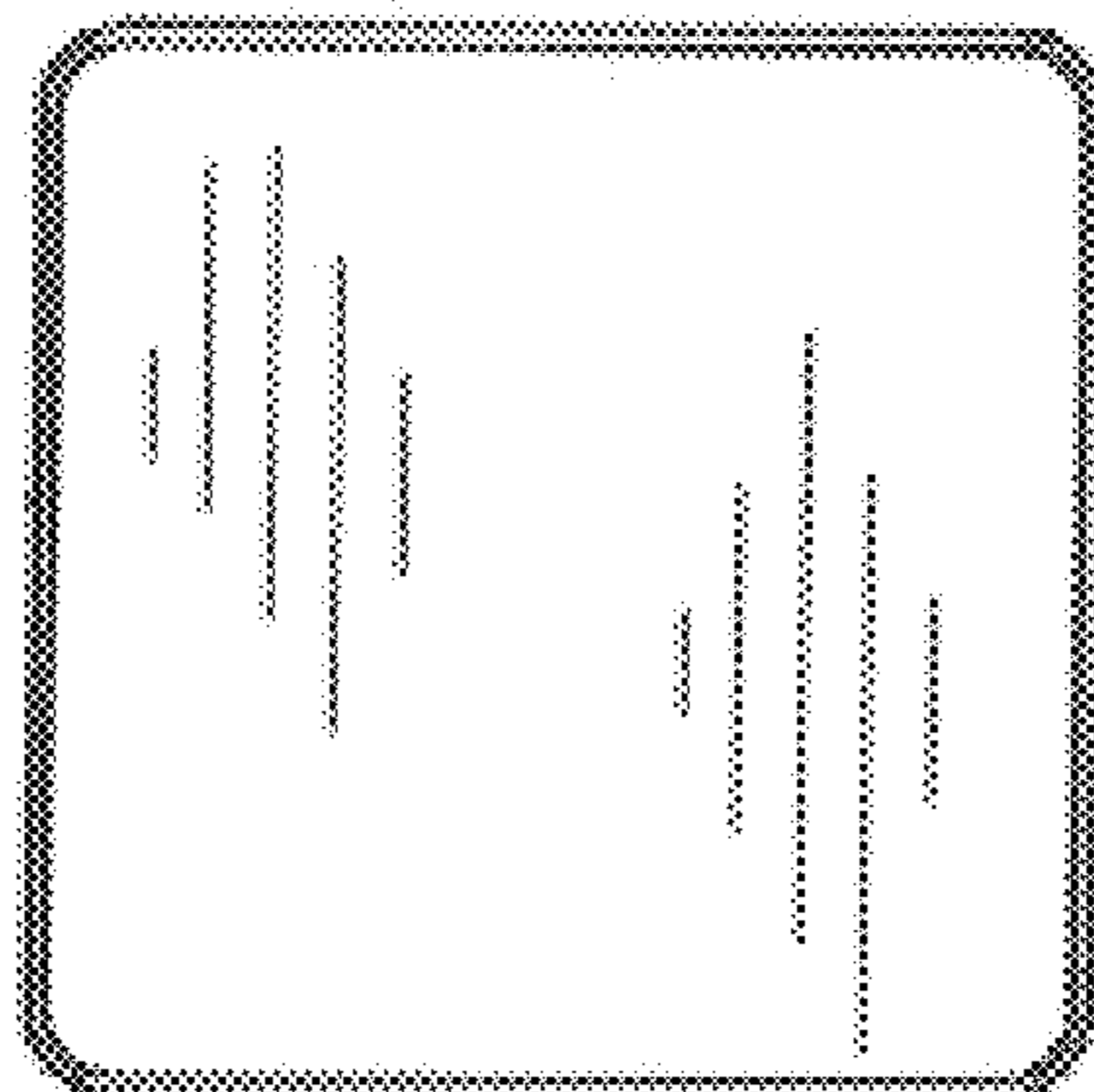


FIG. 8

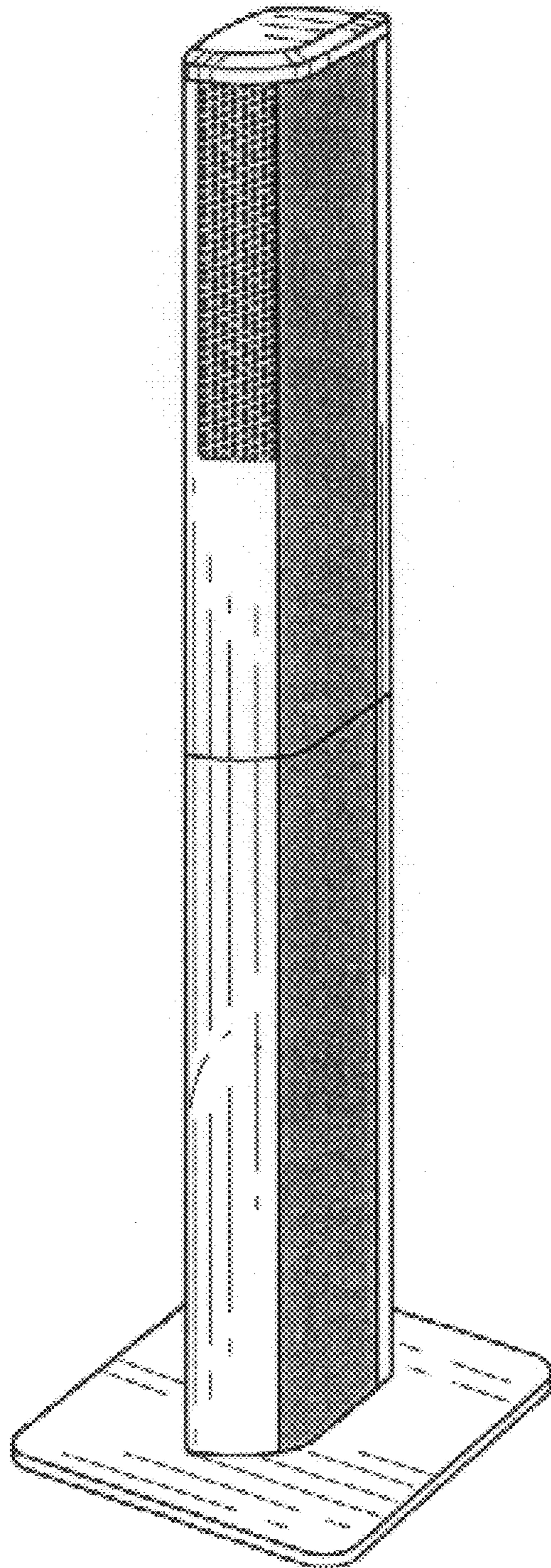


FIG.9

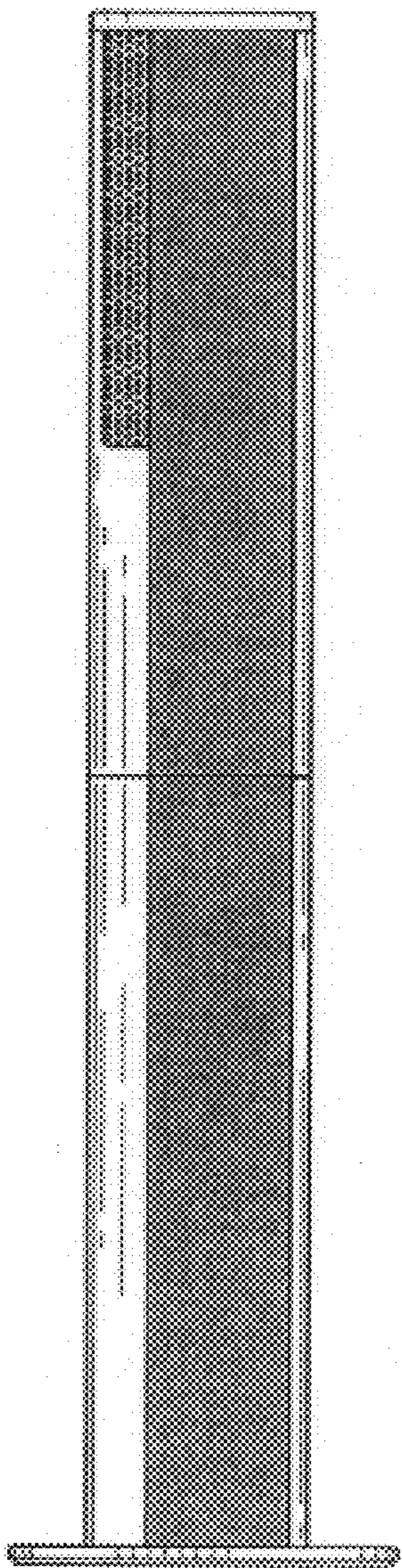


FIG.10

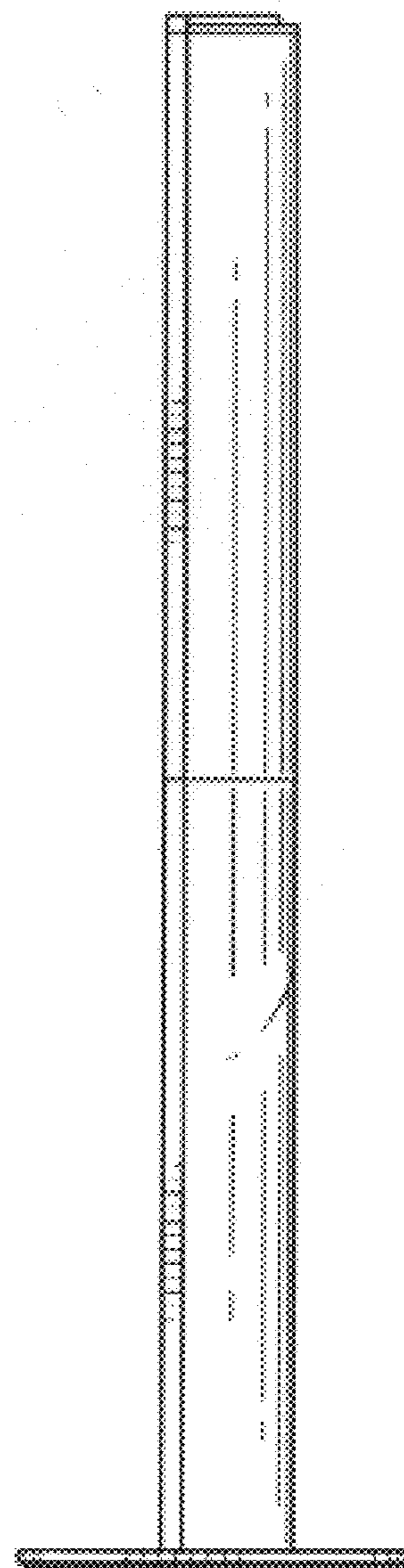


FIG. 11

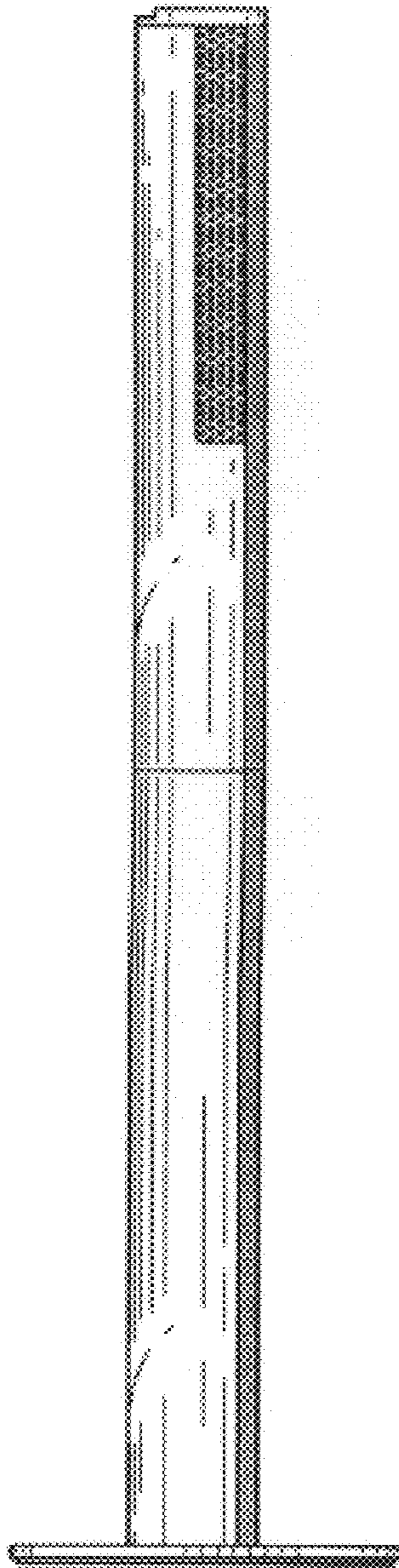


FIG. 12

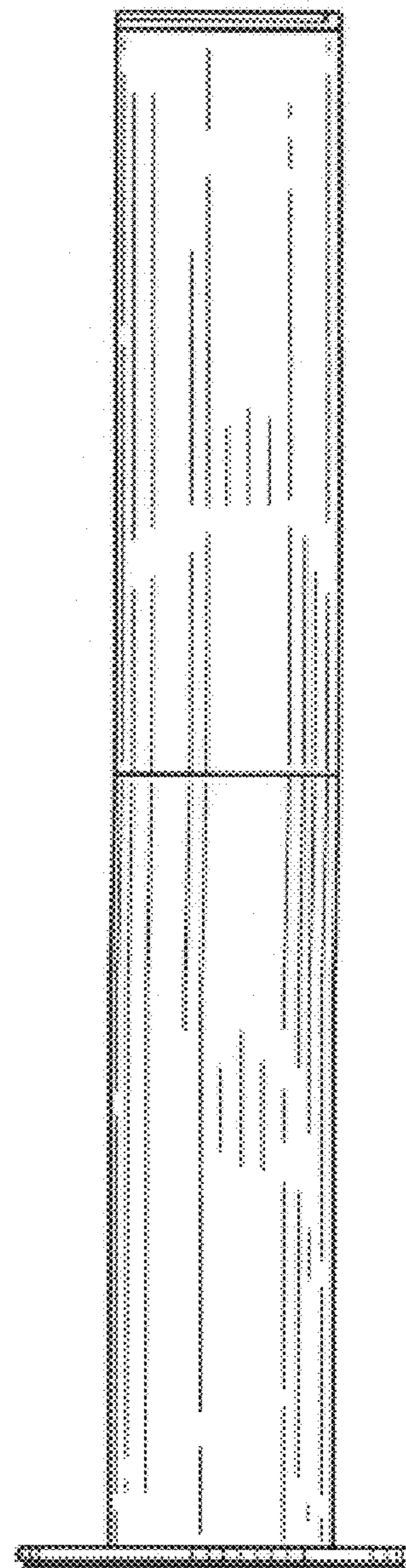


FIG. 13

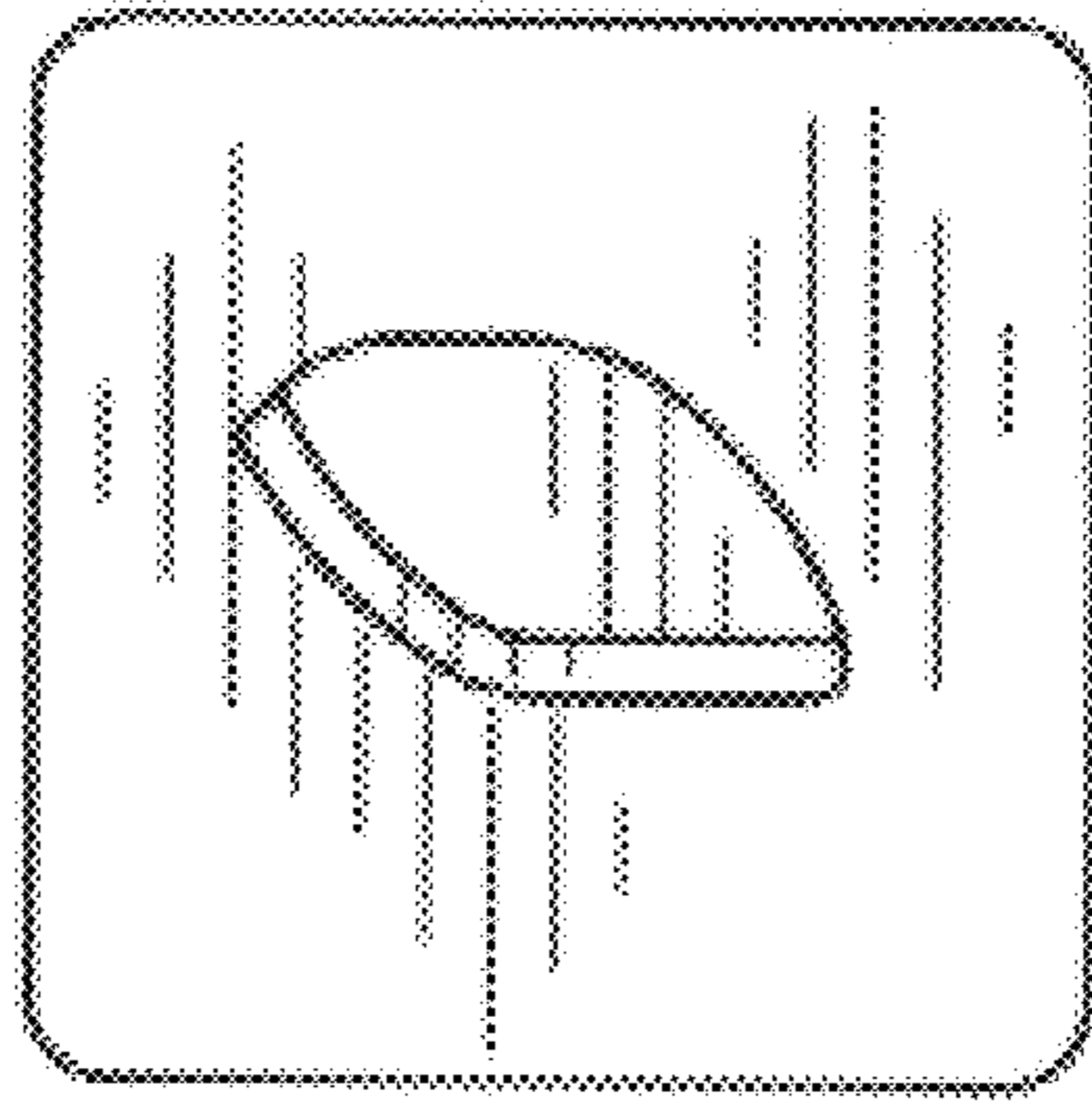


FIG. 14

