



US00D561172S

(12) **United States Design Patent**
Seo et al.

(10) **Patent No.:** **US D561,172 S**

(45) **Date of Patent:** **** Feb. 5, 2008**

(54) **SPEAKER**

D478,891 S * 8/2003 Hisatsune D14/211
D511,339 S * 11/2005 Tsuge D14/214
D520,494 S * 5/2006 Aiba et al. D14/214

(75) Inventors: **Young Kook Seo**, Bucheon-si (KR); **Il Soo Yeom**, Seoul (KR)

(73) Assignee: **LG Electronics Inc.**, Seoul (KR)

* cited by examiner

(**) Term: **14 Years**

Primary Examiner—Nanda Bondade

(21) Appl. No.: **29/264,133**

(74) *Attorney, Agent, or Firm*—Birch, Stewart, Kolasch & Birch, LLP

(22) Filed: **Aug. 4, 2006**

(57) **CLAIM**

(30) **Foreign Application Priority Data**

The ornamental design for a speaker, as shown.

Feb. 7, 2006 (KR) 30-2006-0004466

DESCRIPTION

(51) **LOC (8) Cl.** **14-01**

(52) **U.S. Cl.** **D14/211; D14/214**

(58) **Field of Classification Search** D14/204,
D14/209–216; 181/143–144, 147–148, 150,
181/157, 198–199, 151, 153; 381/300–302,
381/306, 333, 345, 361–364, 386–388, 332,
381/336

FIG. 1 is a front, right perspective view of the speaker showing our new design;

FIG. 2 is a front view thereof;

FIG. 3 is a rear view thereof;

FIG. 4 is a left side view thereof;

FIG. 5 is a right side view thereof;

FIG. 6 is a top plan view thereof; and,

FIG. 7 is a bottom plan view thereof.

See application file for complete search history.

(56) **References Cited**

U.S. PATENT DOCUMENTS

D270,052 S * 8/1983 Weiman D14/211

1 Claim, 3 Drawing Sheets

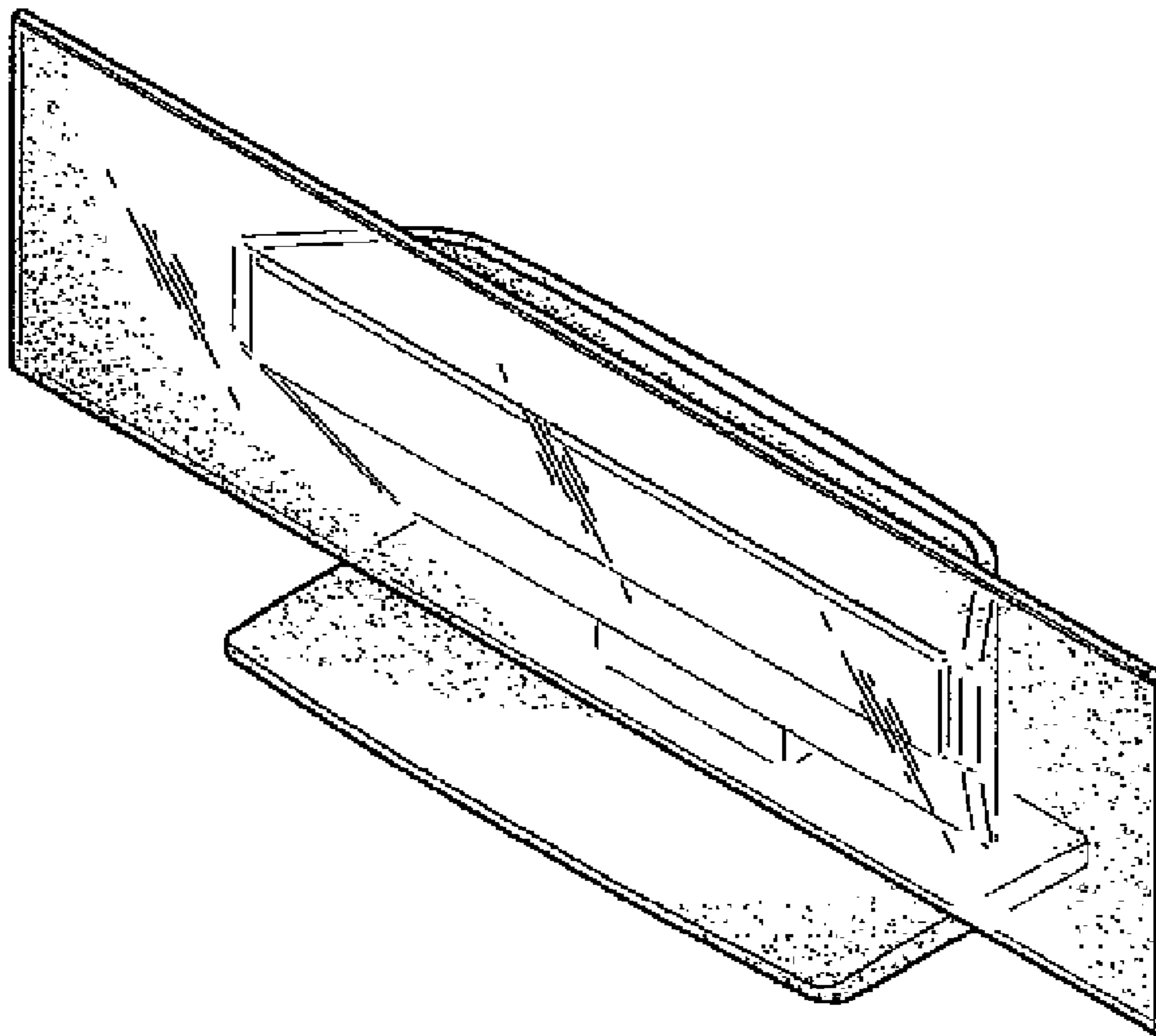


FIG. 1

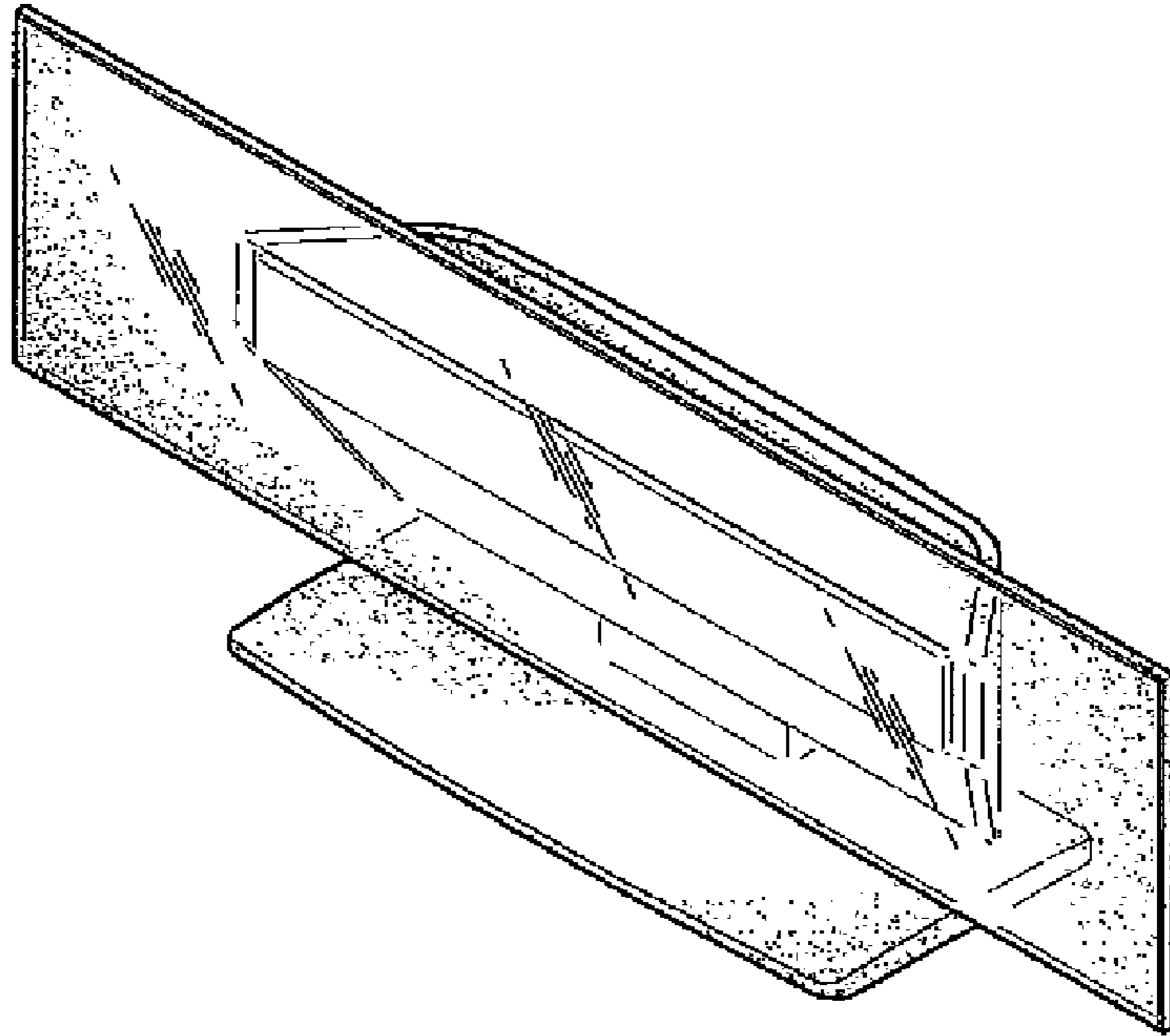


FIG. 2

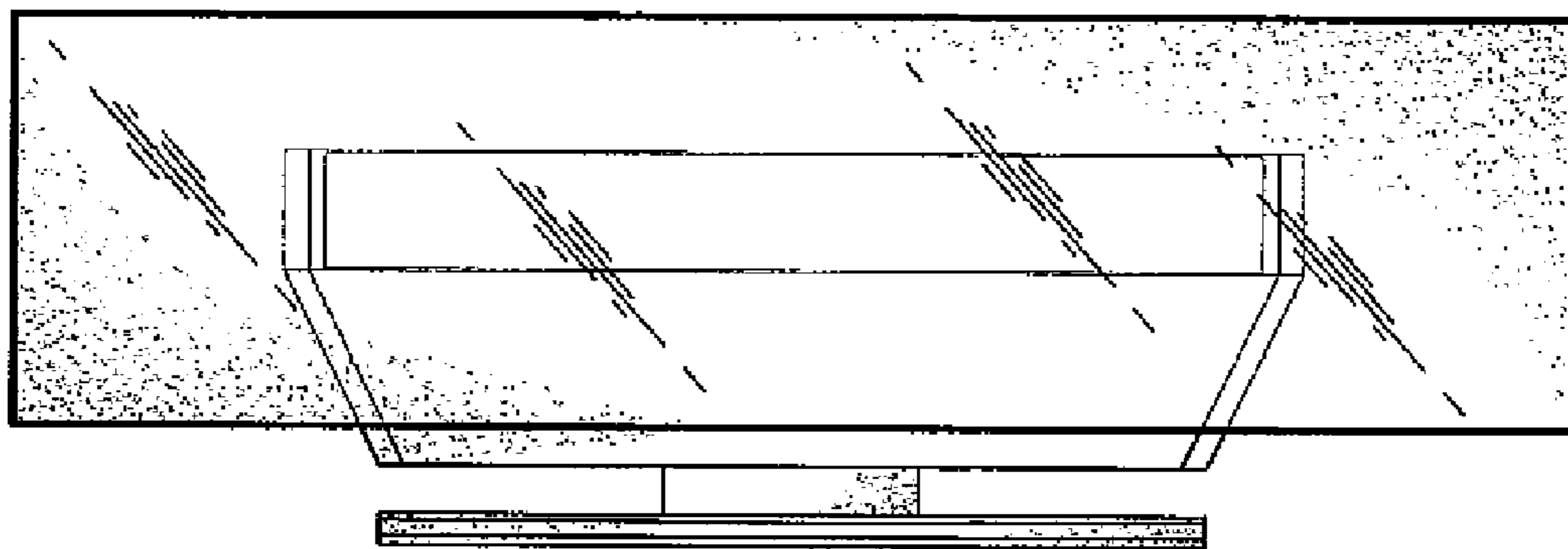


FIG. 3

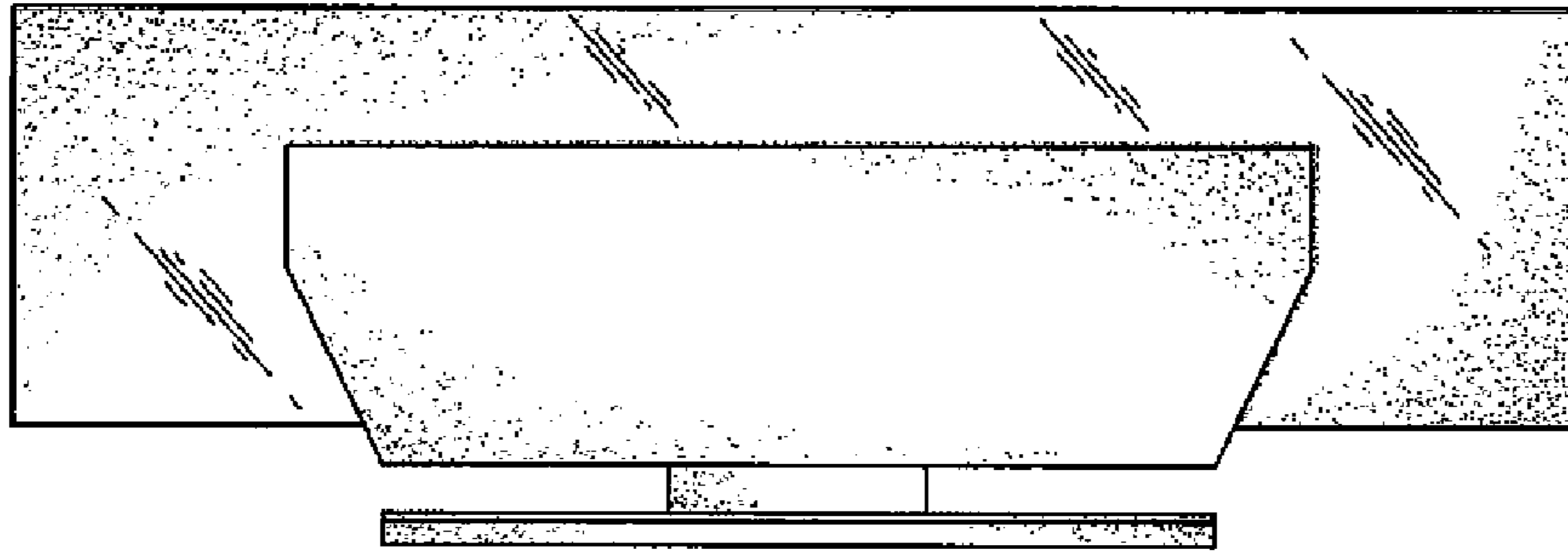


FIG. 4

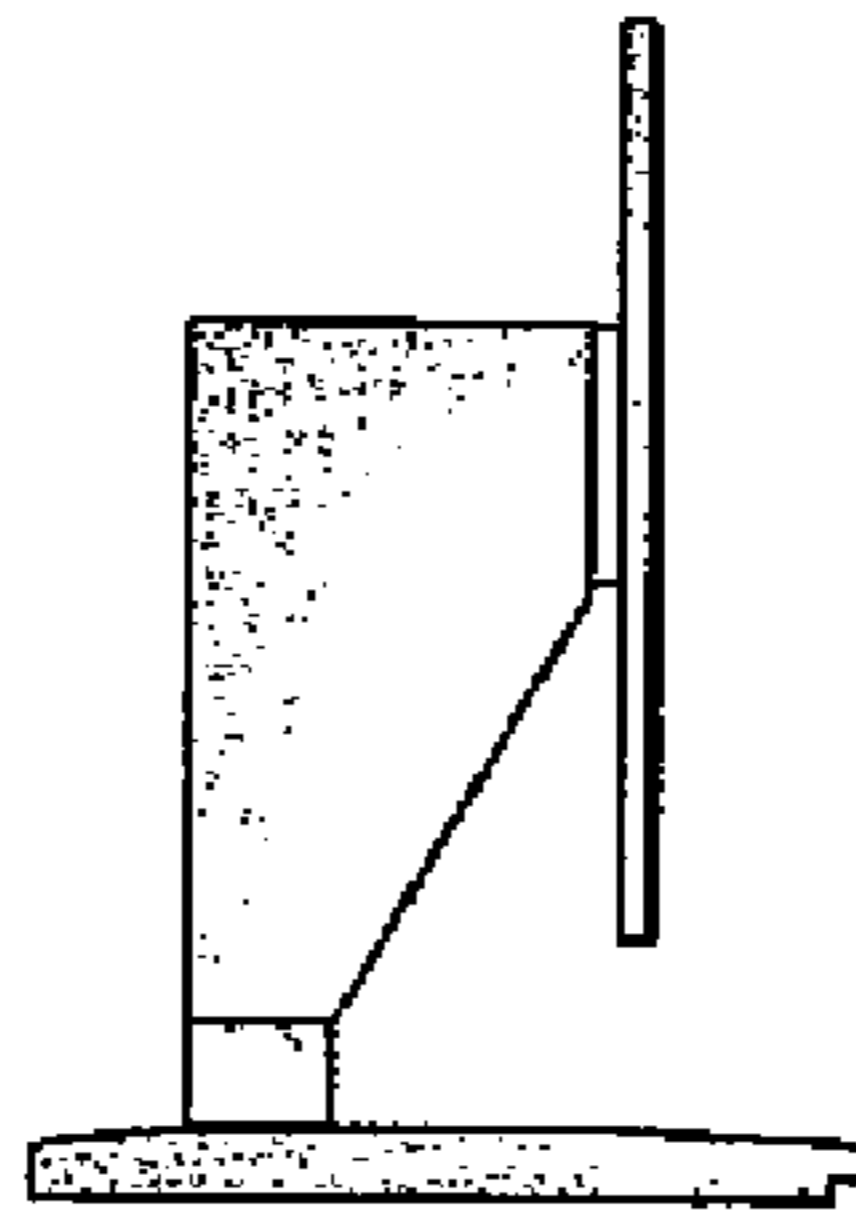


FIG. 5

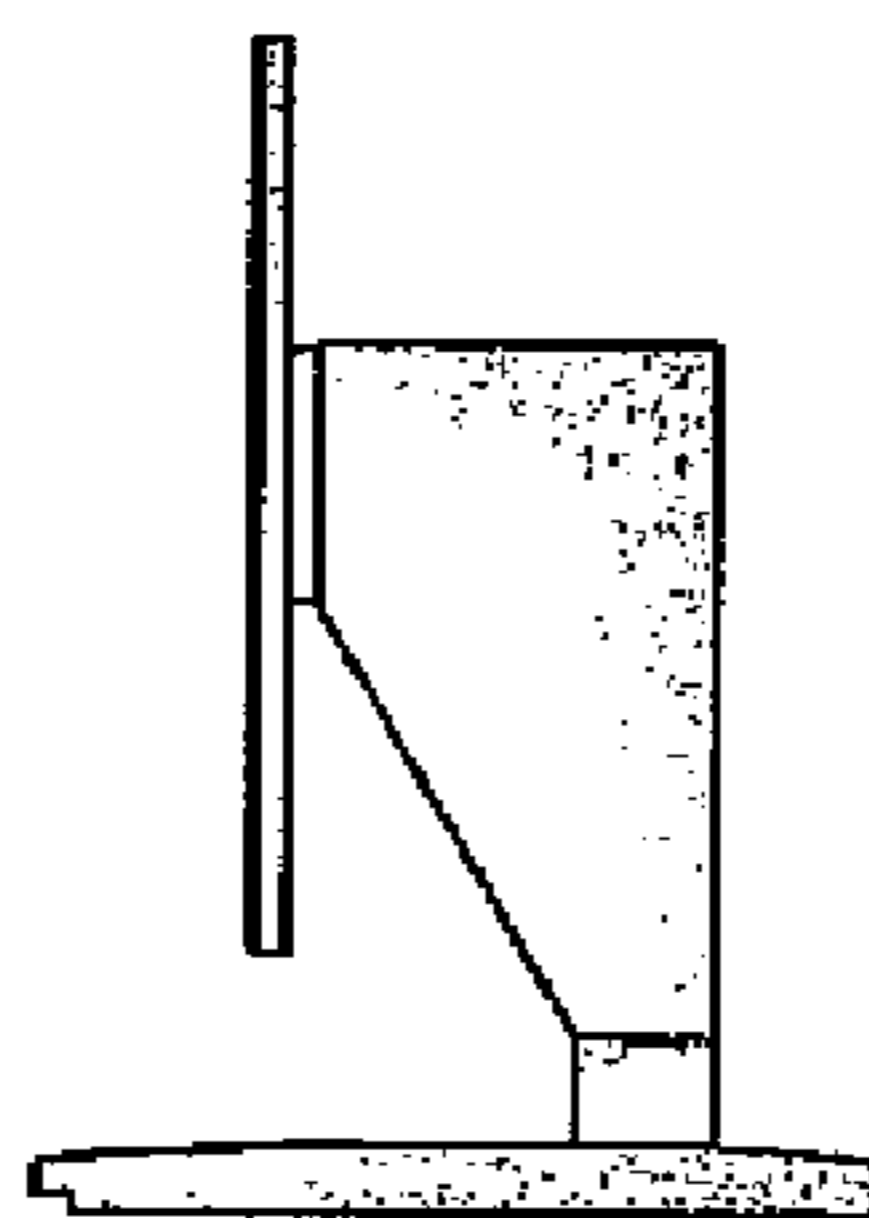


FIG. 6

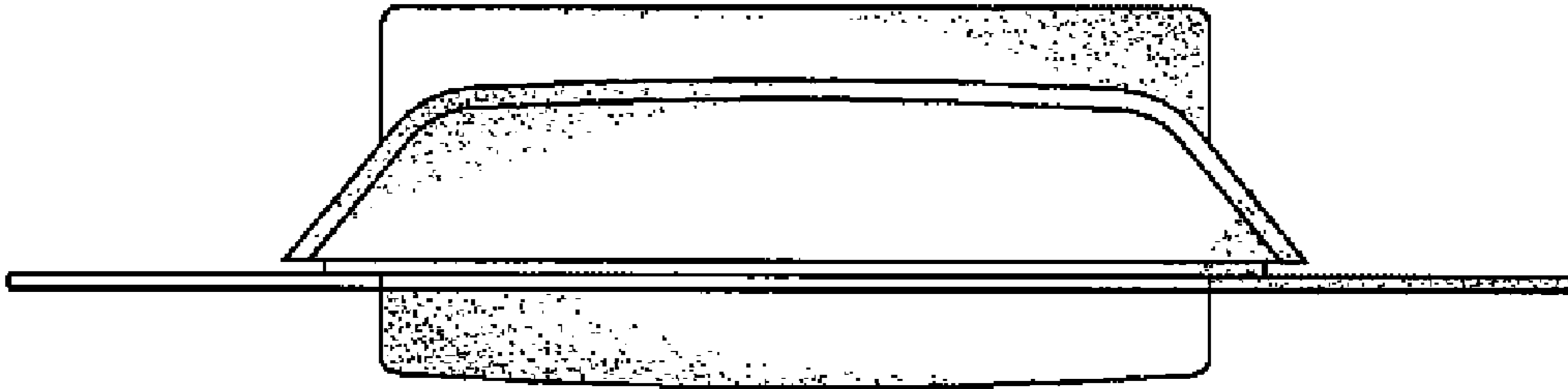


FIG. 7

