

US00D561170S

(12) **United States Design Patent**
Koike

(10) **Patent No.:** **US D561,170 S**

(45) **Date of Patent:** **** Feb. 5, 2008**

(54) **PASSIVE RADIATOR**

(75) Inventor: **Toshiyuki Koike**, Kadoma (JP)

(73) Assignee: **Matsushita Electric Industrial Co., Ltd.**, Osaka (JP)

(**) Term: **14 Years**

(21) Appl. No.: **29/264,750**

(22) Filed: **Aug. 17, 2006**

(51) **LOC (8) Cl.** **14-01**

(52) **U.S. Cl.** **D14/204**

(58) **Field of Classification Search** D14/204,
D14/209–216; 181/143–144, 147–148, 150,
181/157, 198–199, 151, 153; 381/300–302,
381/306, 333, 345, 361–364, 386–388, 332,
381/336

See application file for complete search history.

(56) **References Cited**

U.S. PATENT DOCUMENTS

- 4,829,581 A * 5/1989 Nieuwendijk et al. 381/186
- D425,897 S * 5/2000 Cho D14/214
- D461,790 S * 8/2002 Takeshi D14/204
- D465,776 S * 11/2002 Takeshi D14/204
- D472,887 S * 4/2003 Right et al. D14/172
- 6,675,931 B2 * 1/2004 Sahyoun 181/157

D533,163 S * 12/2006 Takase et al. D14/215

FOREIGN PATENT DOCUMENTS

JP D1095406 1/2001

* cited by examiner

Primary Examiner—Nanda Bondade

(74) *Attorney, Agent, or Firm*—Brinks Hofer Gilson & Lione

(57) **CLAIM**

I claim the ornamental design for a passive radiator, as shown and described.

DESCRIPTION

FIG. 1 is a top perspective view of a passive radiator of the present invention;

FIG. 2 is a rear perspective view thereof;

FIG. 3 is a front view thereof;

FIG. 4 is a first side view thereof;

FIG. 5 is a second side view thereof;

FIG. 6 is a top view thereof;

FIG. 7 is a bottom view thereof;

FIG. 8 is a rear view thereof; and,

FIG. 9 is a cross-section view taken along the line of 9—9 of FIG. 3.

1 Claim, 4 Drawing Sheets

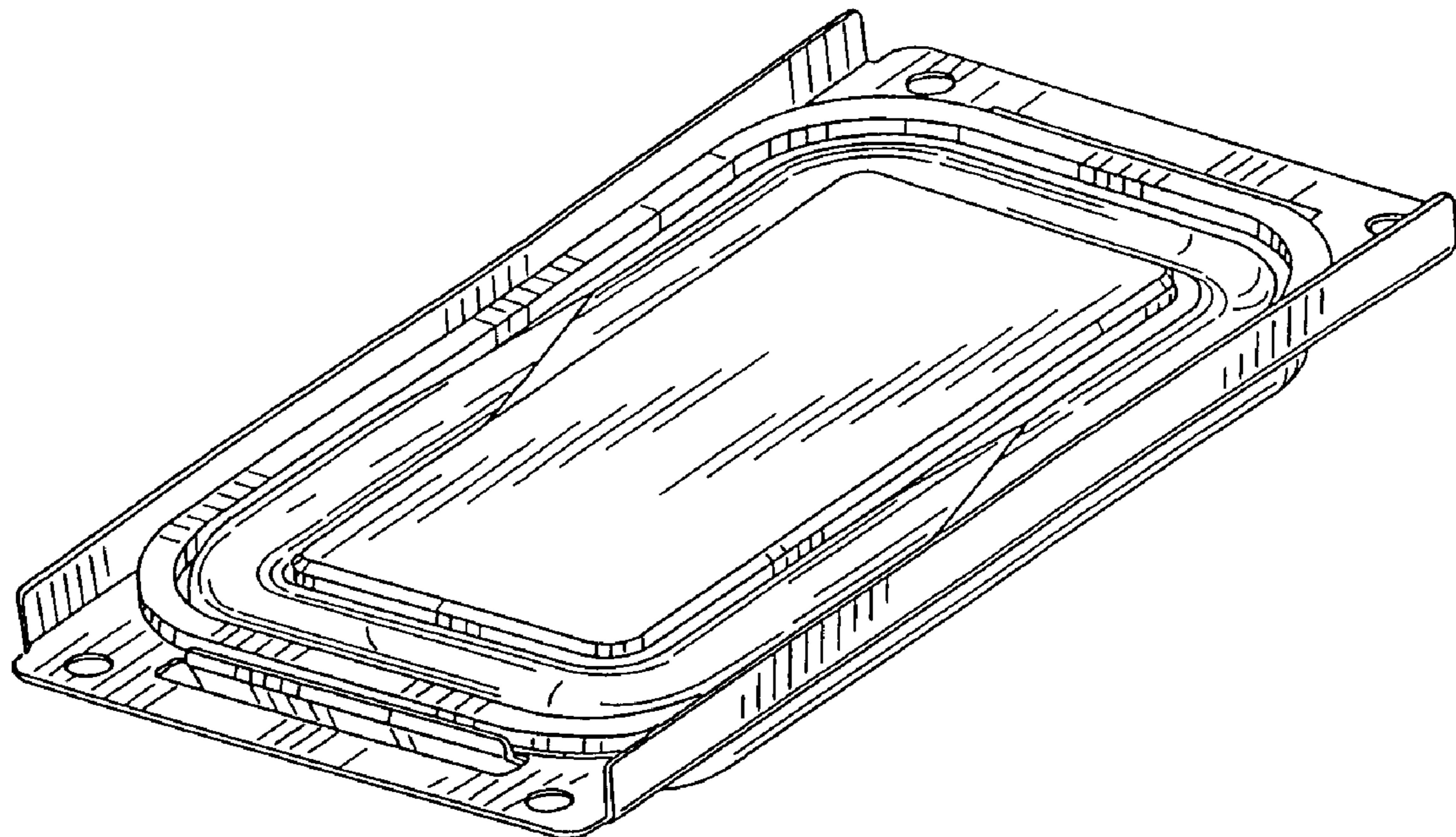


FIG.1

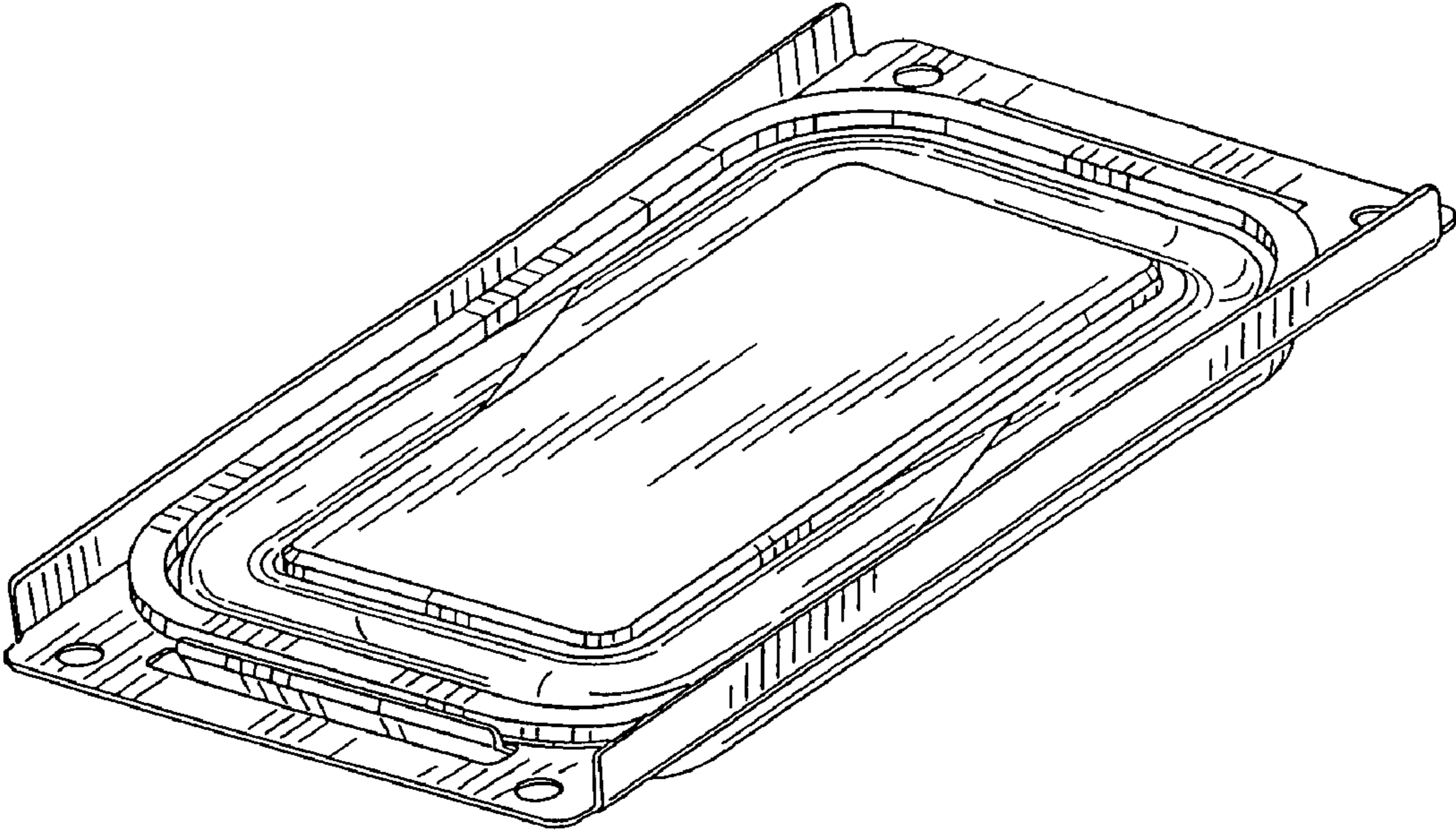


FIG.2

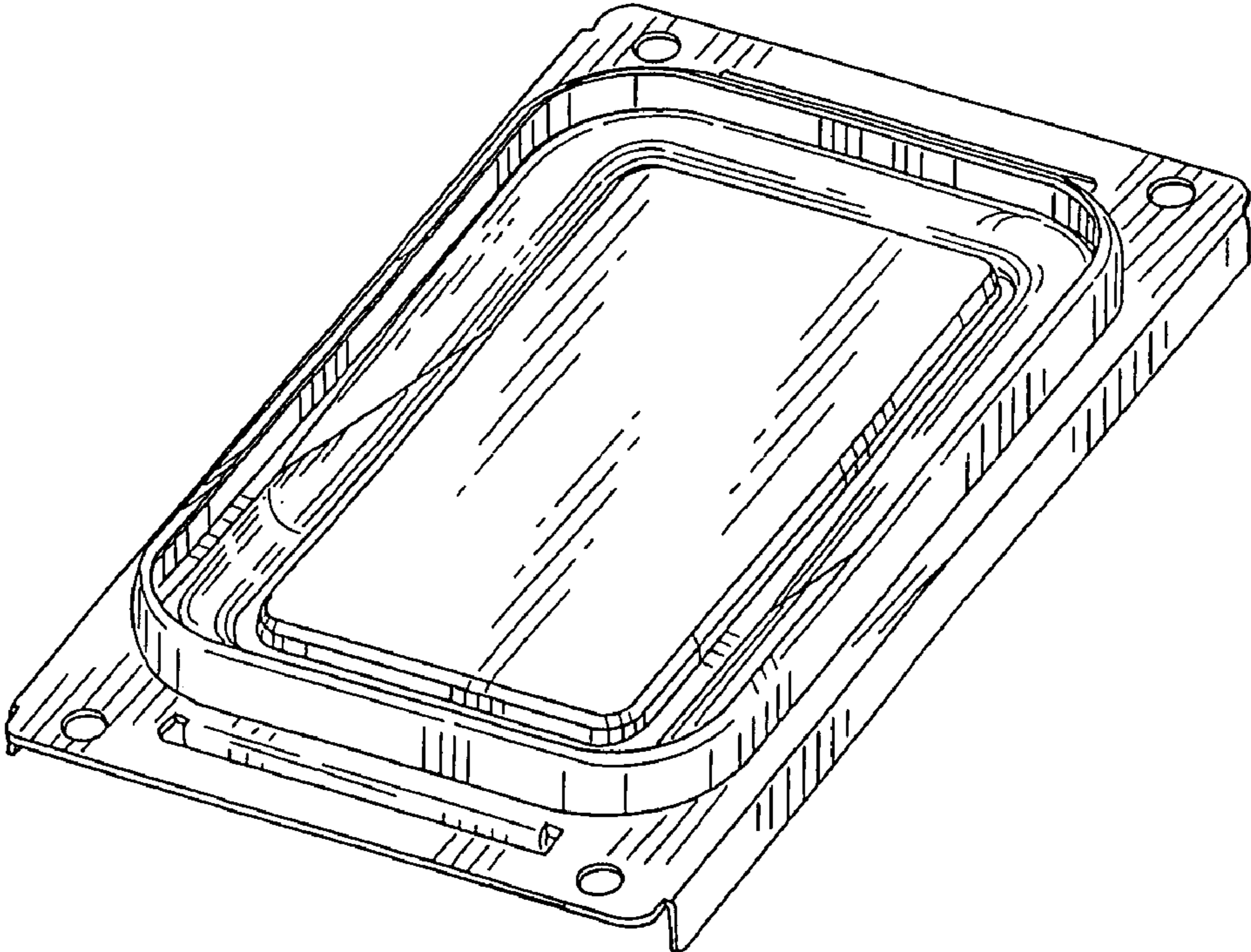


FIG.3

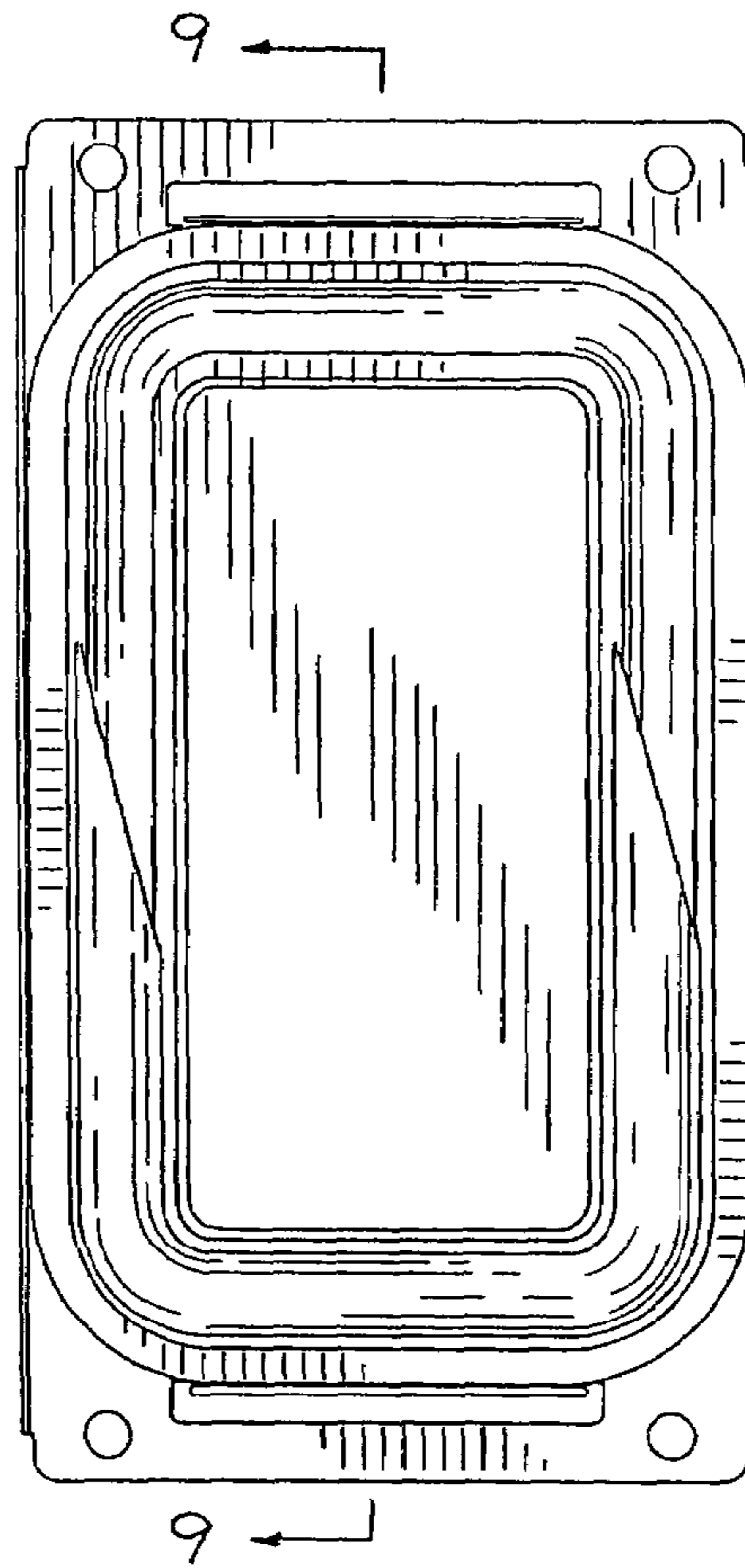


FIG.4



FIG.5

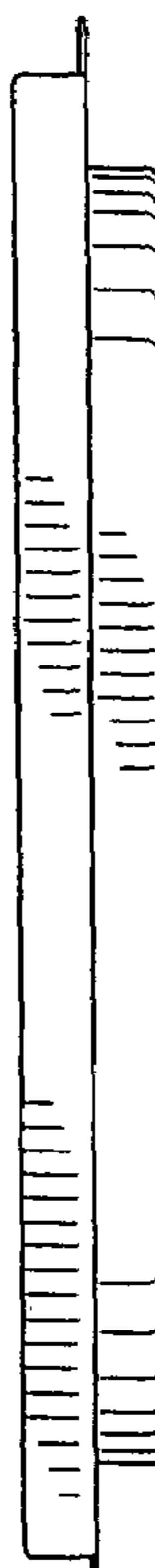


FIG.6

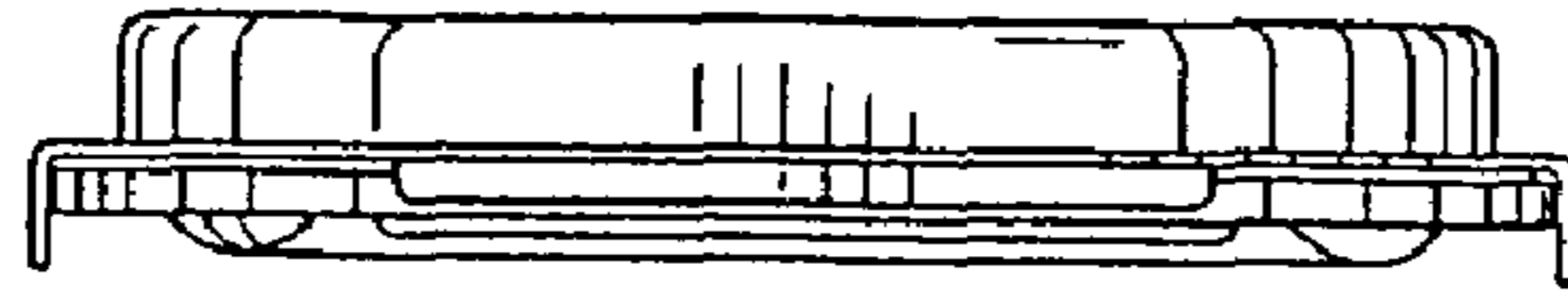


FIG.7

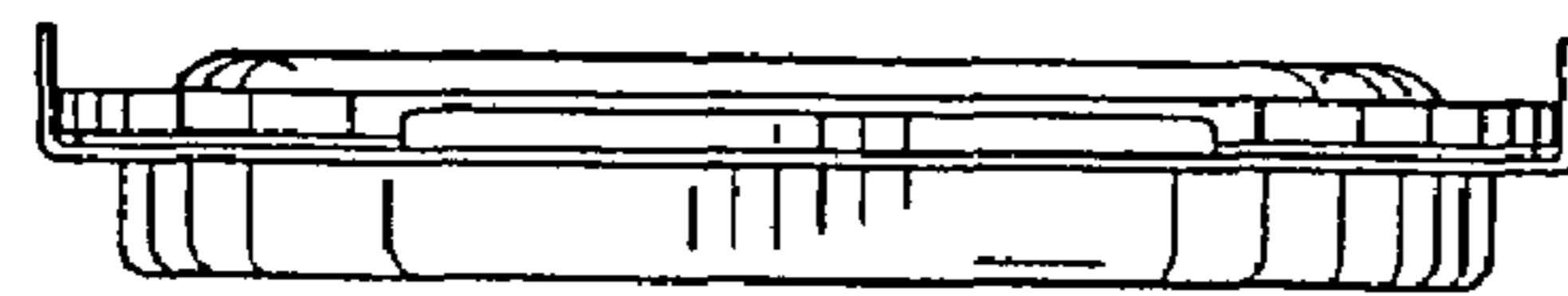
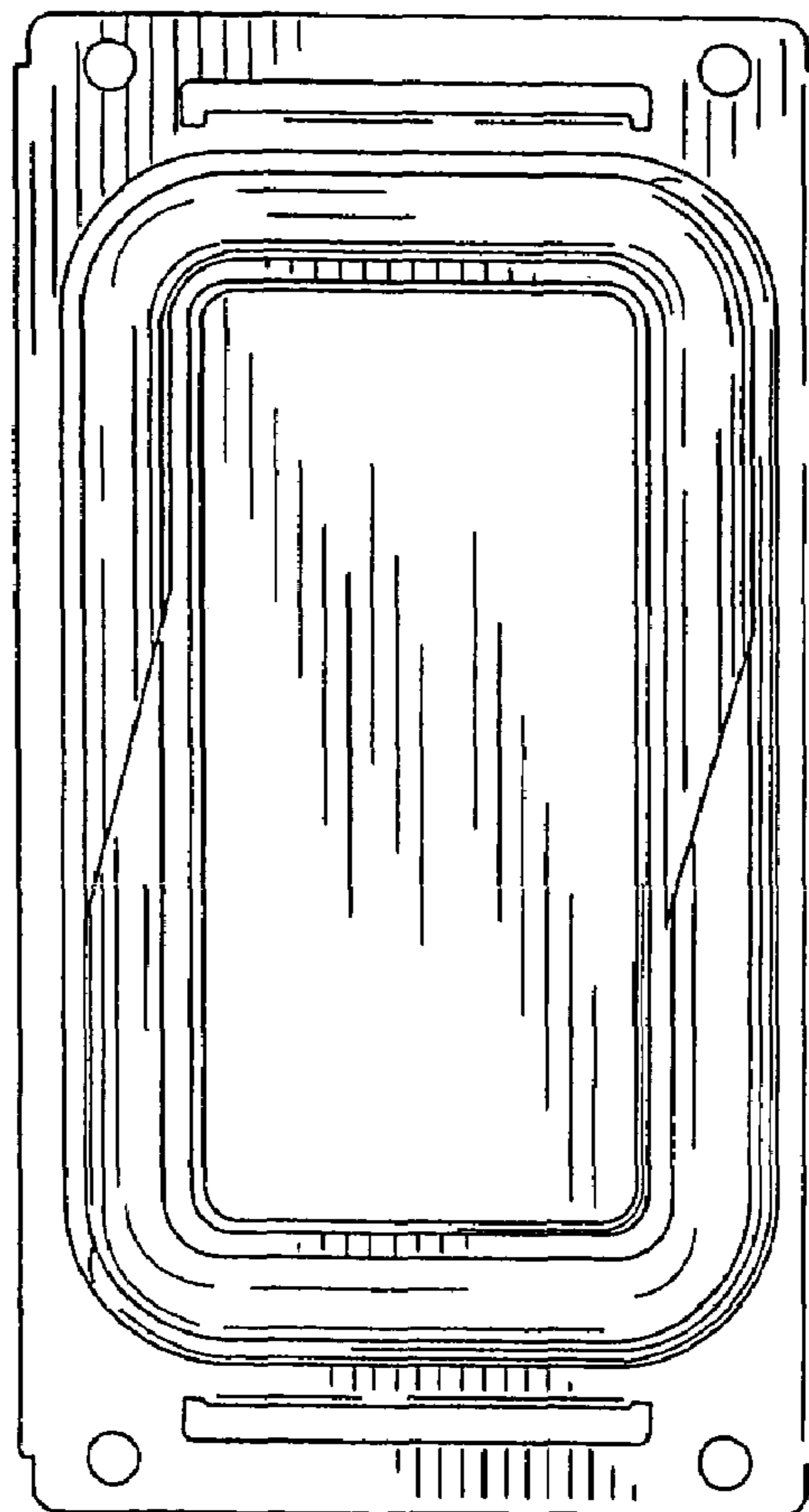


FIG.8



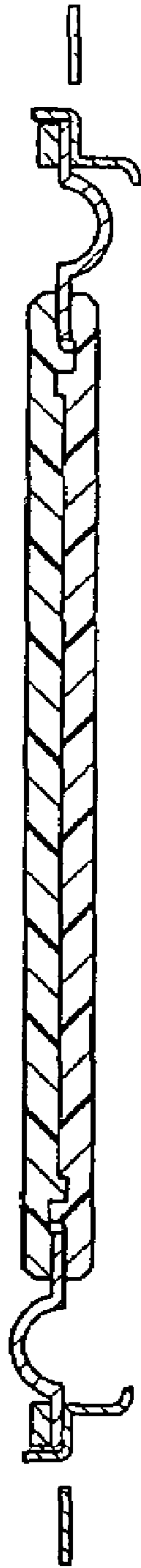


FIG. 9