



US00D561168S

(12) **United States Design Patent**  
**Song**

(10) **Patent No.:** **US D561,168 S**

(45) **Date of Patent:** **\*\* Feb. 5, 2008**

(54) **DIGITAL A/V PLAYER**

D514,556 S \* 2/2006 Rising ..... D14/300

(75) Inventor: **O-shik Song**, Daegu-si (KR)

(73) Assignee: **Hyunwon Inc.** (KR)

(\*\*) Term: **14 Years**

(21) Appl. No.: **29/257,194**

(22) Filed: **Mar. 30, 2006**

(30) **Foreign Application Priority Data**

Feb. 28, 2006 (KR) ..... 30-2006-0007485

(51) **LOC (8) Cl.** ..... **14-03**

(52) **U.S. Cl.** ..... **D14/192; D14/188; D14/496**

(58) **Field of Classification Search** ..... D14/131,  
D14/137, 155, 168, 170, 171, 188-193, 197,  
D14/198, 217, 257, 265, 496; D21/324,  
D21/333; 455/90.1-90.3, 91-100, 128  
See application file for complete search history.

(56) **References Cited**

**U.S. PATENT DOCUMENTS**

D228,255 S *	8/1973	Ikeya et al. ....	D14/134
D230,194 S *	1/1974	Buckler .....	D14/197
D234,973 S *	4/1975	Dweck .....	D14/189
D274,191 S *	6/1984	Aoijs .....	D14/171
D293,088 S *	12/1987	Brown et al. ....	D10/106
D300,026 S *	2/1989	Pace et al. ....	D14/129
D317,766 S *	6/1991	Ikeya et al. ....	D14/167
D424,564 S *	5/2000	Quaglio et al. ....	D14/197
D458,911 S *	6/2002	Kataoka .....	D14/129

**OTHER PUBLICATIONS**

PCMAG.com, "MobiBLU DAH-1500i", <http://www.pcmag.com/article2/o,1759,1849809,00.asp>, Aug. 18, 2005, 1pg.\*

\* cited by examiner

*Primary Examiner*—Stella M. Reid

*Assistant Examiner*—Keli' L. Acker

(74) *Attorney, Agent, or Firm*—Cantor Colburn LLP

(57) **CLAIM**

I claim, the ornamental design for a digital A/V player, as shown and described.

**DESCRIPTION**

FIG. 1 is a top and front perspective view of a digital A/V player, showing my new design;

FIG. 2 is a front elevational view thereof;

FIG. 3 is a rear elevational view thereof;

FIG. 4 is a left side elevational view thereof;

FIG. 5 is a right side elevational view thereof;

FIG. 6 is a top plan view thereof;

FIG. 7 is a bottom plan view thereof; and,

FIG. 8 is a reference view showing how the digital A/V player can be used by a user.

The broken lines shown in the figures are for illustrative purposes only and form no part of the claimed design.

**1 Claim, 5 Drawing Sheets**

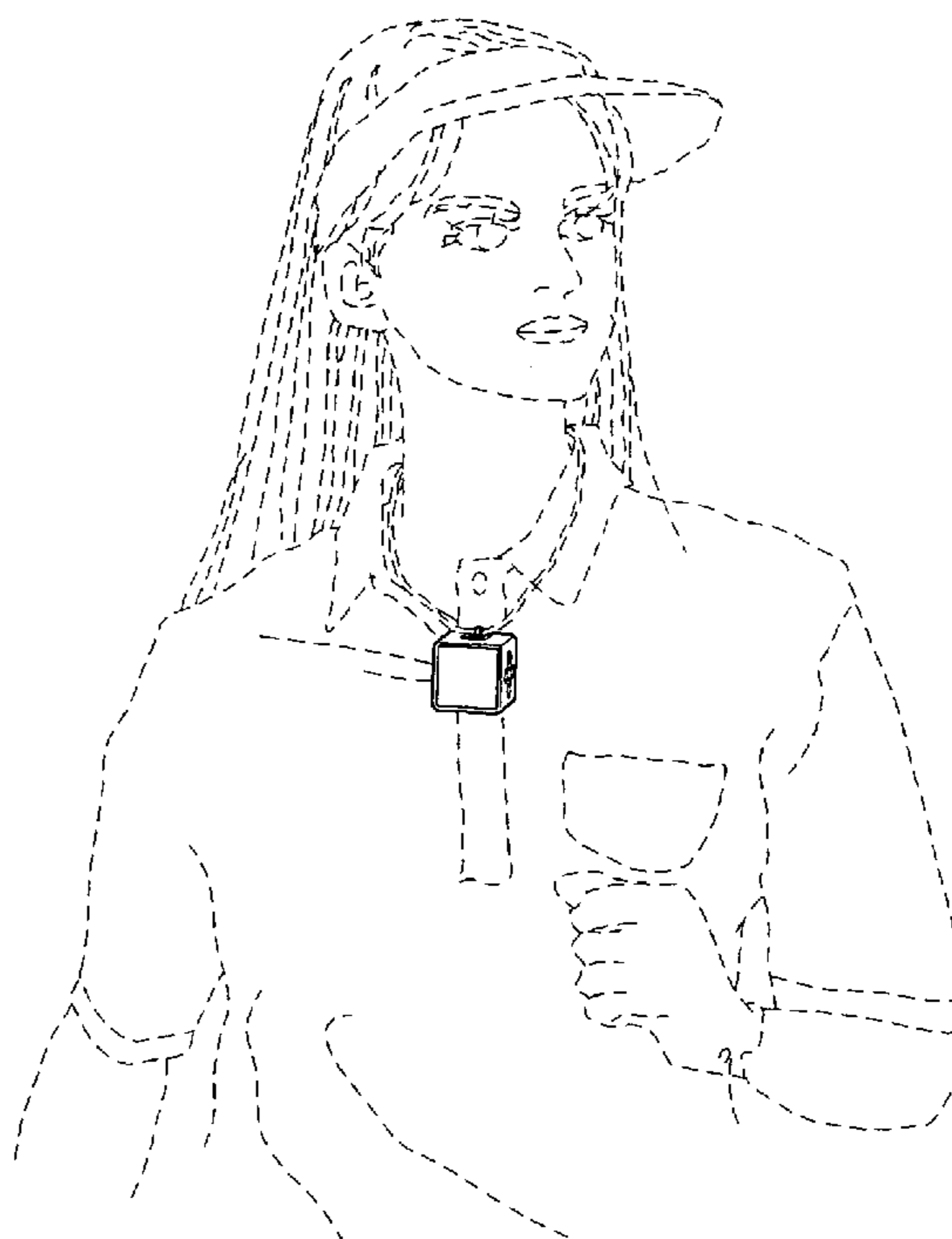
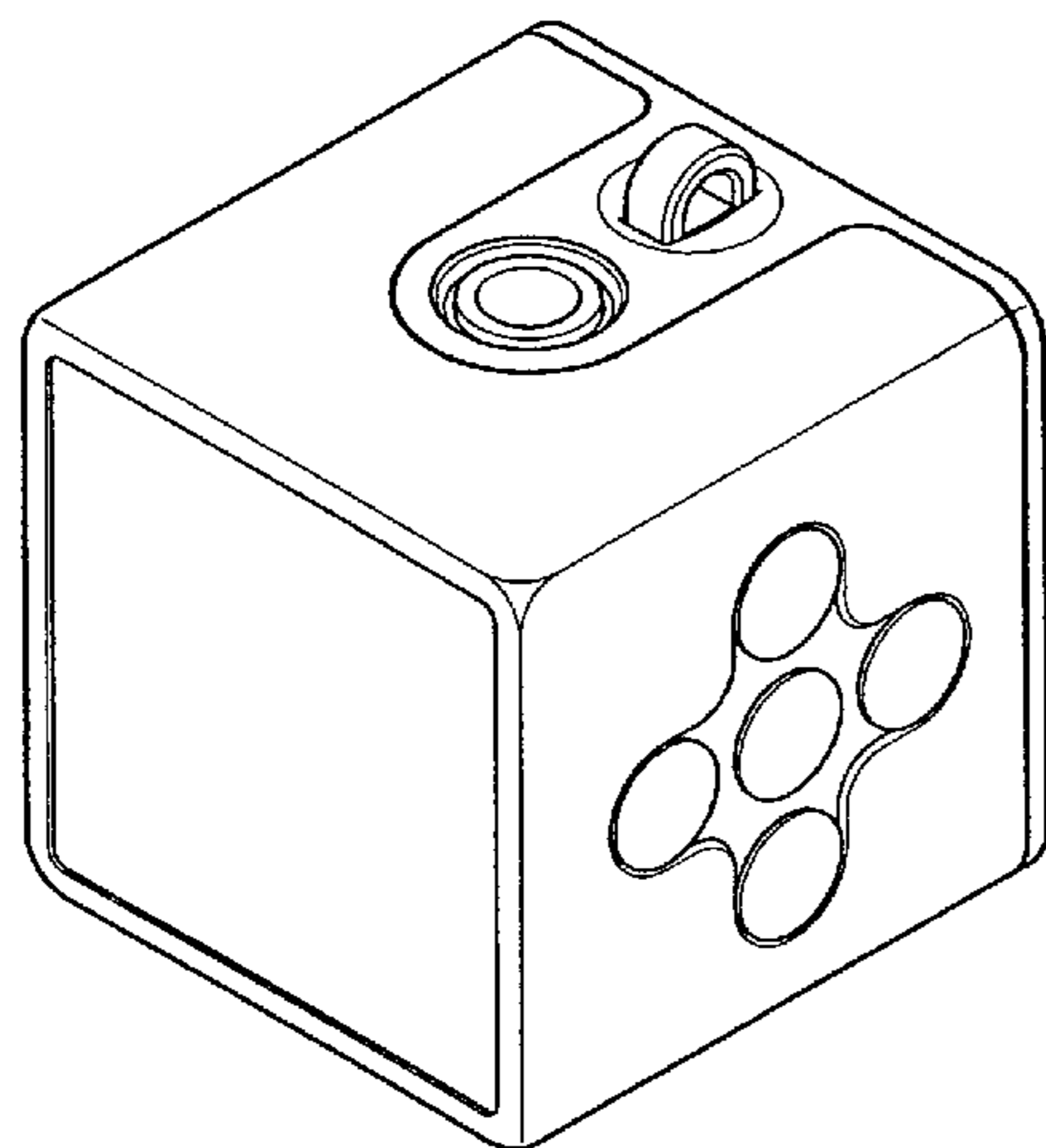


FIG. 1

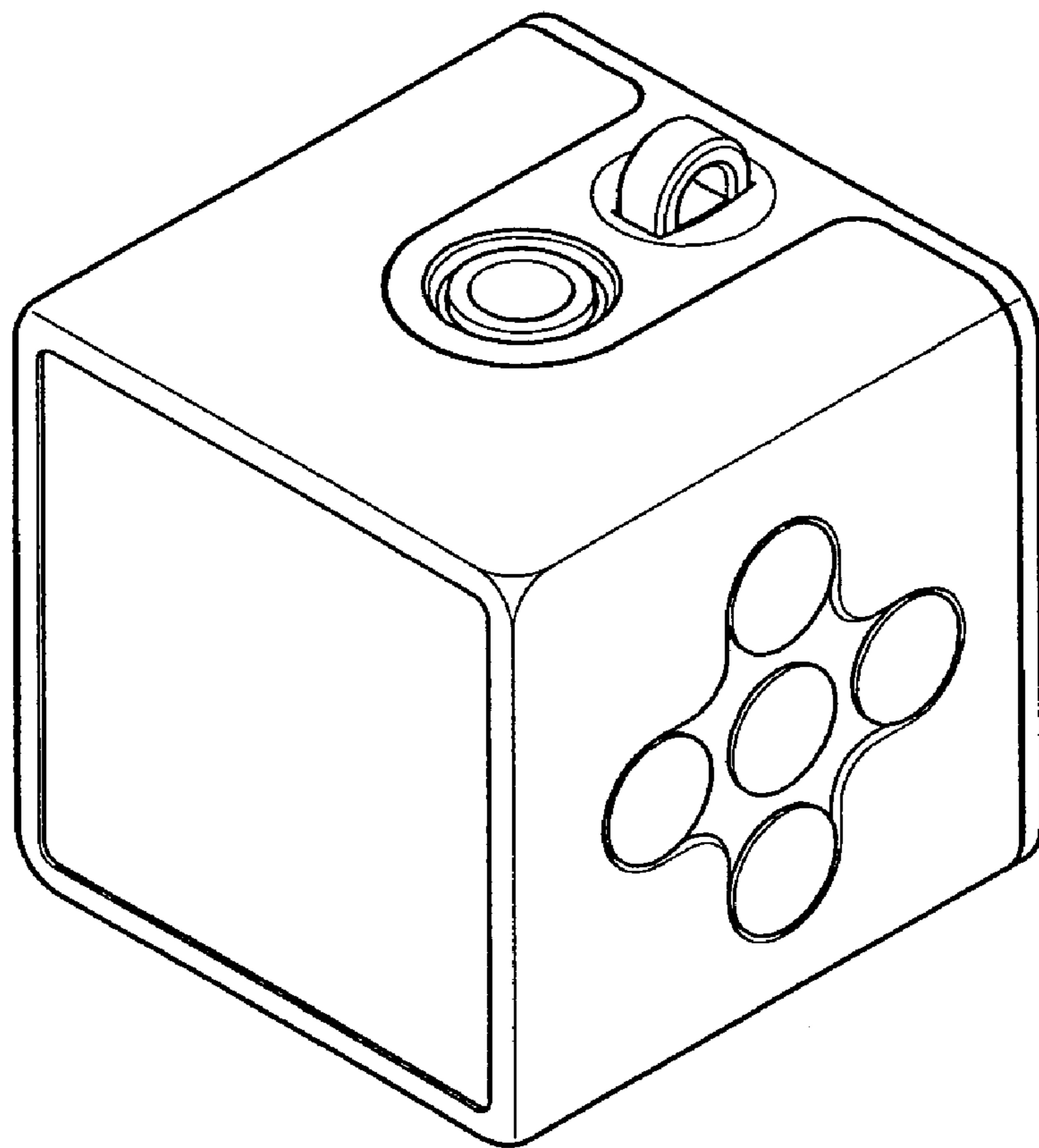


FIG.2

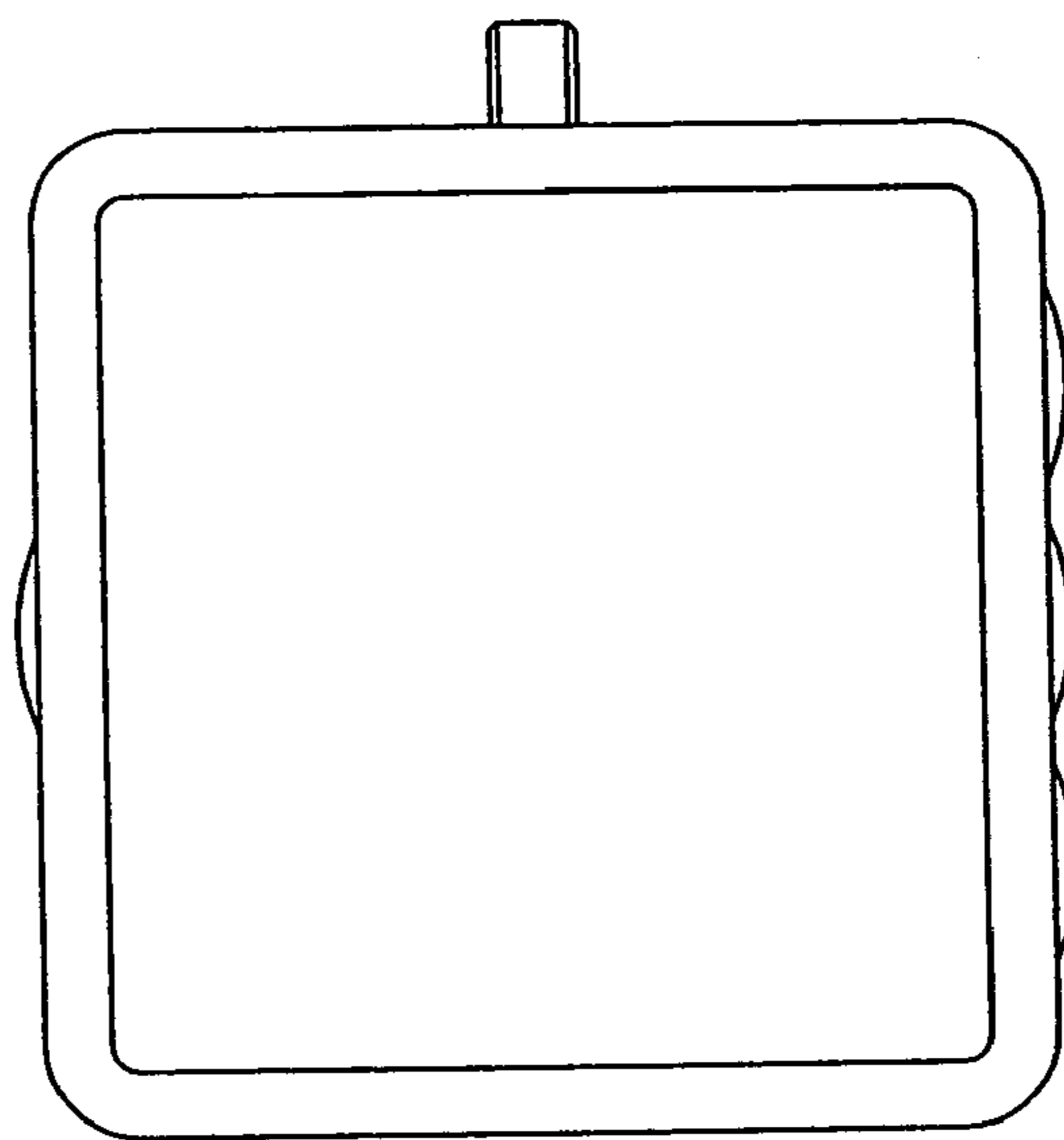


FIG.3

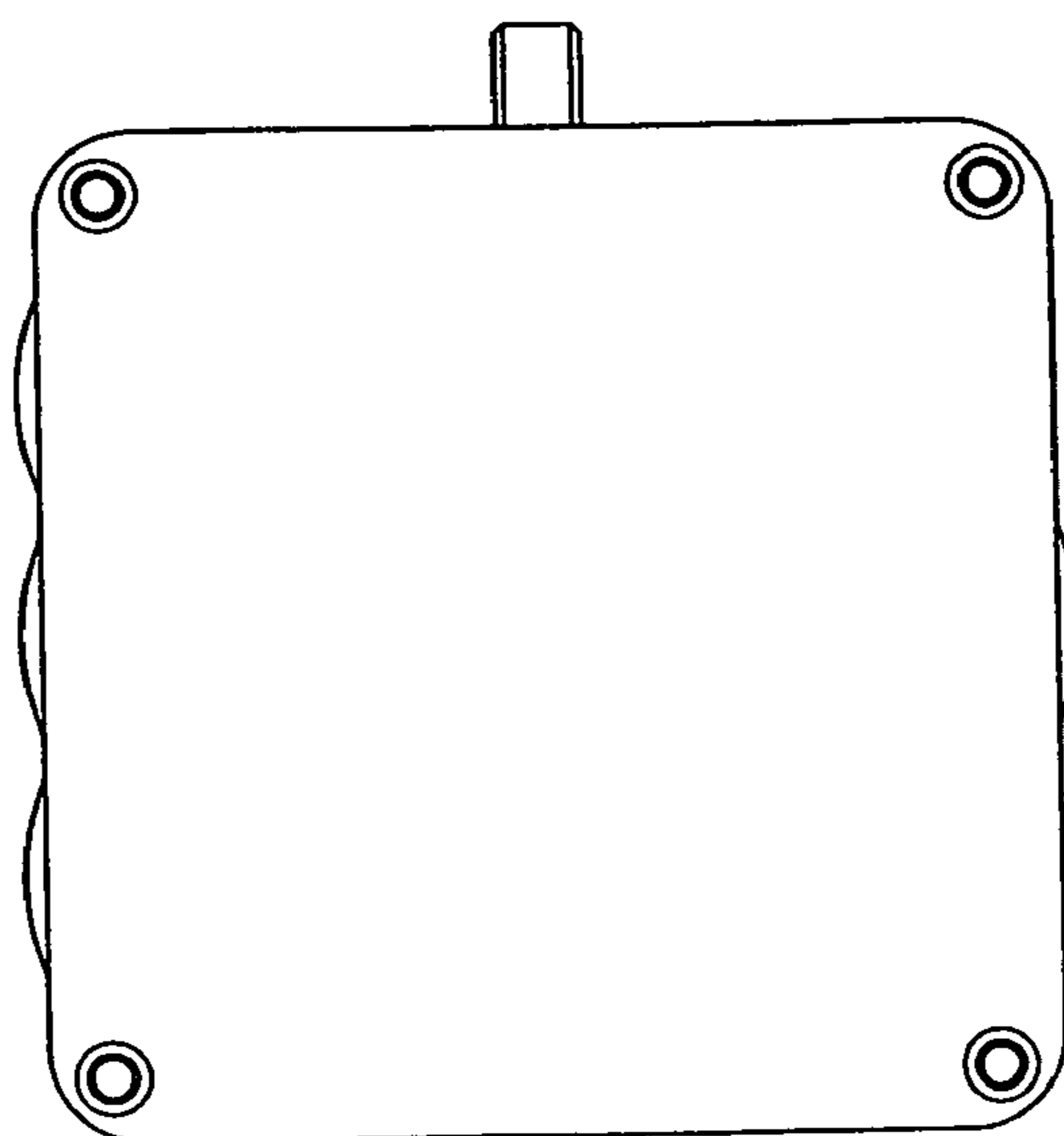


FIG.4

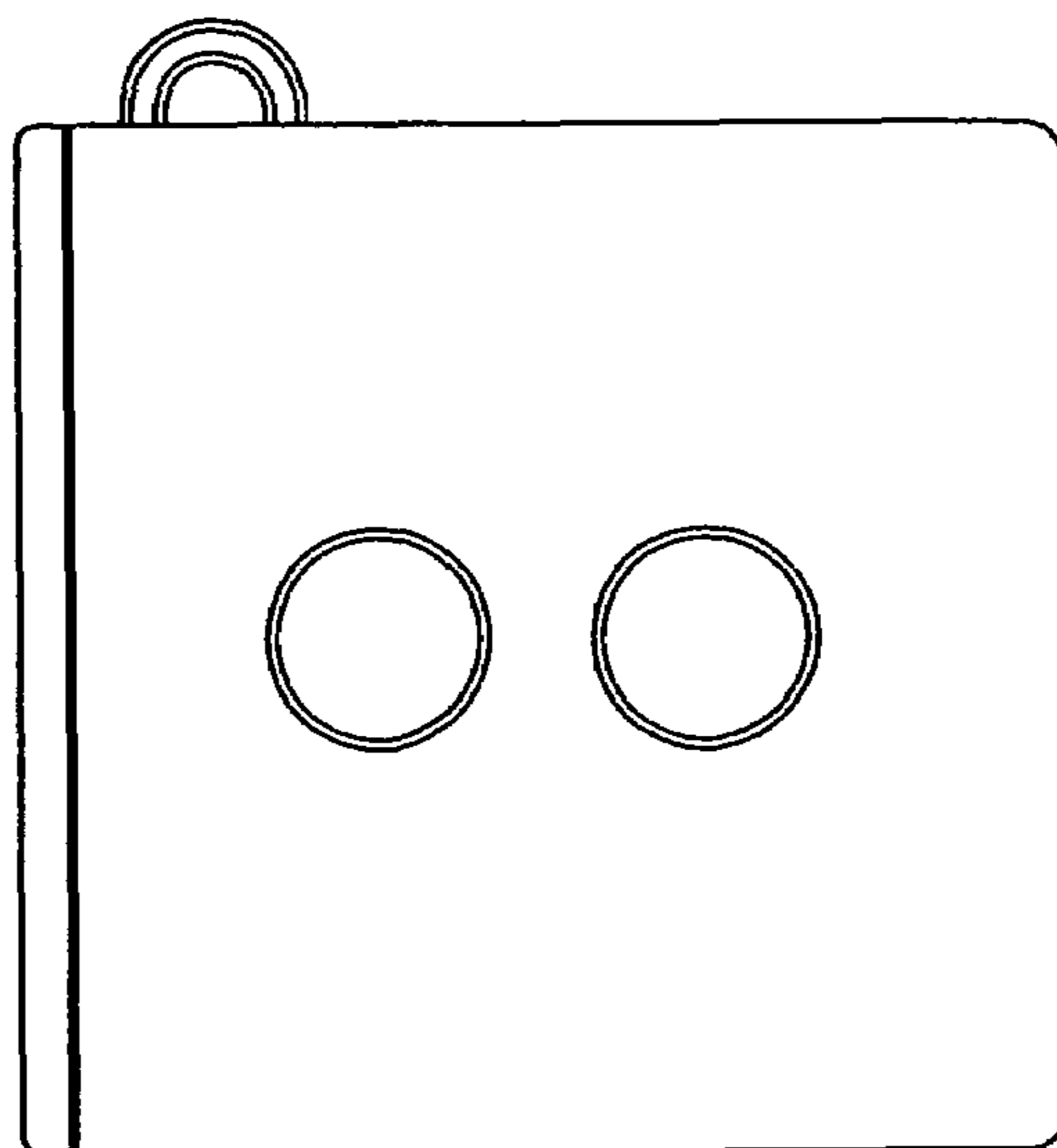


FIG.5

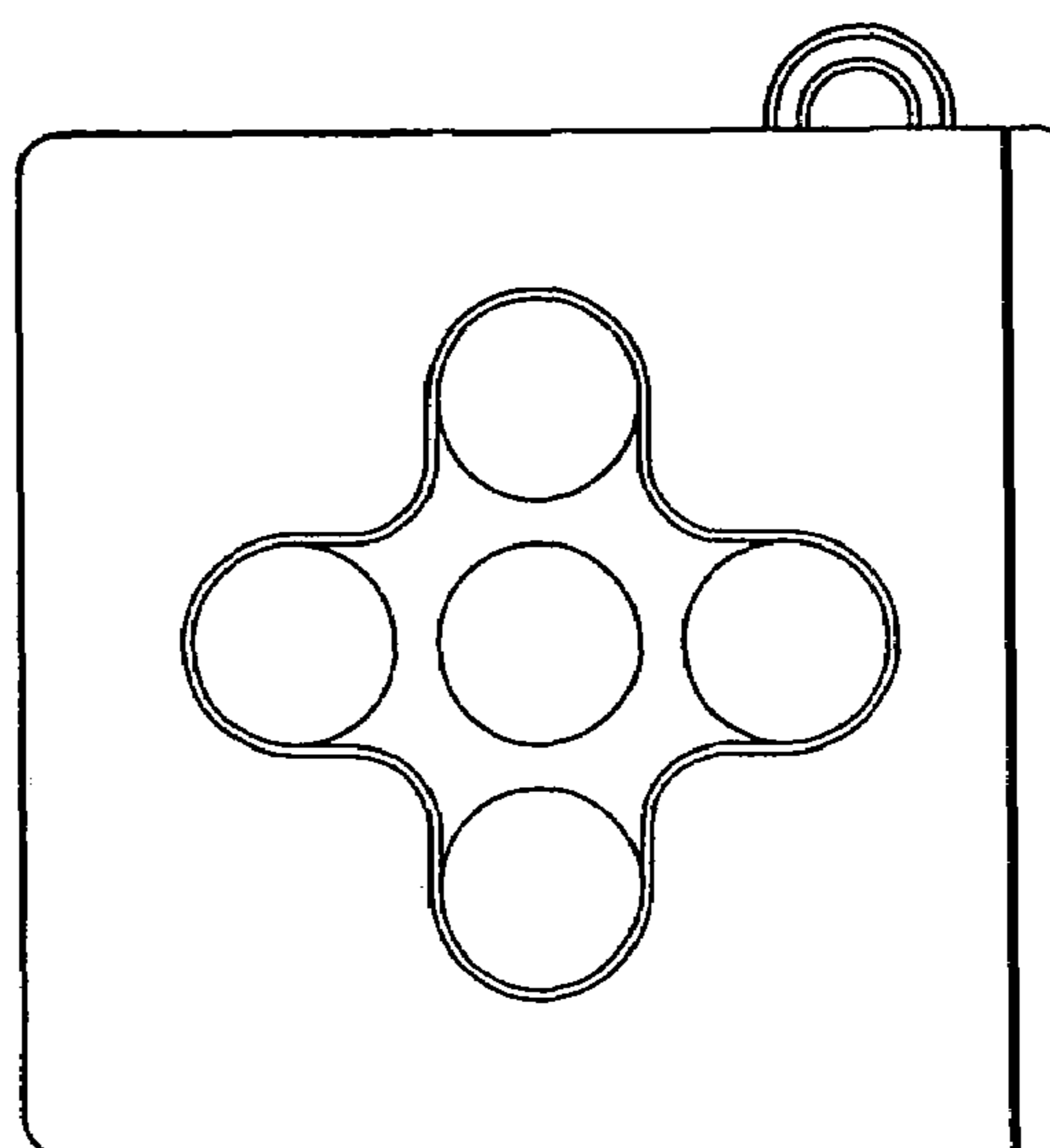


FIG.6

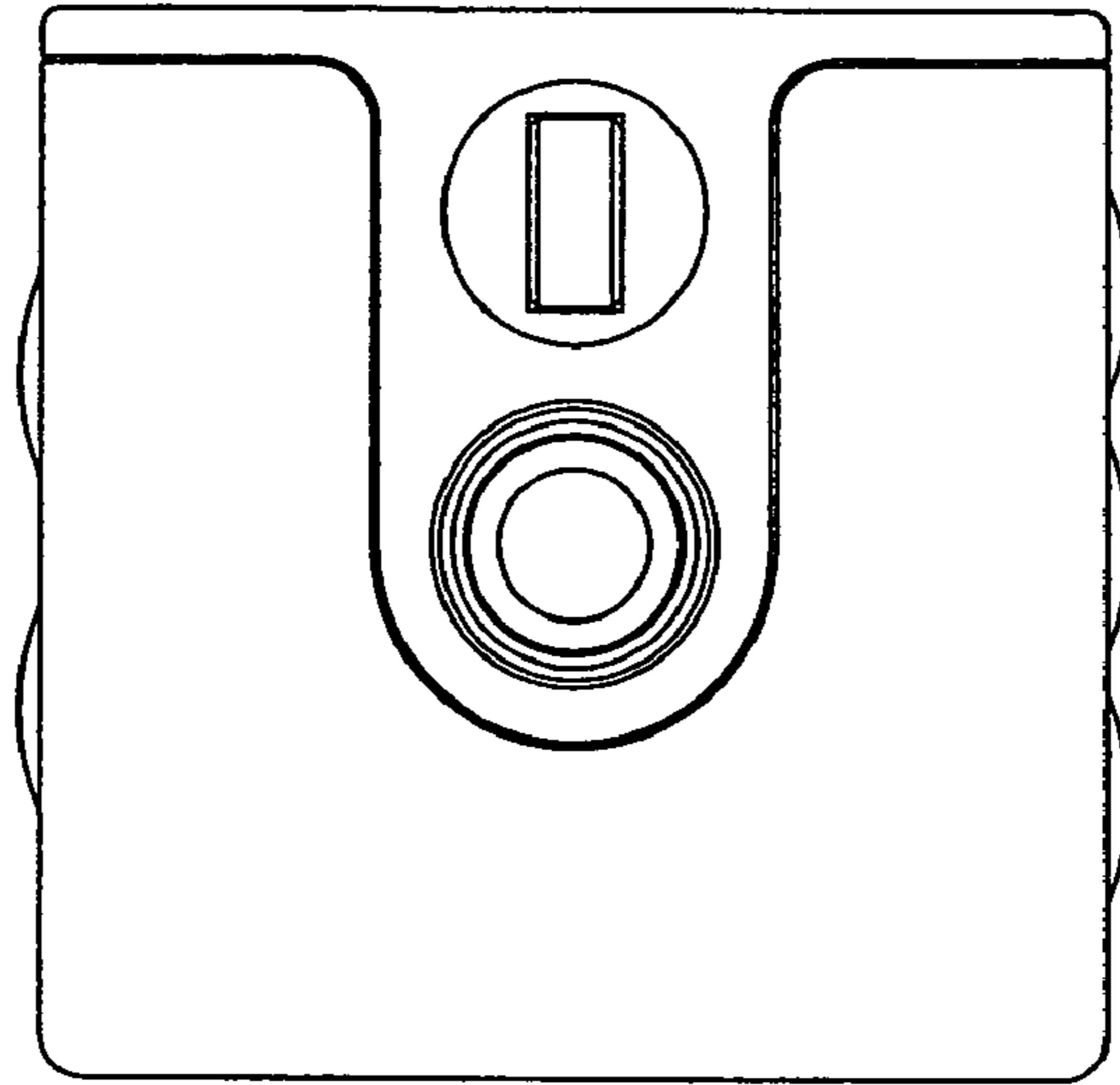


FIG.7

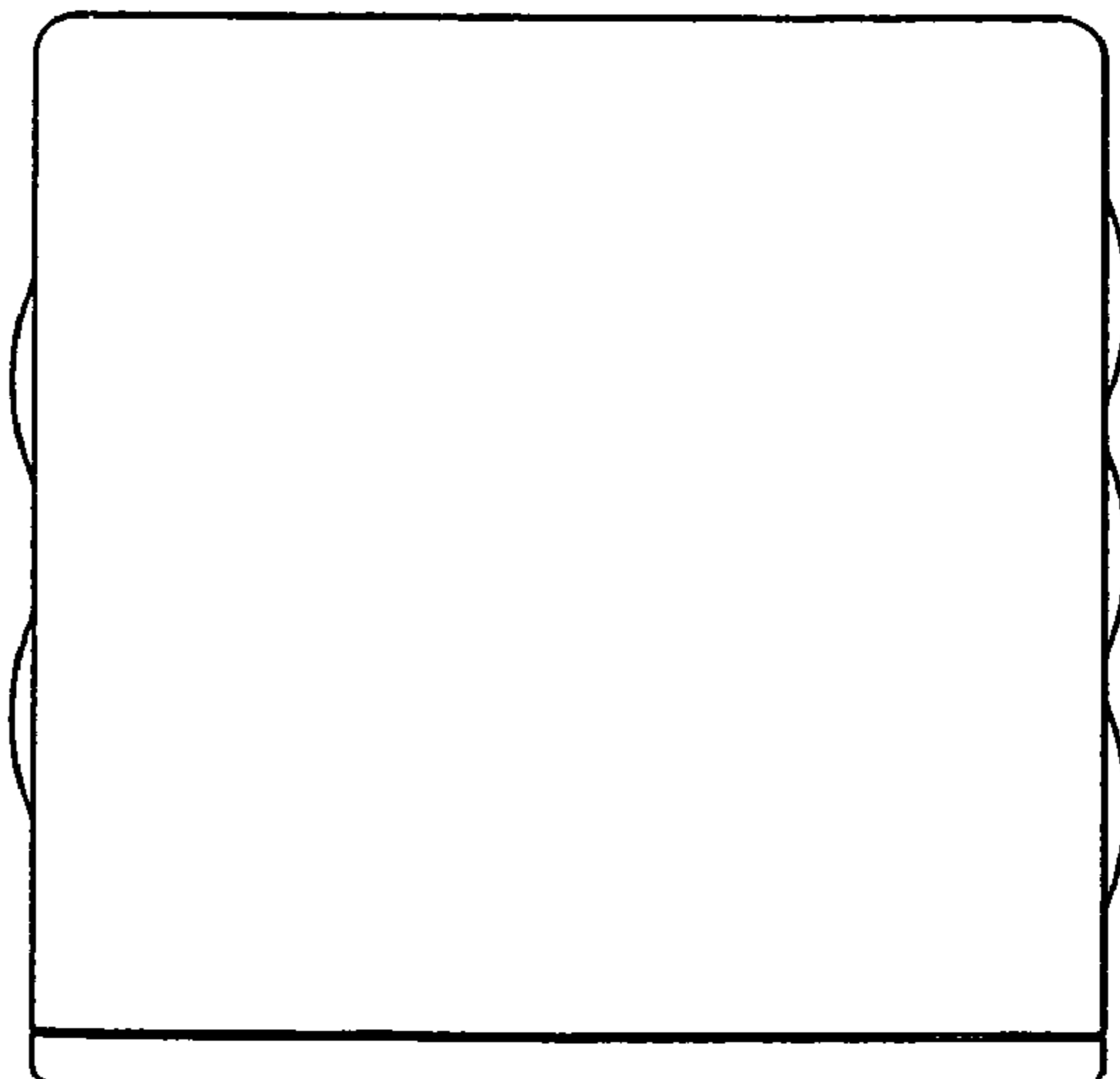


FIG.8

