



US00D561167S

(12) **United States Design Patent**
Yan

(10) **Patent No.:** **US D561,167 S**

(45) **Date of Patent:** **** Feb. 5, 2008**

(54) **HIFI SYSTEM**

D544,463 S * 6/2007 Harris D14/168
D544,855 S * 6/2007 Hibino D14/215

(76) Inventor: **Wen Yan**, Room E-F, Floor 17, Xiangxi Mansion, Nanji Road, Luohu District, Shenzhen City (CN)

* cited by examiner

Primary Examiner—Stella M. Reid
Assistant Examiner—Keli' L. Acker

(**) Term: **14 Years**

(57) **CLAIM**

(21) Appl. No.: **29/256,468**

The ornamental design for a HiFi system, as shown and described.

(22) Filed: **Mar. 22, 2006**

(51) **LOC (8) Cl.** **14-01**

(52) **U.S. Cl.** **D14/188**

(58) **Field of Classification Search** D14/155,
D14/156, 160–162, 164, 165, 168, 169, 172,
D14/188, 193–195, 197–198, 204, 210, 213,
D14/214, 496; 369/6–12; 455/90.1–90.3,
455/344–355

See application file for complete search history.

DESCRIPTION

The claimed HiFi system is used for reproducing sound with high fidelity.

FIG. 1 is a front elevational view of a HiFi system showing my new design;

FIG. 2 is a rear elevational view thereof;

FIG. 3 is a left side view thereof;

FIG. 4 is a right side view thereof;

FIG. 5 is a top plan view thereof;

FIG. 6 is a bottom plan view thereof; and,

FIG. 7 is a perspective view thereof.

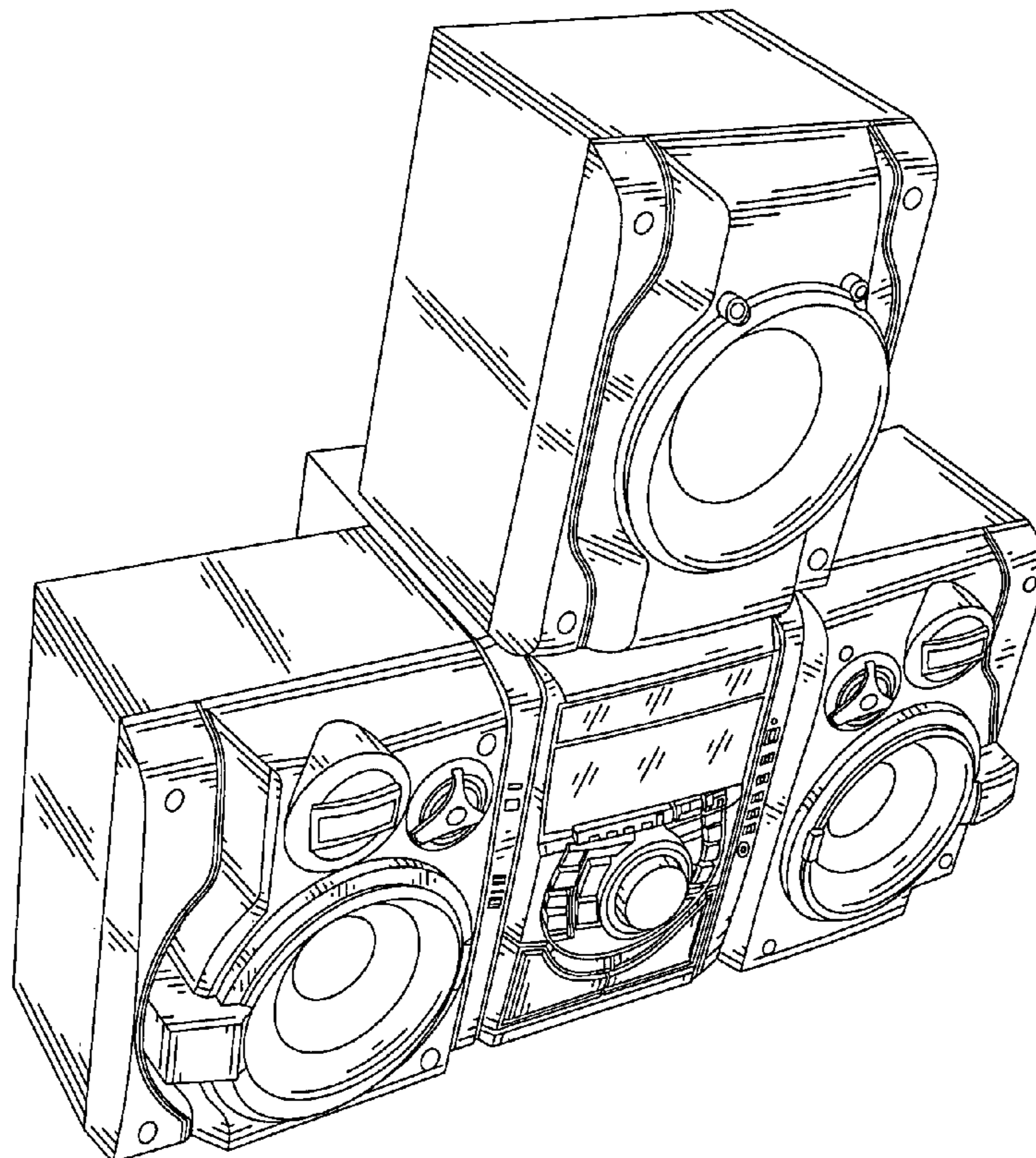
The broken line showing of the HiFi system is included for the purpose of illustrating environmental structure and forms no part of the claimed design.

(56) **References Cited**

U.S. PATENT DOCUMENTS

D313,598 S *	1/1991	Mori	D14/163
5,146,618 A *	9/1992	Wenner	455/345
D339,345 S *	9/1993	Fuke	D14/168
D445,773 S *	7/2001	Fenner	D14/156
D457,153 S *	5/2002	Allen	D14/168
D468,718 S *	1/2003	Cuvelier	D14/168
D484,115 S *	12/2003	Nishii et al.	D14/215
D542,278 S *	5/2007	Yan	D14/215

1 Claim, 6 Drawing Sheets



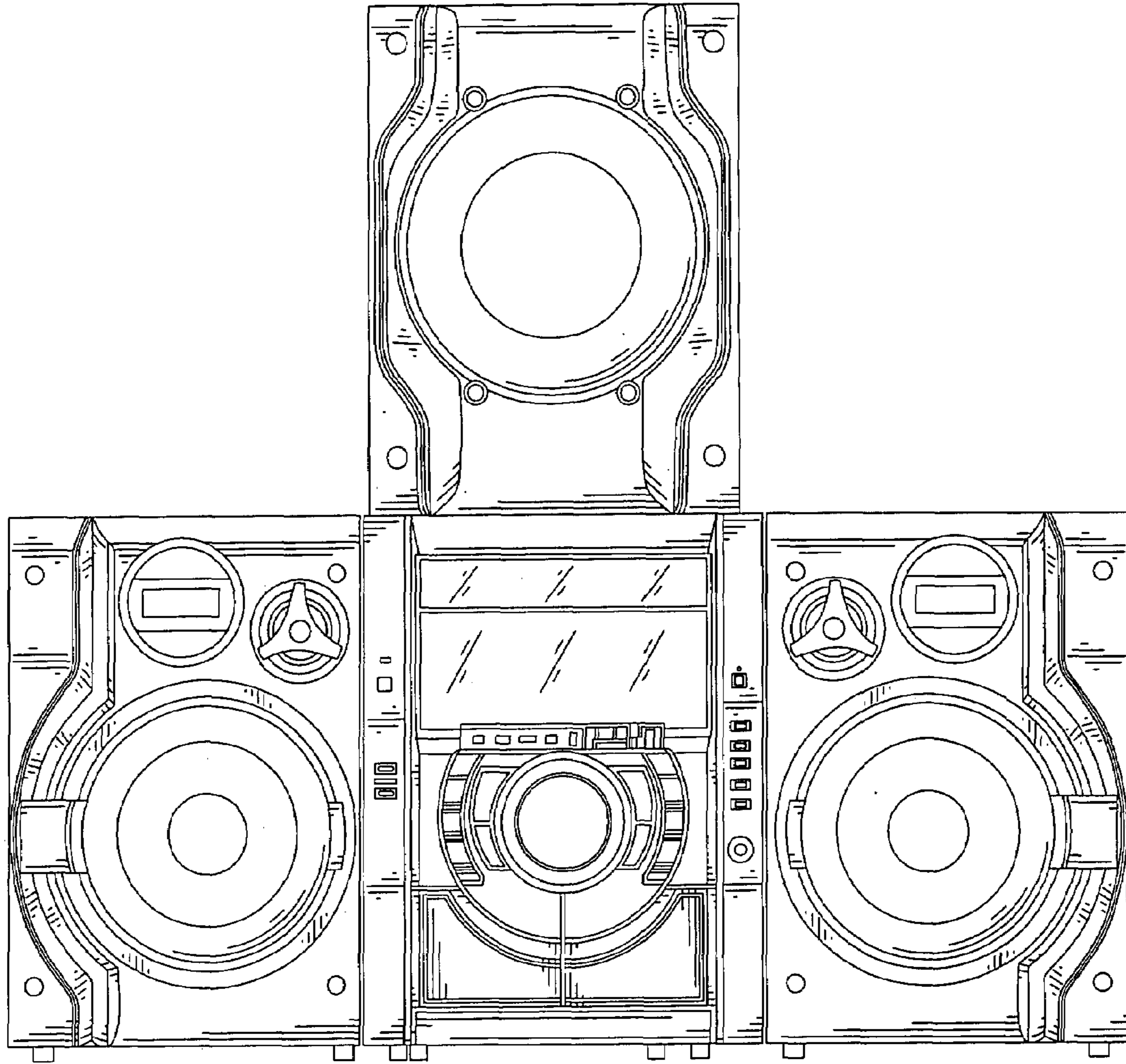


Fig. 1

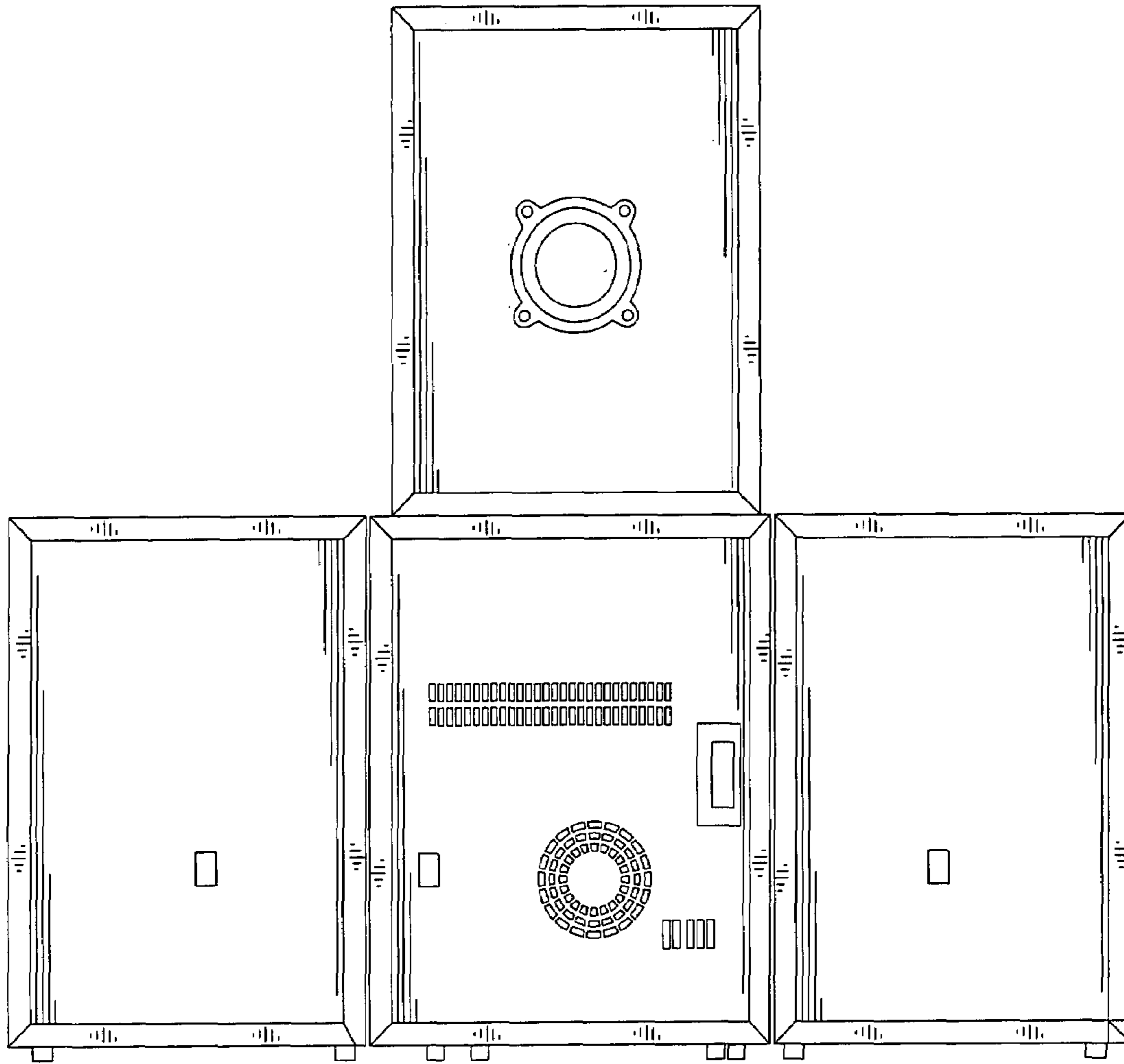


Fig. 2

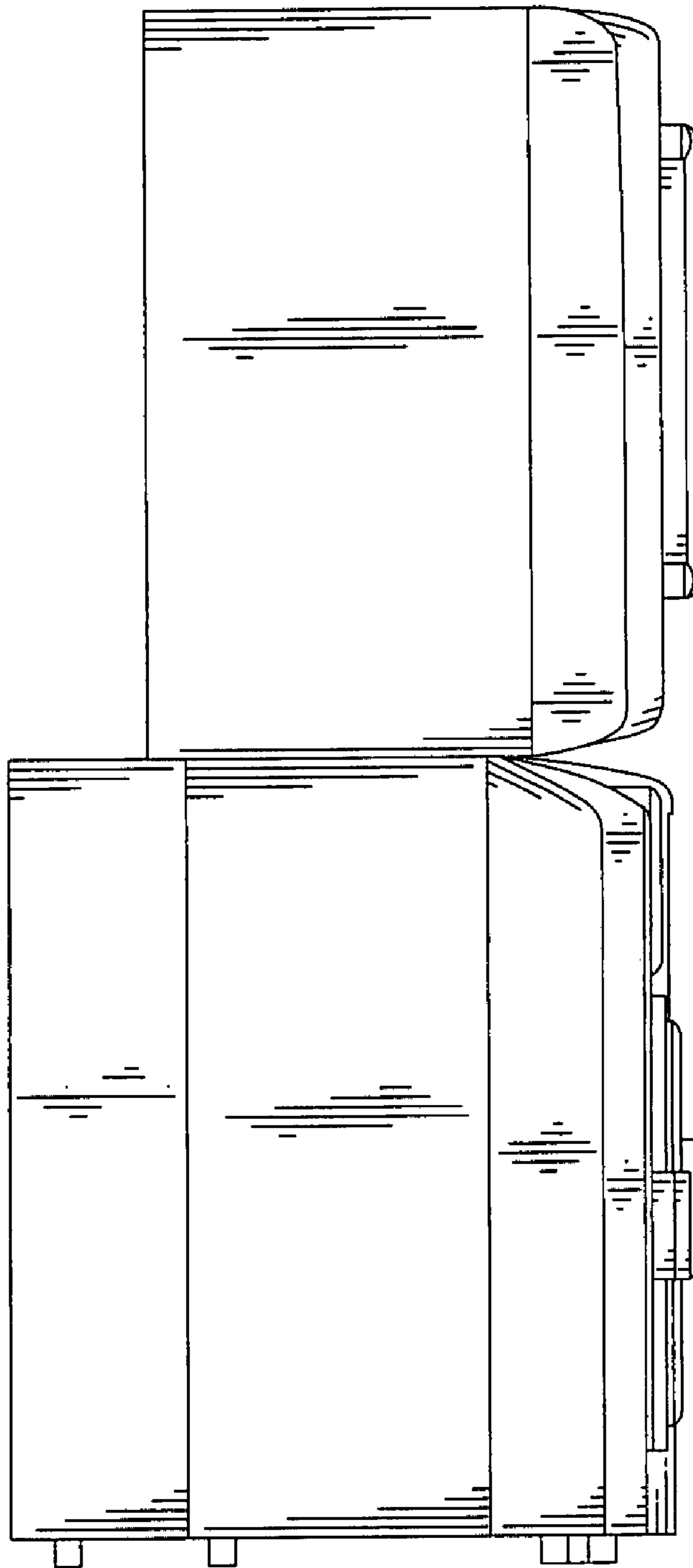


Fig. 3

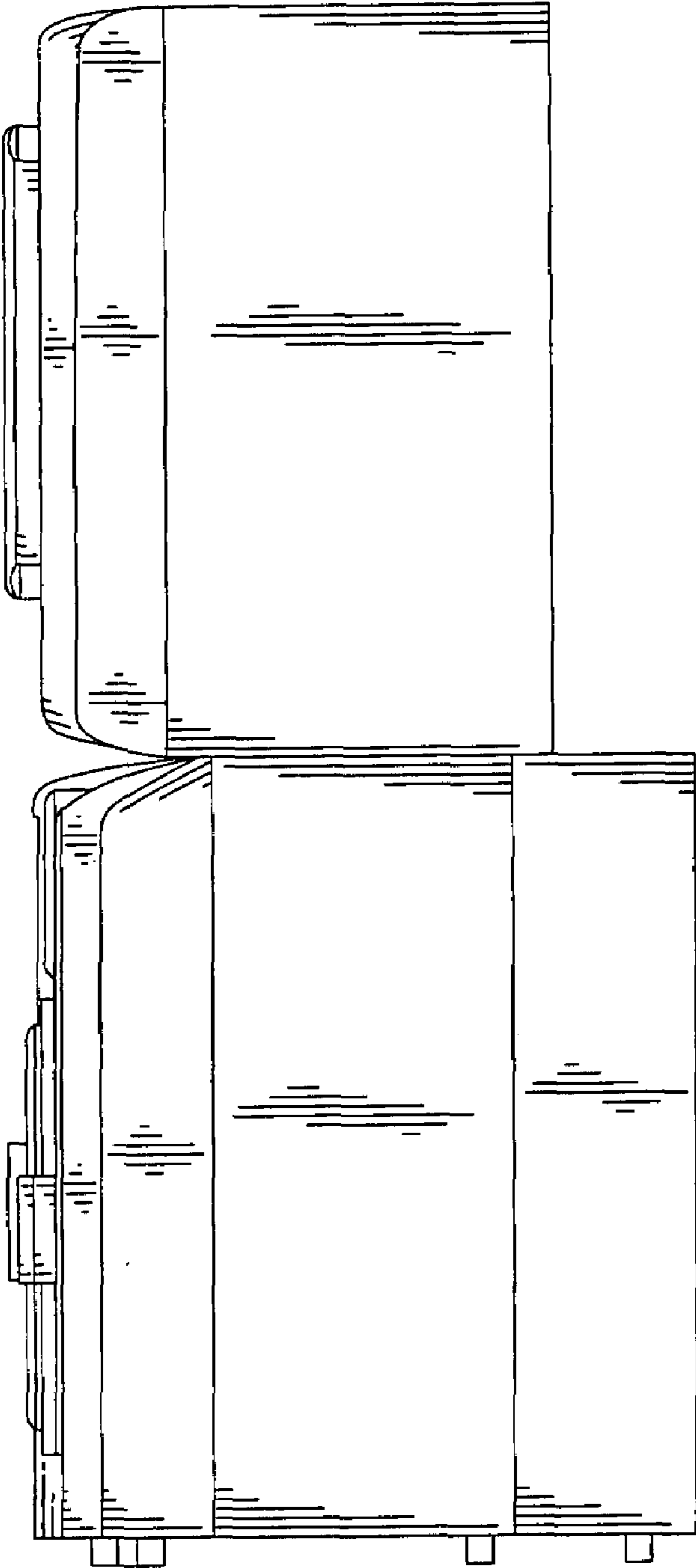


Fig. 4

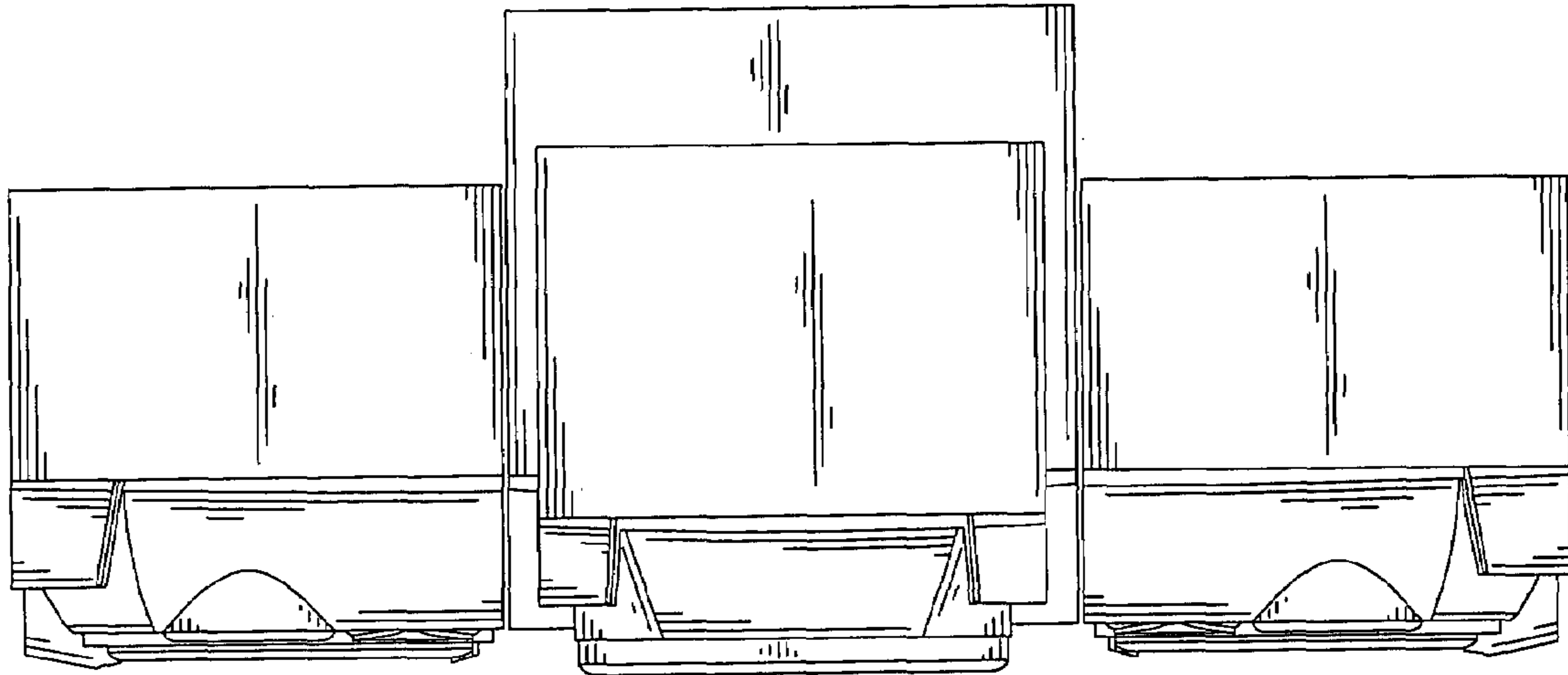


Fig. 5

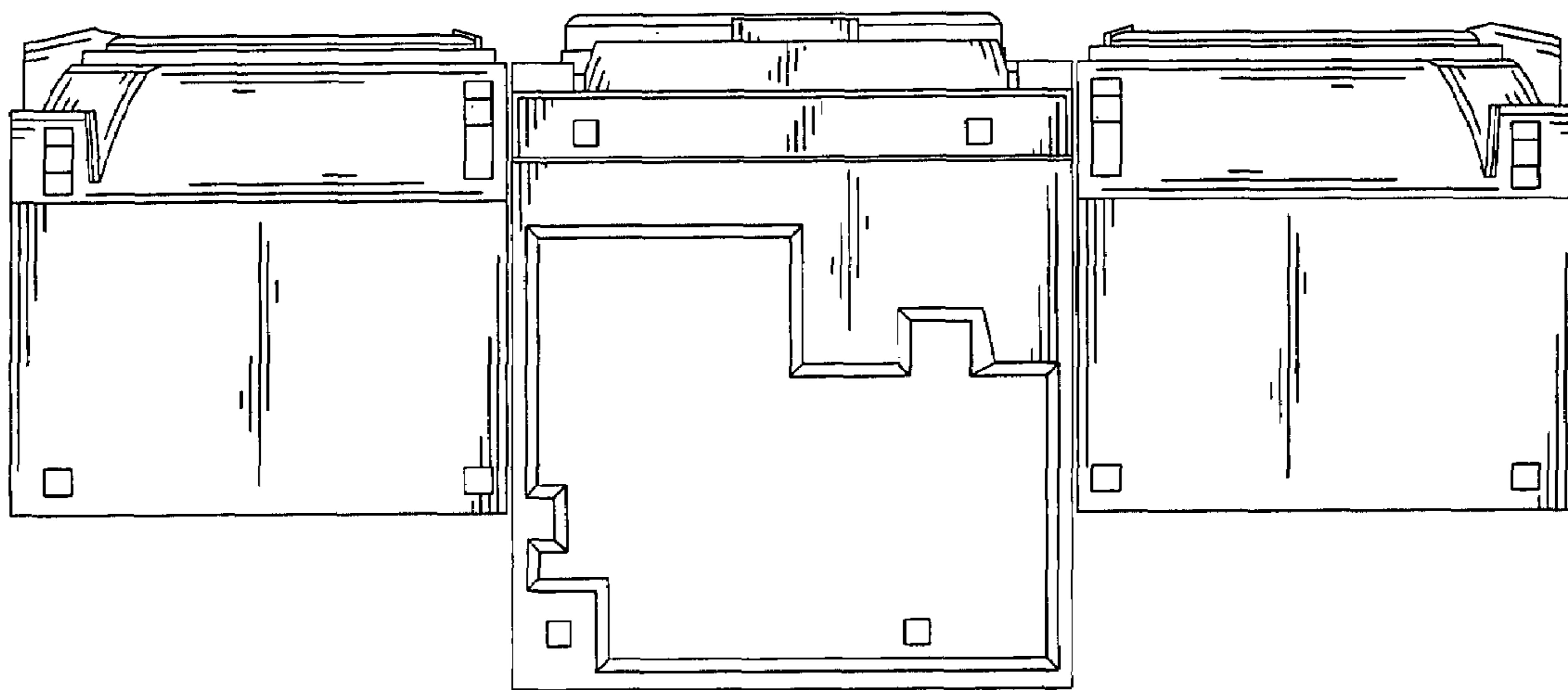


Fig. 6

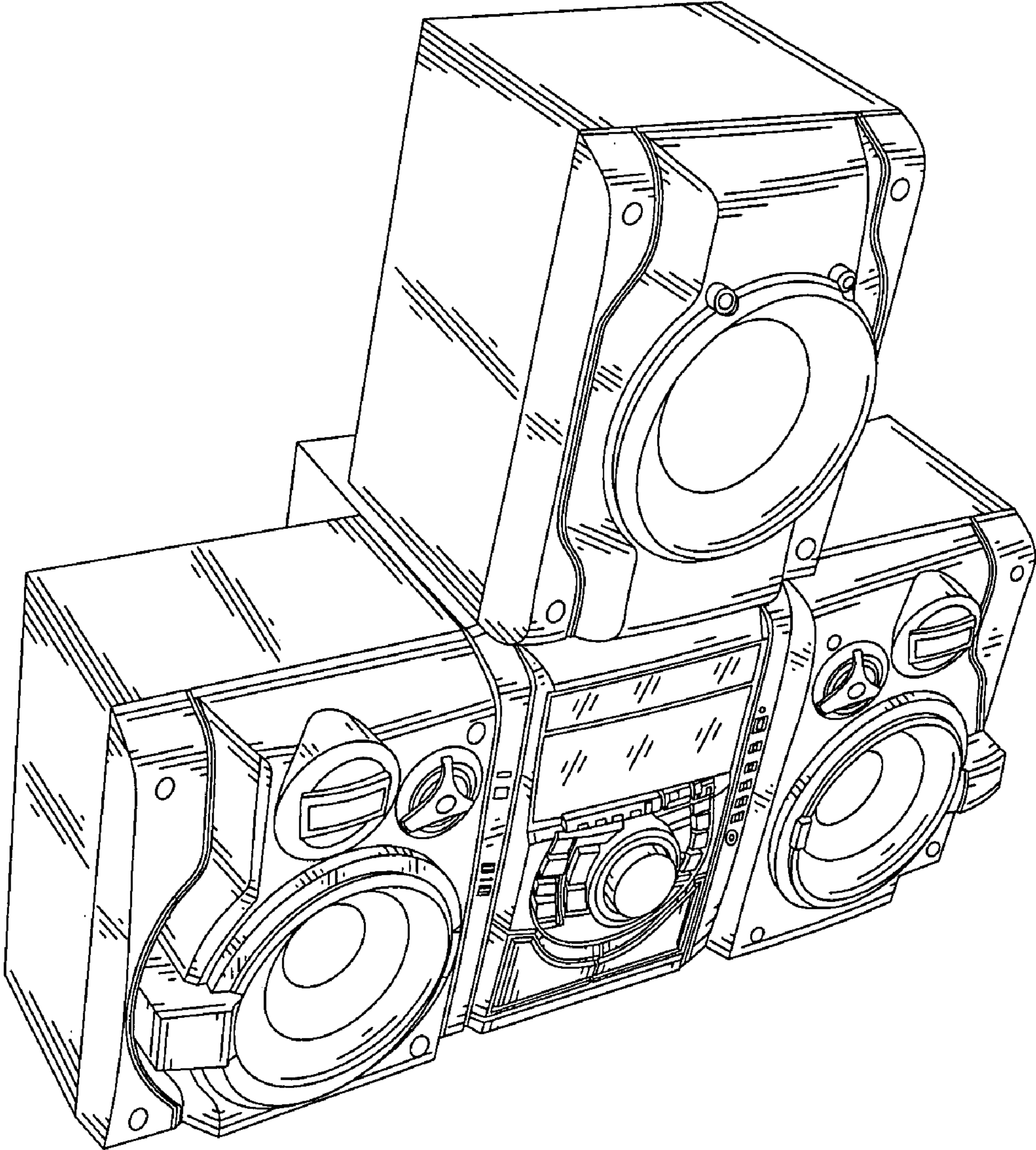


Fig. 7