

US00D561166S

(12) **United States Design Patent**
Skurdal

(10) **Patent No.:** **US D561,166 S**

(45) **Date of Patent:** **** Feb. 5, 2008**

(54) **BLUETOOTH ENABLED CLOCK RADIO**

D468,685 S * 1/2003 Jacobs et al. D13/107
D503,395 S * 3/2005 Hirano D14/168
D512,418 S * 12/2005 Sarasjoki D14/253

(75) Inventor: **Andrew Skurdal**, Weehawken, NJ (US)

* cited by examiner

(73) Assignee: **SDI Technologies, Inc.**, Rahway, NJ
(US)

Primary Examiner—Stella M. Reid

Assistant Examiner—Keli' L. Acker

(**) Term: **14 Years**

(74) *Attorney, Agent, or Firm*—Ostrolenk, Faber, Gerb &
Soffen, LLP

(21) Appl. No.: **29/250,537**

(22) Filed: **Nov. 20, 2006**

(57) **CLAIM**

(51) **LOC (8) Cl.** **14-03**

The ornamental design for a bluetooth enabled clock radio,
as shown and described.

(52) **U.S. Cl.** **D14/171**

(58) **Field of Classification Search** D14/137,
D14/155, 156, 168, 170, 171, 193–198, 217,
D14/496; D10/1, 2, 15; 312/7.1; 369/6–12;
455/91, 95, 100, 128, 344, 347, 350, 351
See application file for complete search history.

DESCRIPTION

FIG. 1 is a front, right side perspective view of a blue tooth
enabled clock radio showing my new design;

FIG. 2 is a front view thereof;

FIG. 3 is a right side view thereof, the opposite side view
being a mirror image;

(56) **References Cited**

U.S. PATENT DOCUMENTS

D339,346 S * 9/1993 Pepall D14/171
D347,008 S * 5/1994 Theisen et al. D14/160
D358,337 S * 5/1995 Wilson et al. D10/15
D359,694 S * 6/1995 Reeve, Jr. D10/15
D372,435 S * 8/1996 Bellomo et al. D10/106
D377,650 S * 1/1997 Obata D14/171
D385,561 S * 10/1997 Audoin D14/171
D417,870 S * 12/1999 Kokkinis D14/171

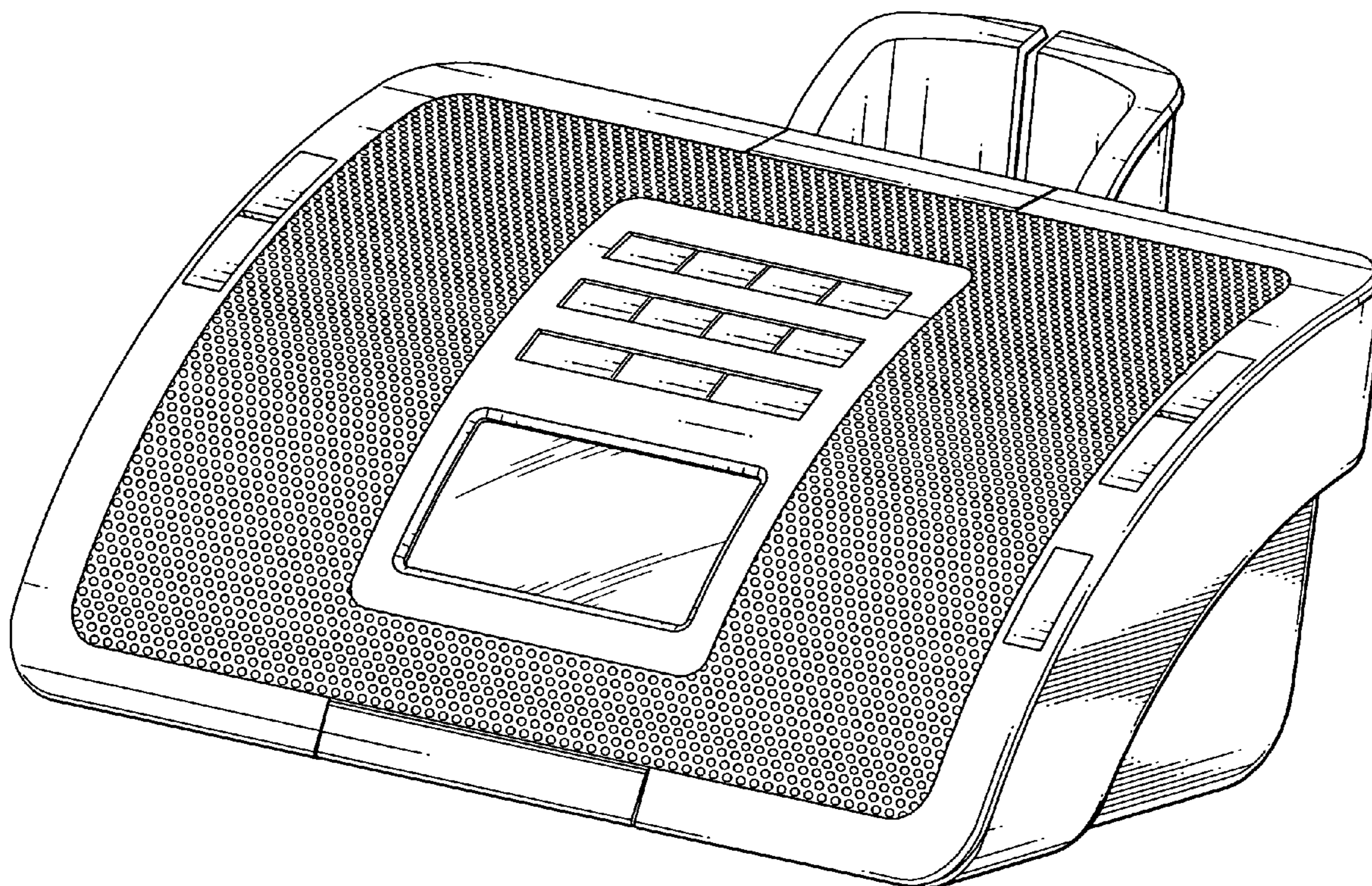
FIG. 4 is a rear view thereof;

FIG. 5 is a top view thereof; and,

FIG. 6 is a bottom view thereof.

The broken line showing of the clock radio is included for
the purpose of illustrating environmental structure and forms
no part of the claimed design.

1 Claim, 6 Drawing Sheets



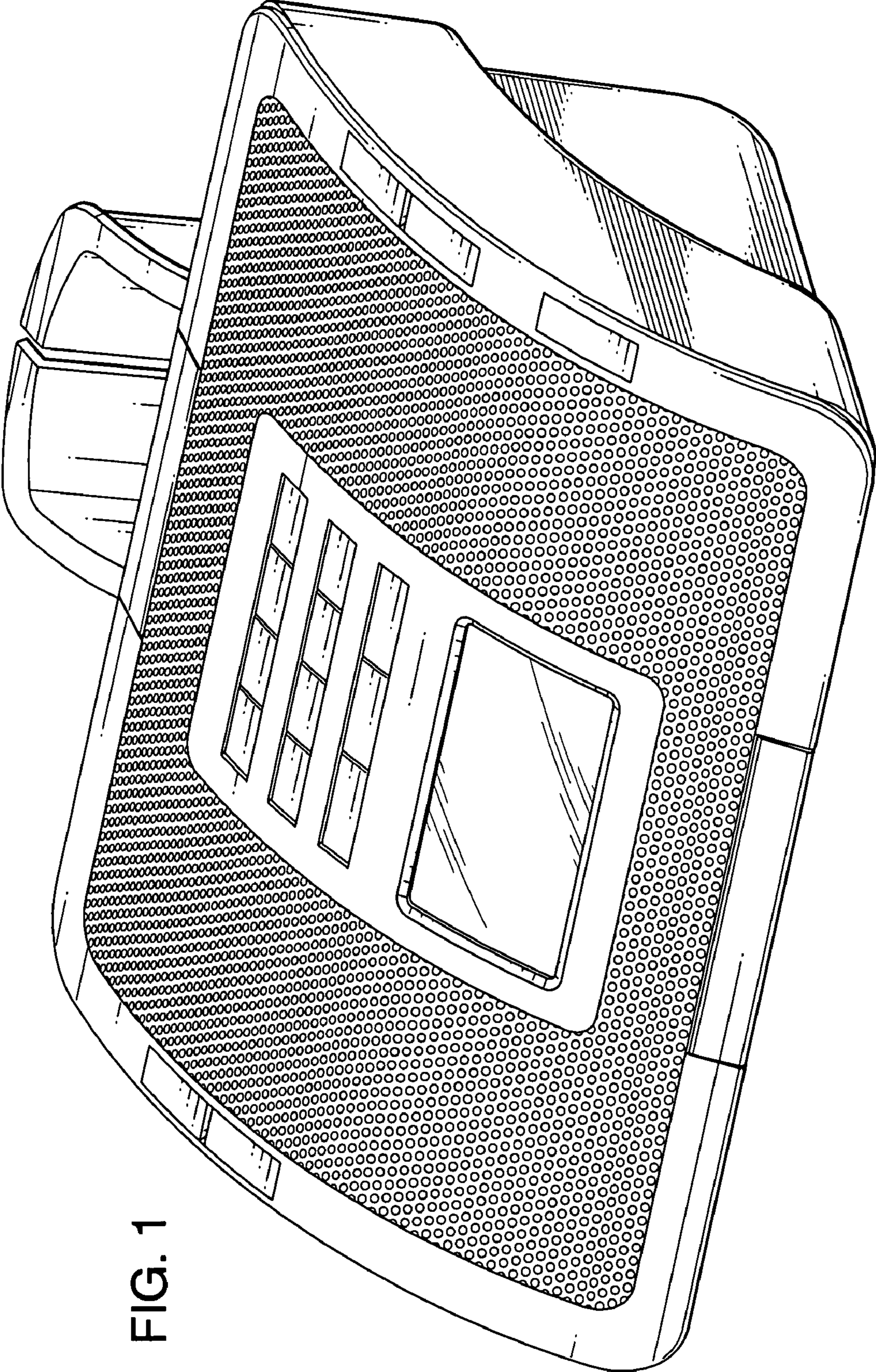


FIG. 1

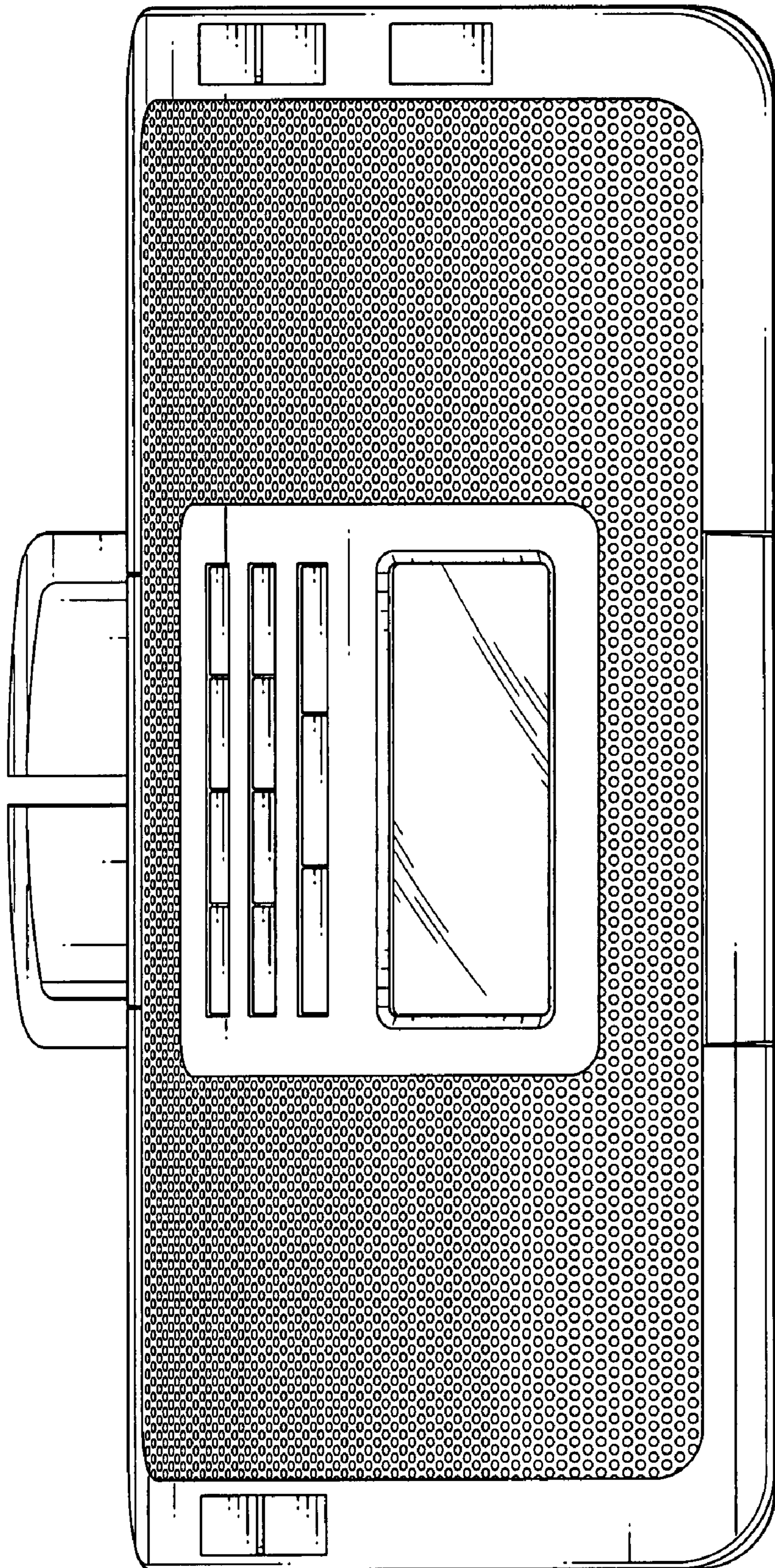


FIG. 2

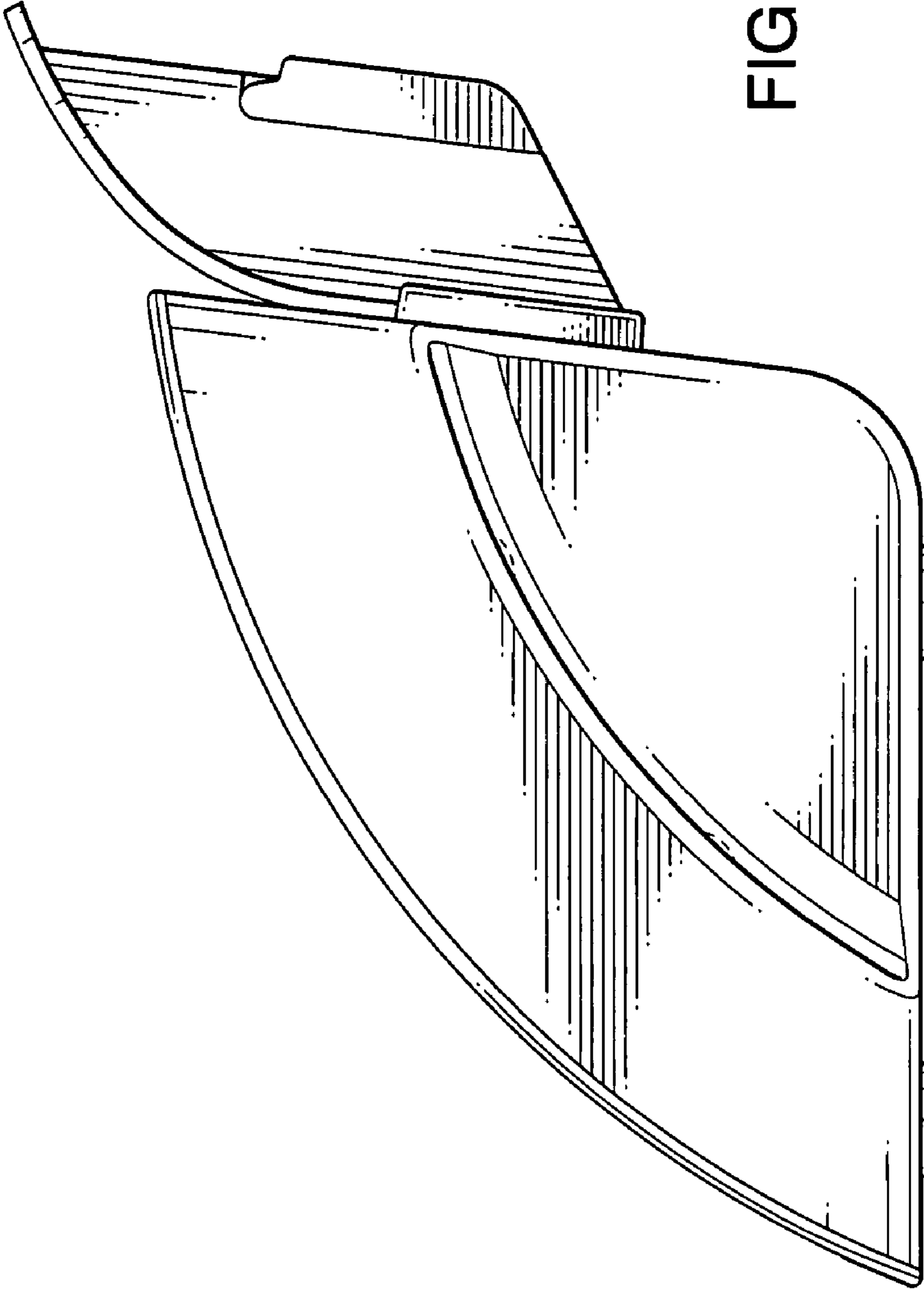


FIG. 3

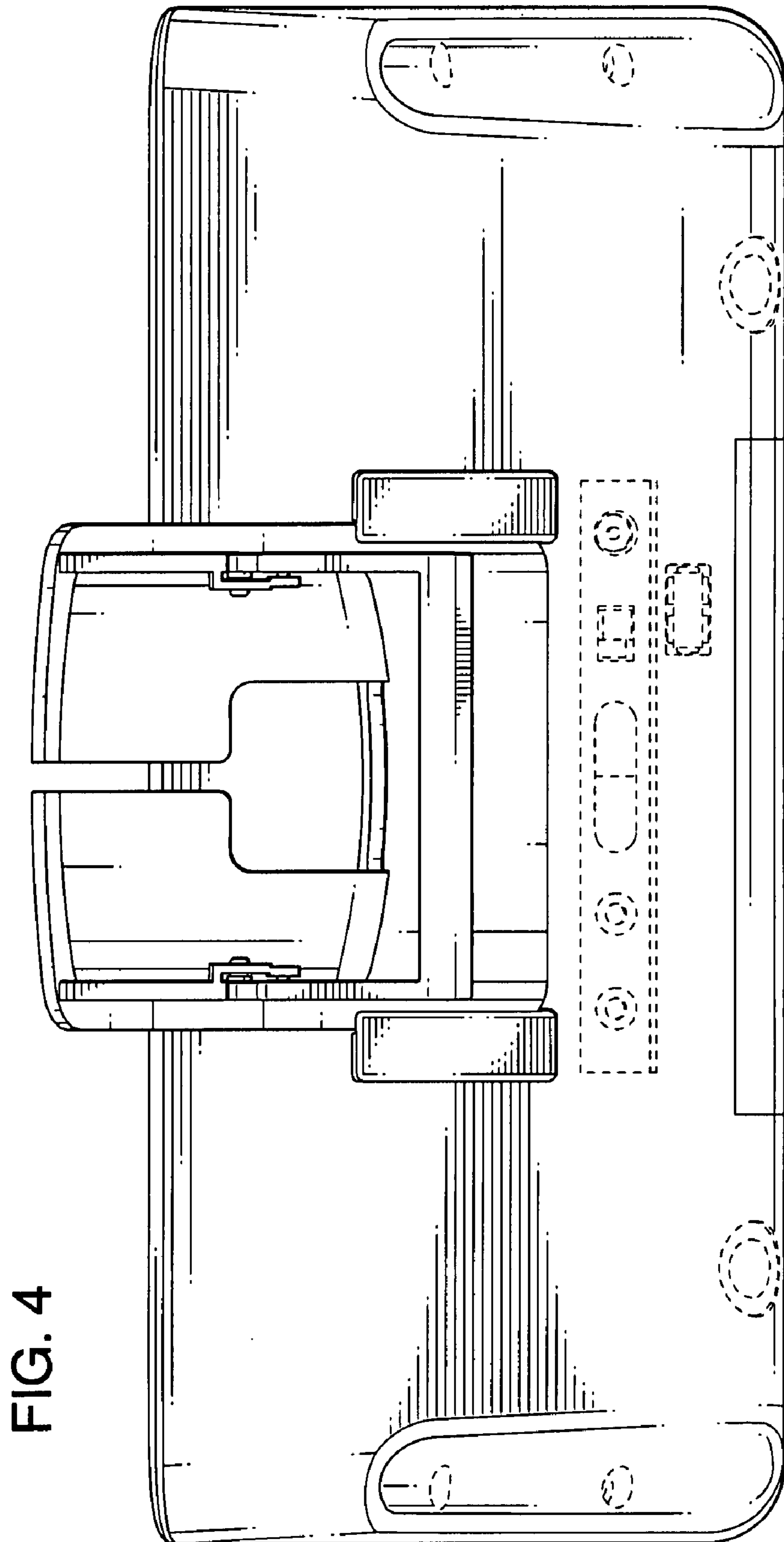


FIG. 4

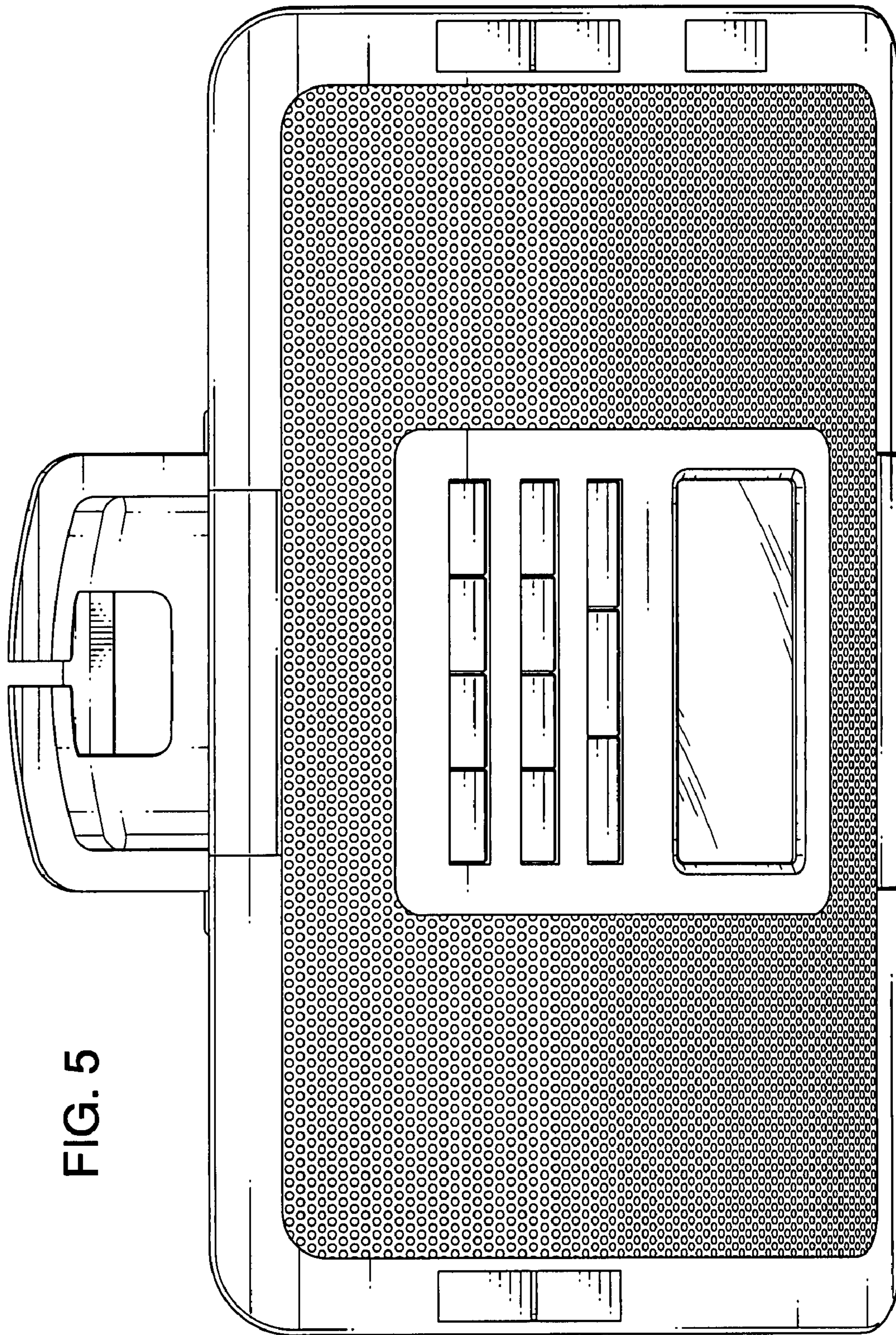


FIG. 5

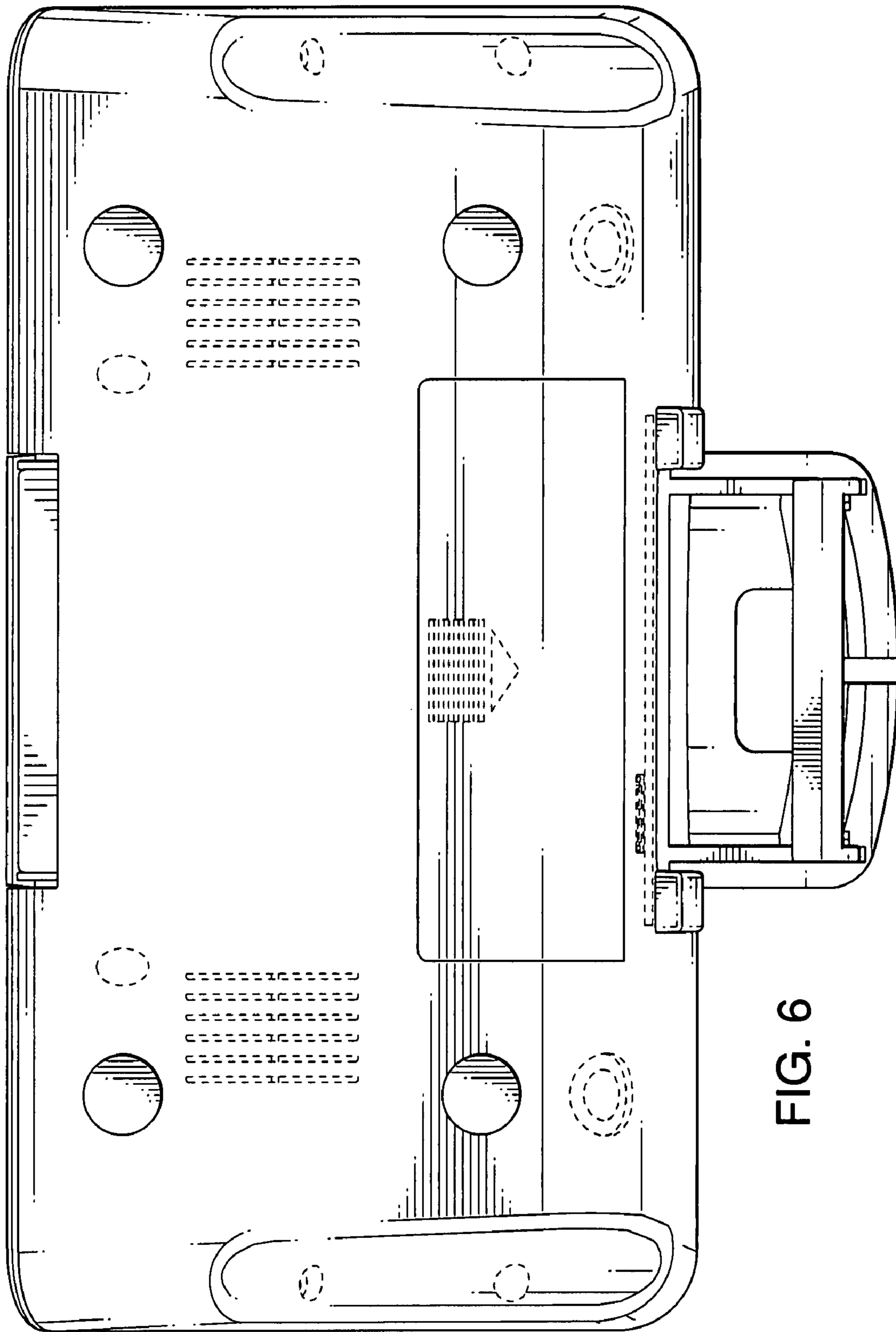


FIG. 6