

US00D561164S

(12) **United States Design Patent**
Muto

(10) **Patent No.:** **US D561,164 S**
(45) **Date of Patent:** **** Feb. 5, 2008**

(54) **DIGITAL AUDIO DISC PLAYER FOR AN AUTOMOBILE**

(75) Inventor: **Kanji Muto**, Kadoma (JP)

(73) Assignee: **Matsushita Electric Industrial Co., Ltd.**, Osaka (JP)

(**) Term: **14 Years**

(21) Appl. No.: **29/270,196**

(22) Filed: **Dec. 18, 2006**

(30) **Foreign Application Priority Data**

Sep. 8, 2006 (JP) 2006-024068

(51) **LOC (8) Cl.** **14-01**

(52) **U.S. Cl.** **D14/157**

(58) **Field of Classification Search** D14/135-136, D14/157, 168, 197-198, 188, 257, 258; 360/99.02, 360/99.07, 75.11, 75.21, 77.21; 720/612, 720/619, 647, 655; 455/344, 347-351; 369/77.11
See application file for complete search history.

(56) **References Cited**

U.S. PATENT DOCUMENTS

- D391,958 S 3/1998 Miyazawa et al.
- D400,529 S 11/1998 Kakizaki
- 5,848,042 A * 12/1998 Takahashi et al. 720/647
- D445,775 S 7/2001 Hori et al.
- D446,510 S 8/2001 Hori et al.
- D446,781 S 8/2001 Hori et al.
- D448,014 S 9/2001 Hori et al.
- D452,859 S 1/2002 Le Thellec
- D471,887 S 3/2003 Nishii et al.
- D475,691 S 6/2003 Nishii et al.
- D483,731 S 12/2003 Yoshihara
- D483,733 S 12/2003 Yoshihara
- D495,314 S 8/2004 Mizokawa et al.

- D495,315 S 8/2004 Mizokawa et al.
- D496,648 S * 9/2004 Uehara D14/168
- D515,547 S 2/2006 Mizokawa et al.
- D515,549 S 2/2006 Mizokawa et al.
- D515,550 S 2/2006 Mizokawa et al.
- D516,536 S 3/2006 Mizokawa
- D533,535 S * 12/2006 Mizokawa D14/157

OTHER PUBLICATIONS

Muto, U.S. Design Application entitled "Digital Audio Disc Player For An Automobile," U.S. Appl. No. 29/270,179, filed Dec. 18, 2006.
Muto, U.S. Design Application entitled "Digital Audio Disc Player For An Automobile," U.S. Appl. No. 29/270,180, filed Dec. 18, 2006.

* cited by examiner

Primary Examiner—Nanda Bondade
(74) *Attorney, Agent, or Firm*—Brinks Hofer Gilson & Lione

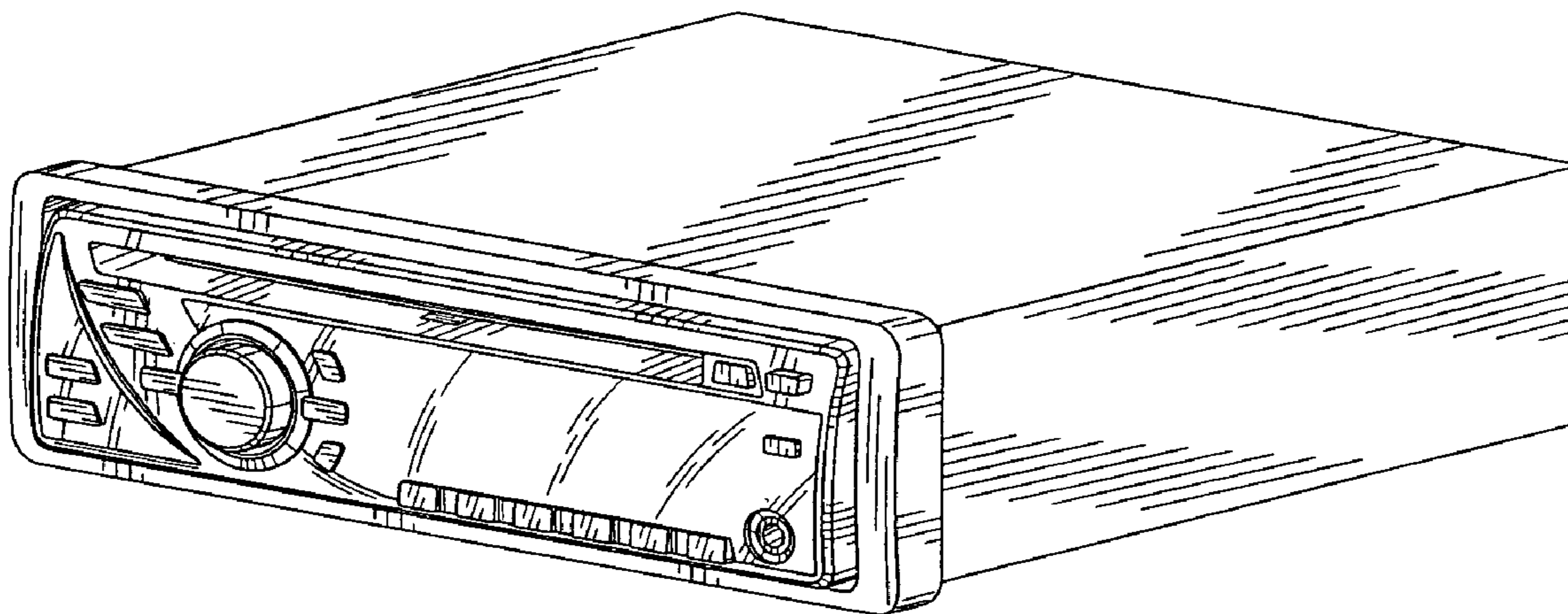
(57) **CLAIM**

I claim the ornamental design for a digital audio disc player for an automobile, as shown and described.

DESCRIPTION

FIG. 1 is a top perspective view of a digital audio disc player for an automobile of the present invention;
FIG. 2 is a front view thereof;
FIG. 3 is a top view thereof;
FIG. 4 is a first side view thereof;
FIG. 5 is a second side view thereof;
FIG. 6 is a rear view thereof; and,
FIG. 7 is a bottom view thereof.

1 Claim, 4 Drawing Sheets



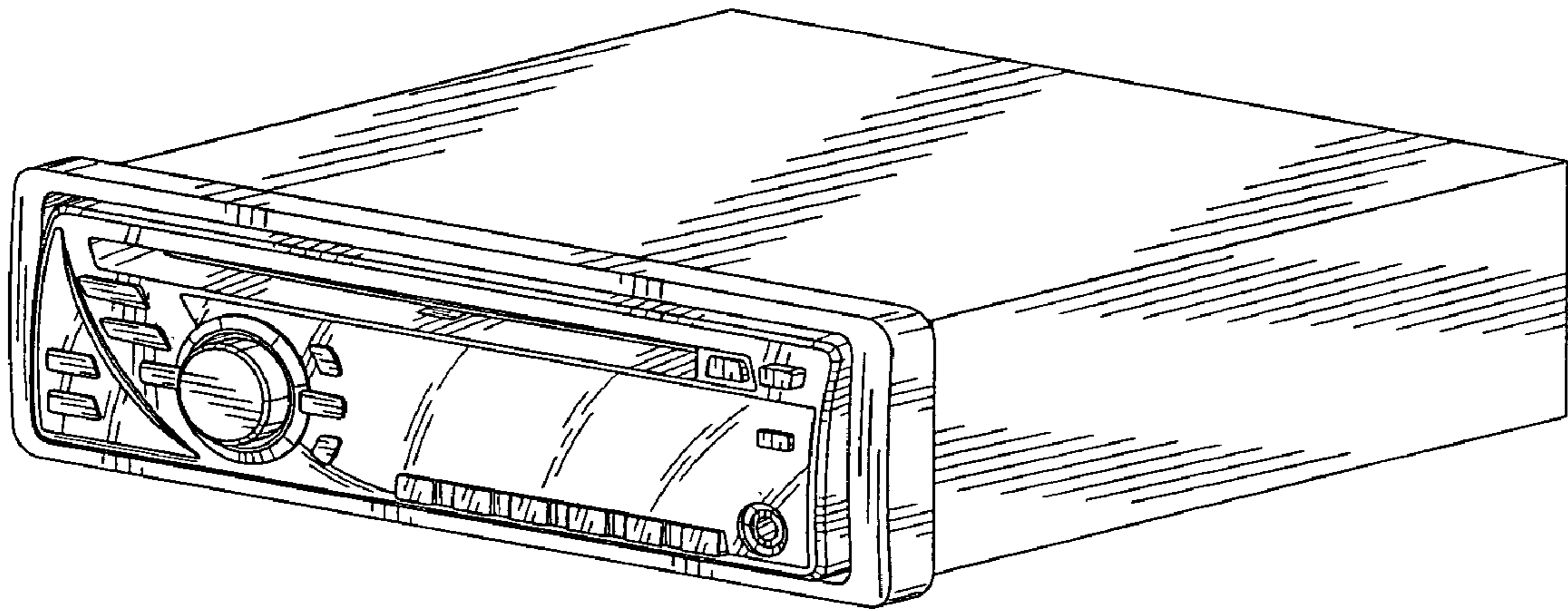


FIG. 1

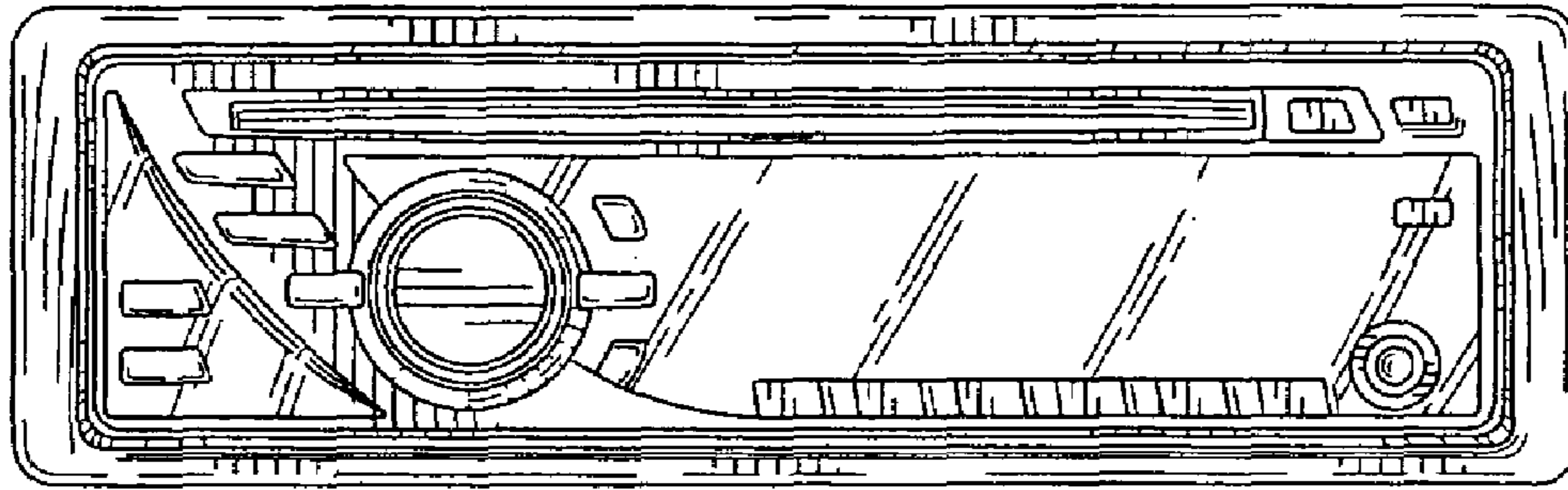


FIG. 2

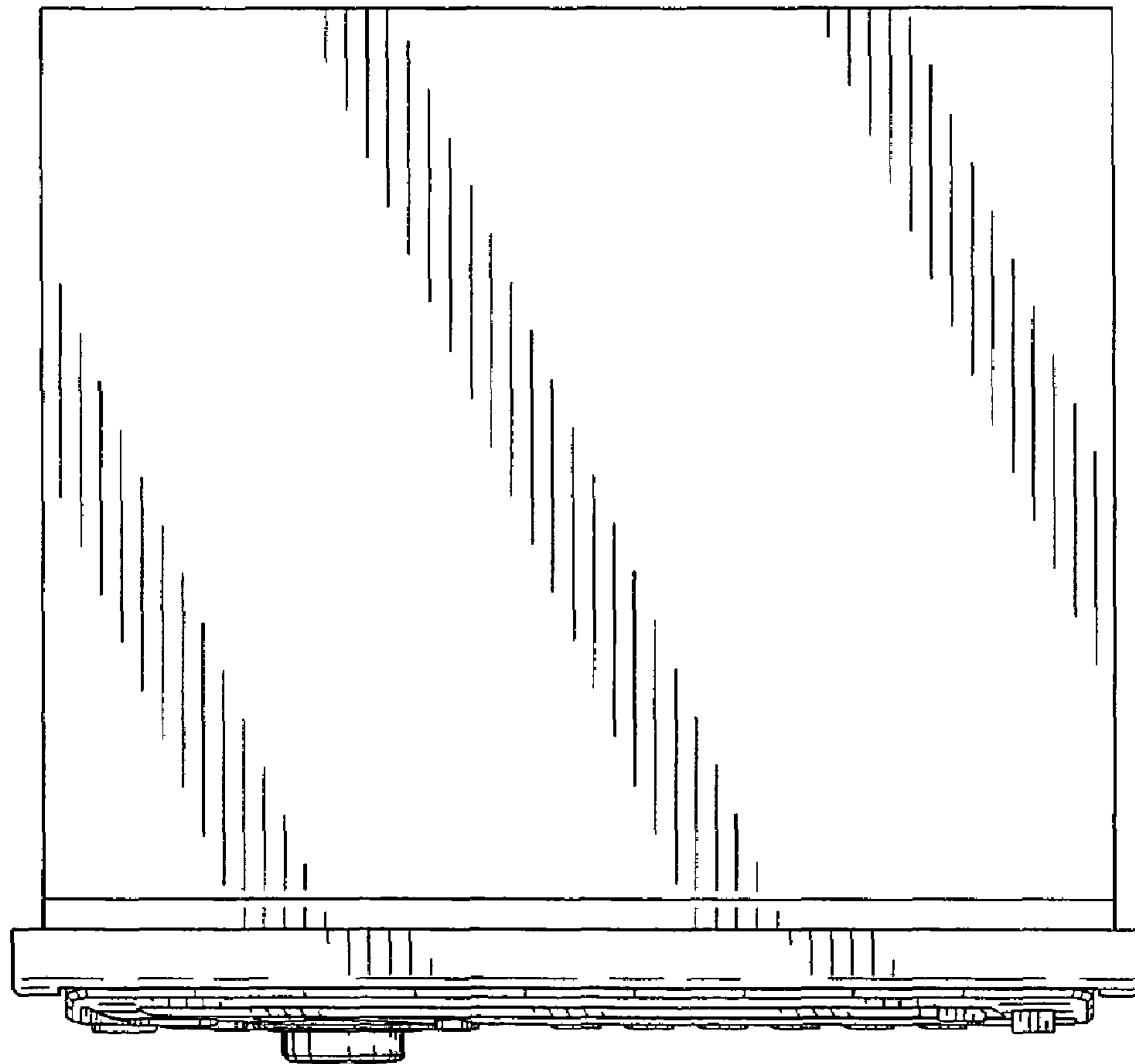


FIG. 3

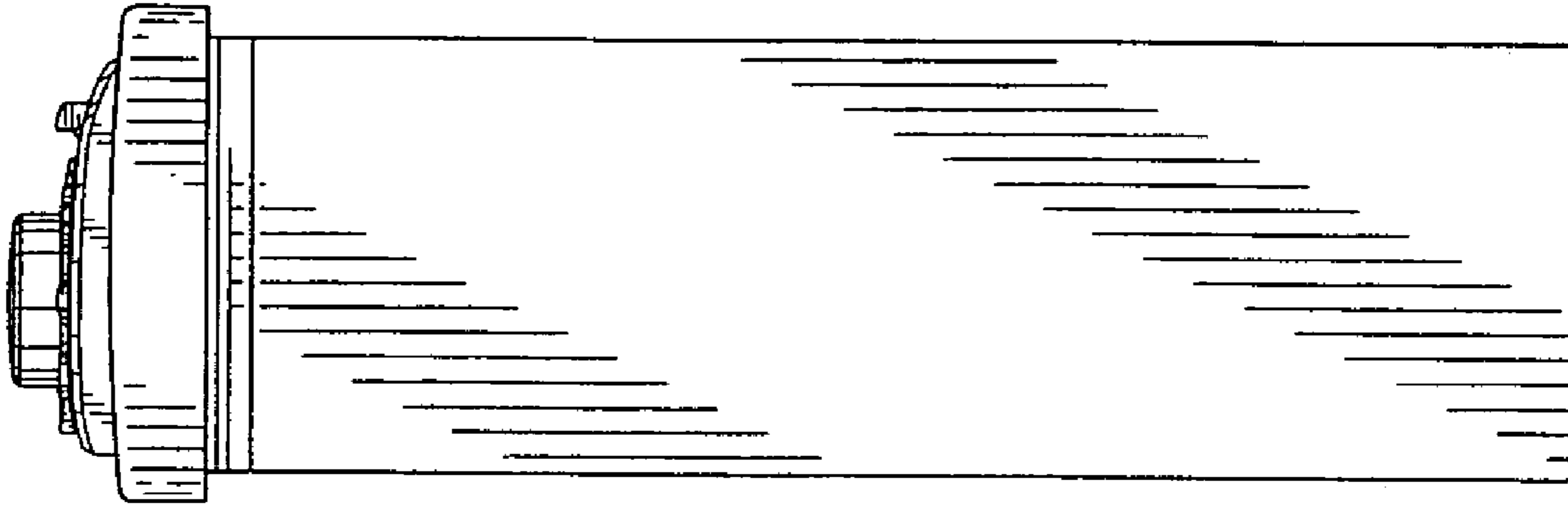


FIG. 4

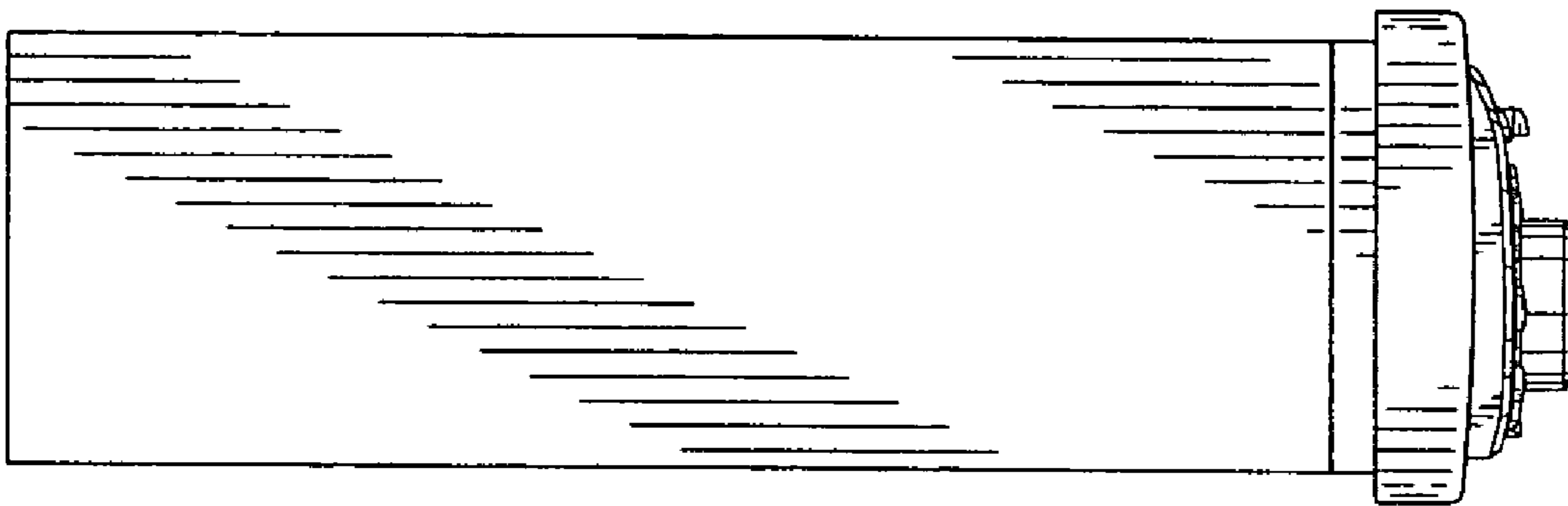


FIG. 5

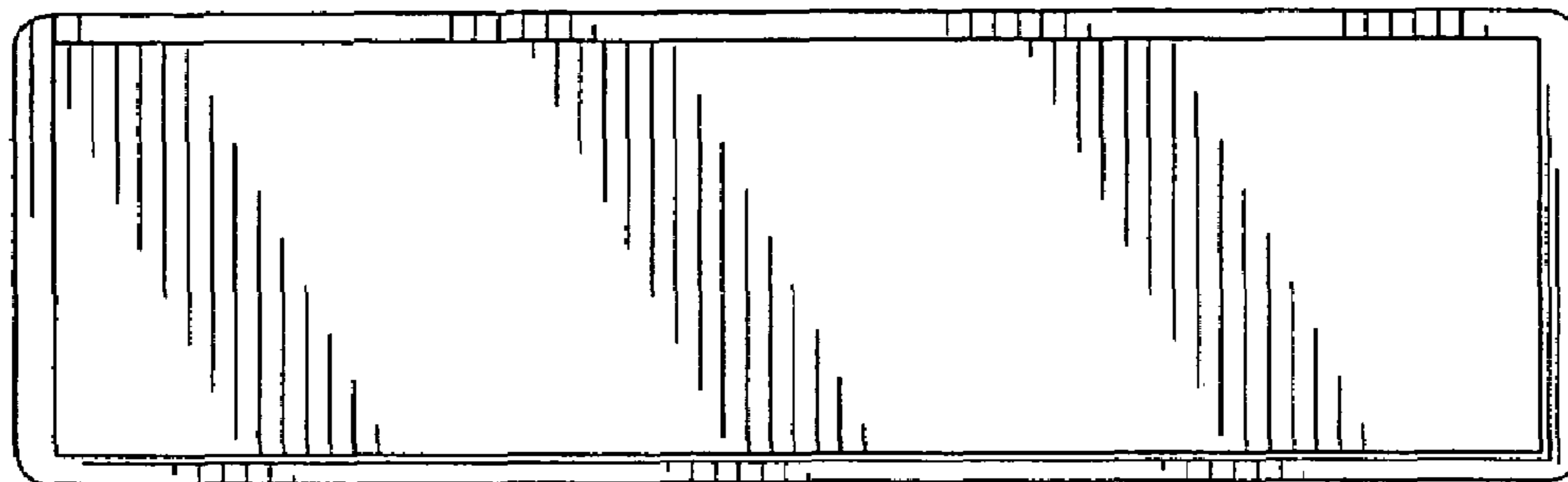


FIG. 6

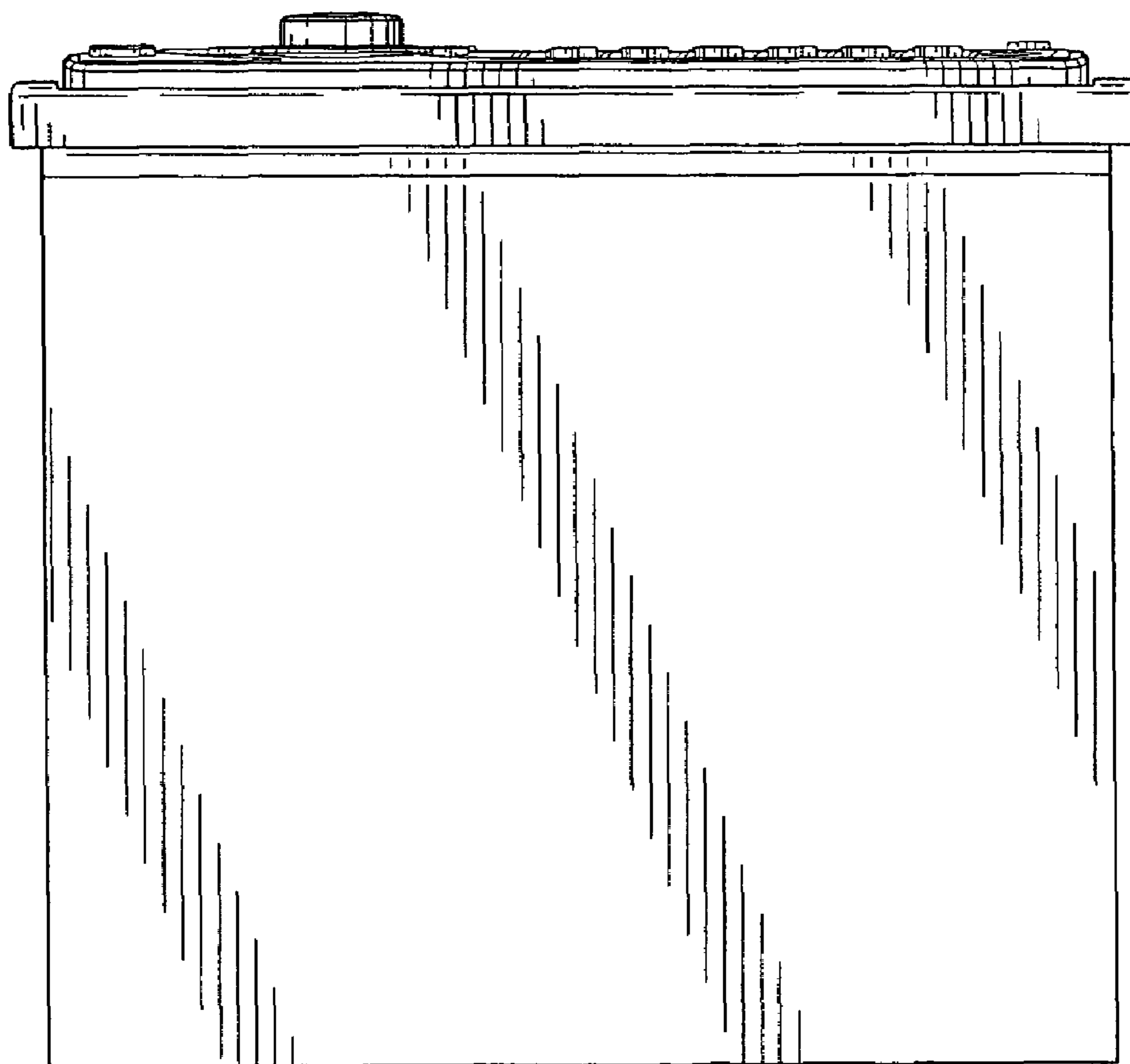


FIG. 7