

US00D561162S

(12) **United States Design Patent**  
**Muto**

(10) **Patent No.:** **US D561,162 S**  
(45) **Date of Patent:** **\*\* Feb. 5, 2008**

(54) **DIGITAL AUDIO DISC PLAYER FOR AN AUTOMOBILE**

(75) Inventor: **Kanji Muto**, Kadoma (JP)

(73) Assignee: **Matsushita Electric Industrial Co., Ltd.**, Osaka (JP)

(\*\*) Term: **14 Years**

(21) Appl. No.: **29/270,179**

(22) Filed: **Dec. 18, 2006**

(30) **Foreign Application Priority Data**

Sep. 8, 2006 (JP) ..... 2006-024071

(51) **LOC (8) Cl.** ..... **14-01**

(52) **U.S. Cl.** ..... **D14/157**

(58) **Field of Classification Search** ..... D14/135-136, D14/157, 168, 197-198, 188, 257, 258; 360/99.02, 360/99.07; 369/75.11, 75.21, 77.21, 77.11; 720/612, 619, 647, 655; 455/344, 347-351

See application file for complete search history.

(56) **References Cited**

**U.S. PATENT DOCUMENTS**

- D391,958 S 3/1998 Miyazawa et al.
- D400,529 S 11/1998 Kakizaki
- 5,848,042 A \* 12/1998 Takahashi et al. .... 720/647
- D445,775 S 7/2001 Hori et al.
- D446,510 S 8/2001 Hori et al.
- D446,781 S 8/2001 Hori et al.
- D448,014 S 9/2001 Hori et al.
- D452,859 S 1/2002 Le Thellec
- D471,887 S 3/2003 Nishii et al.
- D475,691 S 6/2003 Nishii et al.
- D483,731 S 12/2003 Yoshihara
- D483,733 S 12/2003 Yoshihara
- D495,314 S 8/2004 Mizokawa et al.

- D495,315 S 8/2004 Mizokawa et al.
- D496,648 S \* 9/2004 Uehara ..... D14/168
- D515,547 S 2/2006 Mizokawa et al.
- D515,549 S 2/2006 Mizokawa et al.
- D515,550 S 2/2006 Mizokawa et al.
- D516,536 S 3/2006 Mizokawa
- D533,535 S \* 12/2006 Mizokawa ..... D14/157

**OTHER PUBLICATIONS**

Muto, U.S. Design Application entitled "Digital Audio Disc Player For An Automobile," U.S. Appl. No. 29/270,180, filed Dec. 18, 2006.

Muto, U.S. Design Application entitled "Digital Audio Disc Player For An Automobile," U.S. Appl. No. 29/270,196, filed Dec. 18, 2006.

\* cited by examiner

*Primary Examiner*—Nanda Bondade

(74) *Attorney, Agent, or Firm*—Brinks Hofer Gilson & Lione

(57) **CLAIM**

I claim the ornamental design for a digital audio disc player for an automobile, as shown and described.

**DESCRIPTION**

FIG. 1 is a top perspective view of a digital audio disc player for an automobile of the present invention;

FIG. 2 is a front view thereof;

FIG. 3 is a top view thereof;

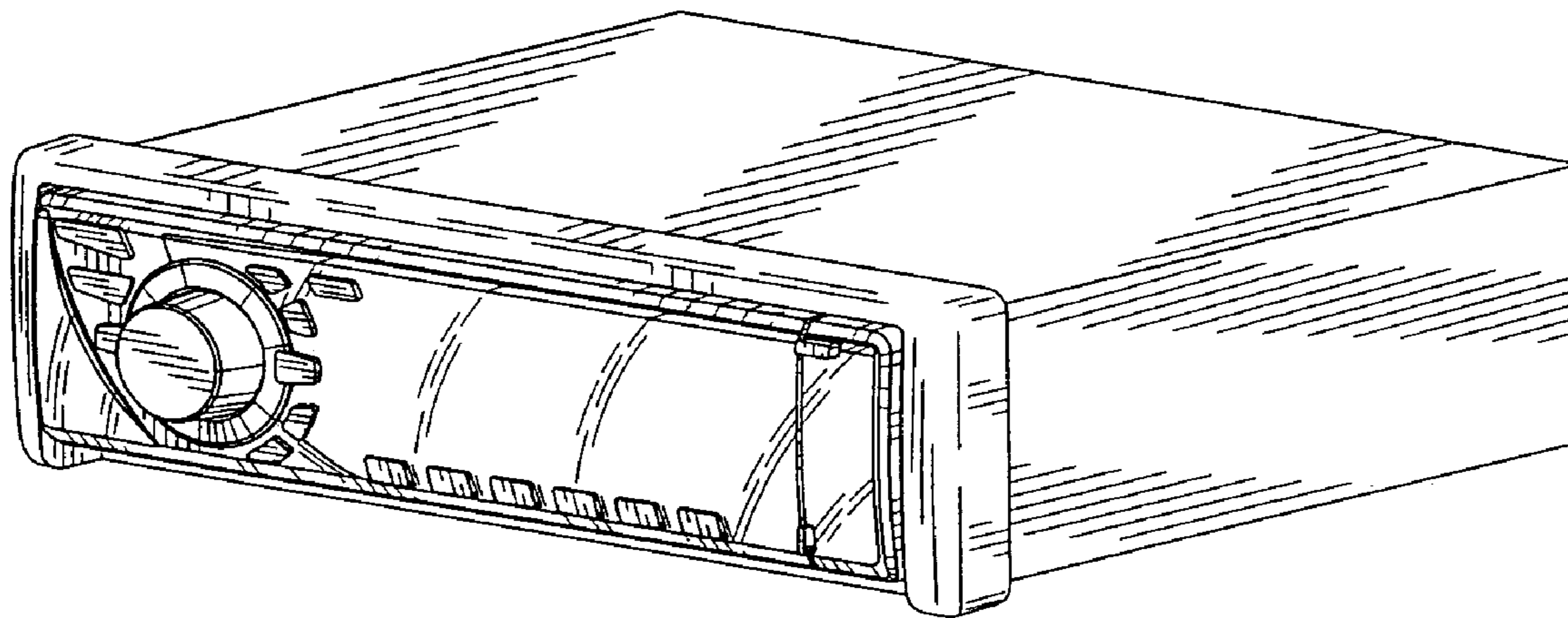
FIG. 4 is a first side view thereof;

FIG. 5 is a second side view thereof;

FIG. 6 is a rear view thereof; and,

FIG. 7 is a bottom view thereof.

**1 Claim, 4 Drawing Sheets**



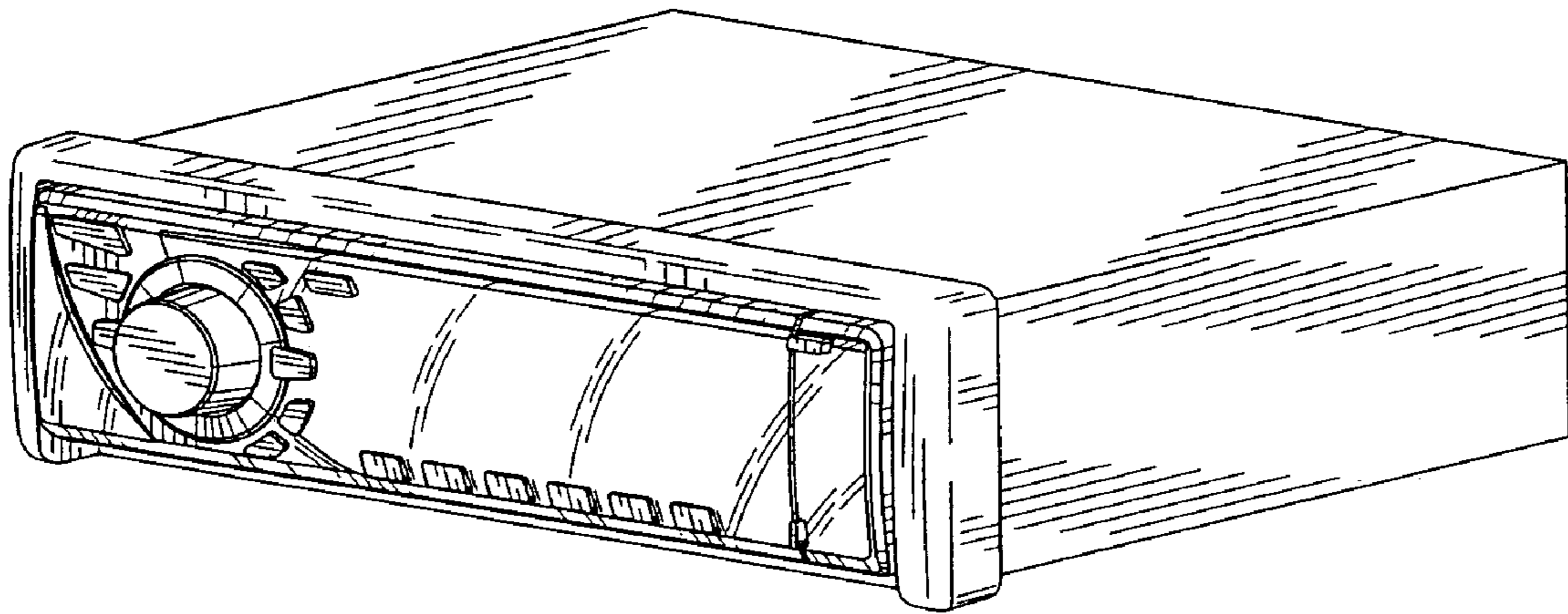


FIG.1

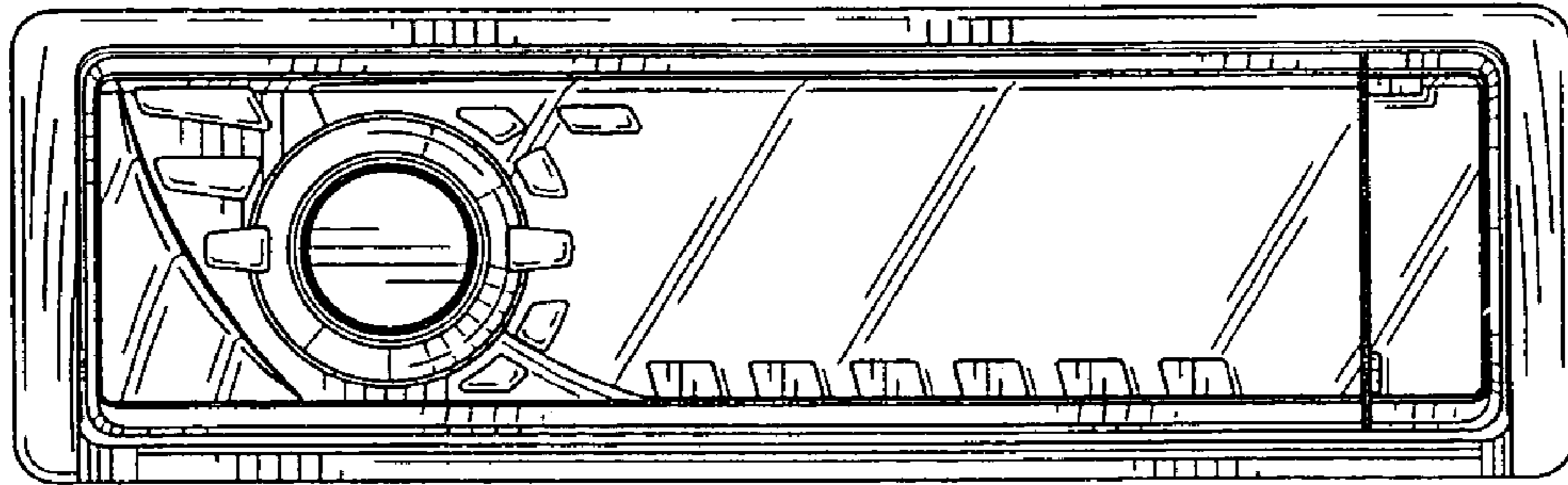


FIG. 2

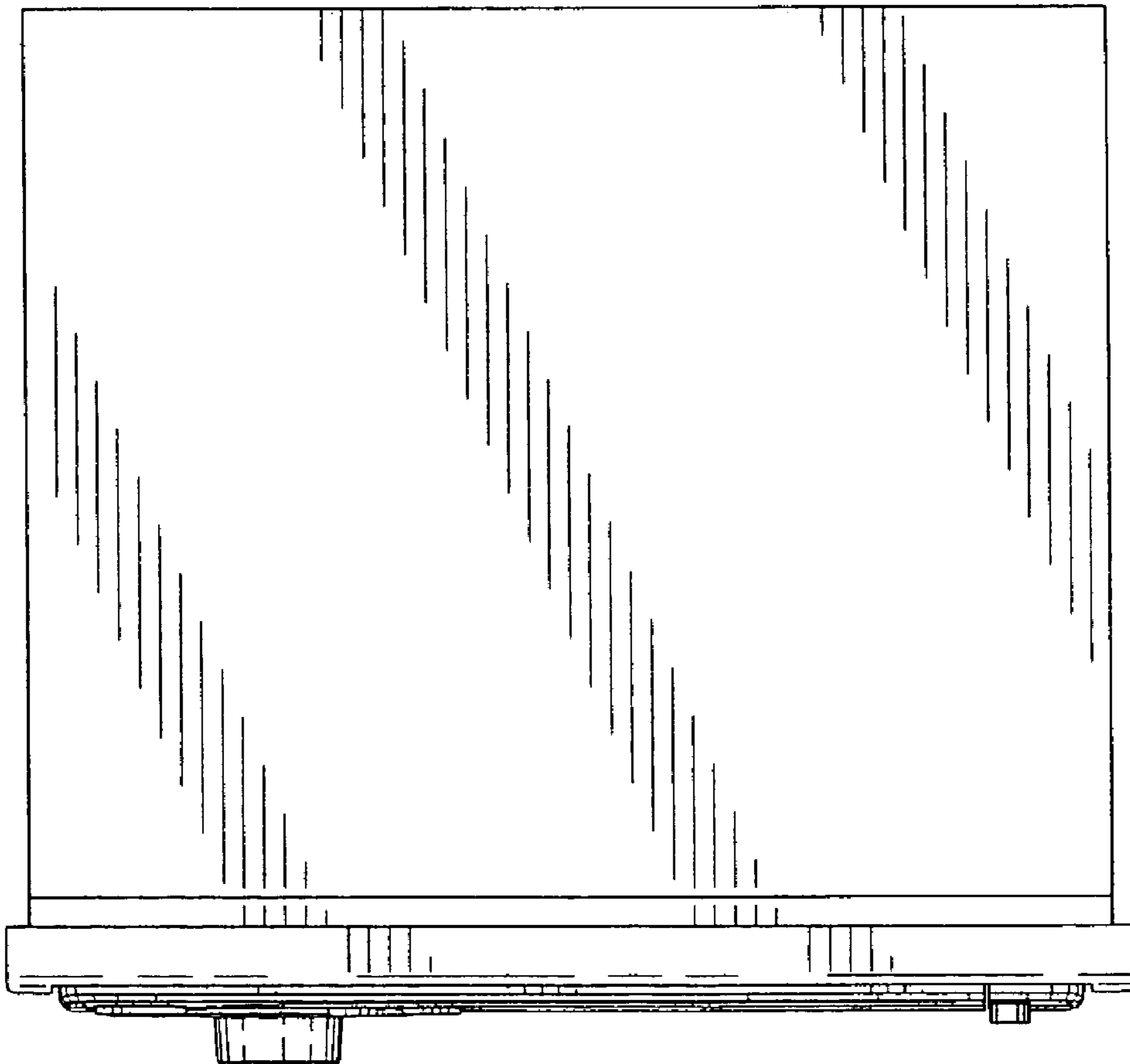
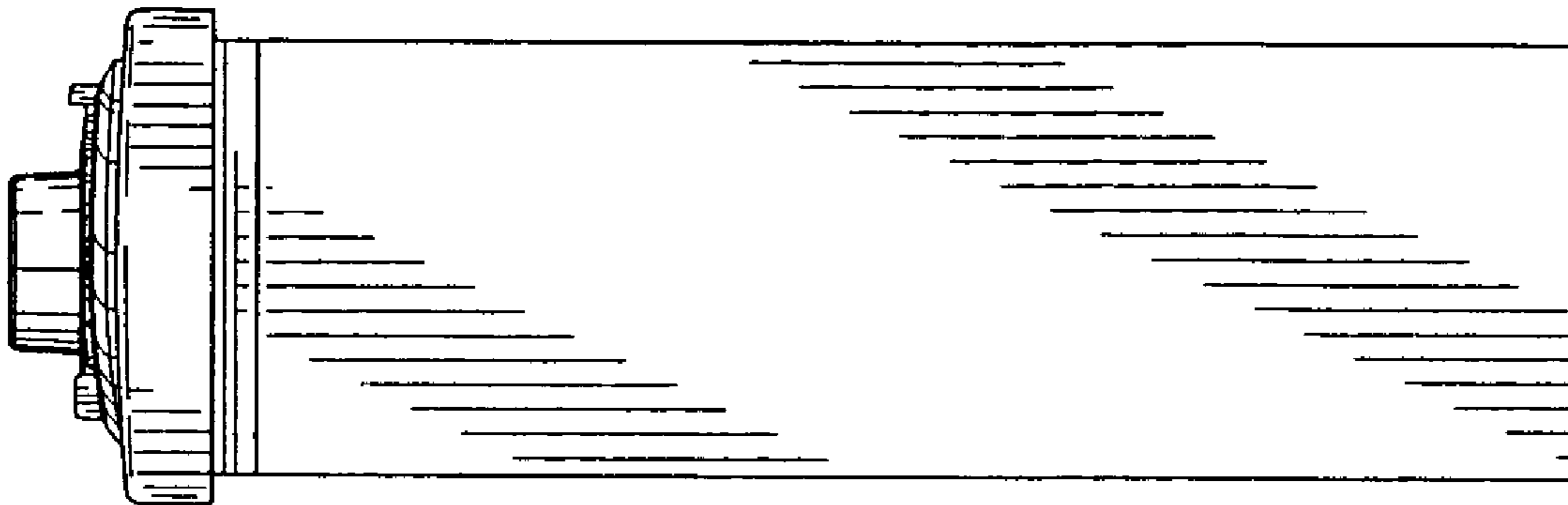
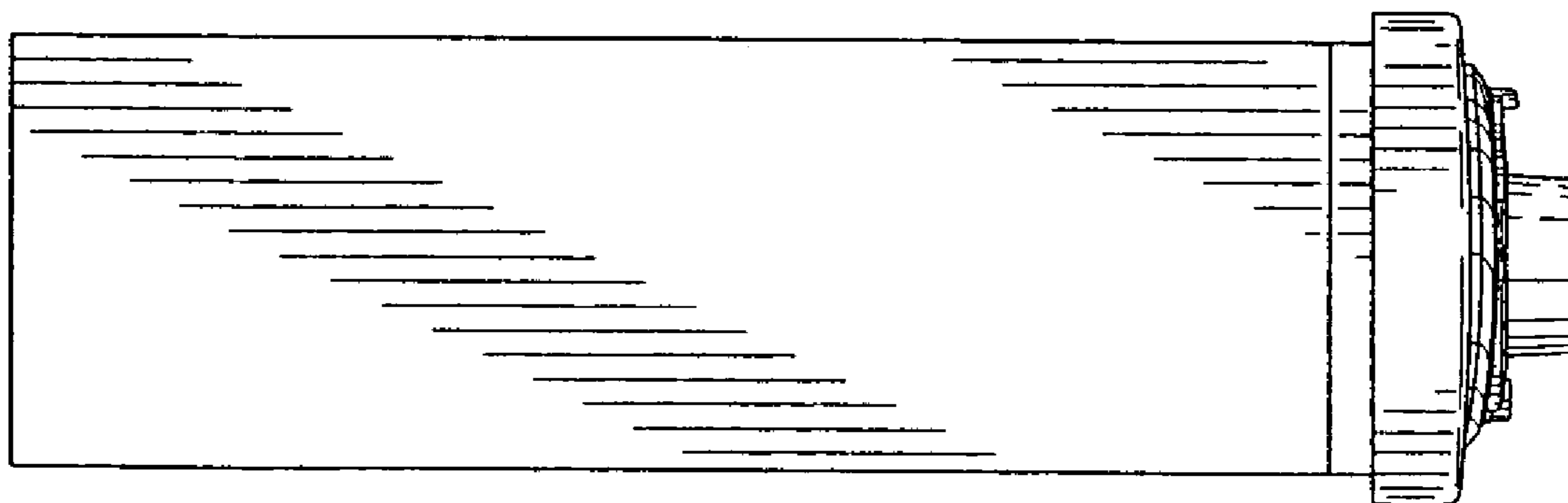


FIG. 3



*FIG. 4*



*FIG. 5*

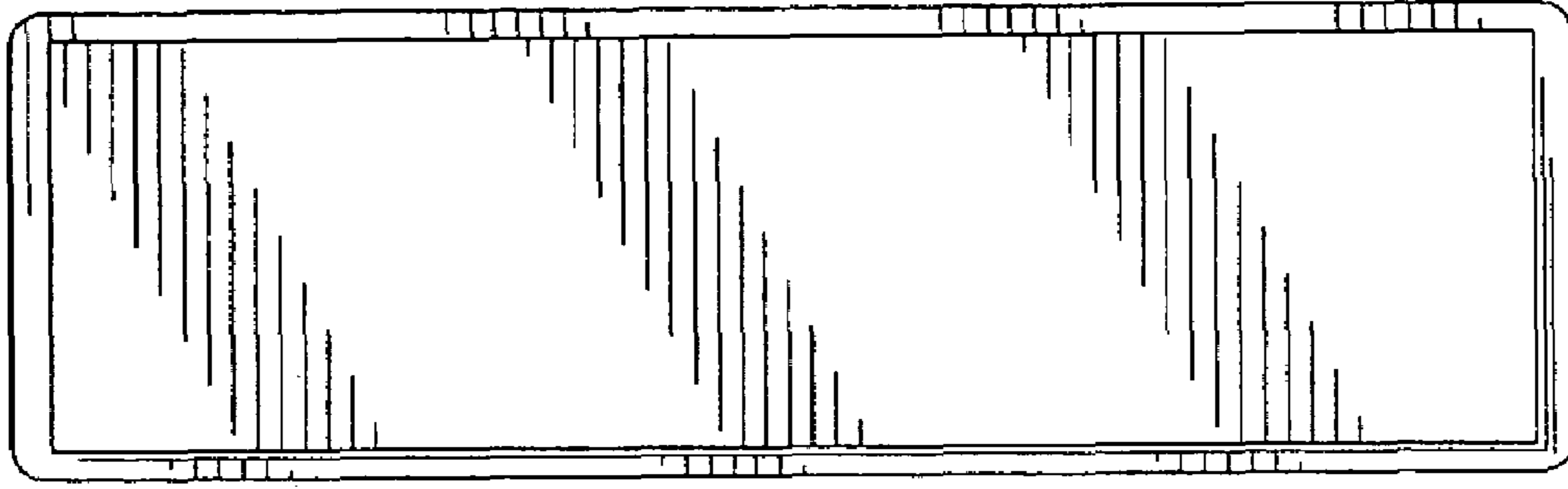


FIG. 6

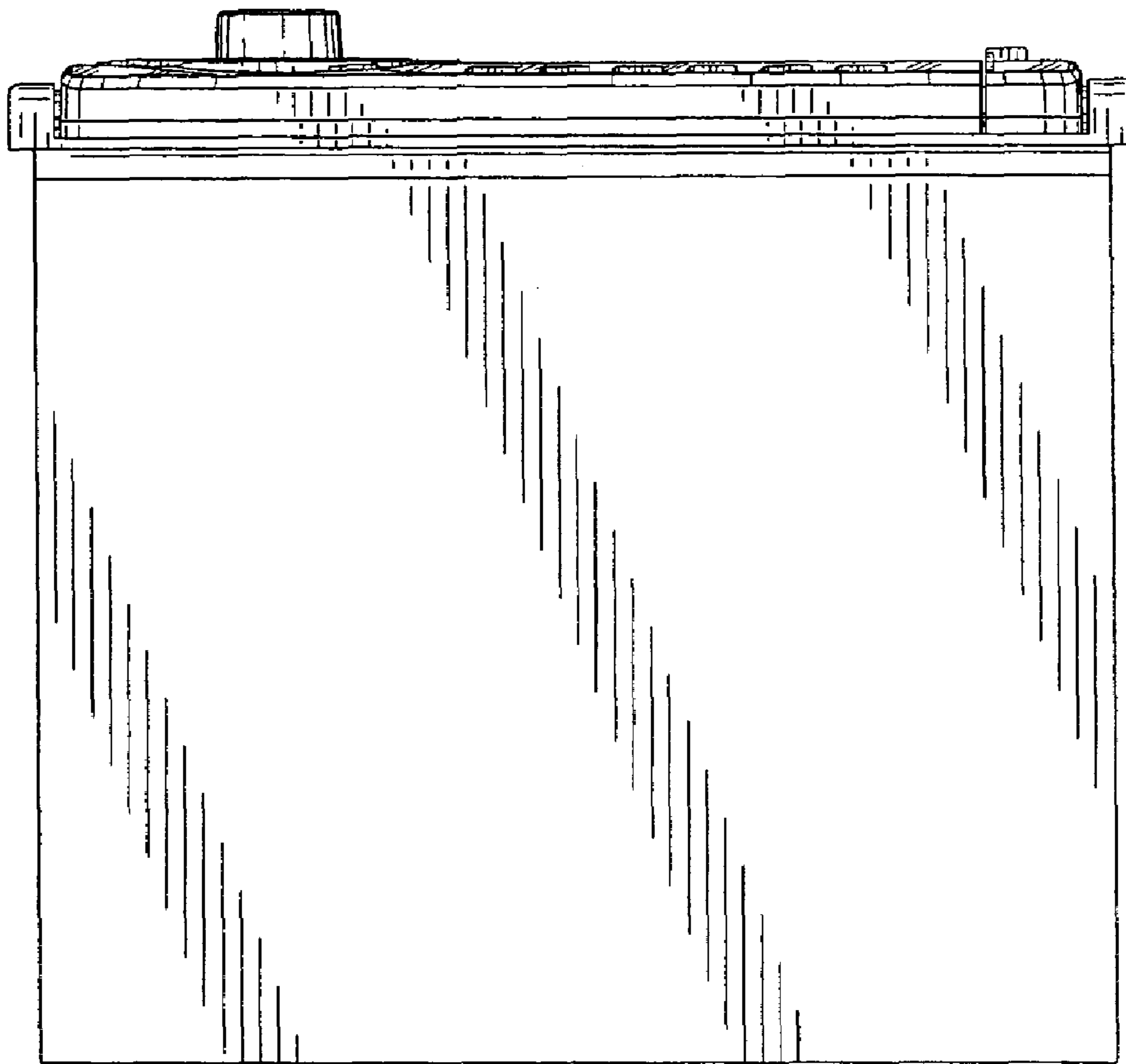


FIG. 7