



US00D561147S

(12) **United States Design Patent**
Finney et al.

(10) **Patent No.:** **US D561,147 S**

(45) **Date of Patent:** **** Feb. 5, 2008**

(54) **HOUSING FOR A COMMUNICATION DEVICE**

(74) *Attorney, Agent, or Firm*—David S. Noskowitz

(75) Inventors: **Mark D. Finney**, Chicago, IL (US);
Sung-Gul Hwang, Seoul (KR); **Cheol Woo Park**, Chicago, IL (US); **Tim Sutherland**, Gurnee, IL (US)

(57) **CLAIM**

The ornamental design for a housing for a communication device, as shown and described.

(73) Assignee: **Motorola, Inc.**, Schaumburg, IL (US)

DESCRIPTION

(**) Term: **14 Years**

(21) Appl. No.: **29/247,642**

(22) Filed: **Jun. 30, 2006**

(51) **LOC (8) Cl.** **14-03**

(52) **U.S. Cl.** **D14/138**

(58) **Field of Classification Search** D14/137,
D14/138, 147, 218, 247–248, 341–347, 496;
455/90.3, 556.1, 556.2, 575.1, 575.3, 575.4;
379/433.01–433.13; 361/814; 348/14.02

See application file for complete search history.

FIG. 1 is a perspective view of a first embodiment of an ornamental communication device or similar articles.

FIG. 2 is a front view of the first embodiment thereof.

FIG. 3 is a rear view of the first embodiment thereof.

FIG. 4 is a first side view of the first embodiment thereof.

FIG. 5 is a second side view of the first embodiment thereof.

FIG. 6 is a top view of the first embodiment thereof.

FIG. 7 is a bottom view of the first embodiment thereof.

FIG. 8 is a perspective view of a second embodiment of an ornamental communication device or similar articles.

FIG. 9 is a front view of the second embodiment thereof.

FIG. 10 is a rear view of the second embodiment thereof.

FIG. 11 is a first side view of the second embodiment thereof.

FIG. 12 is a second side view of the second embodiment thereof.

FIG. 13 is a top view of the second embodiment thereof; and,

FIG. 14 is a bottom view of the second embodiment thereof.

The broken lines in FIGS. 1–7, that are immediately adjacent the shaded areas and encompass non-shaded regions, represent the bounds of the claimed design in the embodiment in which they are shown, while all other broken lines are directed to environment and are for illustrative purposes only; the broken lines form no part of the claimed design in the embodiment in which they are shown.

(56) **References Cited**

U.S. PATENT DOCUMENTS

D434,034 S *	11/2000	Burke et al.	D14/341
D454,550 S *	3/2002	Hayasaka et al.	D14/138
D464,032 S *	10/2002	Hayasaka et al.	D14/138
D464,632 S *	10/2002	Nagai et al.	D14/138
D466,096 S *	11/2002	Takada	D14/138
6,704,417 B2 *	3/2004	Kim	379/433.07
D494,151 S *	8/2004	Walliser et al.	D14/138

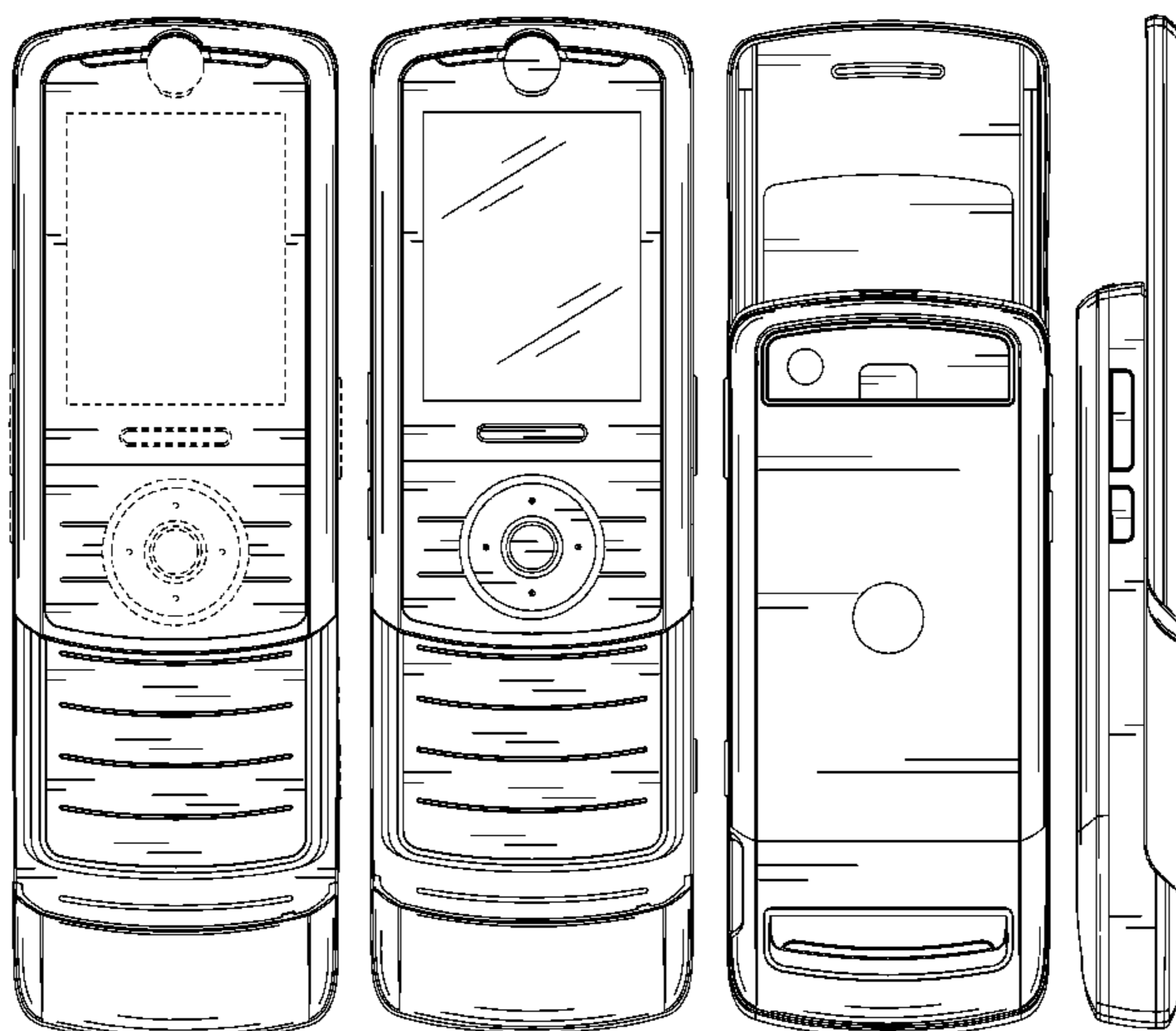
(Continued)

OTHER PUBLICATIONS

Motorola RIZR, announced Jul. 2006, [online], [retrieved on Feb. 16, 2007]. Retrieved from Internet, <URL: <http://www.gsmarena.com>>.*

Primary Examiner—Jeffrey Asch
Assistant Examiner—Bridget L Eland

1 Claim, 8 Drawing Sheets



US D561,147 S

Page 2

U.S. PATENT DOCUMENTS

D496,644 S *	9/2004	Yoo et al.	D14/138	D534,890 S *	1/2007	Kim	D14/138
D500,750 S *	1/2005	Arnholt et al.	D14/138	D534,892 S *	1/2007	Lee et al.	D14/138
D511,342 S *	11/2005	Chien	D14/346	D535,275 S *	1/2007	Kim et al.	D14/138
D513,742 S *	1/2006	Arnholt et al.	D14/138	D539,772 S *	4/2007	Park et al.	D14/138
D520,484 S *	5/2006	Lee et al.	D14/138	D544,459 S *	6/2007	Wang	D14/138
D526,300 S *	8/2006	Lee	D14/138	D548,213 S *	8/2007	Lee et al.	D14/138
D528,095 S *	9/2006	Kwon et al.	D14/138	2005/0266900 A1 *	12/2005	Zou	455/575.3
D529,471 S *	10/2006	Park	D14/138	2005/0282594 A1 *	12/2005	Oldham	455/575.3
D529,472 S *	10/2006	Kim et al.	D14/138	2006/0025184 A1 *	2/2006	Cho et al.	455/575.4
D529,891 S *	10/2006	Hyun et al.	D14/138				

* cited by examiner

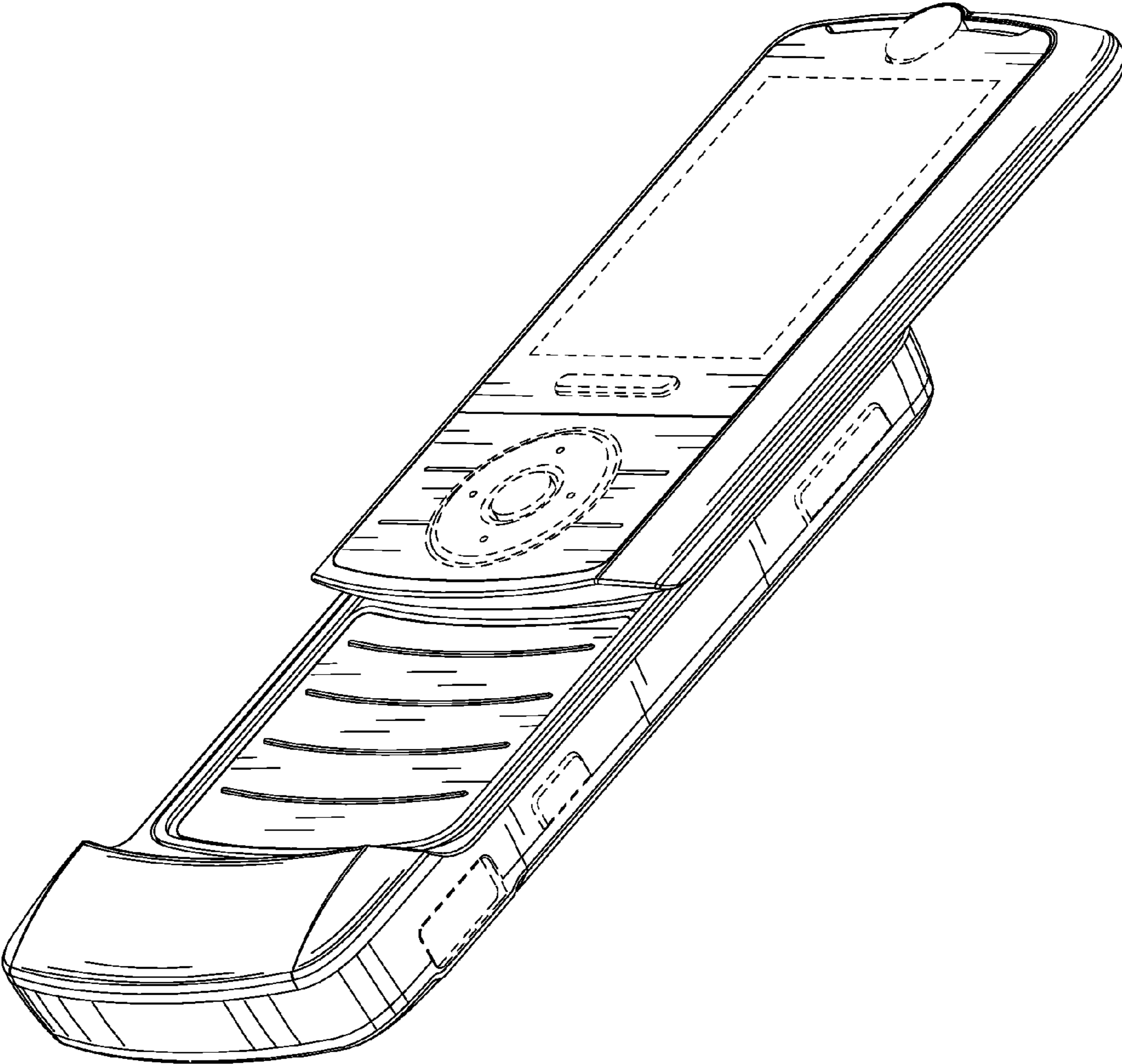


FIG. 1

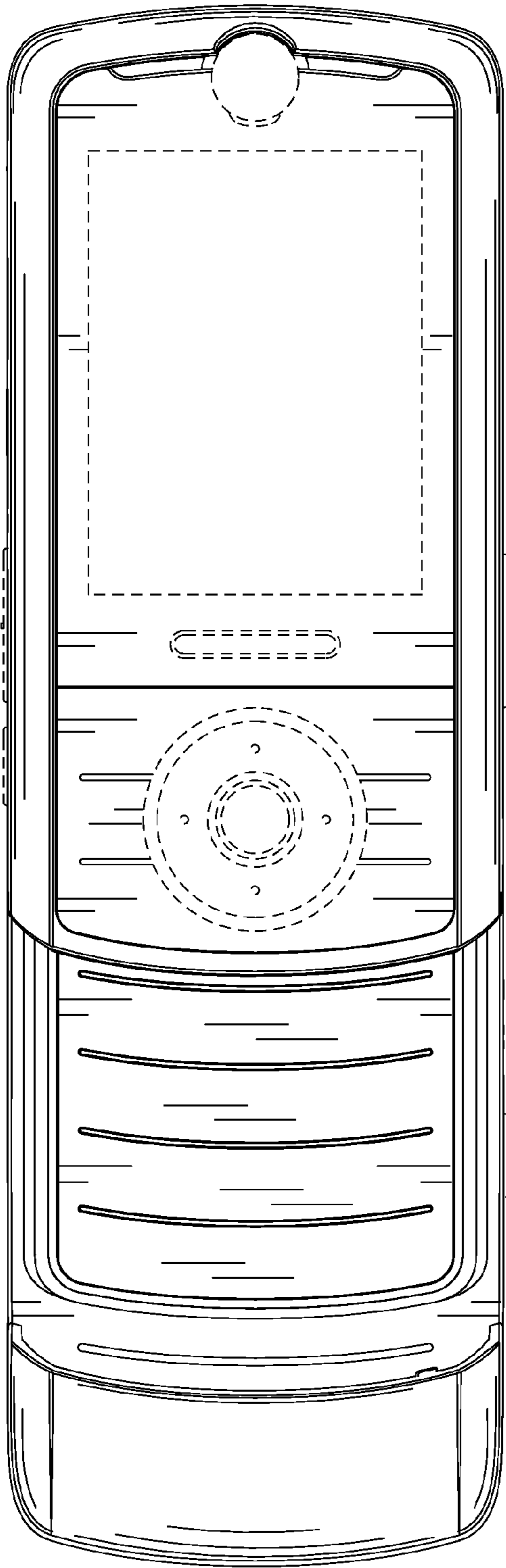


FIG. 2

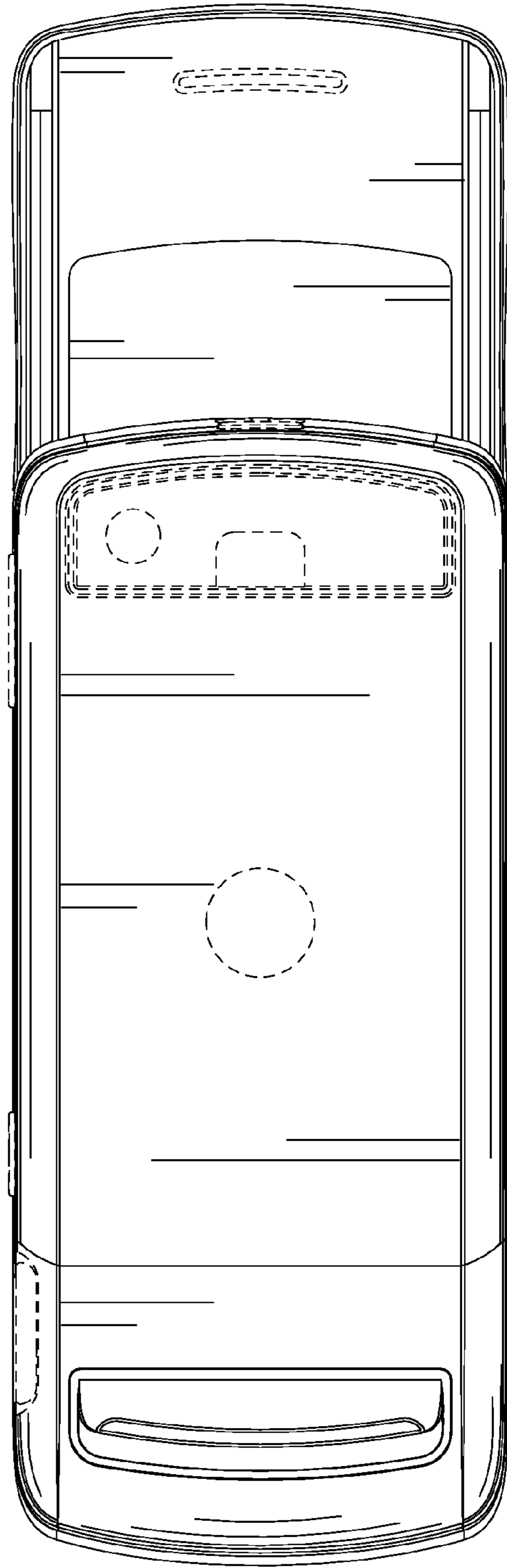


FIG. 3

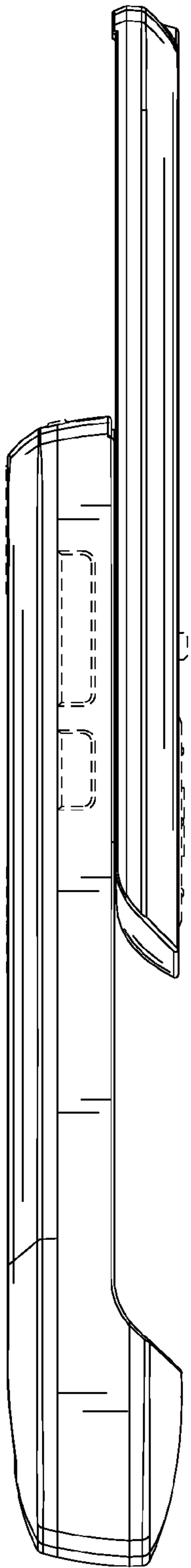


FIG. 4

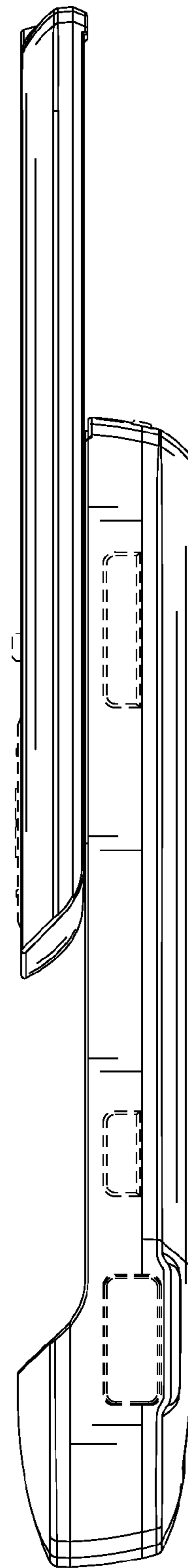


FIG. 5

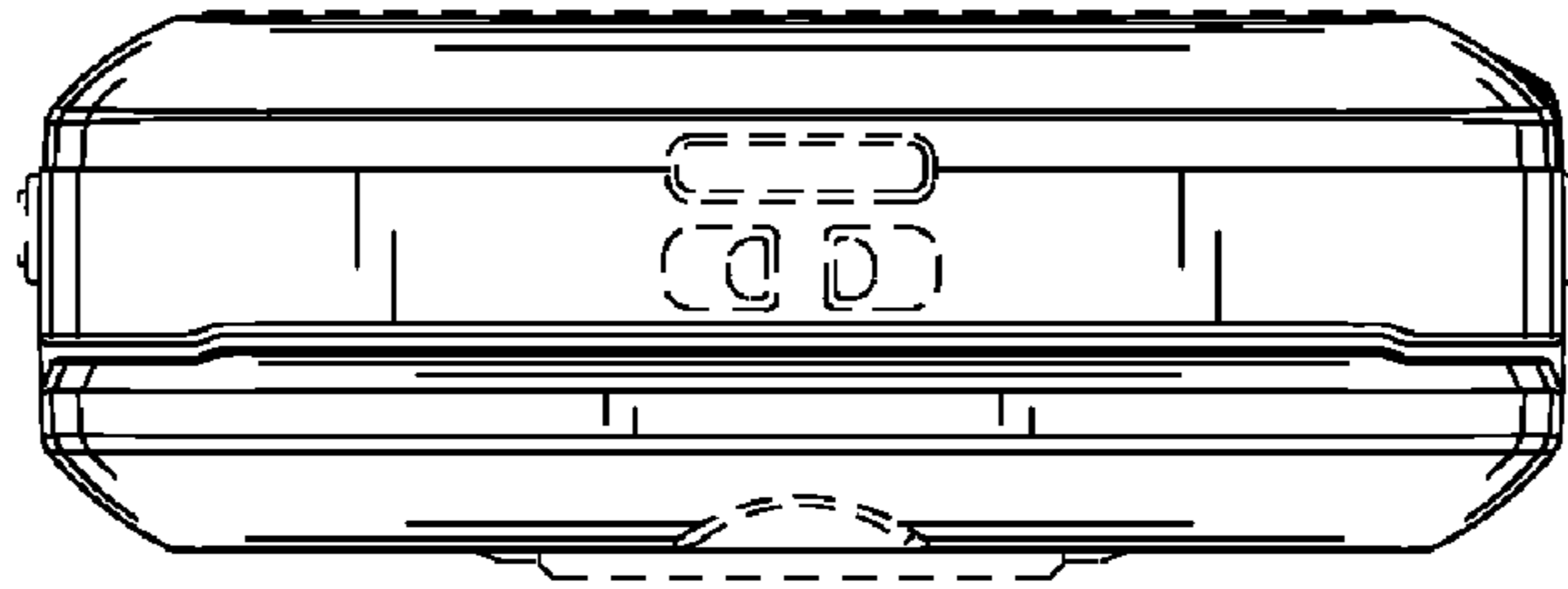


FIG. 6

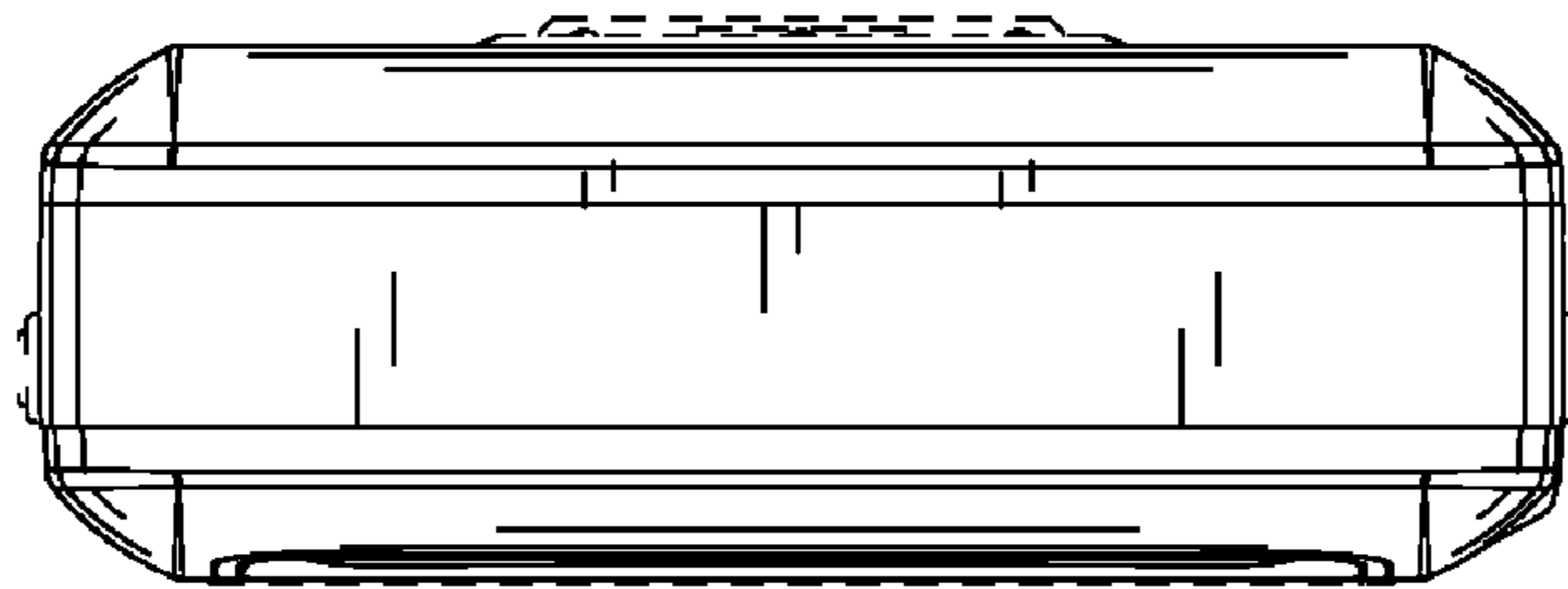


FIG. 7

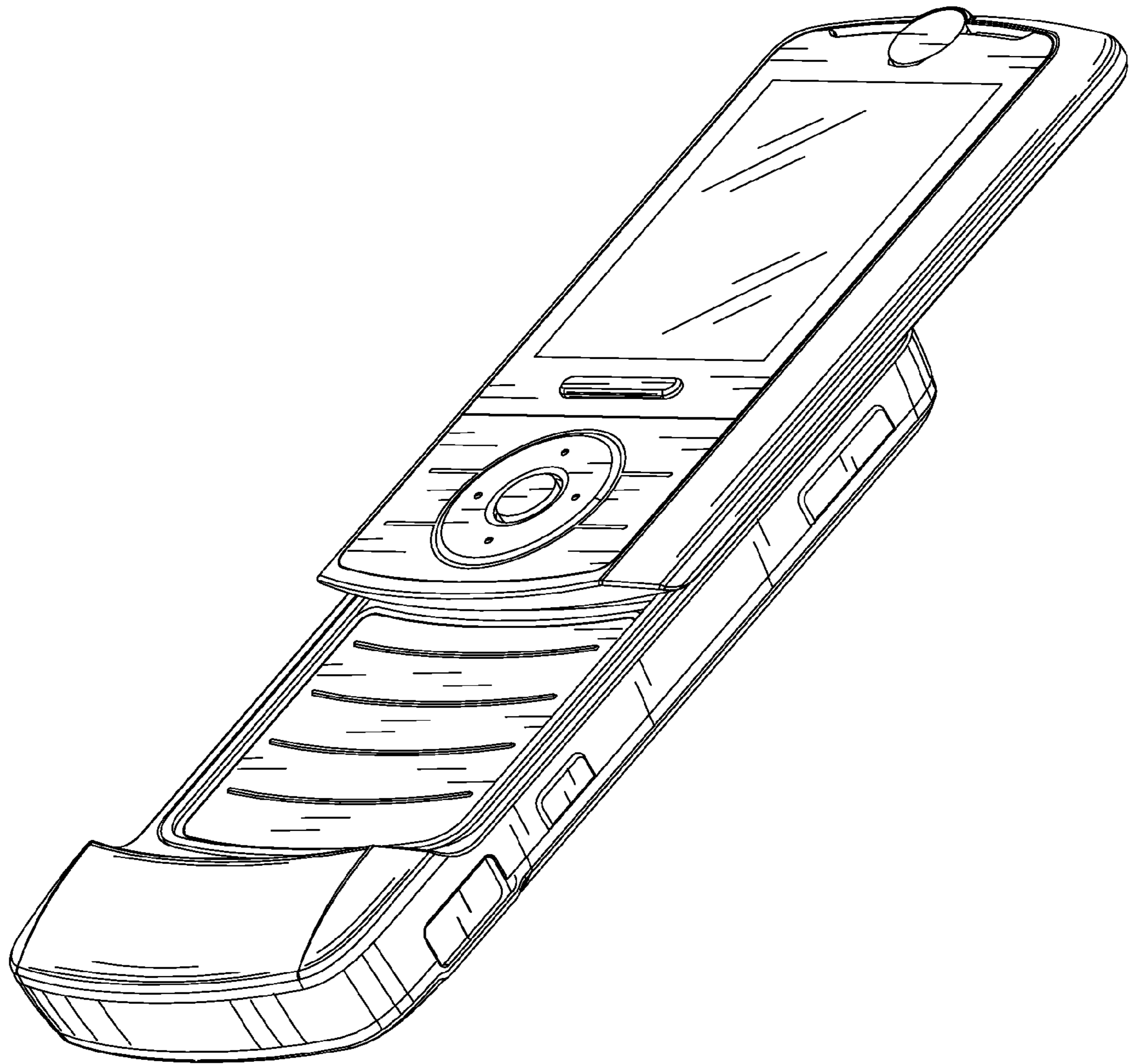


FIG. 8

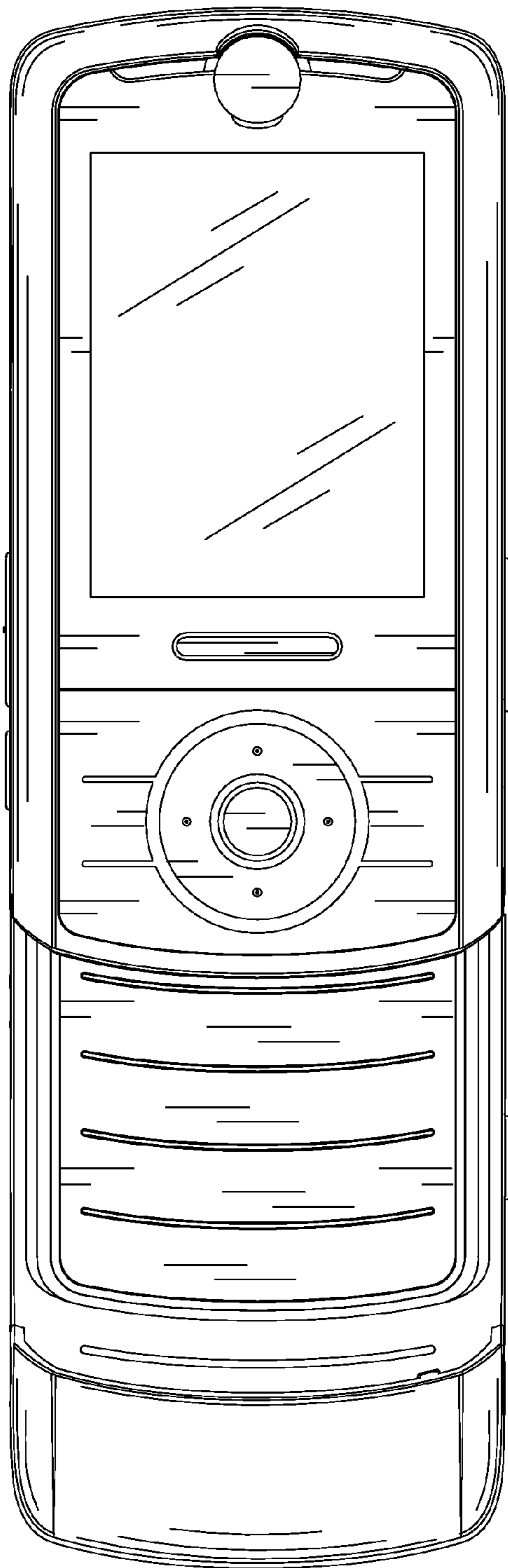


FIG. 9

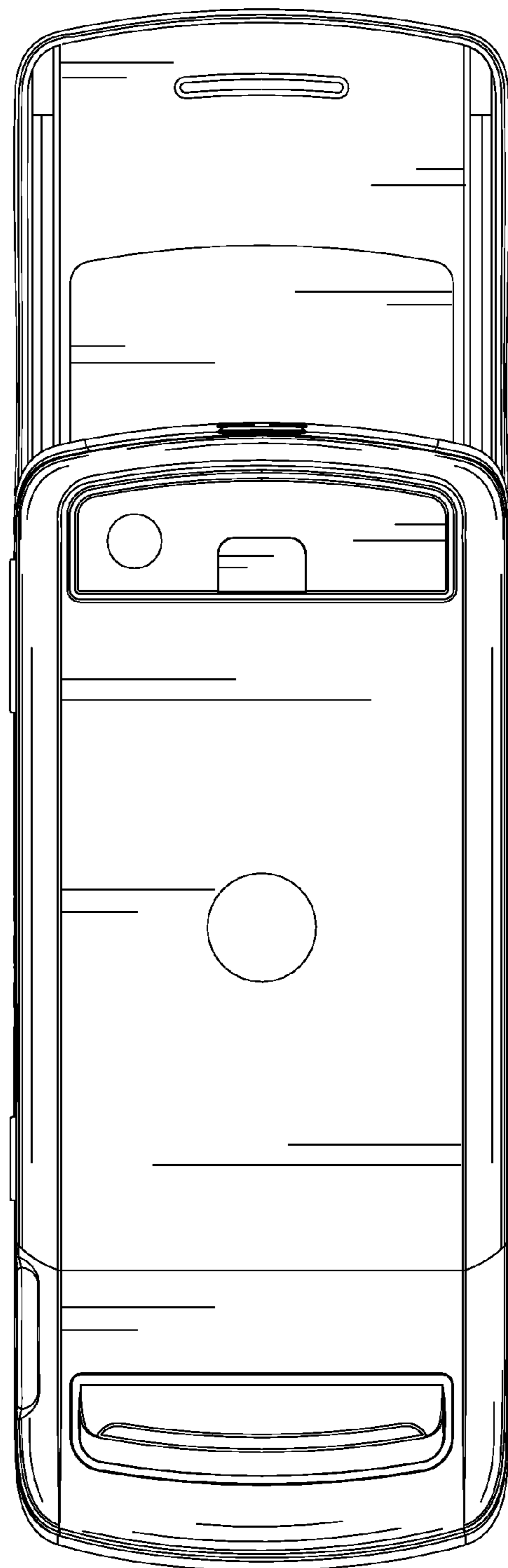


FIG. 10

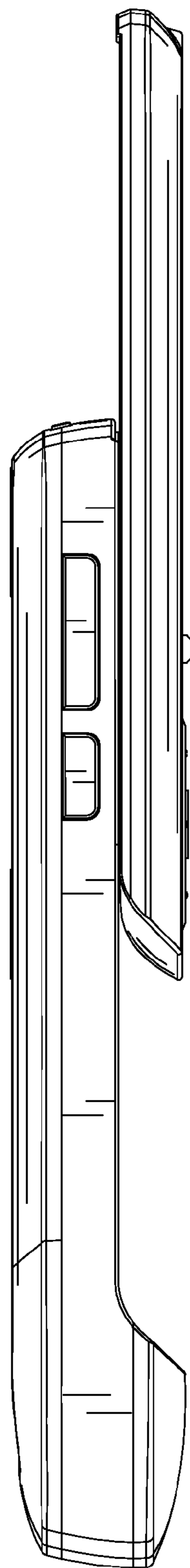


FIG. 11

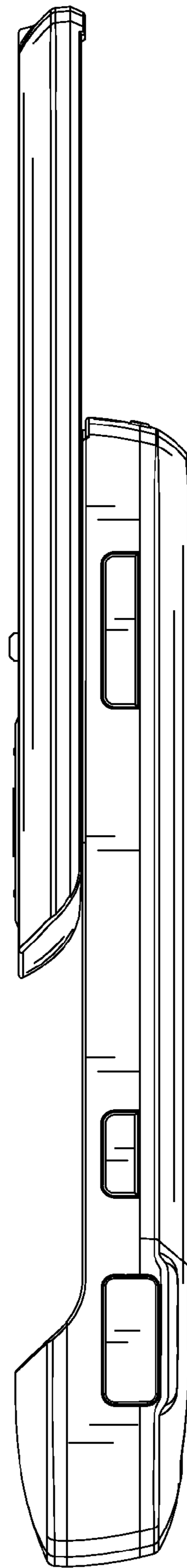


FIG. 12

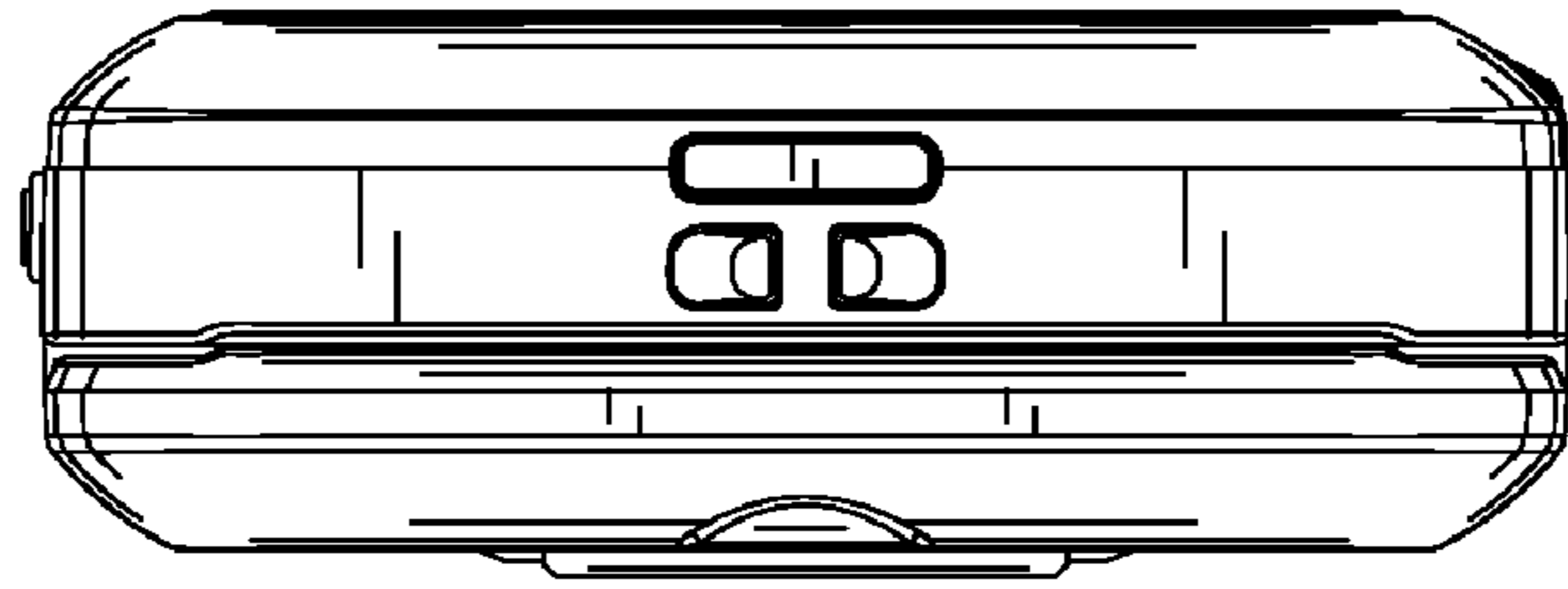


FIG. 13

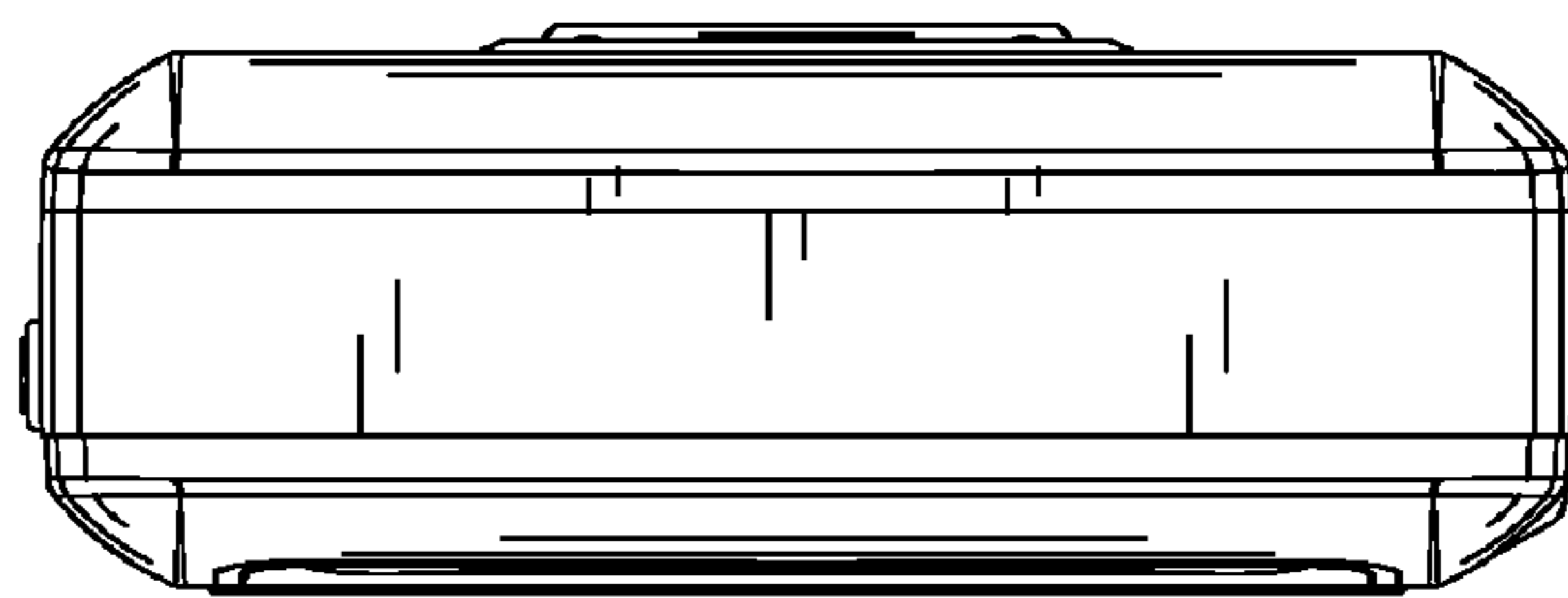


FIG. 14