

US00D561146S

(12) **United States Design Patent**  
**Finney et al.**

(10) **Patent No.:** **US D561,146 S**  
(45) **Date of Patent:** **\*\* Feb. 5, 2008**

(54) **HOUSING FOR A COMMUNICATION DEVICE**

(75) Inventors: **Mark D. Finney**, Chicago, IL (US);  
**Sung-Gul Hwang**, Seoul (KR); **Cheol Woo Park**, Chicago, IL (US); **Tim Sutherland**, Gurnee, IL (US)

(73) Assignee: **Motorola, Inc.**, Schaumburg, IL (US)

(\*\*) Term: **14 Years**

(21) Appl. No.: **29/247,640**

(22) Filed: **Jun. 30, 2006**

(51) **LOC (8) Cl.** ..... **14-03**

(52) **U.S. Cl.** ..... **D14/138; D14/138**

(58) **Field of Classification Search** ..... D14/137,  
D14/138, 147, 218, 247-248, 341-347, 496;  
455/90.3, 556.1, 556.2, 575.1, 575.3, 575.4;  
379/433.01-433.13; 361/814; 348/14.02

See application file for complete search history.

(56) **References Cited**

**U.S. PATENT DOCUMENTS**

D434,034 S	*	11/2000	Burke et al.	.....	D14/341
D454,550 S	*	3/2002	Hayasaka et al.	.....	D14/138
D464,032 S	*	10/2002	Hayasaka et al.	.....	D14/138
D464,632 S	*	10/2002	Nagai et al.	.....	D14/138

(Continued)

**OTHER PUBLICATIONS**

Motorola RIZR, announced Jul. 2006, [online], [retrieved on Feb. 16, 2007]. Retrieved from Internet ,<URL: <http://www.gsmarena.com>>.\*

*Primary Examiner*—Jeffrey Asch

*Assistant Examiner*—Bridget L Eland

(74) *Attorney, Agent, or Firm*—David S. Noskowitz

(57) **CLAIM**

The ornamental design for a housing for a communication device, as shown and described.

**DESCRIPTION**

FIG. 1 is a perspective view of a first embodiment of an ornamental communication device or similar articles.

FIG. 2 is a front view of the first embodiment thereof.

FIG. 3 is a rear view of the first embodiment thereof.

FIG. 4 is a first side view of the first embodiment thereof.

FIG. 5 is a second side view of the first embodiment thereof.

FIG. 6 is a top view of the first embodiment thereof.

FIG. 7 is a bottom view of the first embodiment thereof.

FIG. 8 is a perspective view of a second embodiment of an ornamental communication device or similar articles.

FIG. 9 is a front view of the second embodiment thereof.

FIG. 10 is a rear view of the second embodiment thereof.

FIG. 11 is a first side view of the second embodiment thereof.

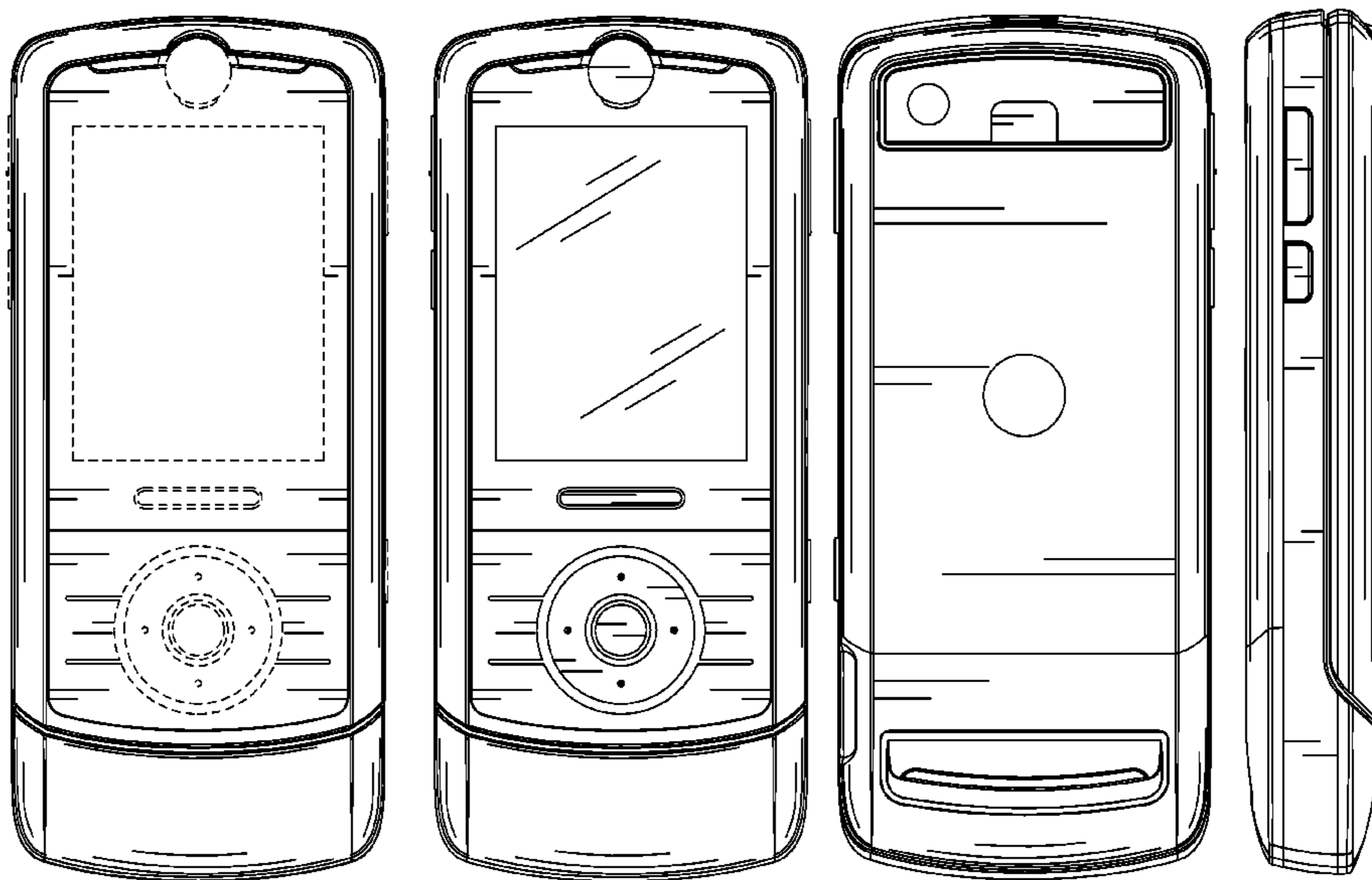
FIG. 12 is a second side view of the second embodiment thereof.

FIG. 13 is a top view of the second embodiment thereof; and,

FIG. 14 is a bottom view of the second embodiment thereof.

The broken lines shown in FIGS. 1-7, that are immediately adjacent the shaded areas and encompass non-shaded regions, represent the bounds of the claimed design in the embodiment in which they are shown, while all other broken lines are directed to environment and are for illustrative purposes only; the broken lines form no part of the claimed design in the embodiment in which they are shown.

**1 Claim, 8 Drawing Sheets**



# US D561,146 S

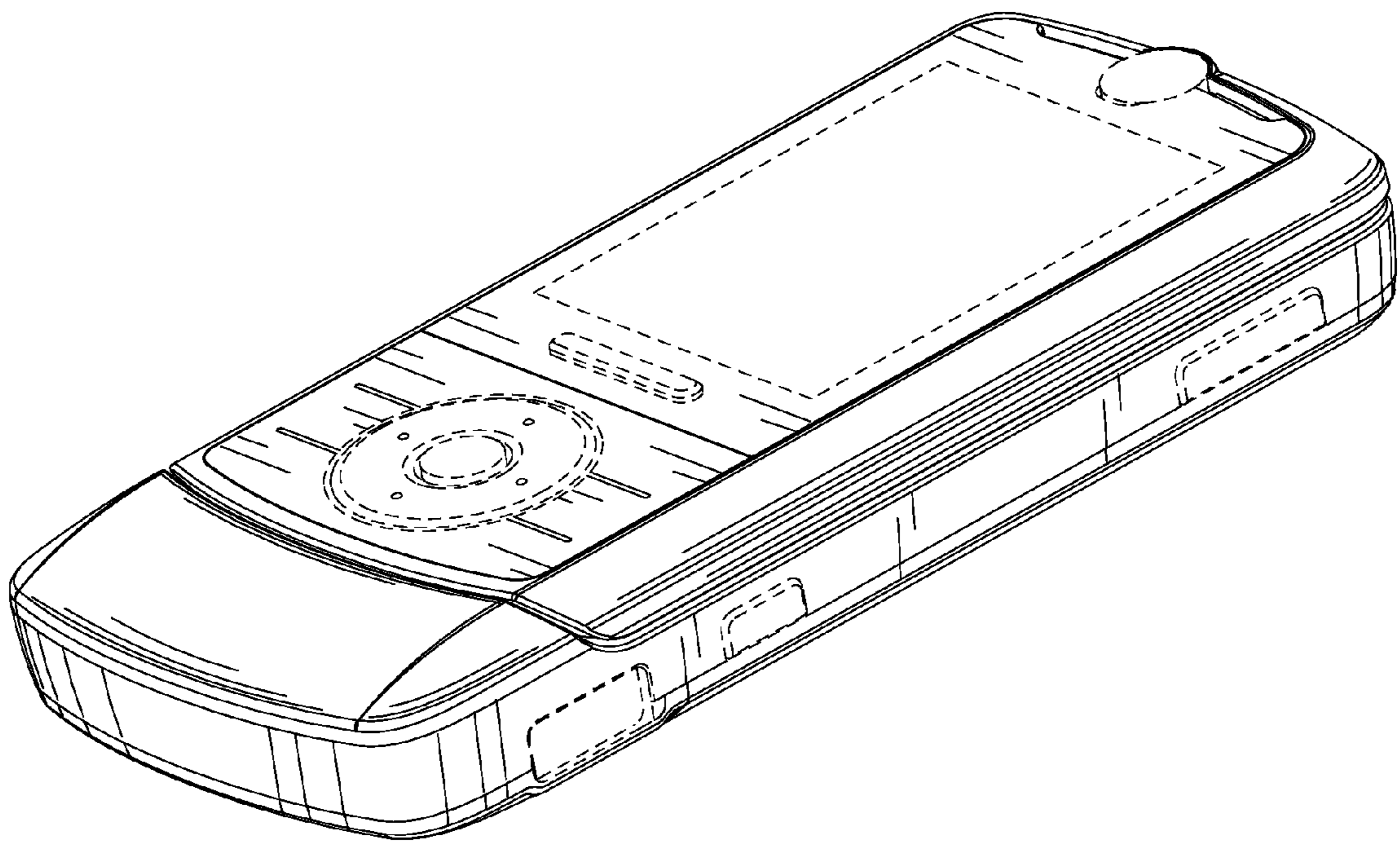
Page 2

---

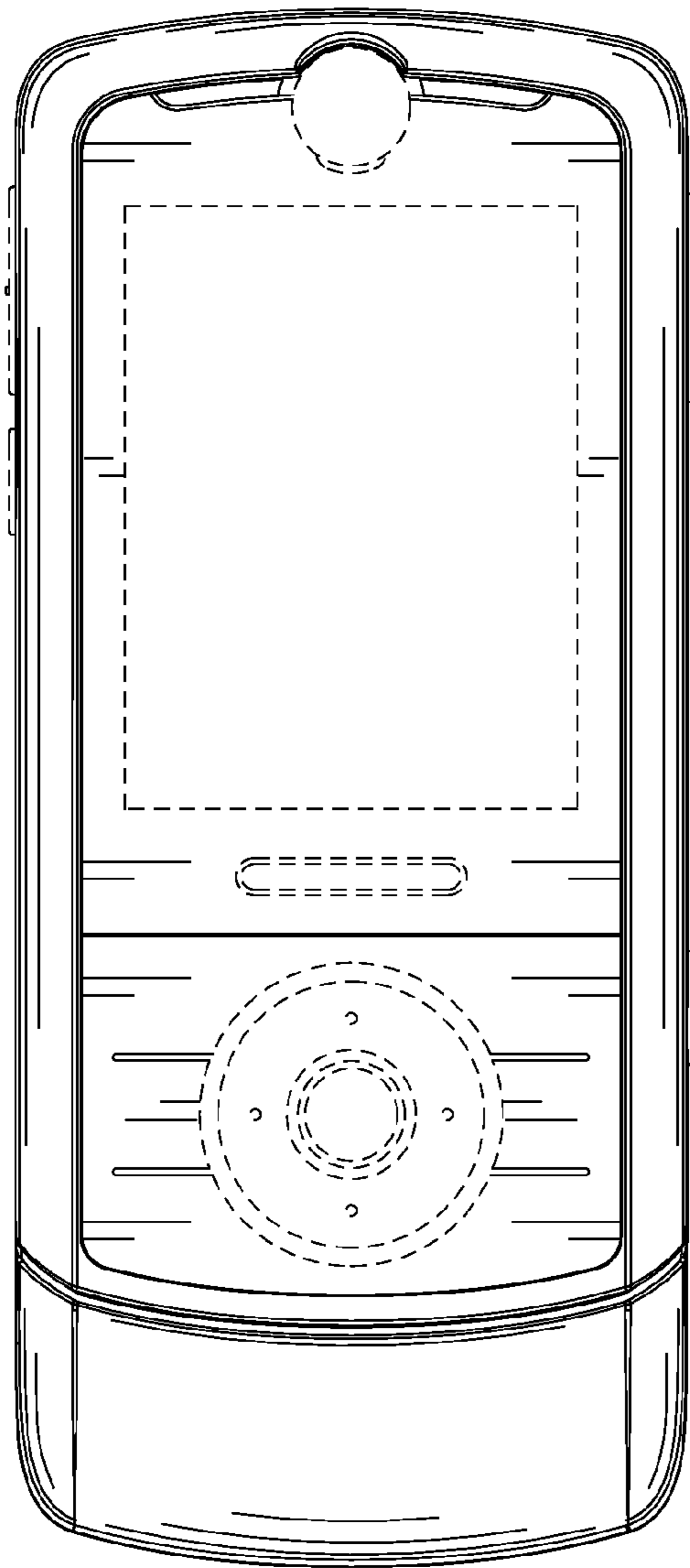
## U.S. PATENT DOCUMENTS

D466,096 S *	11/2002	Takada .....	D14/138	D529,472 S *	10/2006	Kim et al. ....	D14/138
6,704,417 B2 *	3/2004	Kim .....	379/433.07	D529,891 S *	10/2006	Hyun et al. ....	D14/138
D494,151 S *	8/2004	Walliser et al. ....	D14/138	D534,890 S *	1/2007	Kim .....	D14/138
D496,644 S *	9/2004	Yoo et al. ....	D14/138	D534,892 S *	1/2007	Lee et al. ....	D14/138
D500,750 S *	1/2005	Arnholt et al. ....	D14/138	D535,275 S *	1/2007	Kim et al. ....	D14/138
D511,342 S *	11/2005	Chien .....	D14/346	D539,772 S *	4/2007	Park et al. ....	D14/138
D513,742 S *	1/2006	Arnholt et al. ....	D14/138	D544,459 S *	6/2007	Wang .....	D14/138
D520,484 S *	5/2006	Lee et al. ....	D14/138	D548,213 S *	8/2007	Lee et al. ....	D14/138
D526,300 S *	8/2006	Lee .....	D14/138	2005/0266900 A1 *	12/2005	Zou .....	455/575.3
D528,095 S *	9/2006	Kwon et al. ....	D14/138	2005/0282594 A1 *	12/2005	Oldham .....	455/575.3
D529,471 S *	10/2006	Park .....	D14/138	2006/0025184 A1 *	2/2006	Cho et al. ....	455/575.4

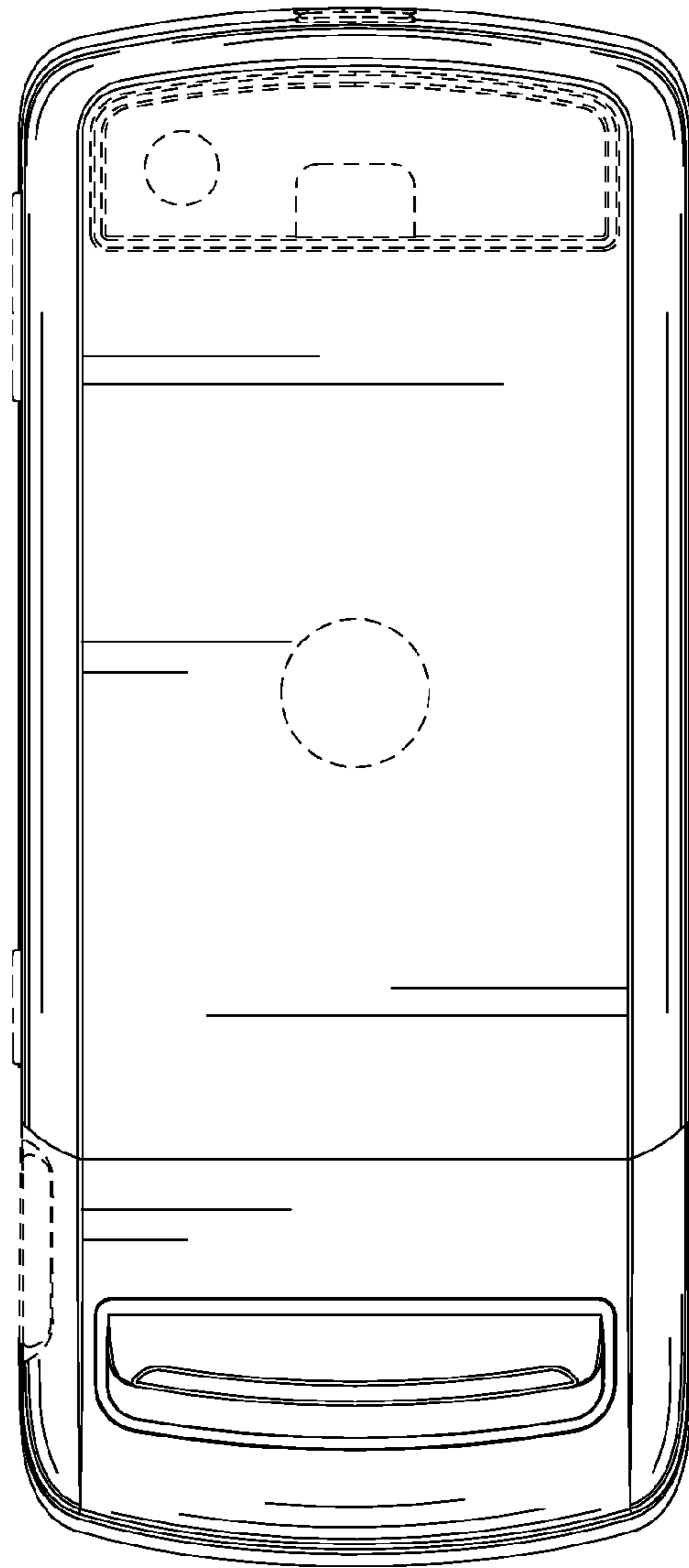
\* cited by examiner



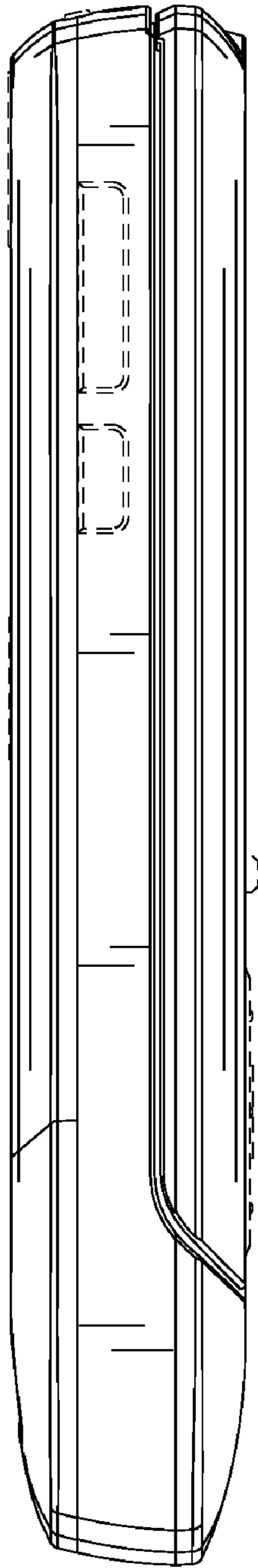
*FIG. 1*



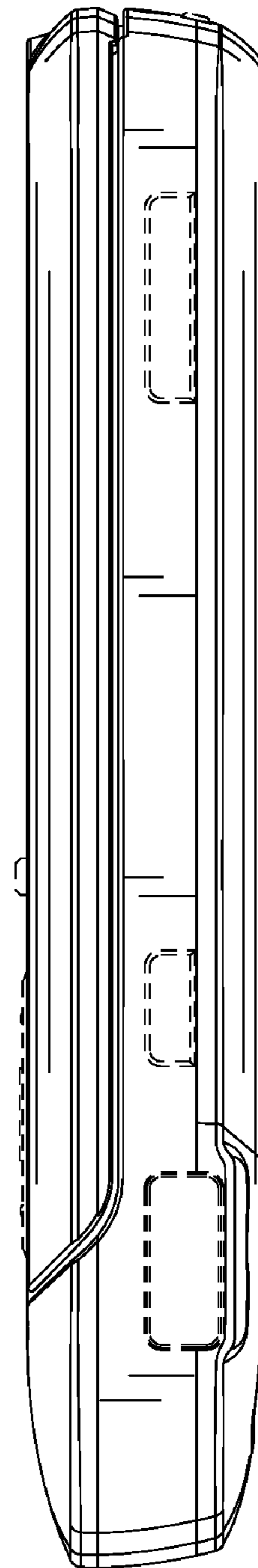
*FIG. 2*



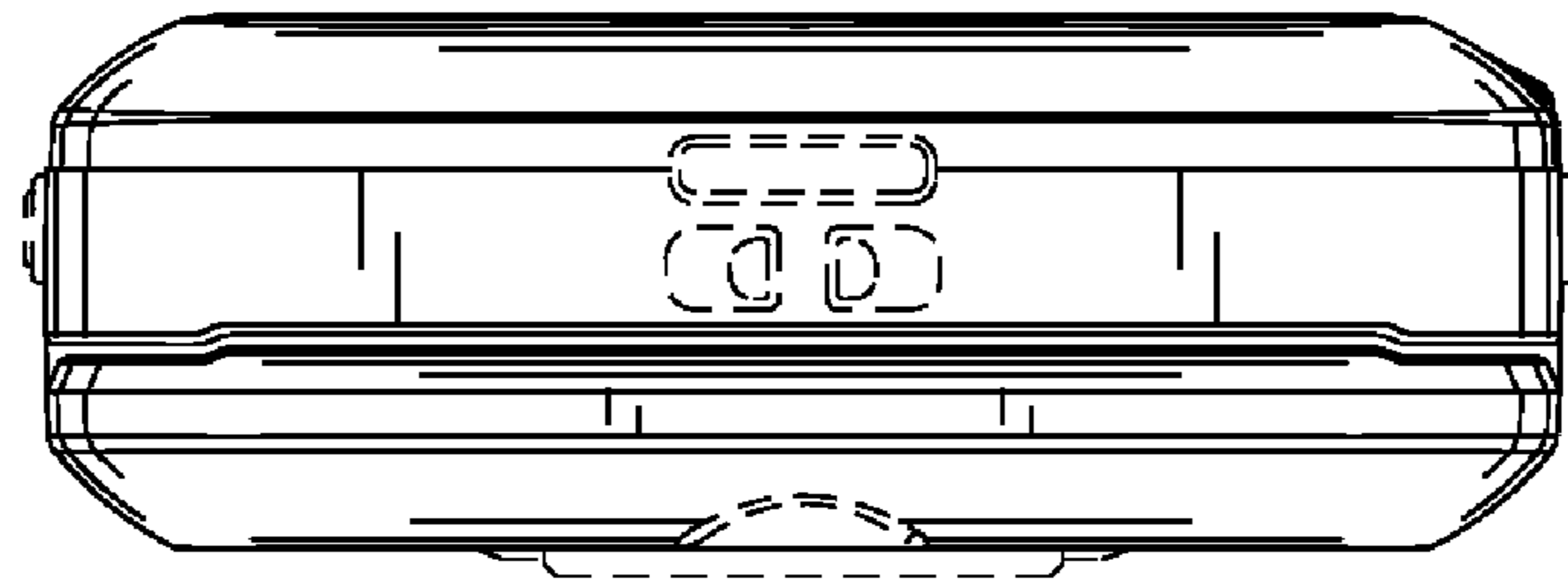
*FIG. 3*



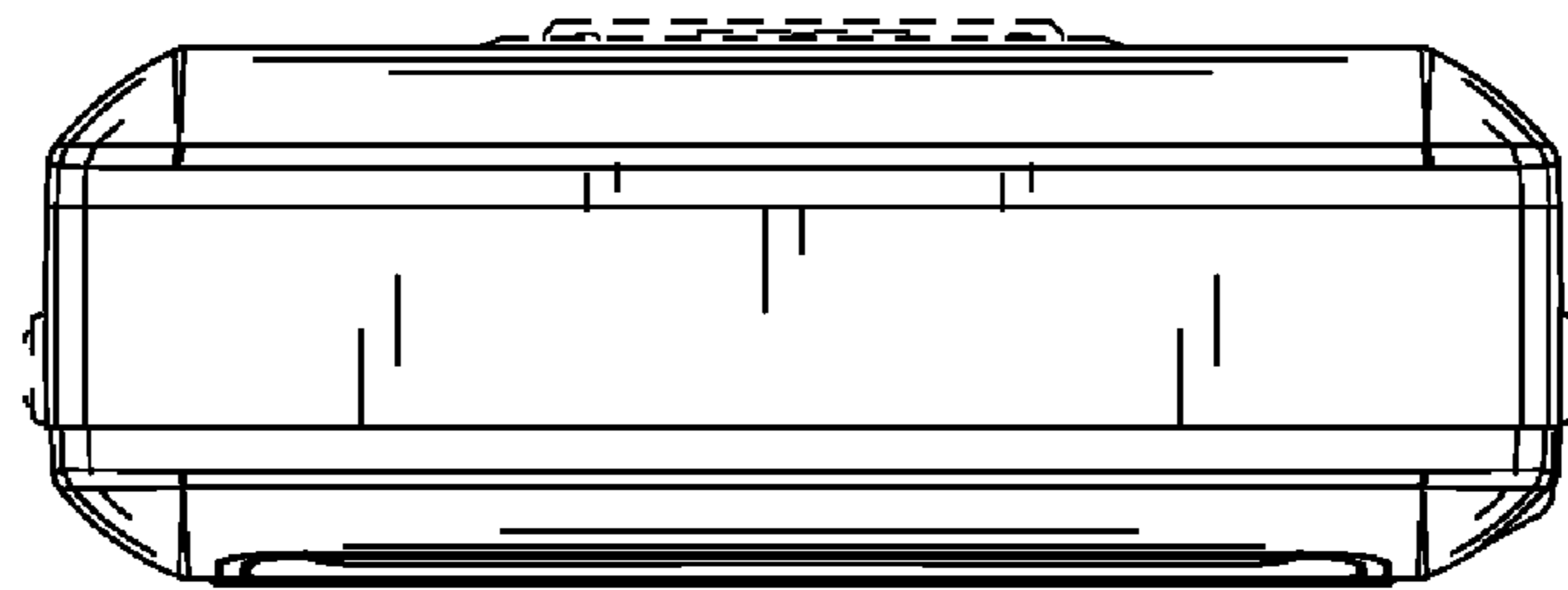
*FIG. 4*



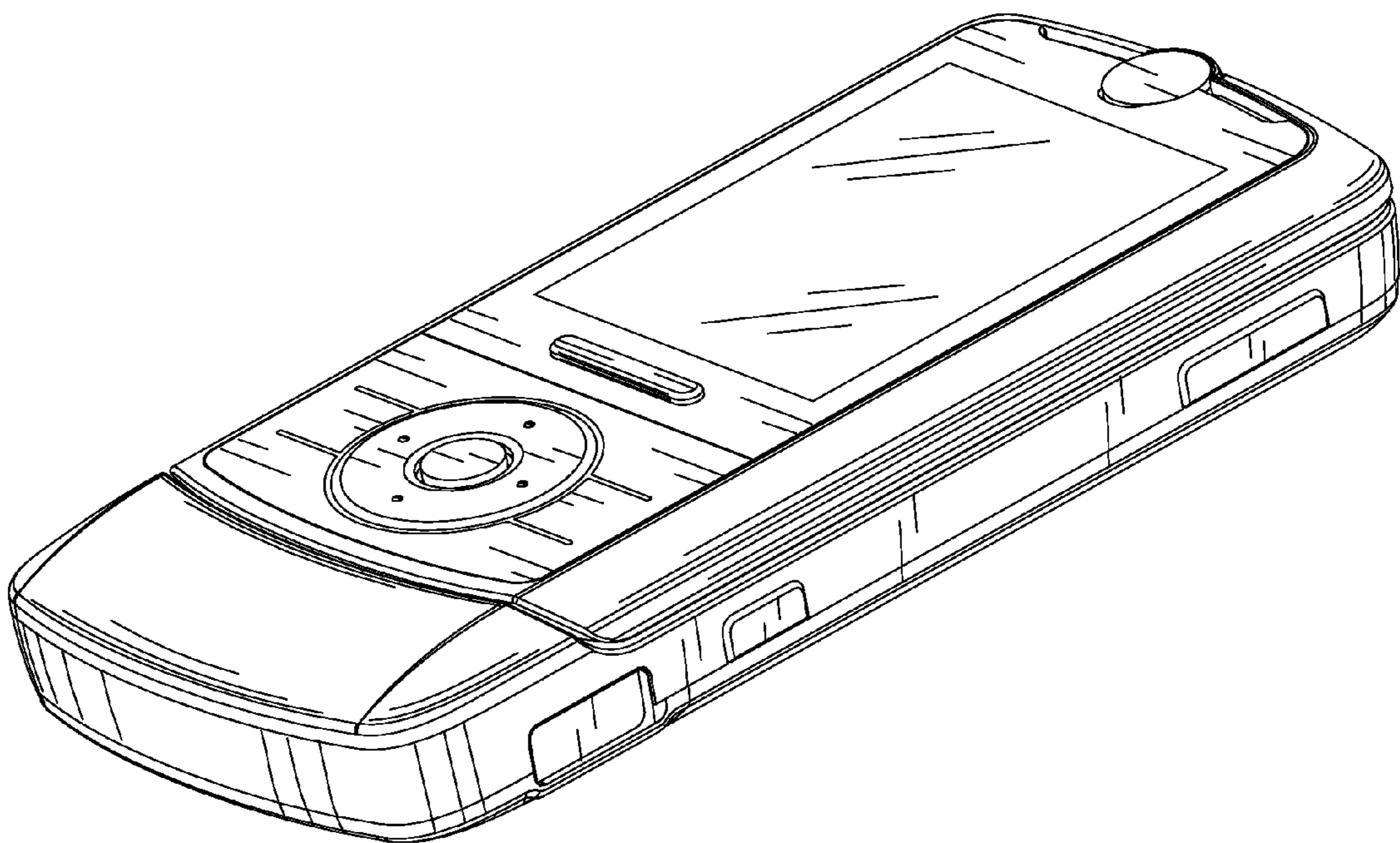
*FIG. 5*



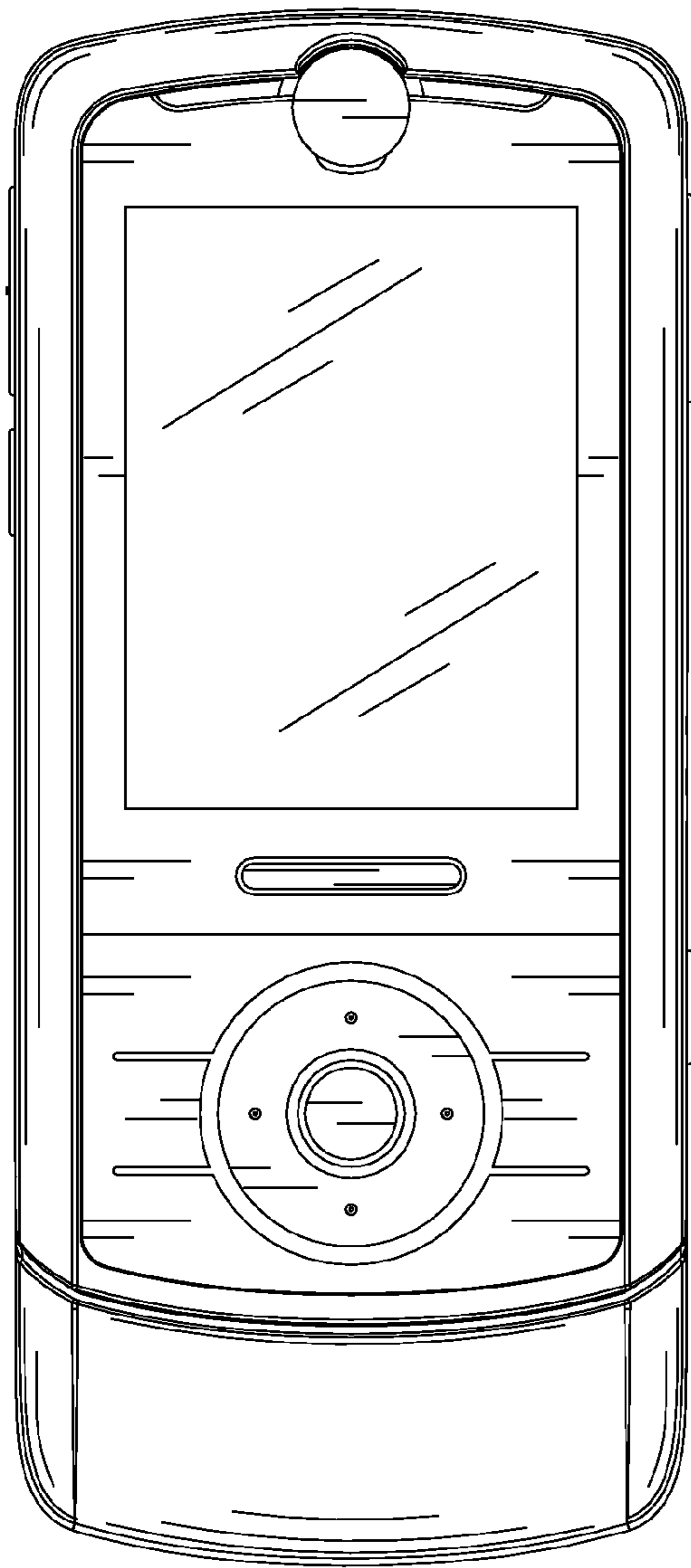
*FIG. 6*



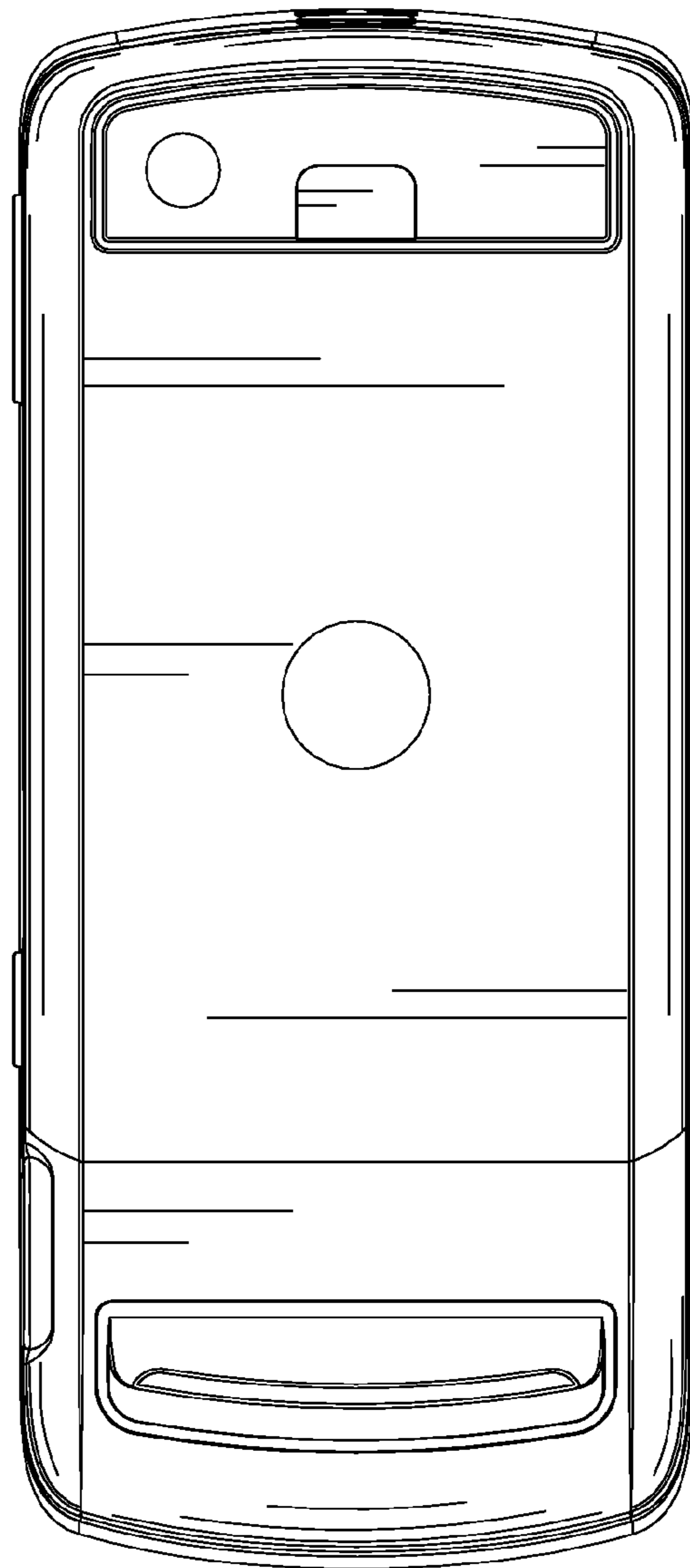
*FIG. 7*



*FIG. 8*

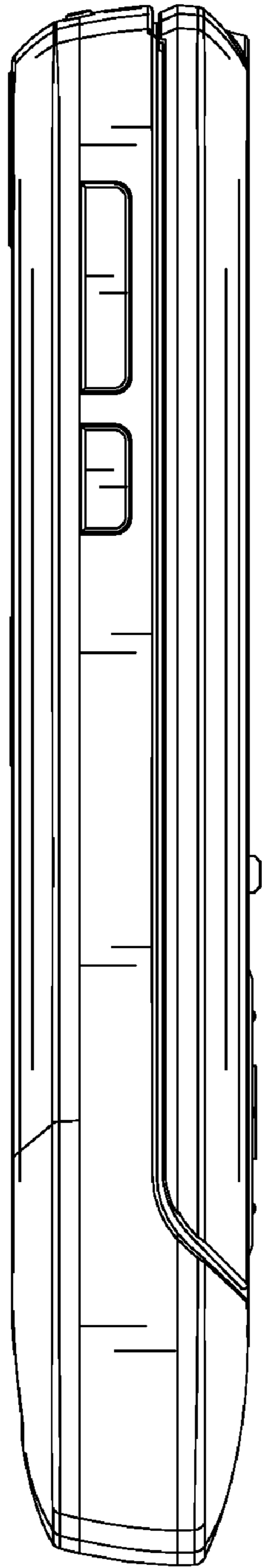


*FIG. 9*

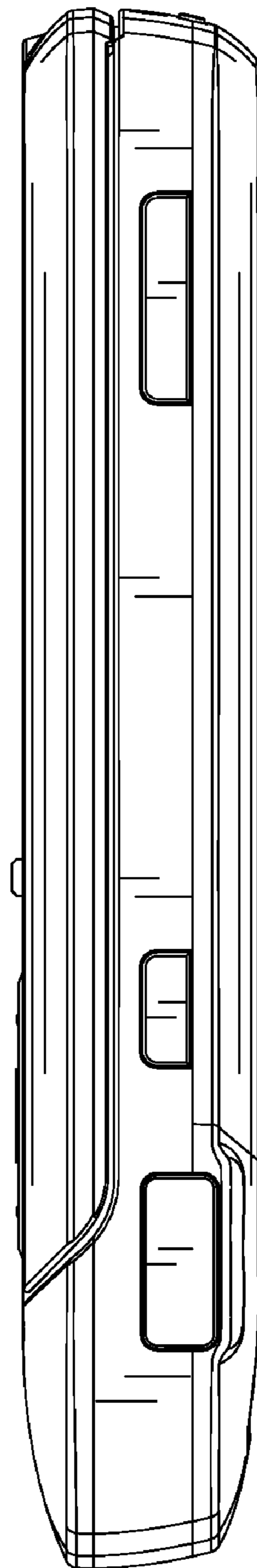


*FIG. 10*

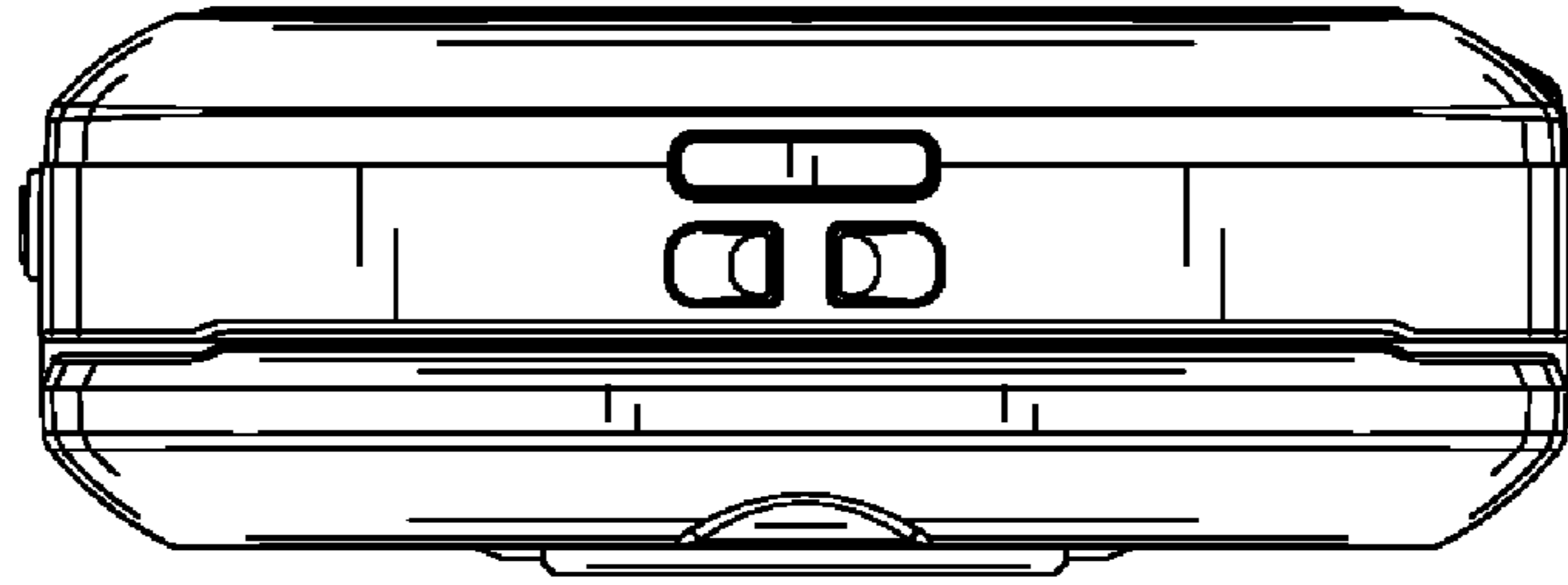




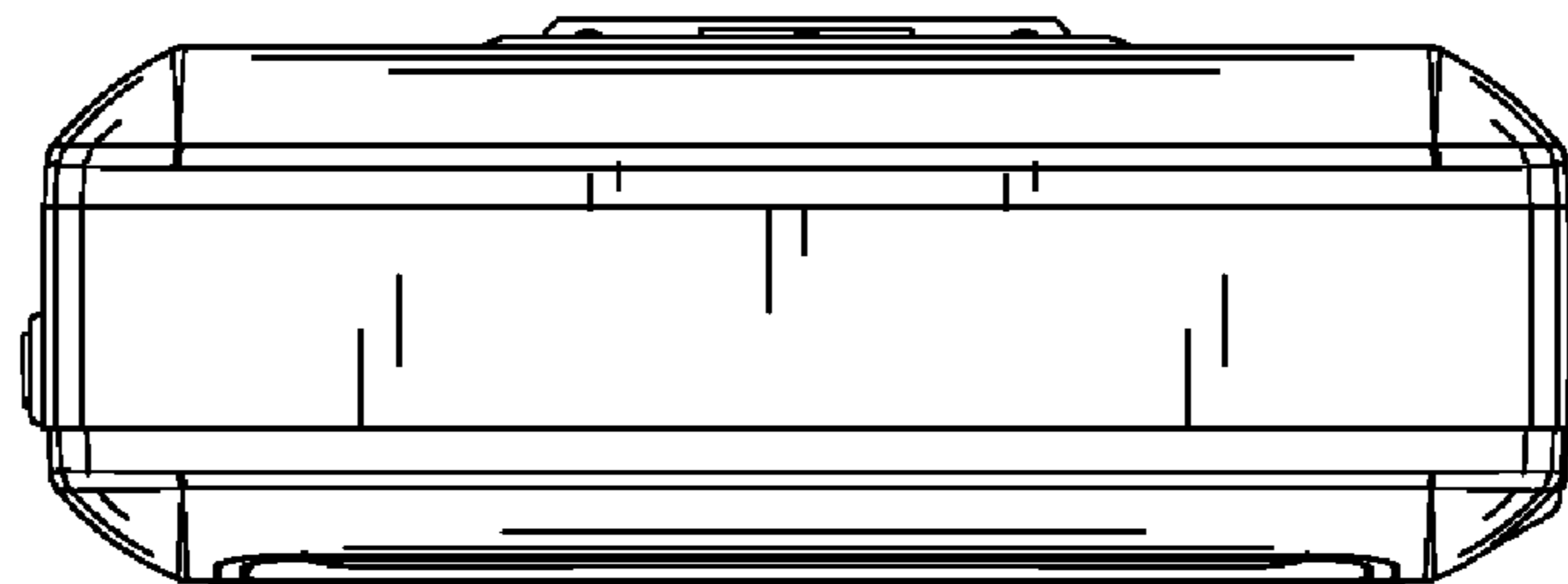
*FIG. 11*



*FIG. 12*



*FIG. 13*



*FIG. 14*