

US00D561144S

(12) **United States Design Patent**  
**Wenming**

(10) **Patent No.:** **US D561,144 S**  
(45) **Date of Patent:** **\*\* Feb. 5, 2008**

(54) **HANDSET**

WO DM/066629 \* 5/2005

(75) Inventor: **Wu Wenming**, Taipei (TW)

**OTHER PUBLICATIONS**

(73) Assignee: **Nokia Corporation**, Espoo (FI)

NEC N900iG telephone, announced 4th quarter 2004, [online], [retrieved on Mar. 4, 2007]. Retrieved from Internet, <URL: http://www.gsmarena.com>.\*

(\*\*) Term: **14 Years**

Bird V09 telephone, announced 2nd quarter 2004, [online], [retrieved on Mar. 2, 2007]. Retrieved from Internet, <URL: http://www.gsmarena.com>.\*

(21) Appl. No.: **29/229,606**

Sagem VS3 telephone, announced 4th quarter 2005, [online], [retrieved on Mar. 2, 2007]. Retrieved from Internet, <URL: http://www.gsmarena.com>.\*

(22) Filed: **May 10, 2005**

NEC c616v telephone, announced 4th quarter 2003, [online], [retrieved on Mar. 2, 2007]. Retrieved from Internet, <URL: http://www.gsmarena.com>.\*

(30) **Foreign Application Priority Data**

Nov. 11, 2004 (FI) ..... M20040178

*Primary Examiner*—Jeffrey Asch

(51) **LOC (8) Cl.** ..... **14-03**

(74) *Attorney, Agent, or Firm*—Banner & Witcoff, Ltd.

(52) **U.S. Cl.** ..... **D14/138**

(58) **Field of Classification Search** ..... D14/191,  
D14/138, 147–148, 247–248, 144, 496, 156,  
D14/341–347; 379/433.01–433.13; 455/575.3,  
455/566, 575.1, 556.1, 556.2, 90.3; D21/517;  
D16/208

(57) **CLAIM**

See application file for complete search history.

The ornamental design for a handset, as shown and described.

(56) **References Cited**

**DESCRIPTION**

**U.S. PATENT DOCUMENTS**

FIG. 1 is a bottom plan view of a handset showing my new design;

D458,594 S *	6/2002	Jang	.....	D14/138
D475,688 S *	6/2003	Pierce et al.	.....	D14/138
D485,249 S *	1/2004	Liao et al.	.....	D14/138
D486,809 S *	2/2004	Hwang	.....	D14/138
D489,344 S *	5/2004	Lee et al.	.....	D14/138
D489,697 S *	5/2004	Lee et al.	.....	D14/138
D491,905 S *	6/2004	Jang	.....	D14/138
D492,656 S *	7/2004	Lee	.....	D14/138
D500,016 S *	12/2004	Kim	.....	D14/138
D500,481 S *	1/2005	Kim et al.	.....	D14/138

FIG. 2 is a right side view thereof;

FIG. 3 is a front view thereof;

FIG. 4 is a left side view thereof;

FIG. 5 is a top plan view thereof;

FIG. 6 is a rear view thereof;

FIG. 7 is a perspective front view thereof;

FIG. 8 is a perspective rear view thereof;

FIG. 9 is a front view of the handset of FIGS. 1–8 in an in-use position; and,

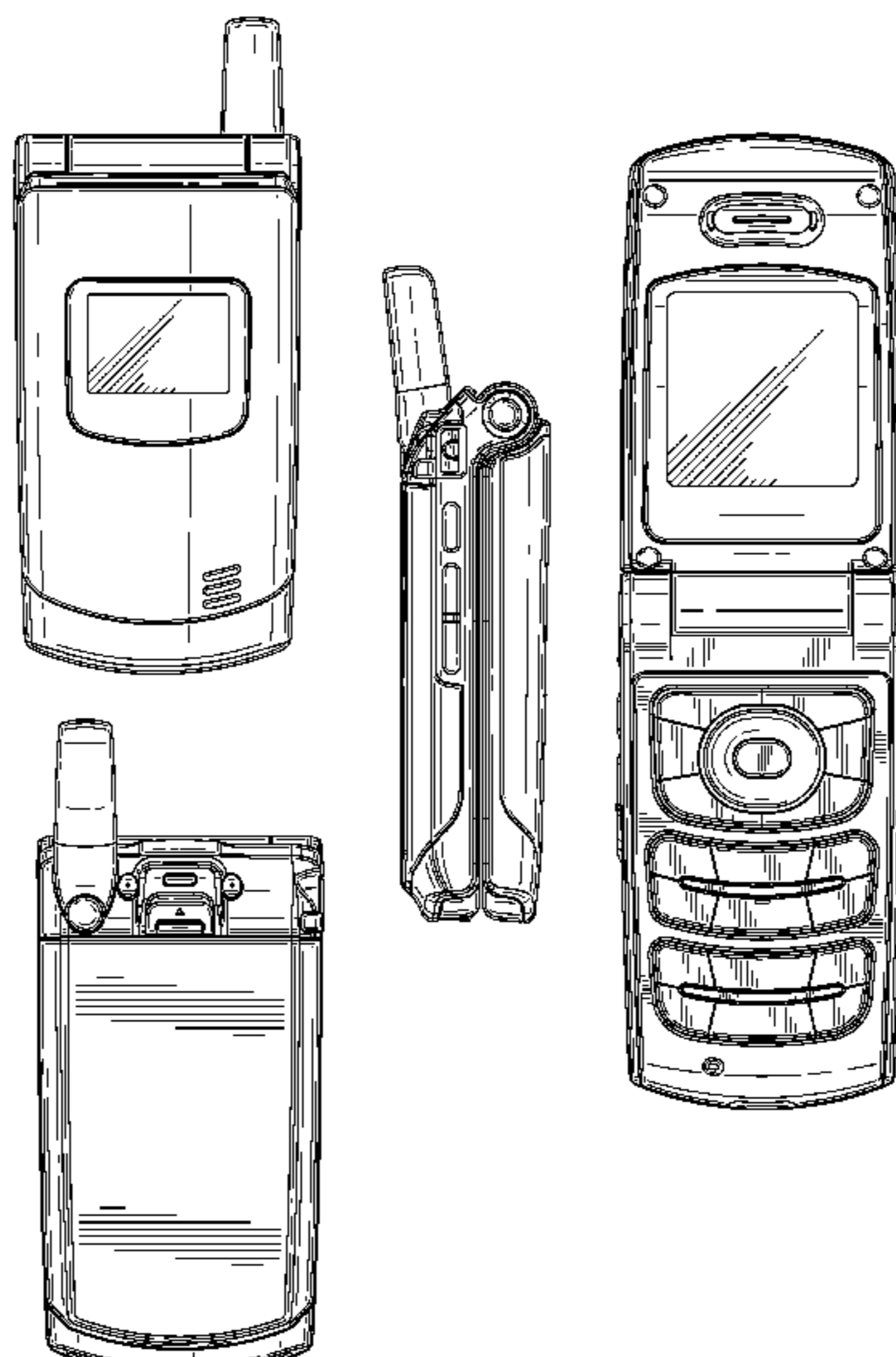
FIG. 10 is a perspective front view of the handset of FIGS. 1–8 in an in-use position.

(Continued)

**FOREIGN PATENT DOCUMENTS**

WO DM/066 146 1/2005

**1 Claim, 5 Drawing Sheets**





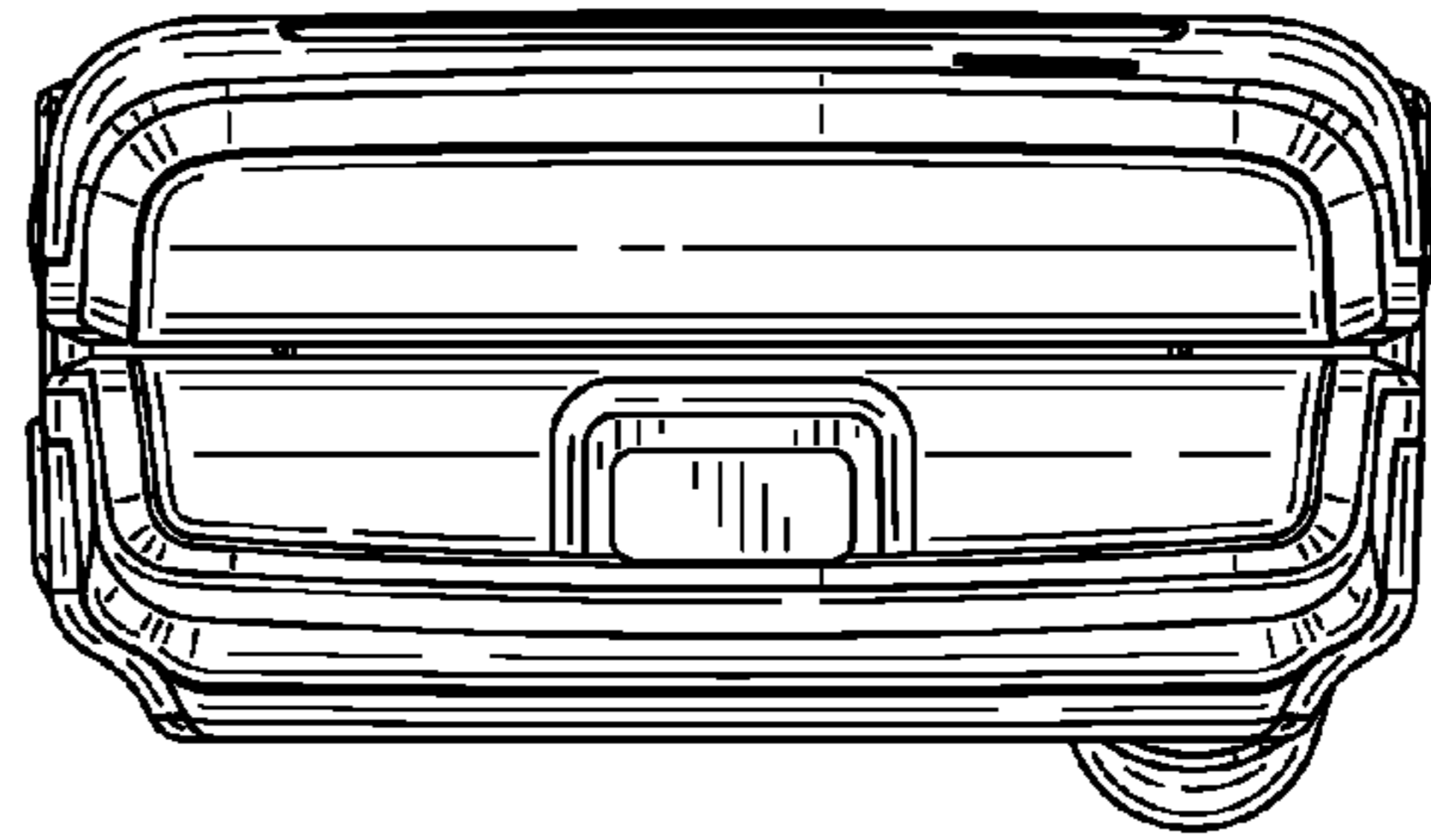


FIG. 1

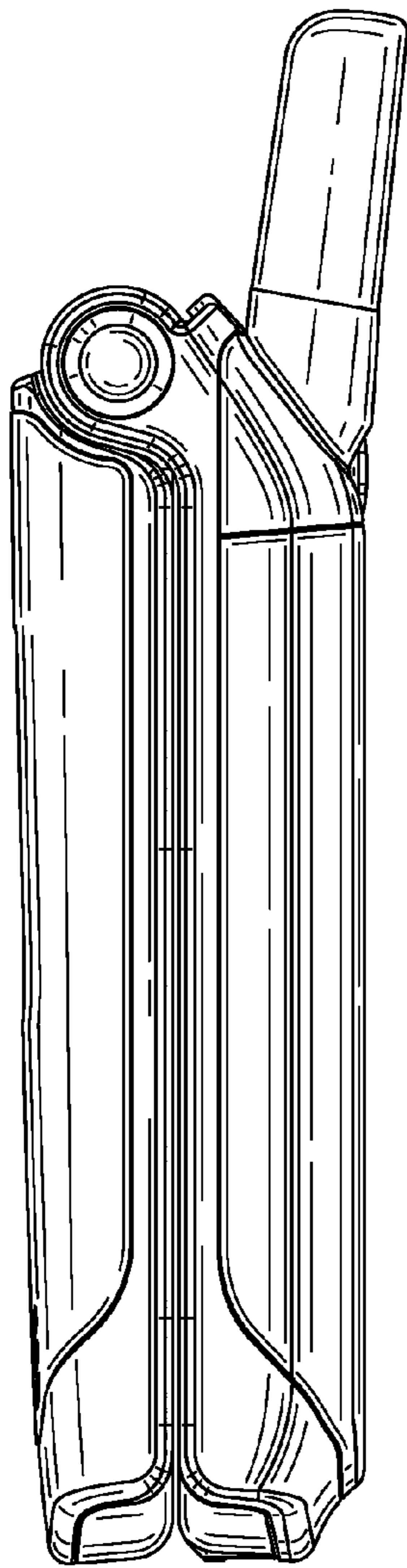


FIG. 2

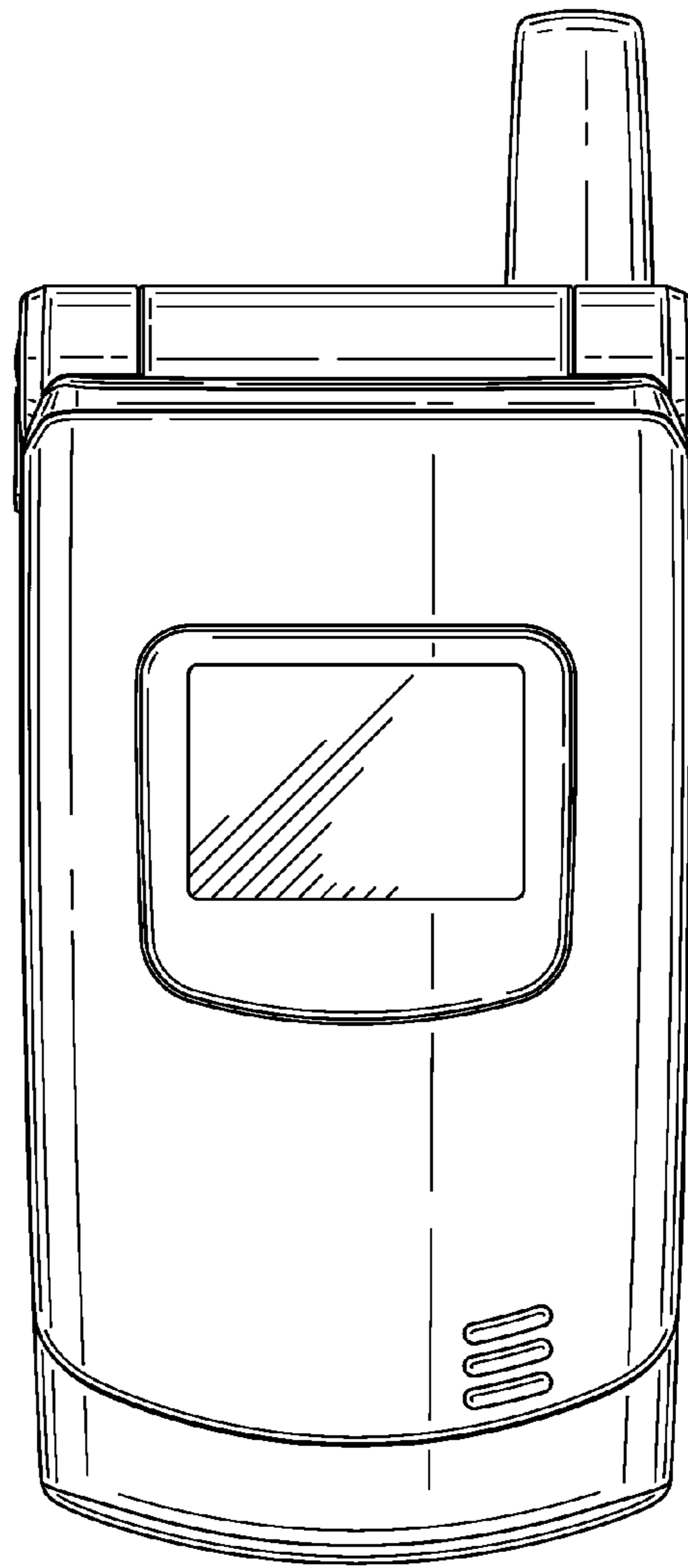


FIG. 3

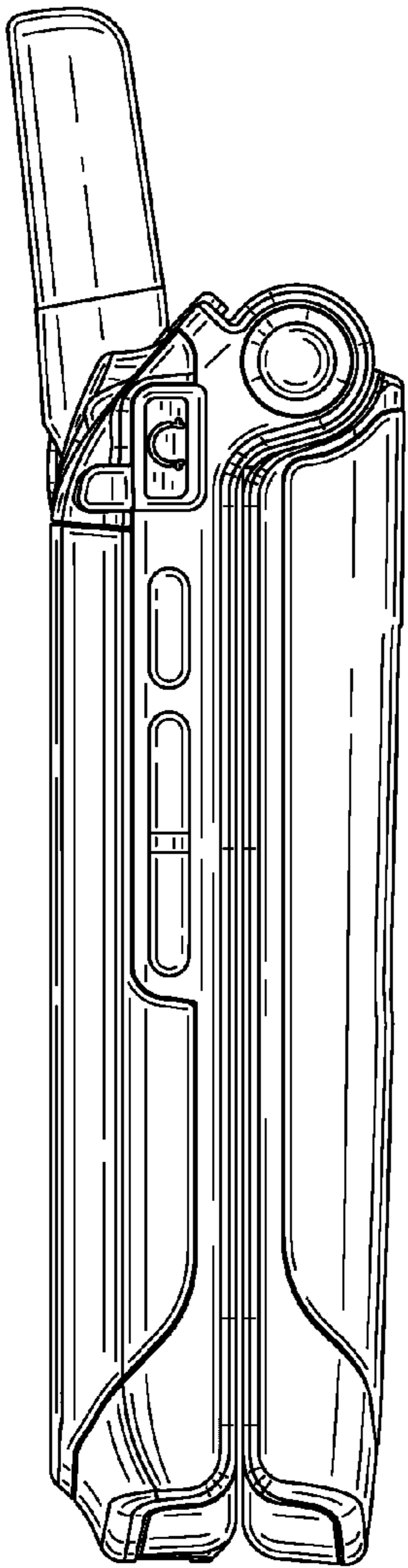


FIG. 4

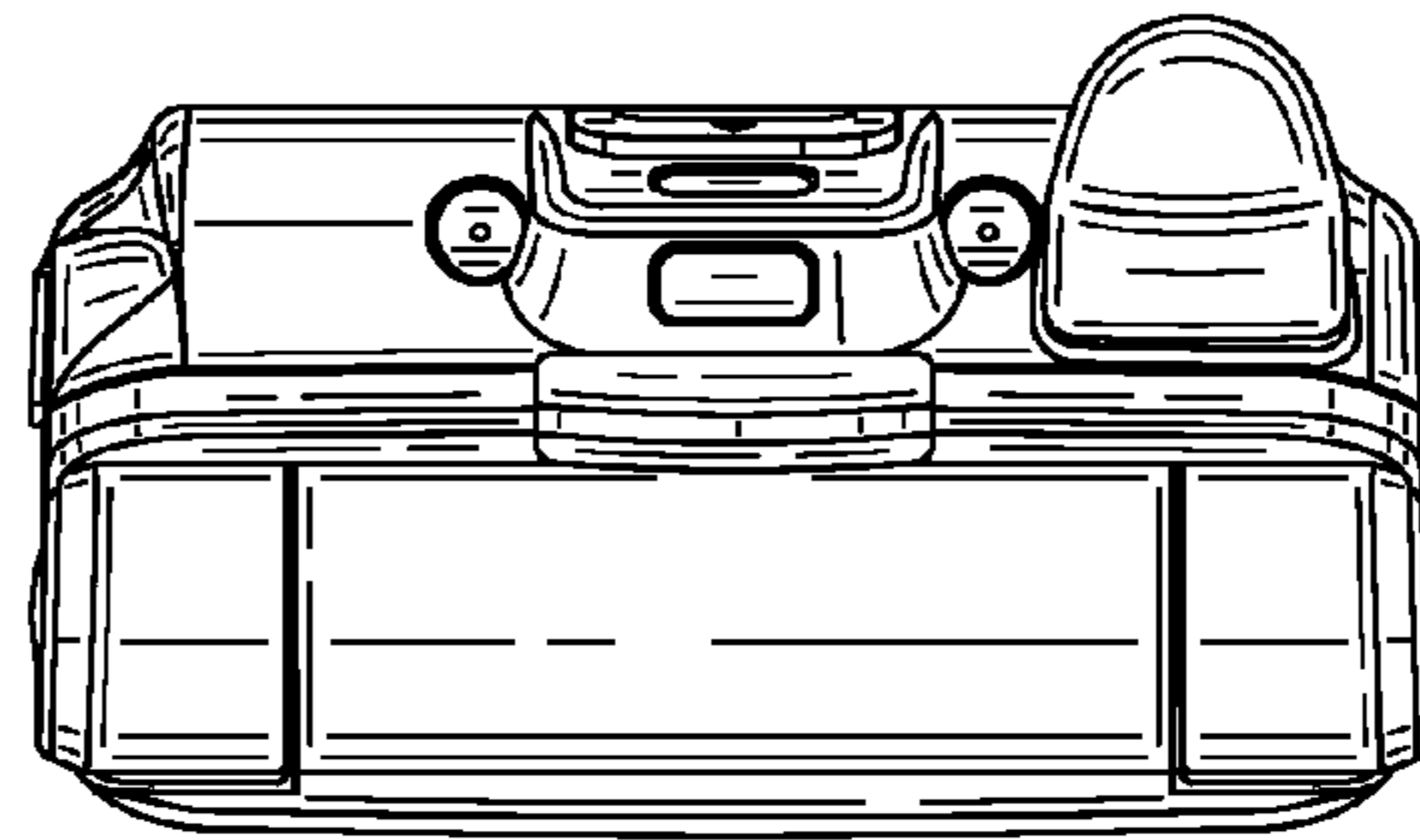


FIG. 5

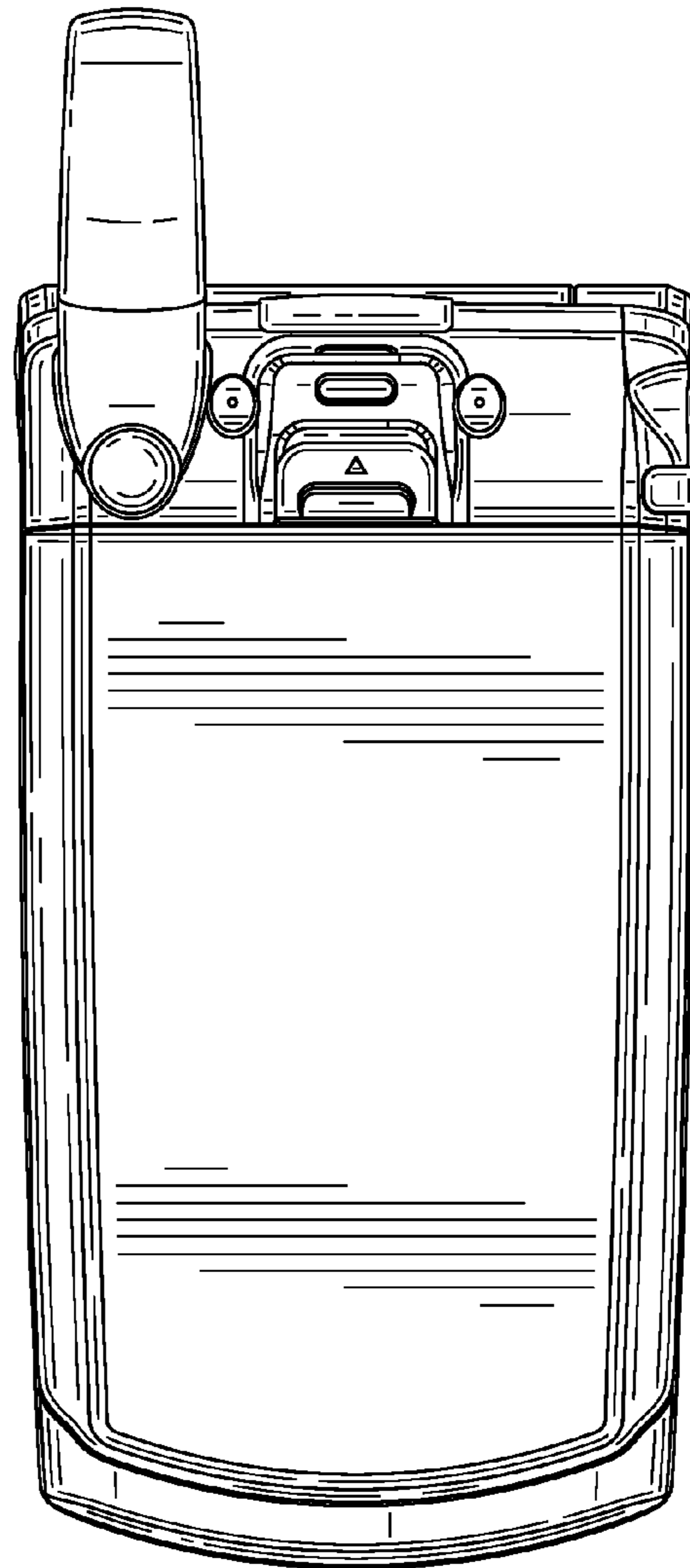


FIG. 6



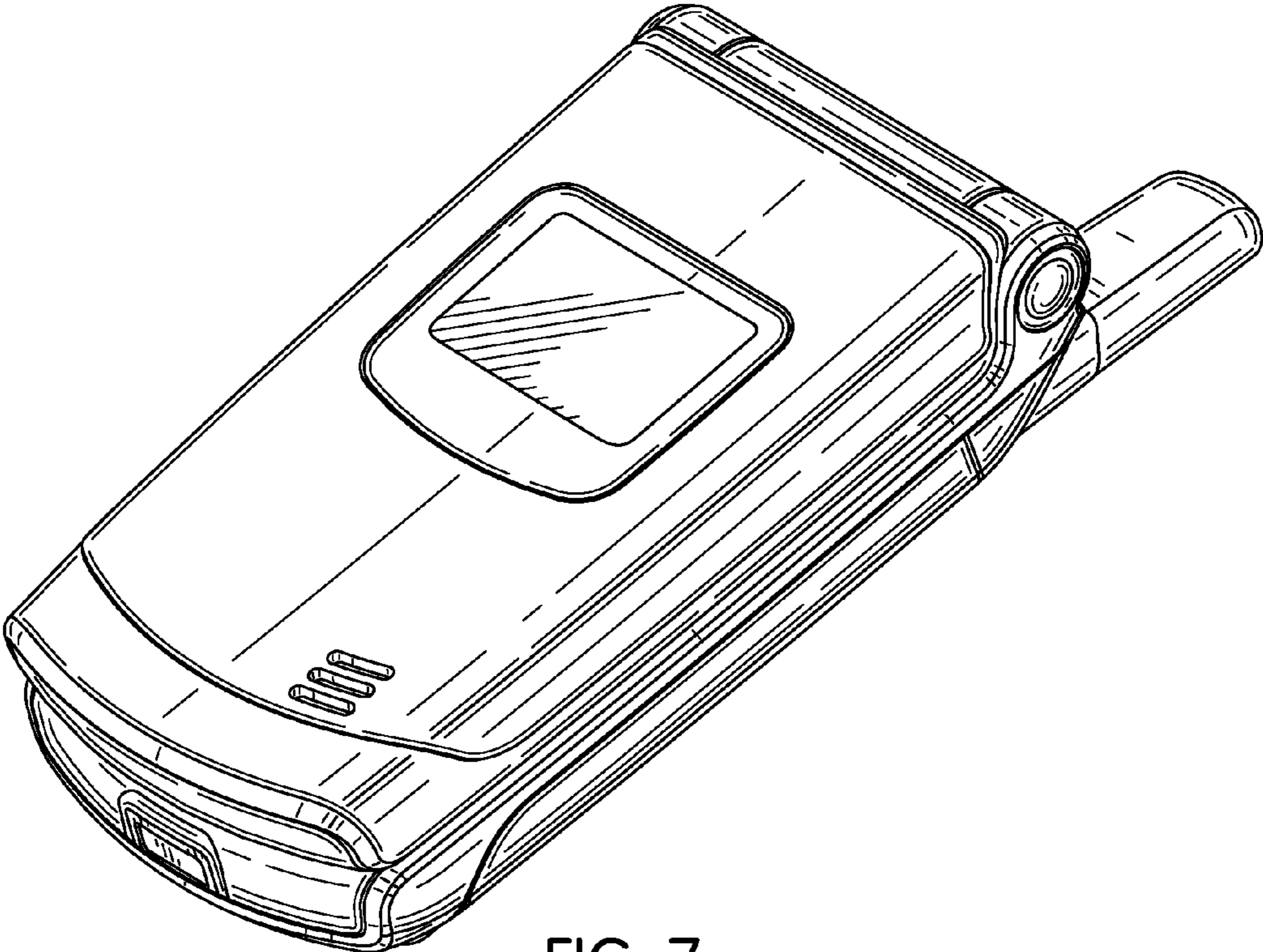


FIG. 7

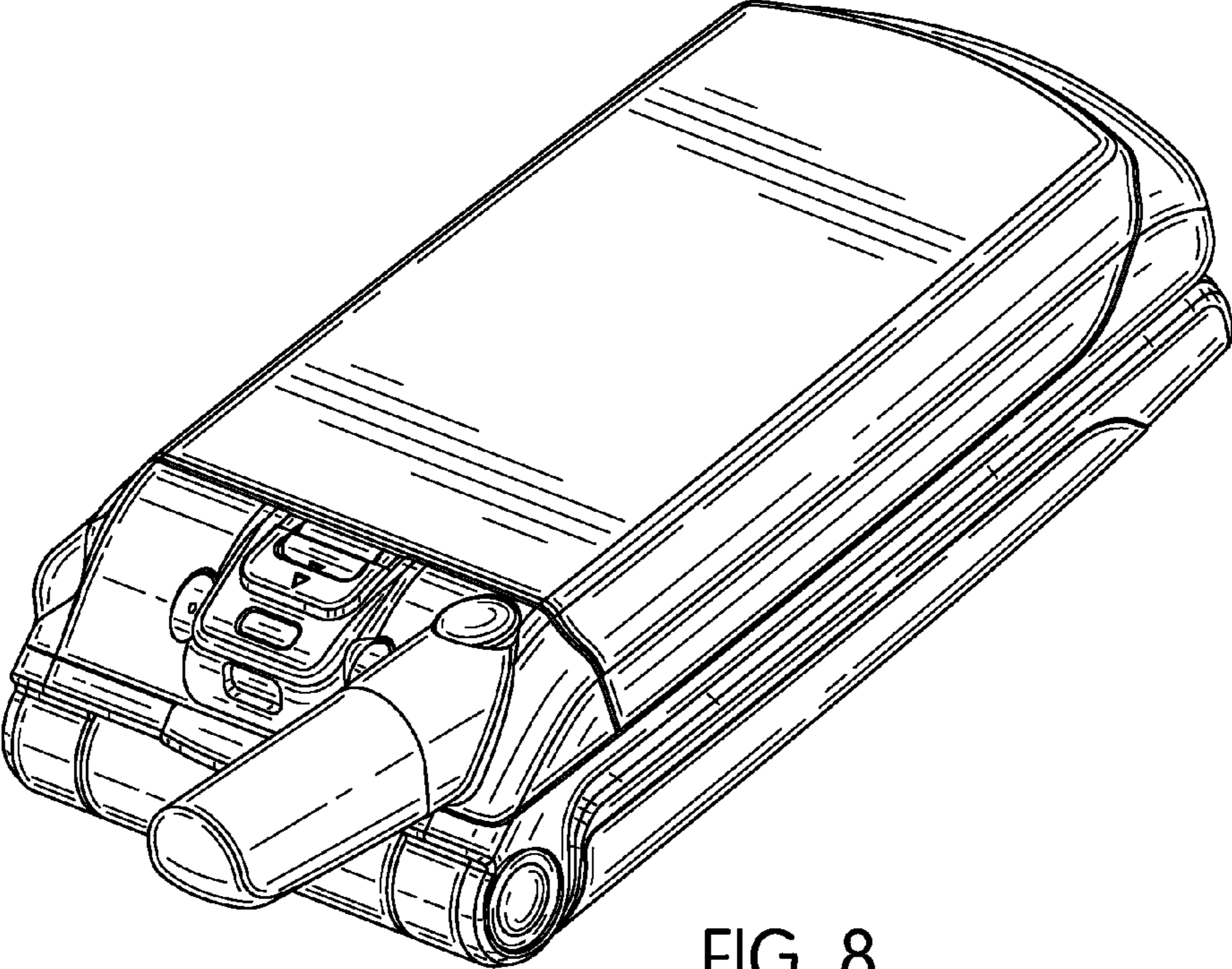


FIG. 8

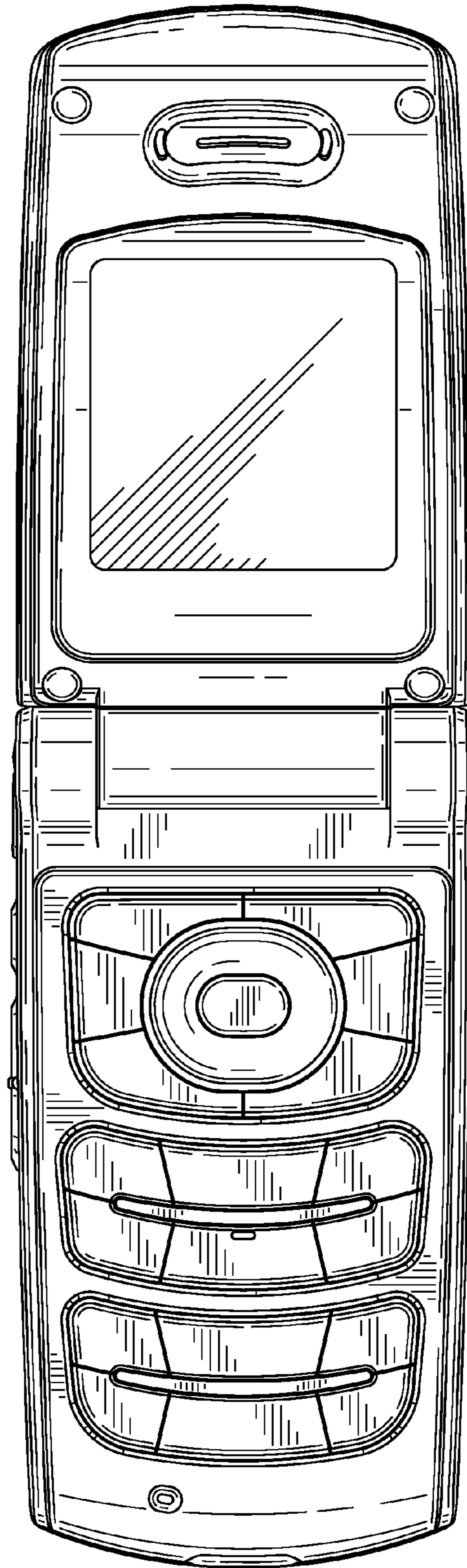


FIG. 9



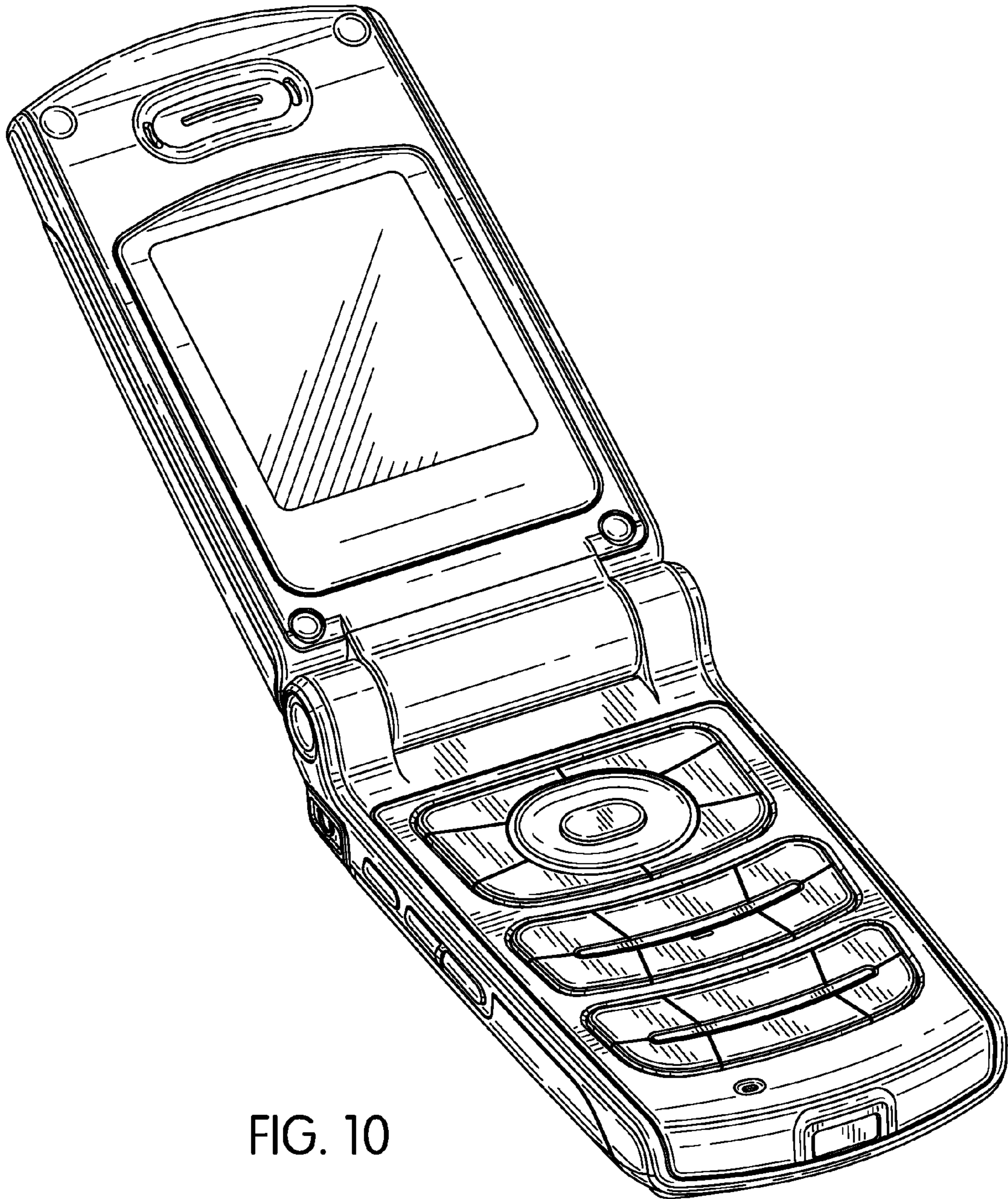


FIG. 10