



US00D561141S

(12) **United States Design Patent** (10) **Patent No.:** **US D561,141 S**
Cho et al. (45) **Date of Patent:** **** Feb. 5, 2008**

(54) **BLU-RAY DISK PLAYER**
(75) Inventors: **Ju-Won Cho**, Seoul (KR); **Chae-Joo Son**, Seoul (KR)
(73) Assignee: **Samsung Electronics Co., Ltd.**, Kyunggi-do (KR)
(**) Term: **14 Years**
(21) Appl. No.: **29/272,050**
(22) Filed: **Jan. 31, 2007**

D526,980 S 8/2006 Kwon et al.
D526,981 S 8/2006 Kim et al.
D528,525 S 9/2006 Cho et al.
D529,464 S 10/2006 Lim et al.
D529,885 S 10/2006 Park et al.
D530,692 S 10/2006 Lim et al.
D530,693 S 10/2006 Park et al.
D530,694 S 10/2006 Park
D530,695 S 10/2006 Park
D531,153 S 10/2006 Lim et al.
D533,159 S 12/2006 Kim et al.
D536,682 S 2/2007 Lim et al.
D536,683 S 2/2007 Lim et al.
D537,425 S 2/2007 Park
D538,768 S 3/2007 Lim et al.

(51) **LOC (8) Cl.** **14-01**
(52) **U.S. Cl.** **D14/136**
(58) **Field of Classification Search** D14/135-136, D14/156-157, 167-168, 198, 188, 217, 257, D14/258, 496; 360/99.02, 99.07; 369/75.11, 369/75.21, 77.21, 77.11; 720/612, 619, 647, 720/655; 455/344, 347-351
See application file for complete search history.

(56) **References Cited**
U.S. PATENT DOCUMENTS

4,758,910 A * 7/1988 Kaneko et al. 360/137
D480,373 S * 10/2003 Oda et al. D14/136
D519,960 S 5/2006 Kwon et al.
D519,962 S 5/2006 Kim et al.
D519,963 S 5/2006 Lim et al.
D520,478 S 5/2006 Kwon et al.
D520,479 S 5/2006 Kwon et al.
D520,480 S 5/2006 Kwon et al.
D520,481 S 5/2006 Lim et al.
D520,973 S 5/2006 Kwon et al.
D520,974 S 5/2006 Lim
D520,975 S 5/2006 Kim et al.
D521,965 S 5/2006 Ko et al.
D521,966 S 5/2006 Kim et al.
D521,967 S 5/2006 Lim
D522,986 S 6/2006 Kwon et al.
D523,832 S 6/2006 Kwon et al.
D525,958 S 8/2006 Kwon et al.
D526,294 S 8/2006 Kwon et al.
D526,979 S 8/2006 Lim

OTHER PUBLICATIONS

U.S. Appl. No. 29/259,105, Applicant: Jin-Wook Kim, filed May 2, 2006 entitled Digital Video Recorder.
U.S. Appl. No. 29/241,756, Applicant: Jung-Hyun Park, filed Oct. 31, 2005 entitled Complex Image Player.

(Continued)

Primary Examiner—Nanda Bondade
(74) *Attorney, Agent, or Firm*—Flynn, Thiel, Boutell & Tanis, P.C.

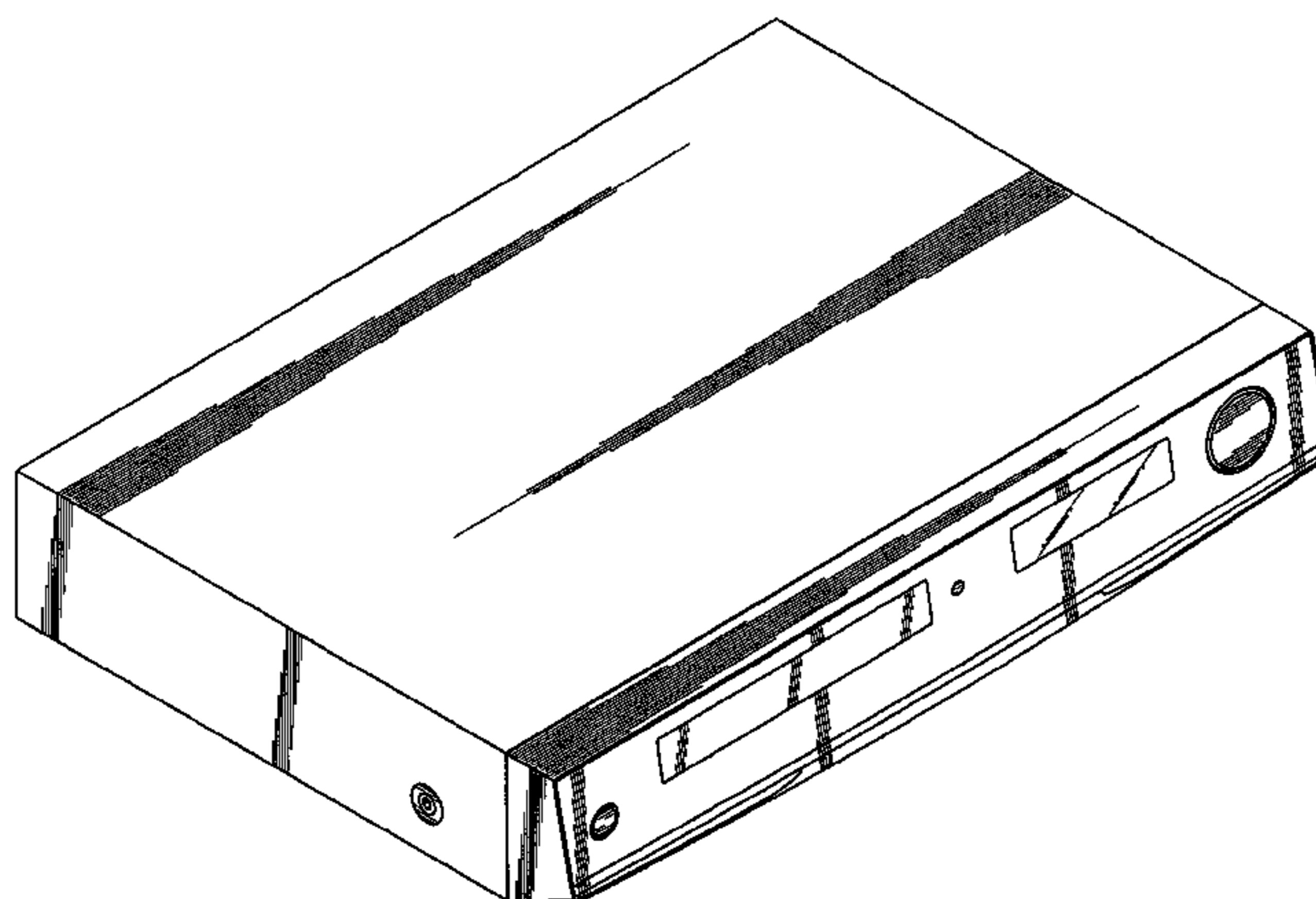
(57) **CLAIM**

The ornamental design for a blu-ray disk player, as shown and described.

DESCRIPTION

FIG. 1 is a top front perspective view of a blu-ray disk player showing our new design;
FIG. 2 is a front elevational view thereof;
FIG. 3 is a rear elevational view thereof;
FIG. 4 is a left side elevational view thereof, the right side being a mirror image;
FIG. 5 is a top plan view thereof; and,
FIG. 6 is a bottom plan view thereof.

1 Claim, 4 Drawing Sheets



OTHER PUBLICATIONS

U.S. Appl. No. 29/241,757, Applicant: Jung-Hyun Park, filed Oct. 31, 2005 entitled Complex Image Player.

U.S. Appl. No. 29/241,751, Applicant: Jung-Hyun Park, filed Oct. 31, 2005 entitled DVD Recorder.

U.S. Appl. No. 29/269,995, Applicant: Jung-Hyun Park, filed Dec. 12, 2006 entitled DVD Recorder.

U.S. Appl. No. 29/269,996, Applicant: Jung-Hyun Park, filed Dec. 12, 2006 entitled DVD Recorder.

U.S. Appl. No. 29/269,992, Applicant: Jung-Hyun Park, filed Dec. 12, 2006 entitled DVD Recorder.

U.S. Appl. No. 29/269,991, Applicant: Jung-Hyun Park, filed Dec. 12, 2006 entitled DVD Recorder.

U.S. Appl. No. 29/269,993, Applicant: Jung-Hyun Park, et al., filed Dec. 12, 2006 entitled DVD Recorder.

U.S. Appl. No. 29/269,990, Applicant: Ju-Won Cho, et al., filed Dec. 12, 2006 entitled DVD Recorder.

U.S. Appl. No. 29/269,994, Applicant: Jung-Hyun Park, filed Dec. 12, 2006 entitled Blu-Ray Disk Player.

* cited by examiner

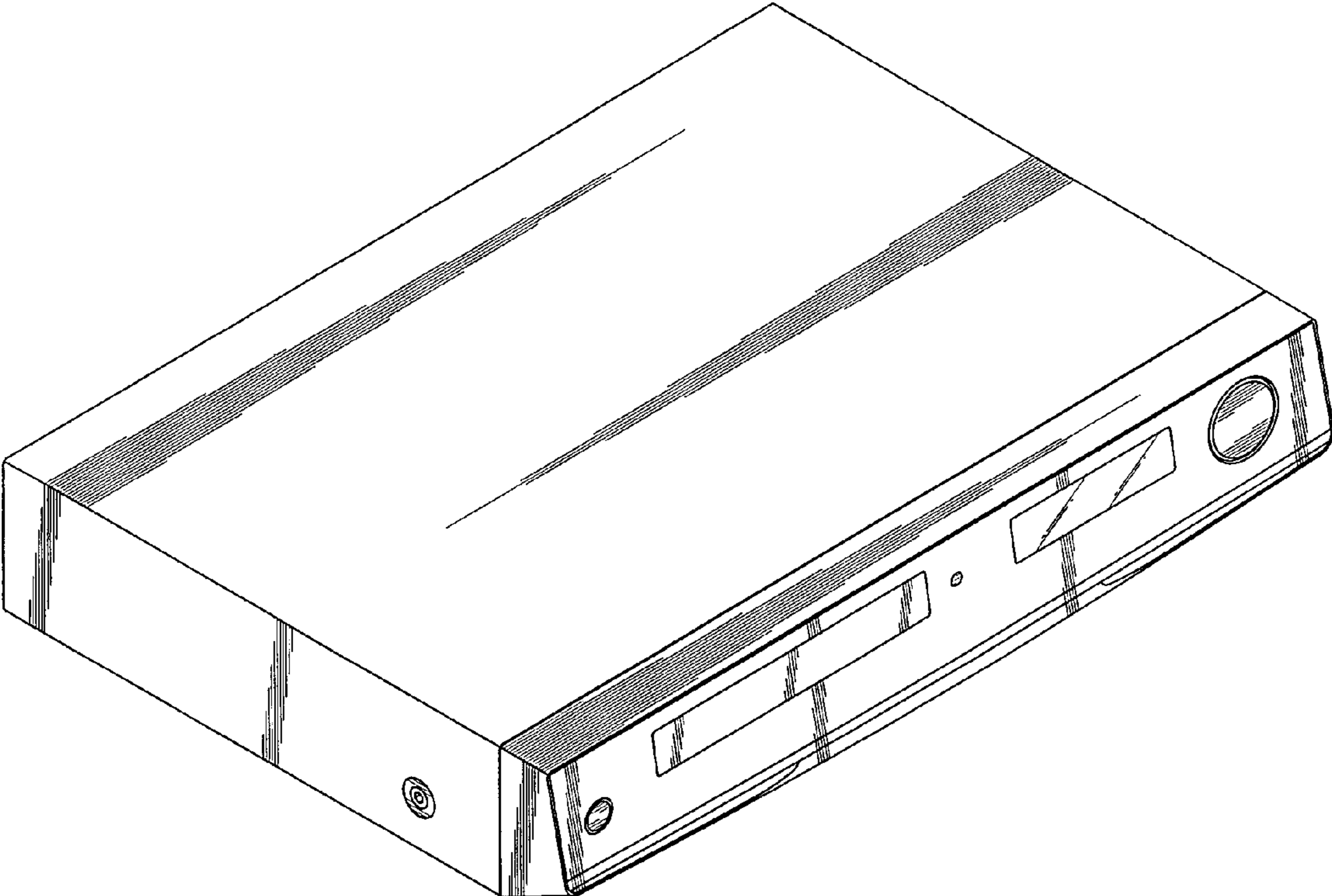


FIG. 1

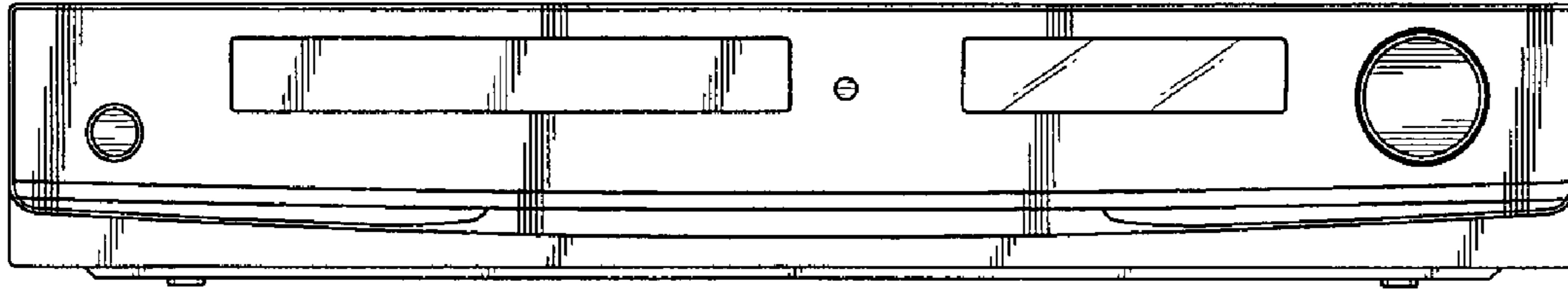


FIG. 2

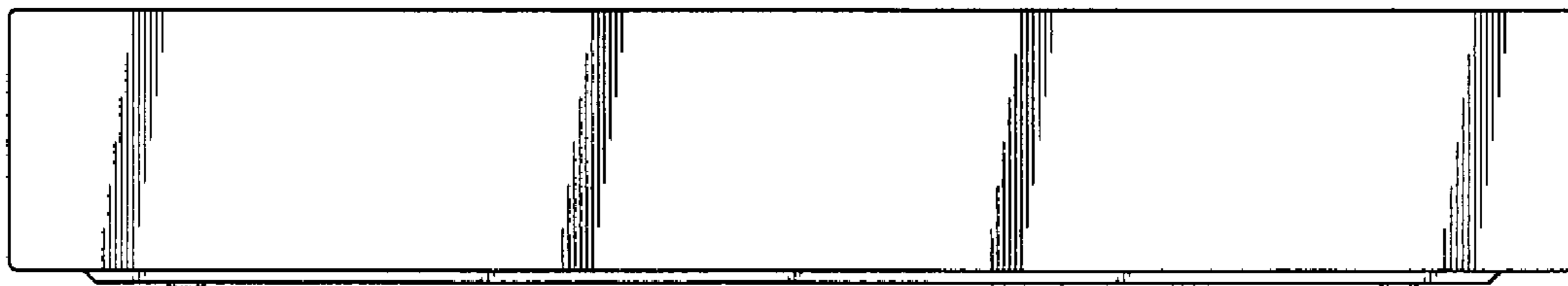


FIG. 3

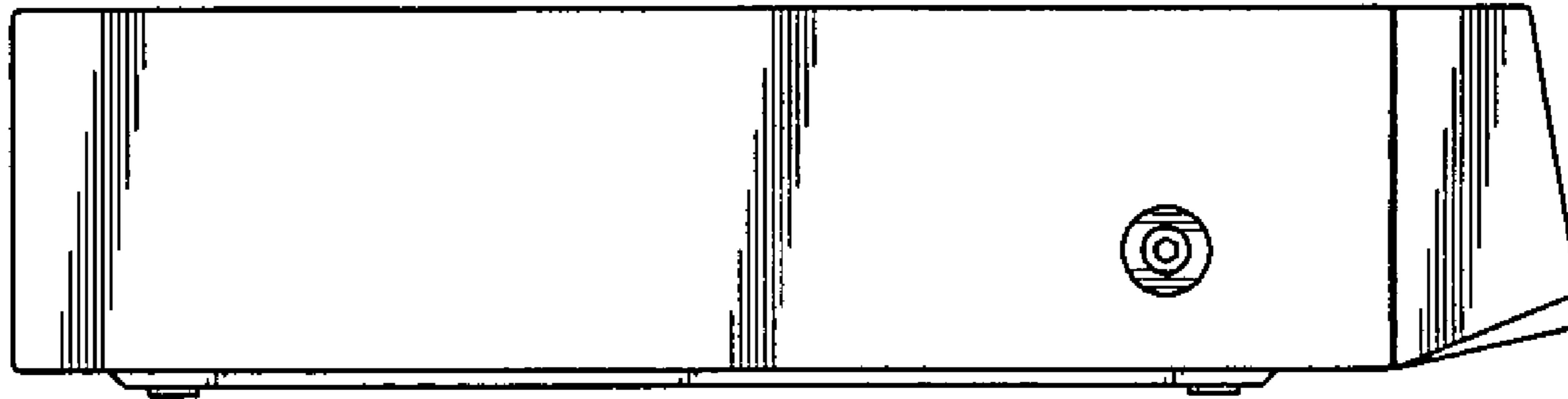


FIG. 4

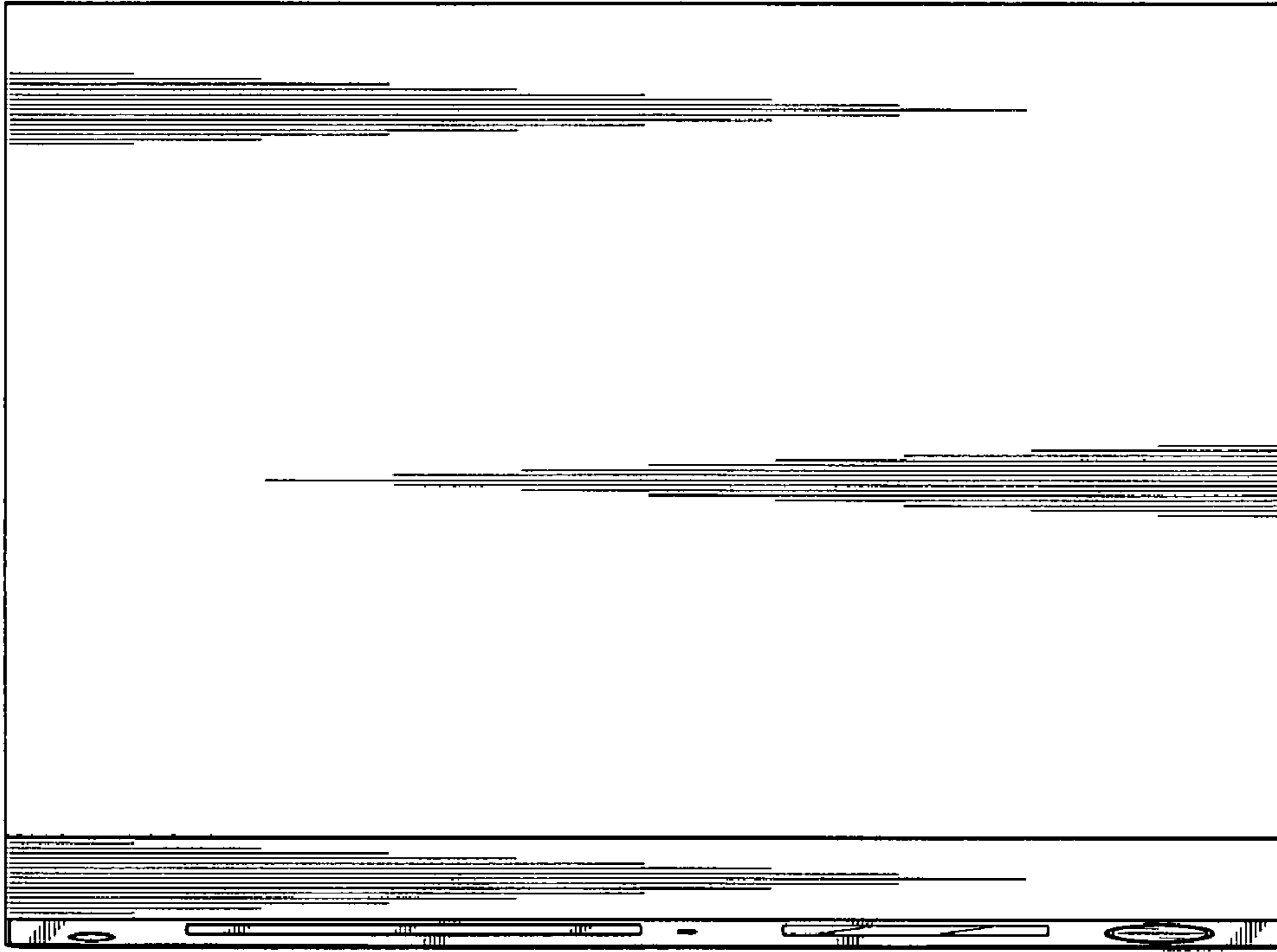


FIG. 5

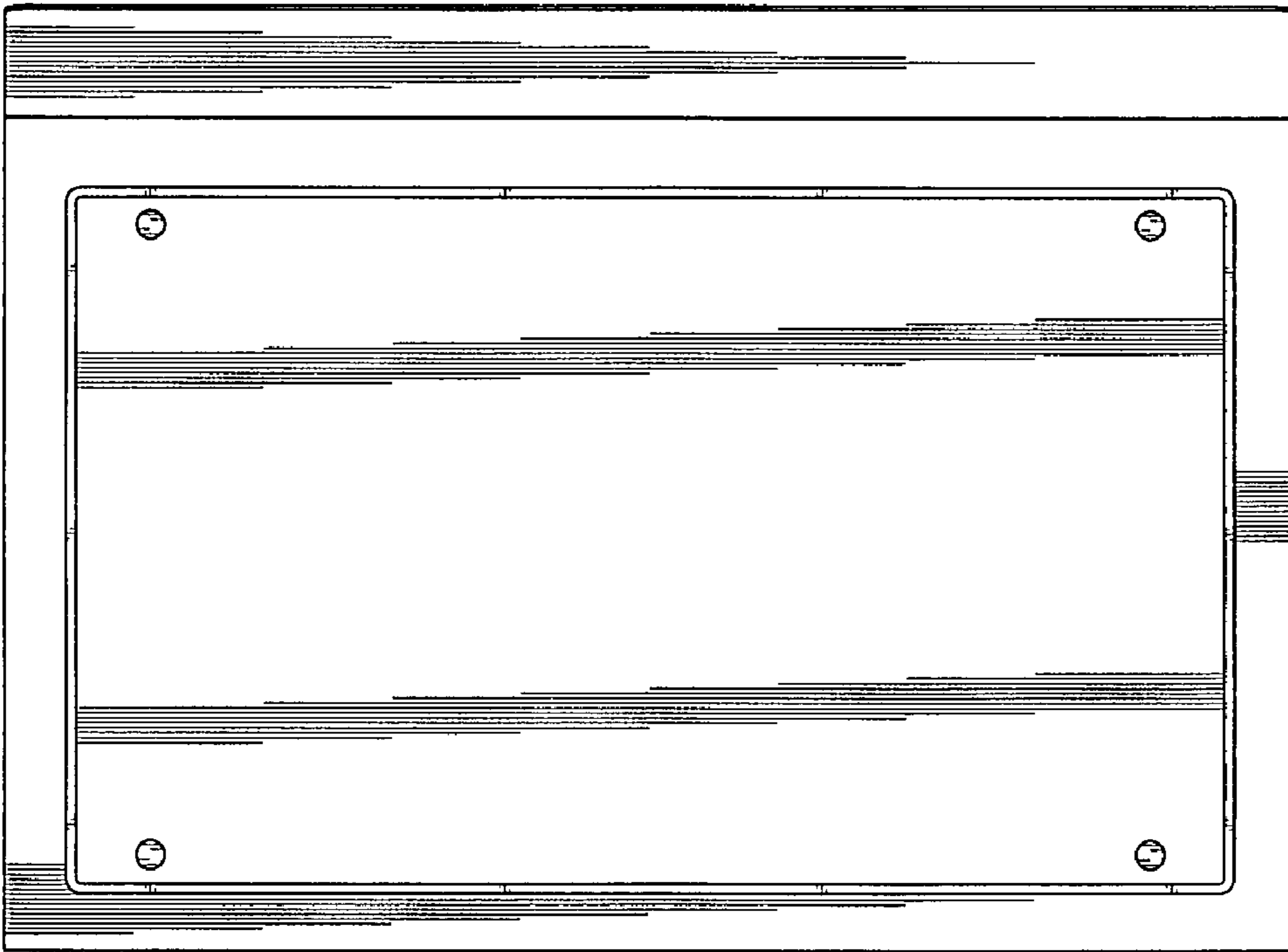


FIG. 6