



US00D561139S

(12) **United States Design Patent**
Vitito

(10) **Patent No.:** **US D561,139 S**

(45) **Date of Patent:** **** Feb. 5, 2008**

(54) **PORTABLE ENTERTAINMENT SYSTEM**

(76) **Inventor:** **Christopher J. Vitito**, 514
Longmeadow St., Celebration, FL (US)
34747

(**) **Term:** **14 Years**

(21) **Appl. No.:** **29/274,411**

(22) **Filed:** **Apr. 23, 2007**

(51) **LOC (8) Cl.** **14-03**

(52) **U.S. Cl.** **D14/132**

(58) **Field of Classification Search** D14/125-134,
D14/239, 371, 136, 374-377; 312/7.2; 348/836,
348/838, 180, 184, 325, 739; 341/12; 248/917-924,
248/465; 345/104, 133, 156, 168, 87, 173;
720/605, 669, 600, 655; 369/99, 197; 455/344-347
See application file for complete search history.

(56) **References Cited**

U.S. PATENT DOCUMENTS

D284,473	S	*	7/1986	Ohtsu	D14/132
D288,321	S	*	2/1987	Ohtsu	D14/132
6,049,450	A		4/2000	Cho et al.		
D445,408	S	*	7/2001	Hwang	D14/132
6,352,322	B1	*	3/2002	Nakao	312/7.2
6,443,574	B1		9/2002	Howell et al.		
D482,669	S	*	11/2003	Hori et al.	D14/132
D496,013	S		9/2004	Tanaka		
D502,690	S		3/2005	Uehara et al.		
D511,755	S	*	11/2005	Peng	D14/132
D516,529	S	*	3/2006	Ko et al.	D14/132
D529,462	S	*	10/2006	Lee et al.	D14/132

D535,269	S	*	1/2007	Vitito	D14/132
2004/0017652	A1		1/2004	Billington et al.		
2004/0085485	A1		5/2004	Schedivy		
2004/0212957	A1		10/2004	Schedivy		
2004/0228622	A1		11/2004	Schedivy		
2005/0025466	A1		2/2005	Yen et al.		
2006/0103626	A1	*	5/2006	Tsuda	345/156

* cited by examiner

Primary Examiner—Raphael Barkai

(74) *Attorney, Agent, or Firm*—Welsh & Flaxman LLC

(57) **CLAIM**

The ornamental design for a portable entertainment system, as shown and described.

DESCRIPTION

FIG. 1 is a front perspective view of a portable entertainment system showing my new design.

FIG. 2 is a rear perspective view of thereof.

FIG. 3 is a front plan view of thereof.

FIG. 4 is a rear plan view of thereof.

FIG. 5 is a right side plan view of thereof.

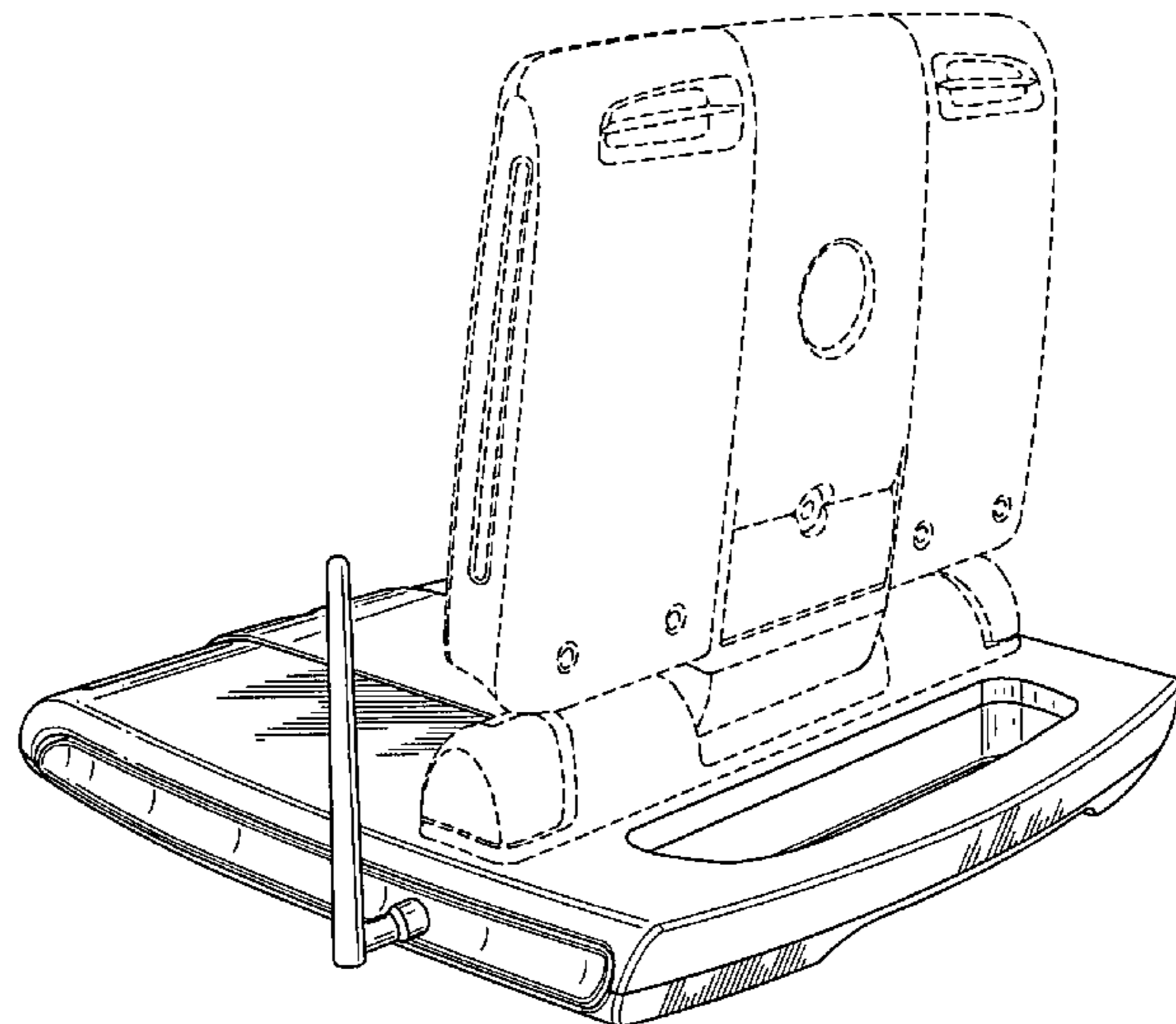
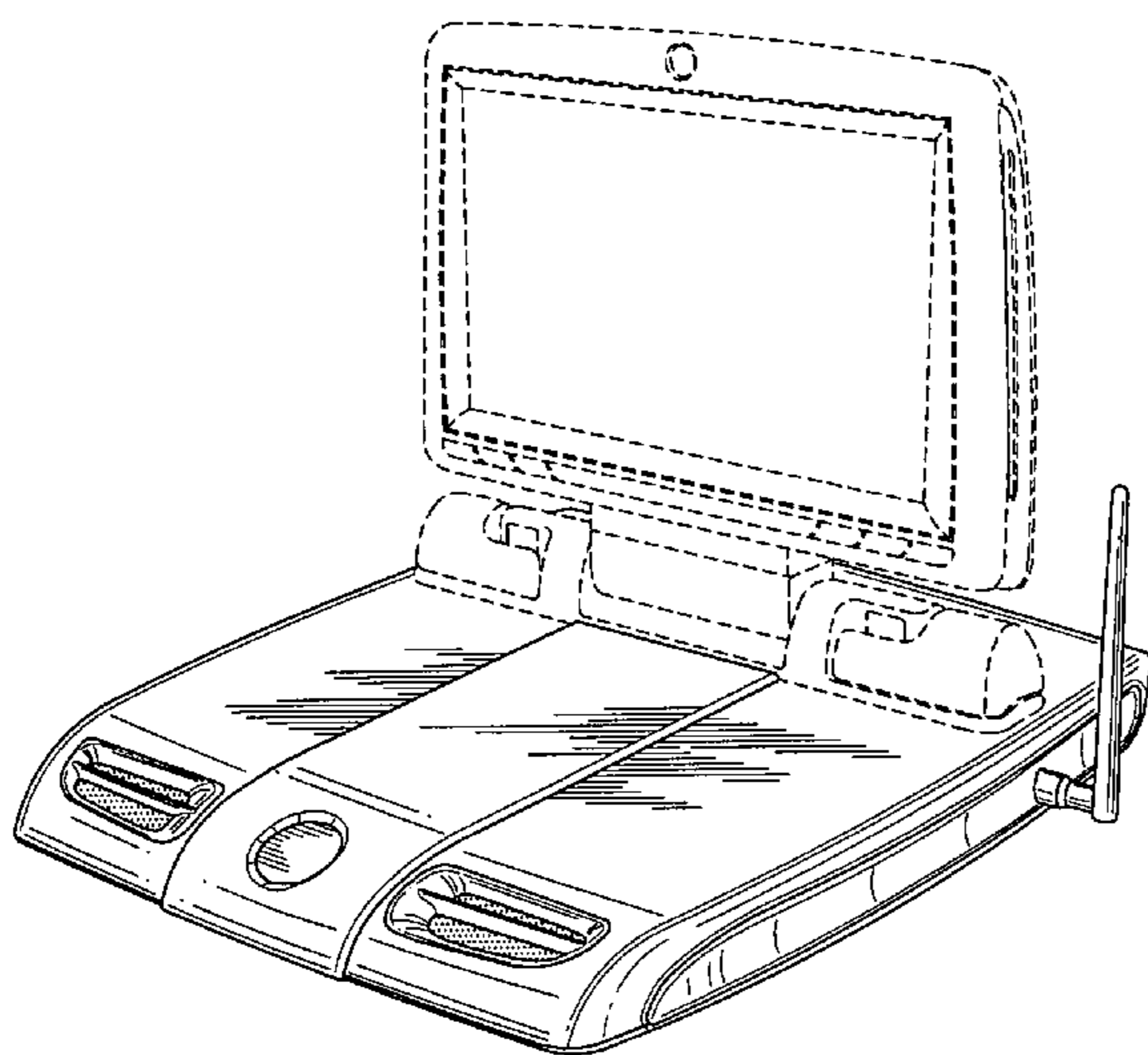
FIG. 6 is a left side plan view of thereof.

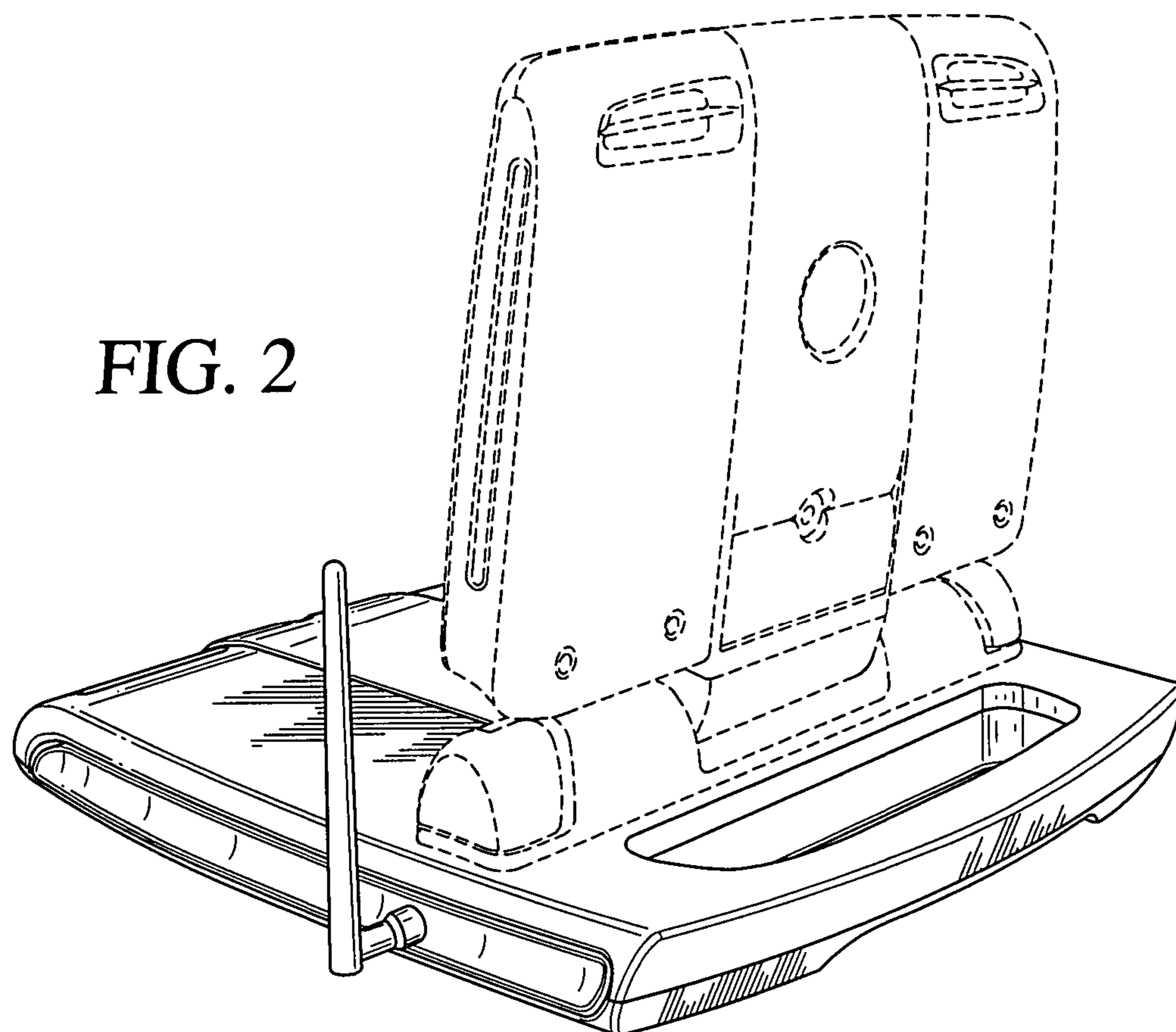
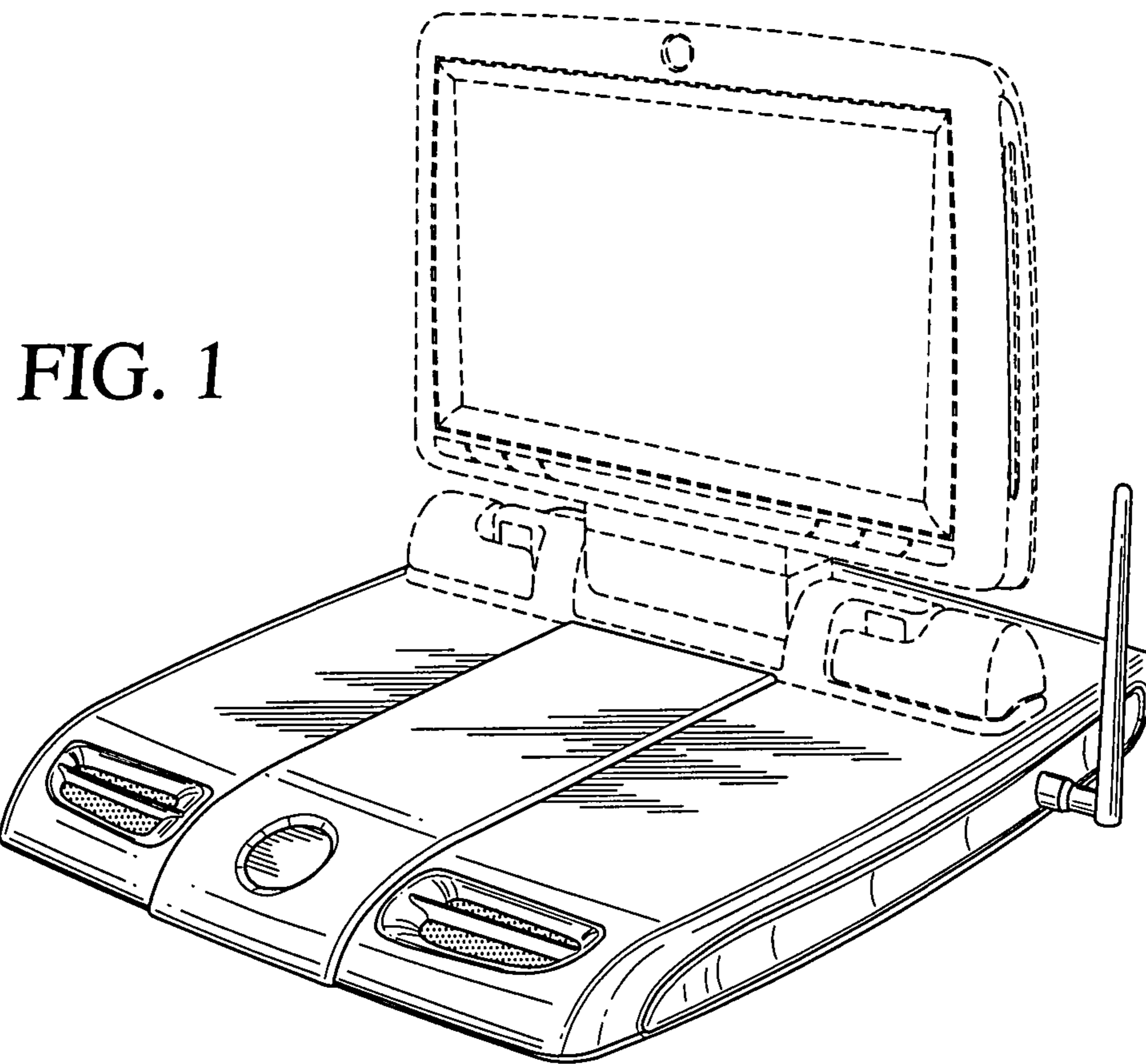
FIG. 7 is a top plan view of thereof; and,

FIG. 8 is a bottom plan view of thereof.

The broken lines in the drawings are for the purpose of showing environmental structure and do not form part of the design to be patented.

1 Claim, 5 Drawing Sheets





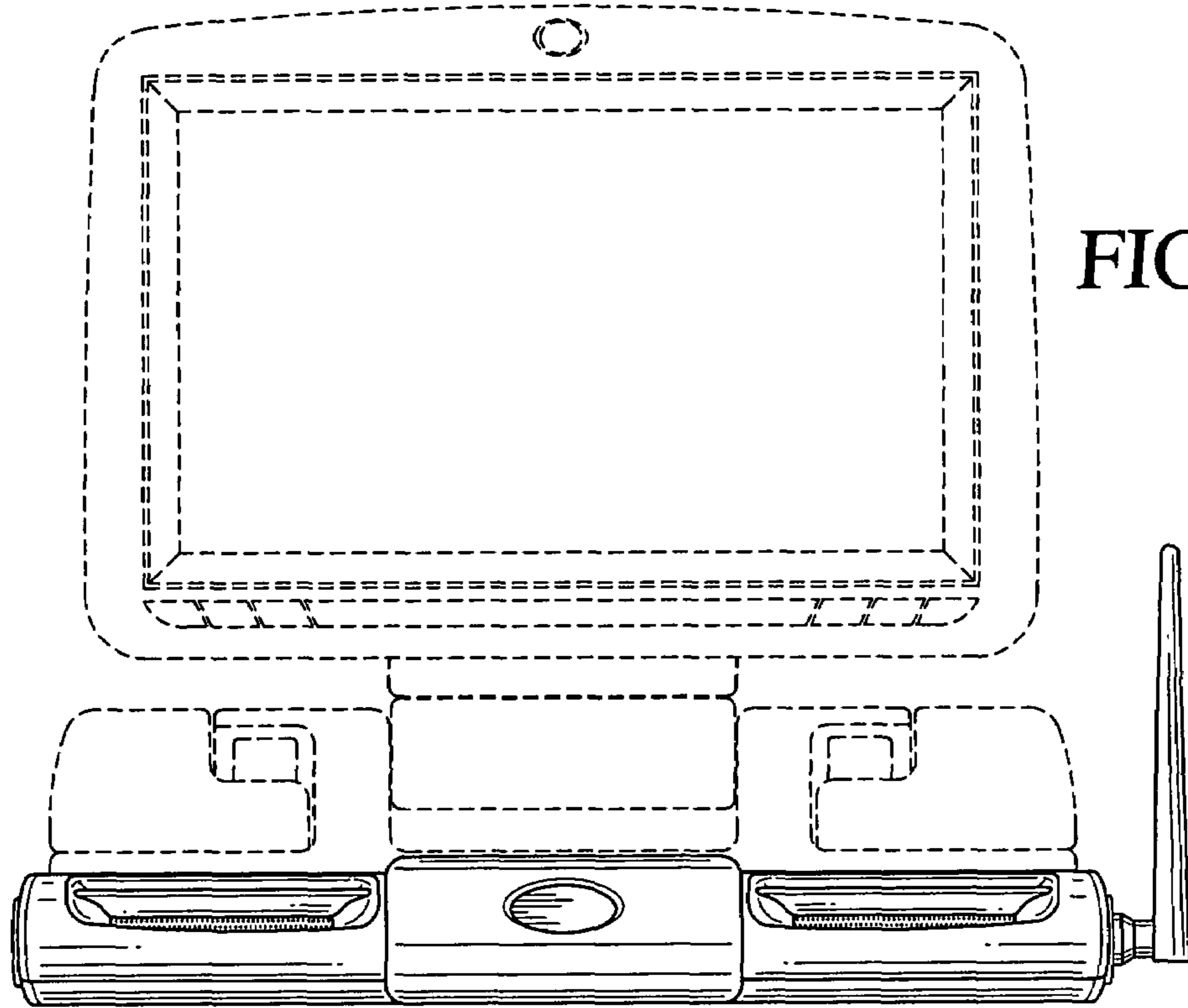


FIG. 3

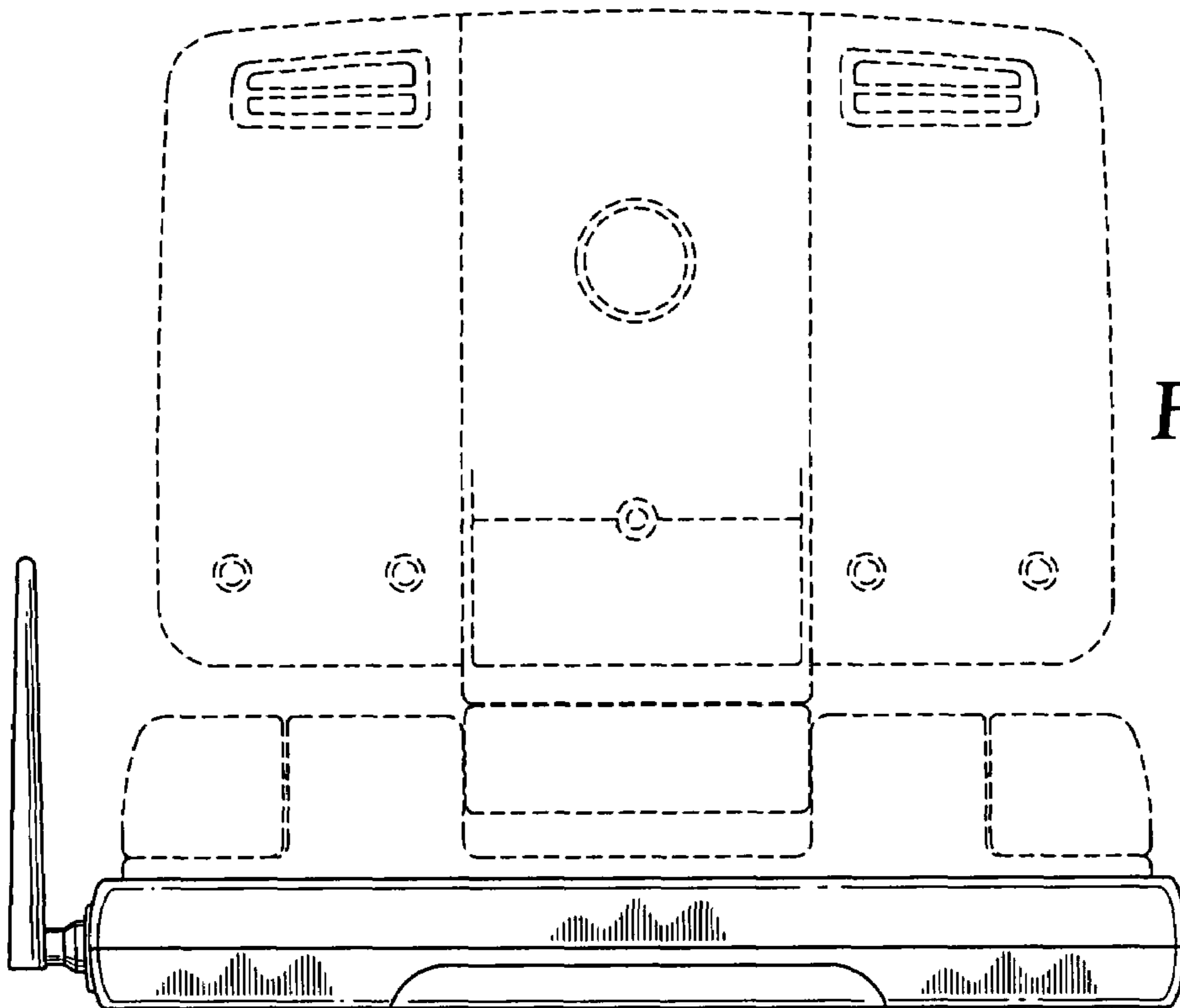


FIG. 4

FIG. 5

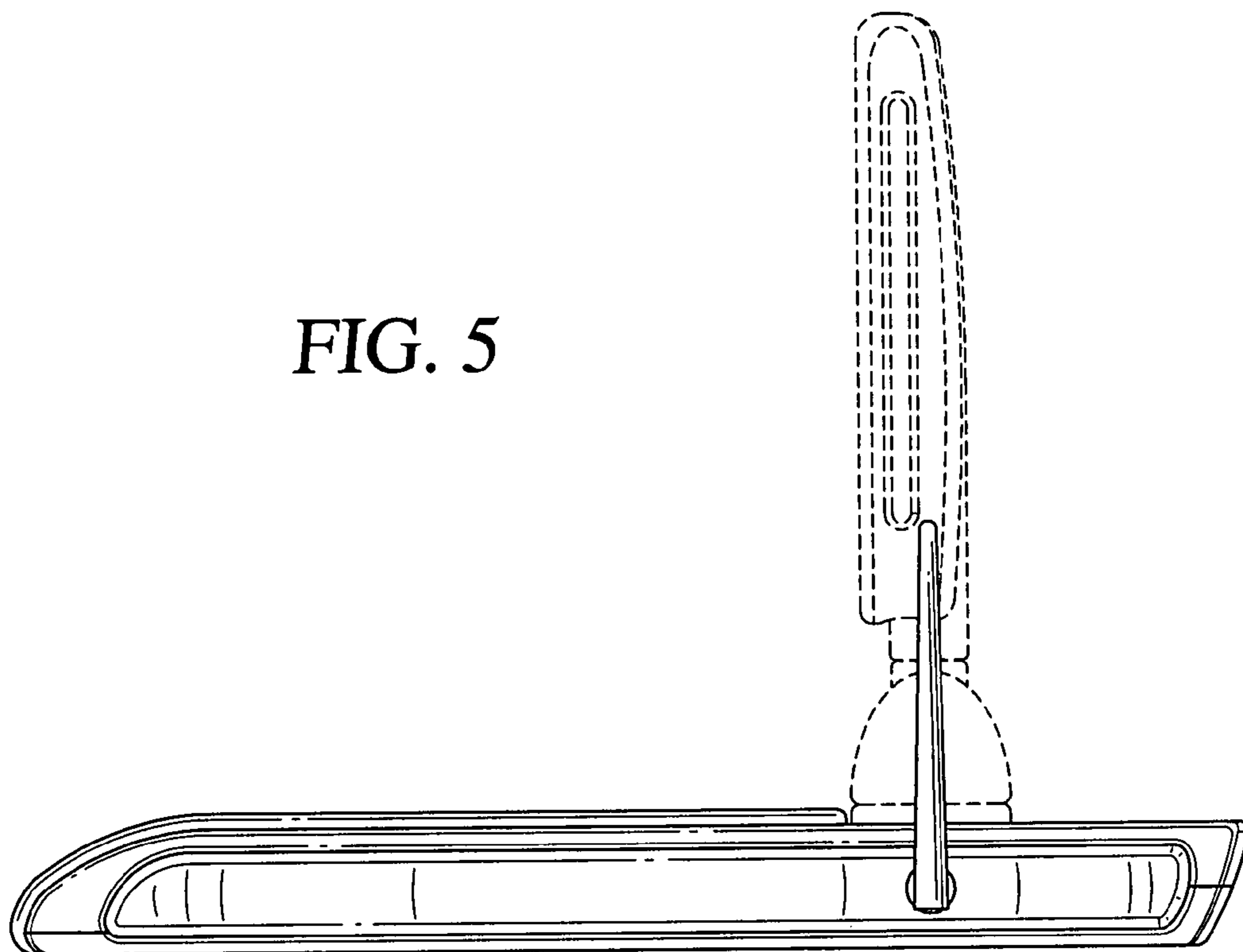
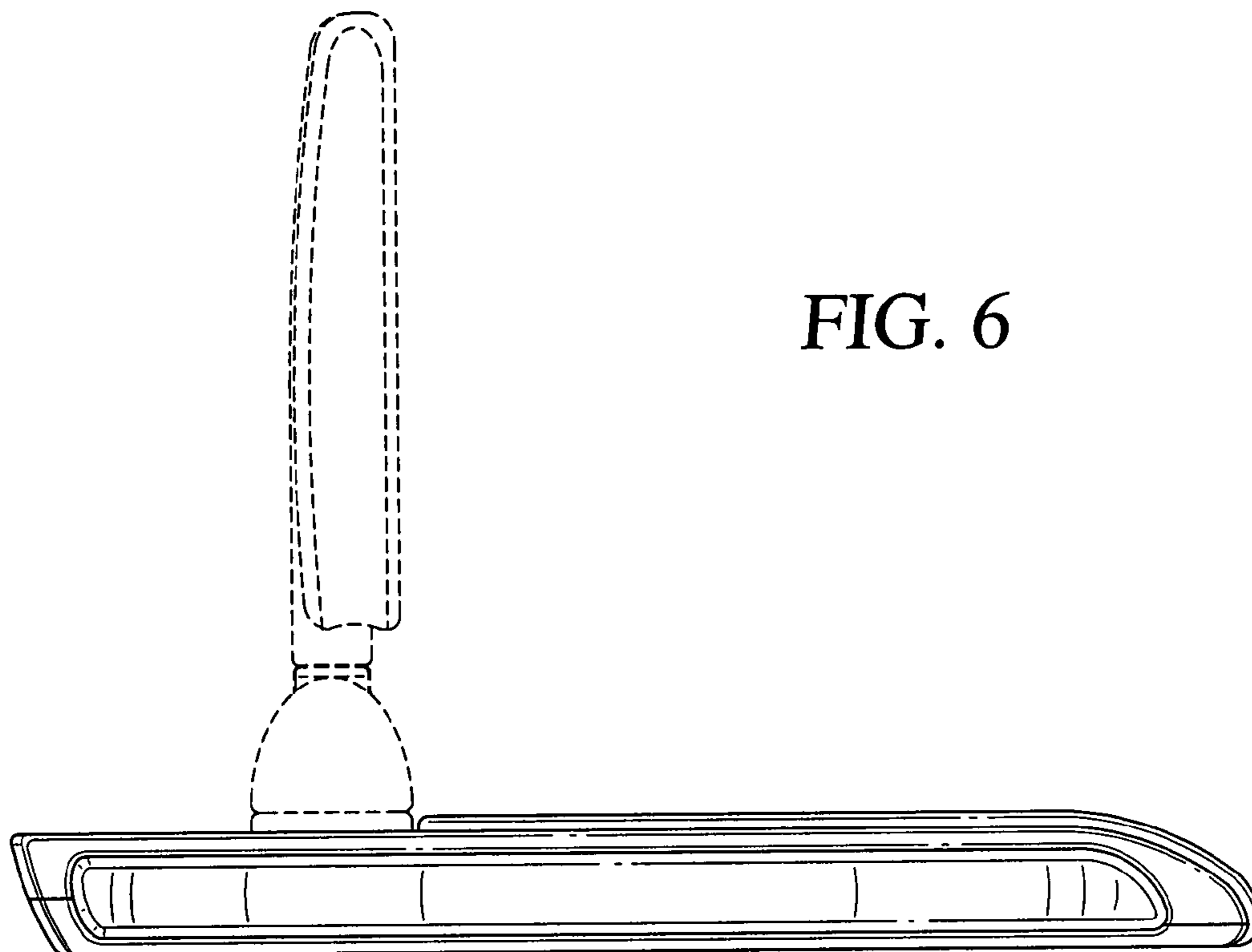


FIG. 6



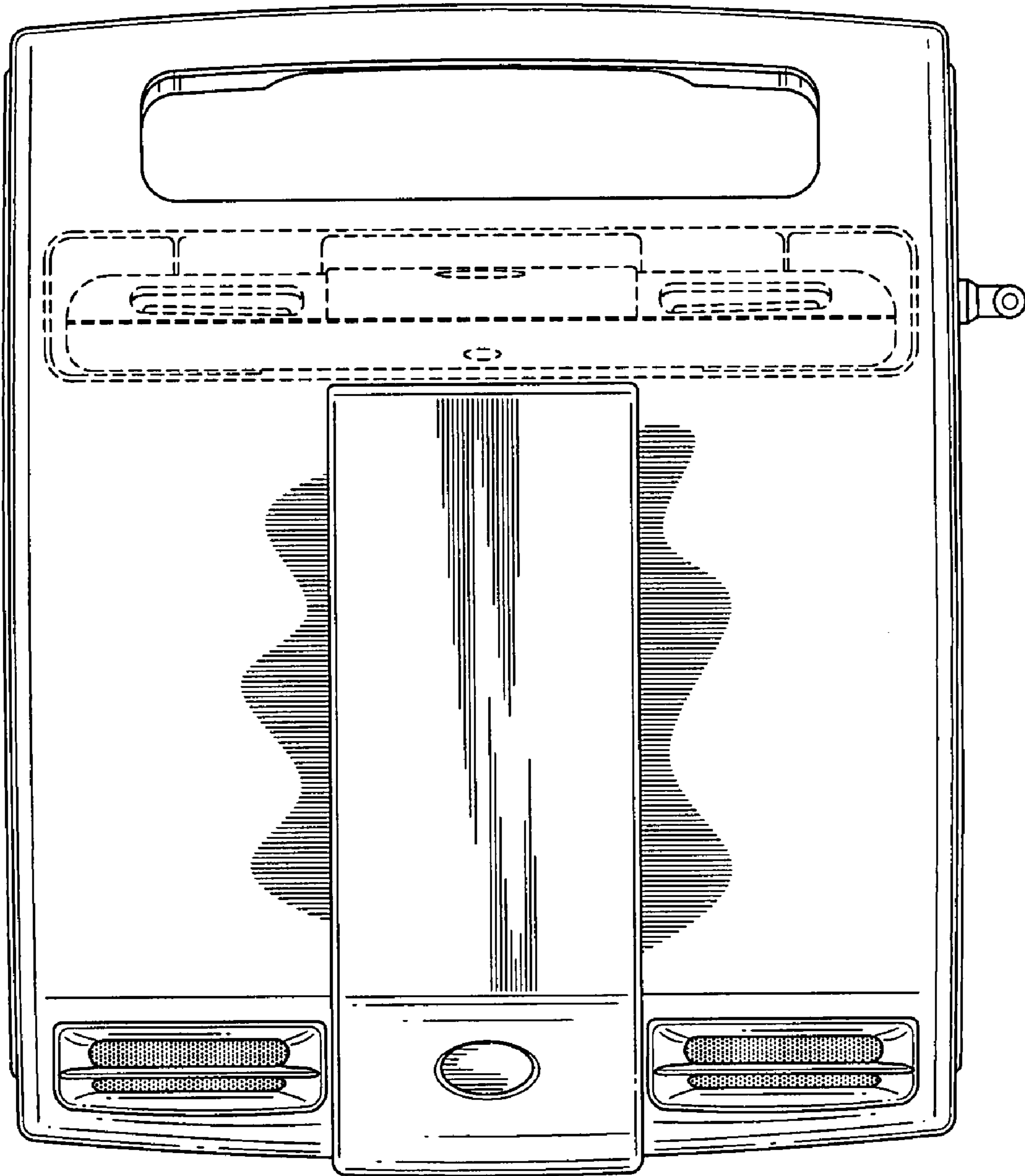


FIG. 7

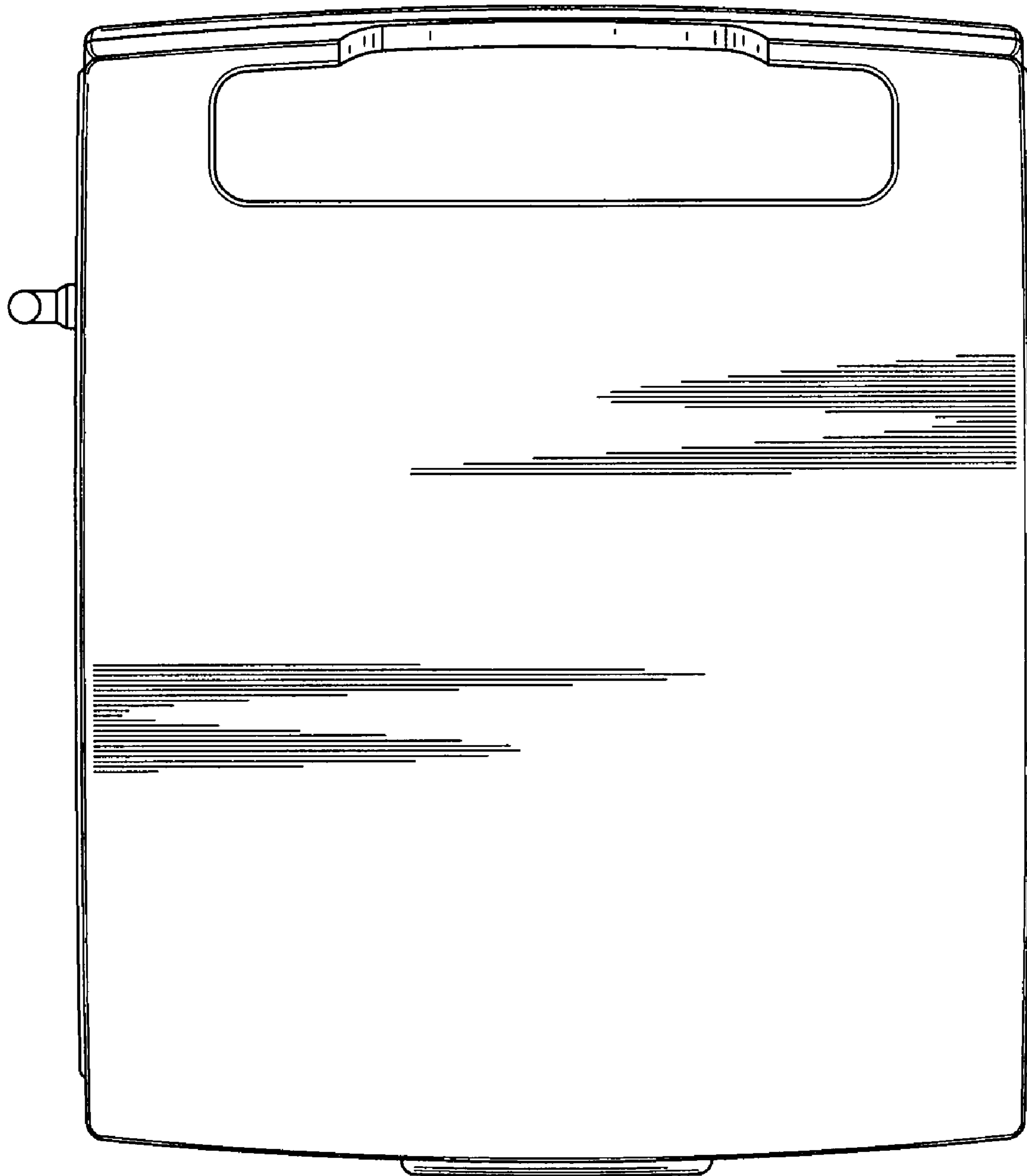


FIG. 8