



US00D561138S

(12) **United States Design Patent**  
**Vitito**

(10) **Patent No.:** **US D561,138 S**

(45) **Date of Patent:** **\*\* Feb. 5, 2008**

(54) **PORTABLE ENTERTAINMENT SYSTEM**

(76) **Inventor:** **Christopher J. Vitito**, 514  
Longmeadow St., Celebration, FL (US)  
34747

(\*\*) **Term:** **14 Years**

(21) **Appl. No.:** **29/274,410**

(22) **Filed:** **Apr. 23, 2007**

(51) **LOC (8) Cl.** ..... **14-03**

(52) **U.S. Cl.** ..... **D14/132**

(58) **Field of Classification Search** ..... D14/125-135,  
D14/239, 371, 136, 374-377; 312/7.2; 348/836,  
348/838, 180, 184, 325, 739; 341/12; 248/917-924,  
248/465; 345/104, 133, 156, 168, 87, 173;  
720/605, 669, 600, 655; 369/99, 197; 455/344-347  
See application file for complete search history.

(56) **References Cited**

**U.S. PATENT DOCUMENTS**

|                |         |               |       |         |
|----------------|---------|---------------|-------|---------|
| D284,473 S *   | 7/1986  | Ohtsu         | ..... | D14/132 |
| D288,321 S *   | 2/1987  | Ohtsu         | ..... | D14/132 |
| D445,408 S *   | 7/2001  | Hwang         | ..... | D14/132 |
| 6,352,322 B1 * | 3/2002  | Nakao         | ..... | 312/7.2 |
| D469,747 S     | 2/2003  | To et al.     |       |         |
| D470,828 S     | 2/2003  | Solland       |       |         |
| D482,669 S *   | 11/2003 | Hori et al.   | ..... | D14/132 |
| D496,013 S     | 9/2004  | Tanaka        |       |         |
| D502,690 S     | 3/2005  | Uehara et al. |       |         |
| D511,755 S *   | 11/2005 | Peng          | ..... | D14/132 |

|                   |         |                   |       |         |
|-------------------|---------|-------------------|-------|---------|
| D516,529 S *      | 3/2006  | Ko et al.         | ..... | D14/132 |
| D529,462 S *      | 10/2006 | Lee et al.        | ..... | D14/132 |
| D535,269 S *      | 1/2007  | Vitito            | ..... | D14/132 |
| 2004/0017652 A1   | 1/2004  | Billington et al. |       |         |
| 2006/0070103 A1   | 3/2006  | Vitito            |       |         |
| 2006/0103626 A1 * | 5/2006  | Tsuda             | ..... | 345/156 |

\* cited by examiner

*Primary Examiner*—Raphael Barkai  
(74) *Attorney, Agent, or Firm*—Welsh & Flaxman LLC

(57) **CLAIM**

The ornamental design for a portable entertainment system, as shown and described.

**DESCRIPTION**

FIG. 1 is a front perspective view of a portable entertainment system showing my new design.

FIG. 2 is a rear perspective view of thereof.

FIG. 3 is a front plan view of thereof.

FIG. 4 is a rear plan view of thereof.

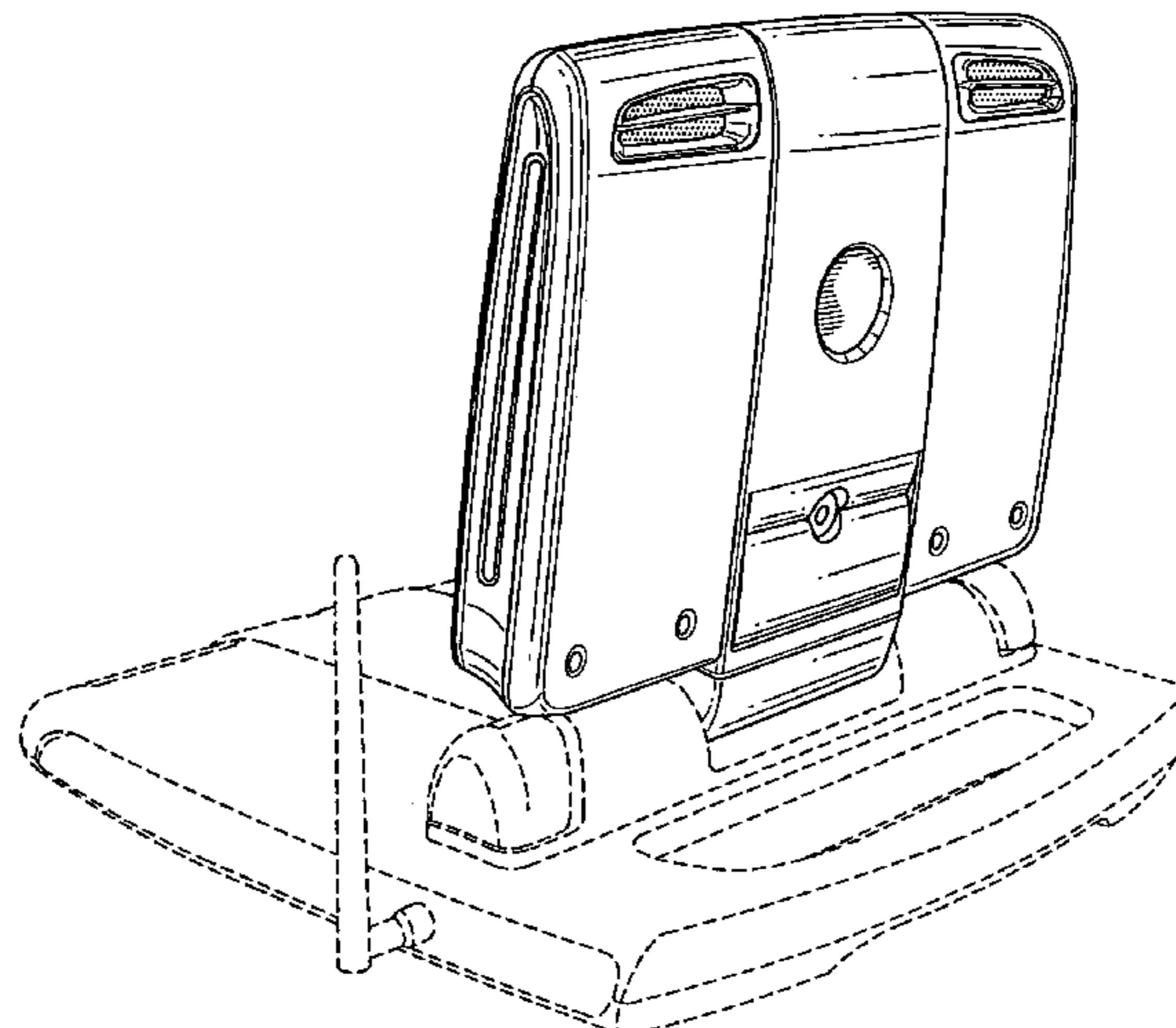
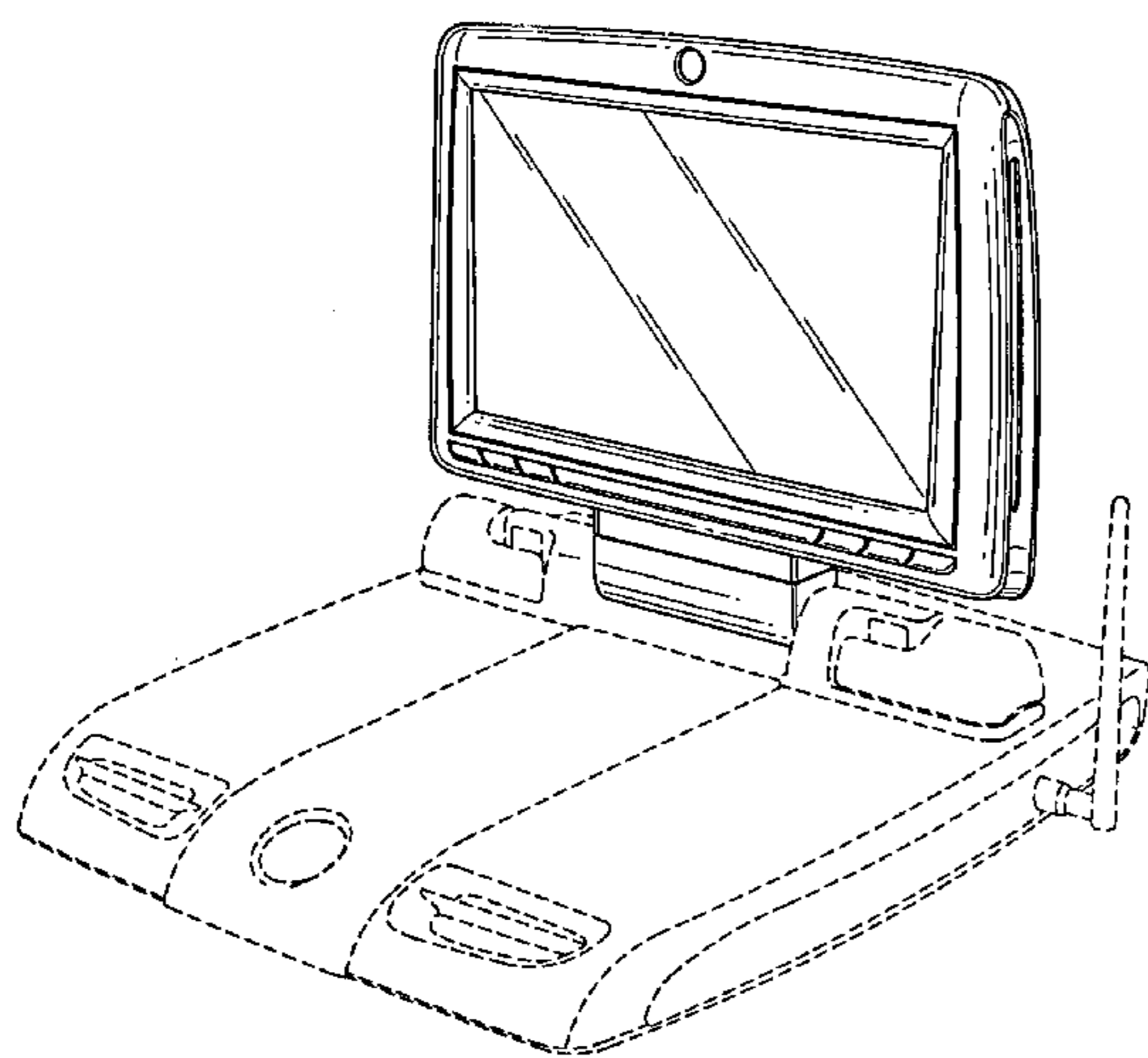
FIG. 5 is a right side plan view of thereof.

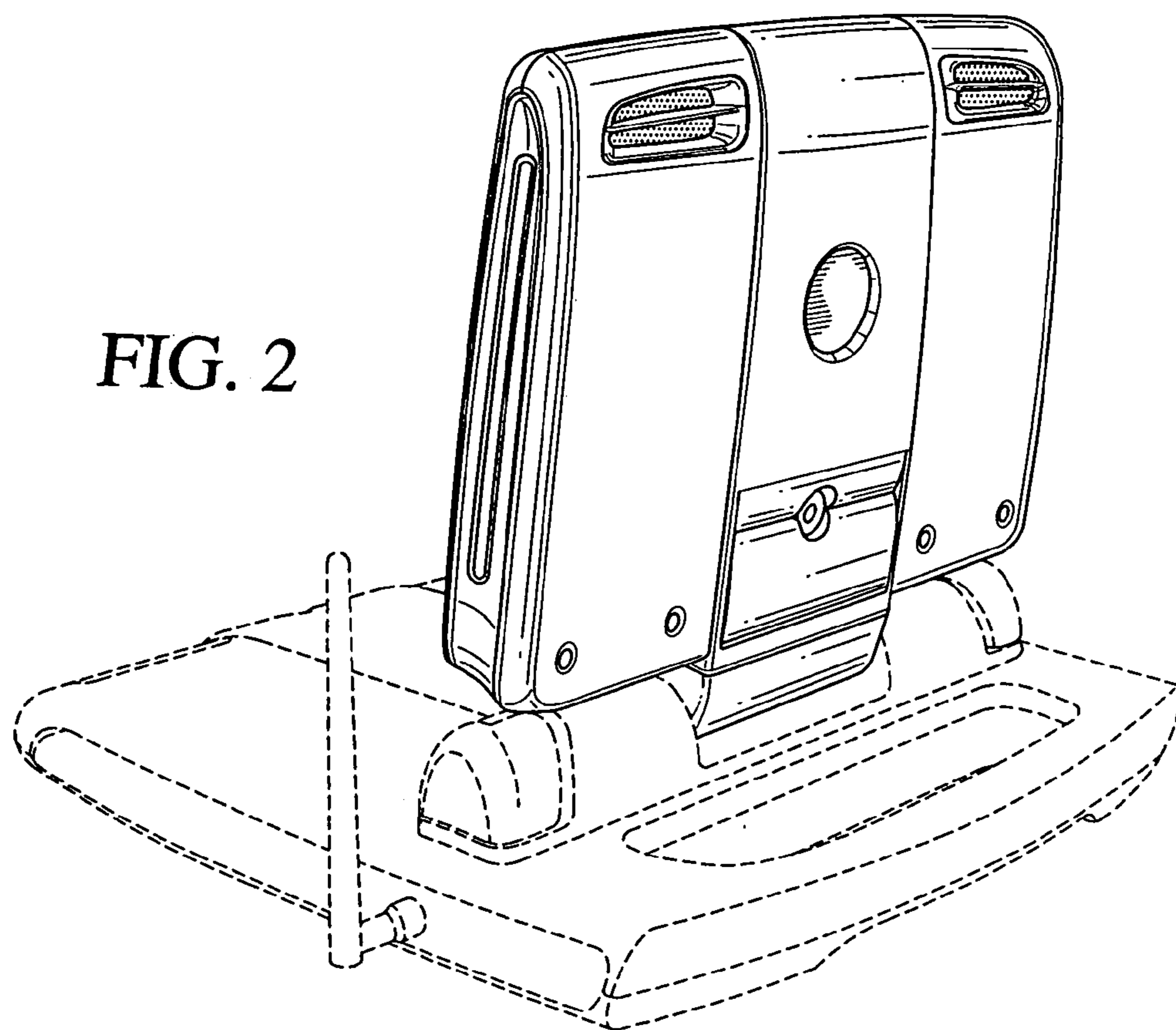
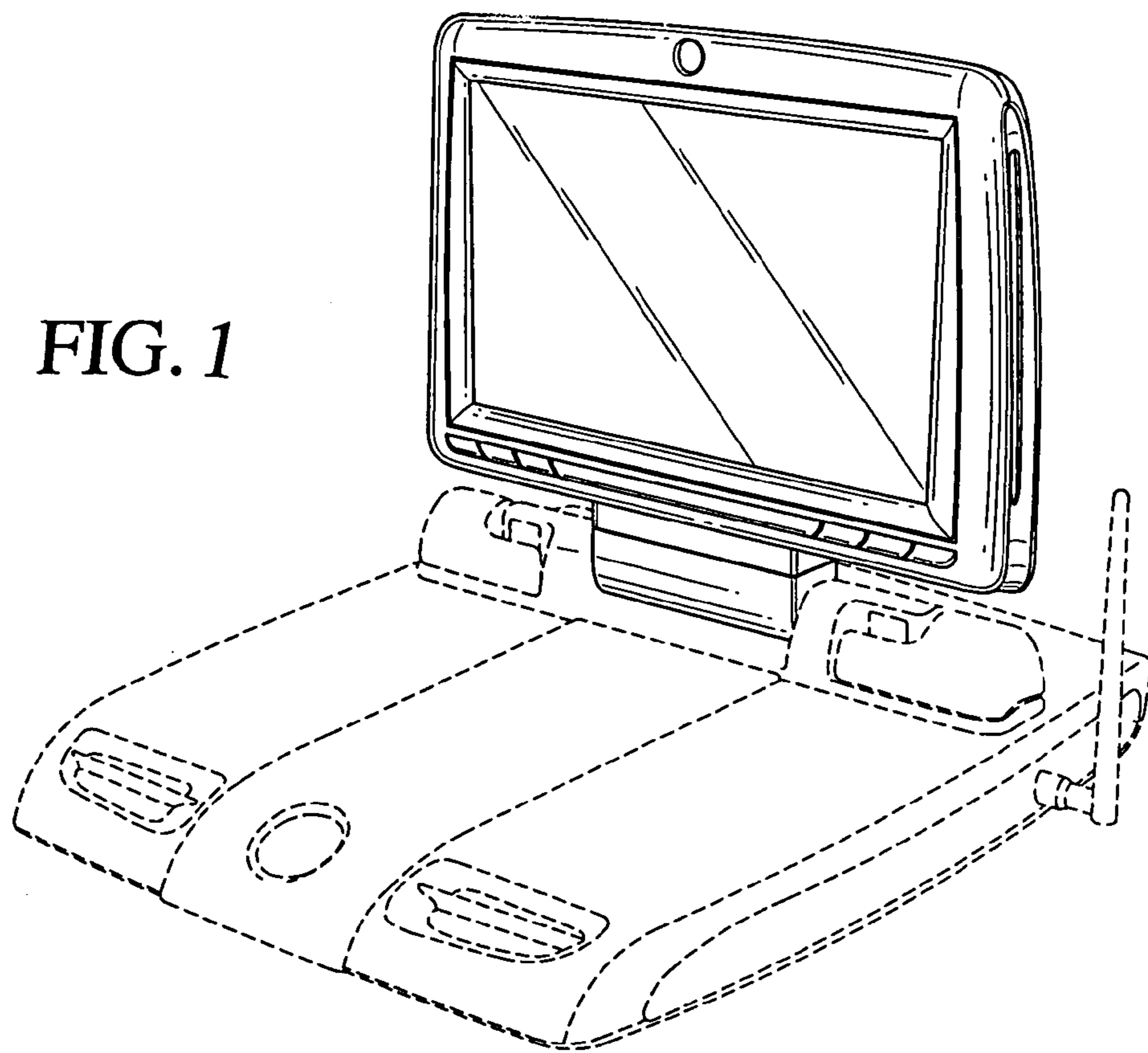
FIG. 6 is a left side plan view of thereof; and,

FIG. 7 is a top plan view of thereof.

The broken lines in the drawings are for the purpose of showing environmental structure and do not form part of the design to be patented.

**1 Claim, 4 Drawing Sheets**





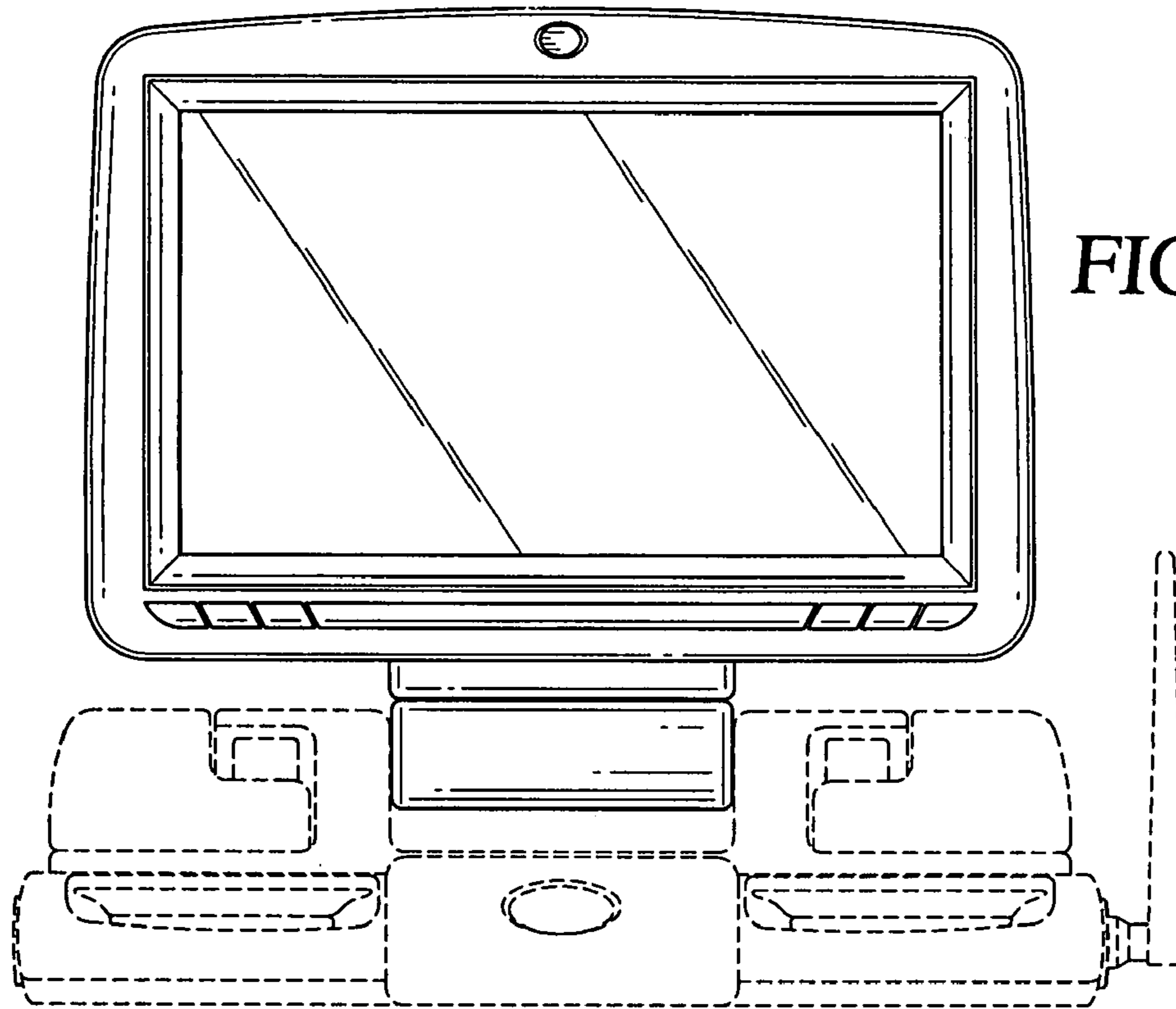


FIG. 3

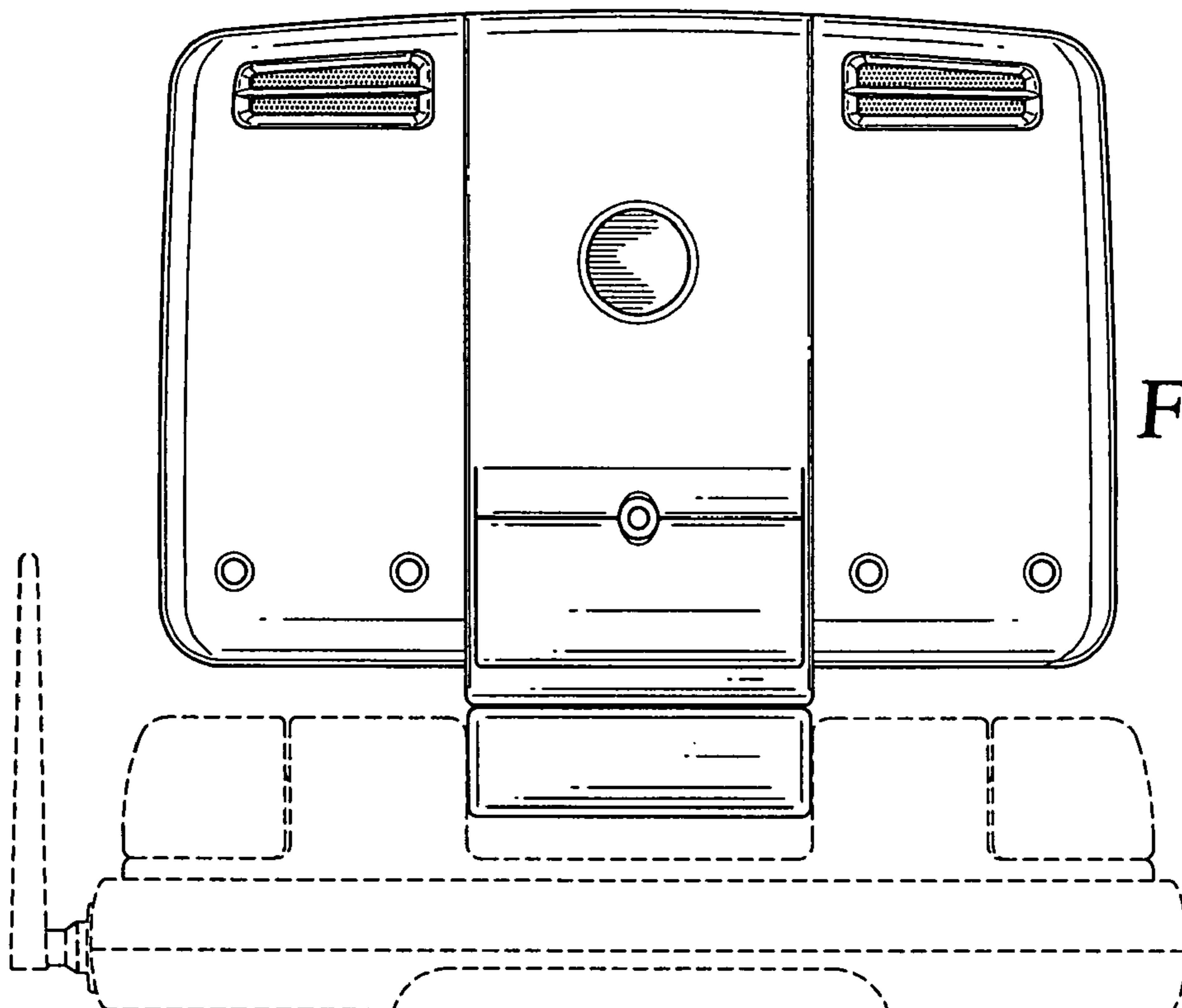


FIG. 4

FIG. 5

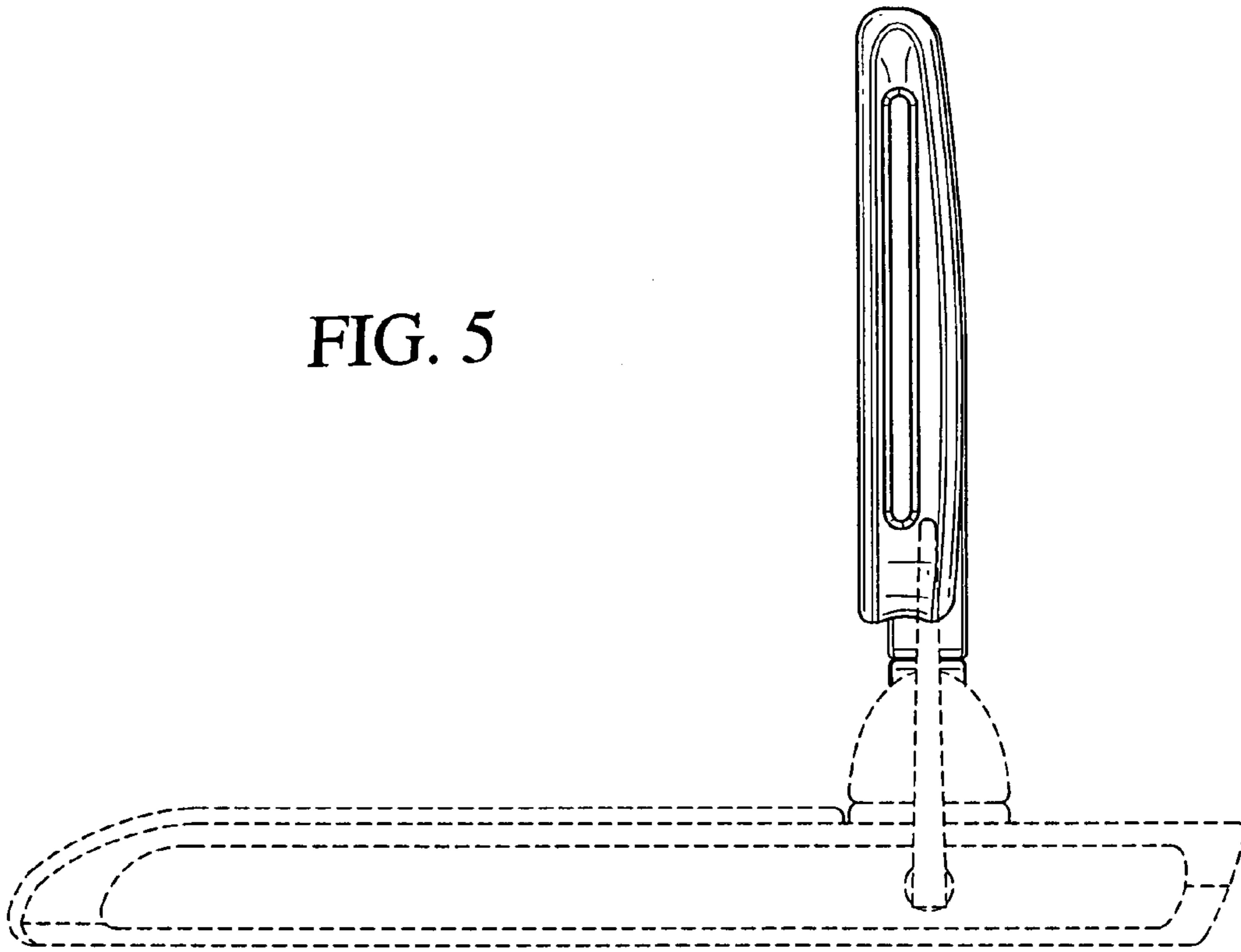
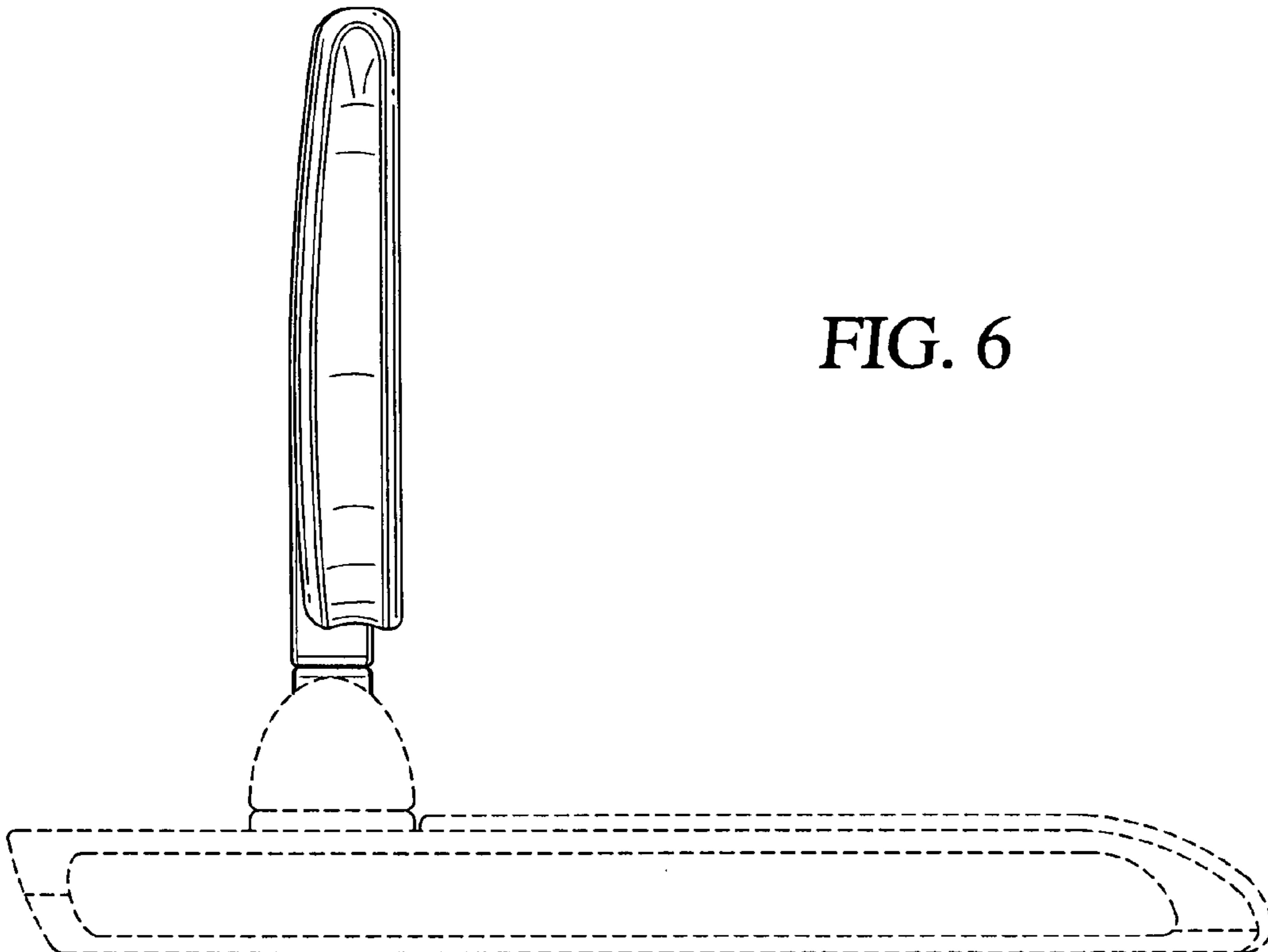


FIG. 6



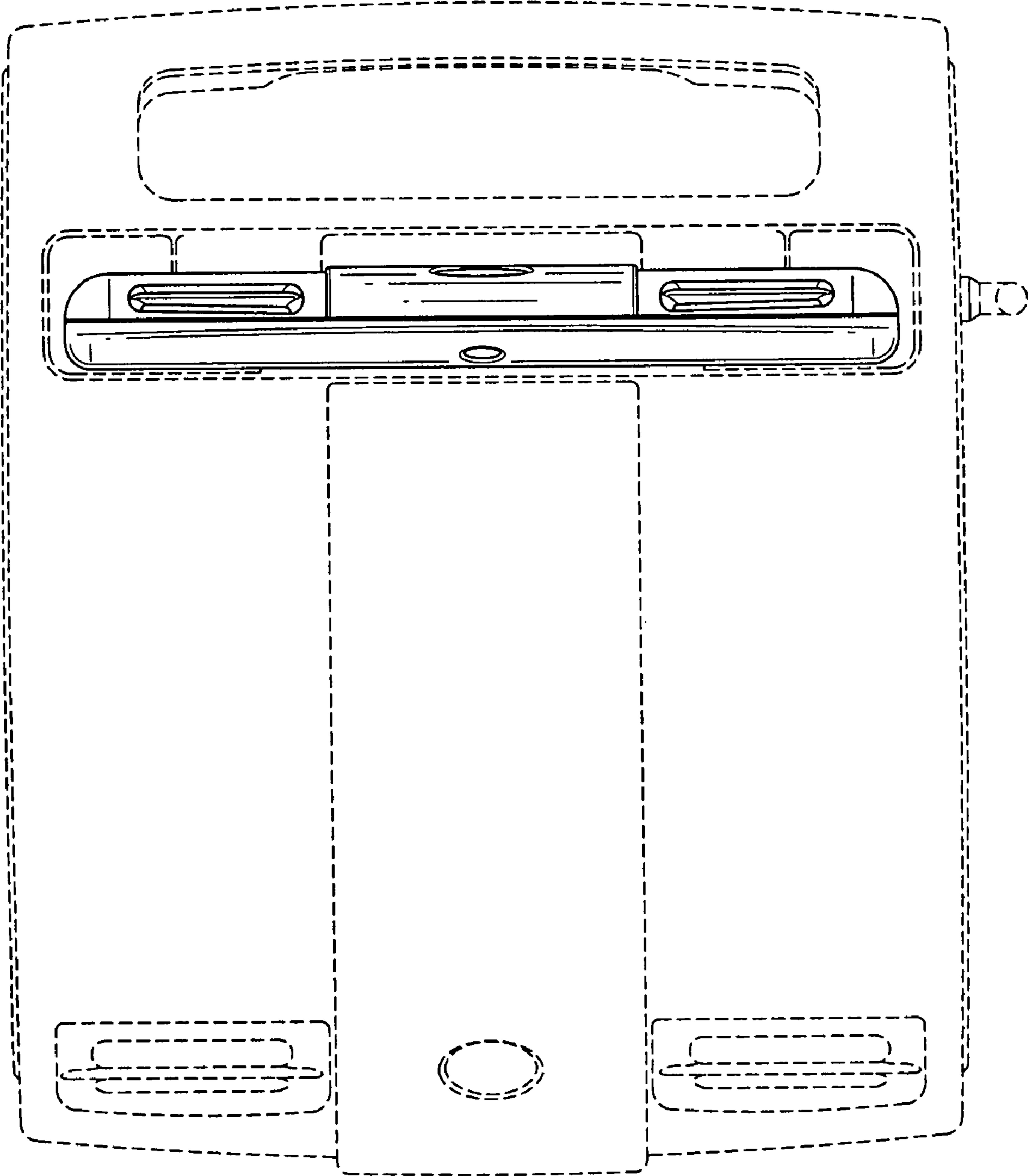


FIG. 7