



US00D561137S

(12) **United States Design Patent**
Hsiung

(10) **Patent No.:** **US D561,137 S**

(45) **Date of Patent:** **** Feb. 5, 2008**

(54) **PORTABLE DVD PLAYER**

(75) Inventor: **Chen Kuo Hsiung**, Laguna (HK)

(73) Assignee: **Silicon Pyramid Electron, Ltd.**,
Kowloon (HK)

(**) Term: **14 Years**

(21) Appl. No.: **29/247,166**

(22) Filed: **Jun. 2, 2006**

(51) **LOC (8) Cl.** **14-03**

(52) **U.S. Cl.** **D14/129**

(58) **Field of Classification Search** D14/125-134,
D14/239, 371, 136, 374-377; 312/7.2; 348/836,
348/838, 180, 184, 325, 739; 341/12; 248/917-924,
248/465; 345/104, 133, 156, 168, 87, 173;
720/605, 669, 600, 655; 369/99, 197; 455/344-347
See application file for complete search history.

(56) **References Cited**

U.S. PATENT DOCUMENTS

D319,639 S *	9/1991	Ihara	D14/129
D432,124 S *	10/2000	Pardikes et al.	D14/336
D438,849 S *	3/2001	Adachi et al.	D14/126
D458,602 S *	6/2002	Hasegawa et al.	D14/374
D481,718 S *	11/2003	Chiang et al.	D14/341
D494,174 S *	8/2004	Hsu Li	D14/374
D496,034 S *	9/2004	Guerrera et al.	D14/336
D503,160 S *	3/2005	Peng	D14/129
D504,686 S *	5/2005	Hsu Li	D14/371
D515,522 S *	2/2006	Vitito	D14/126
D518,007 S *	3/2006	Peng	D14/129
D518,010 S *	3/2006	Peng	D14/129
D525,973 S *	8/2006	Julian et al.	D14/371
D531,150 S *	10/2006	Yabe et al.	D14/129

D540,283 S *	4/2007	Tsai	D14/126
D541,769 S *	5/2007	Hoehn et al.	D14/126
D545,789 S *	7/2007	Dayan	D14/129
D547,282 S *	7/2007	Hsiung	D14/129
D547,283 S *	7/2007	Hsiung	D14/129
D547,284 S *	7/2007	Hsiung	D14/129
D548,207 S *	8/2007	Hsiung	D14/129
D550,174 S *	9/2007	Deguchi	D14/126
D551,196 S *	9/2007	Hsiung	D14/129

* cited by examiner

Primary Examiner—Raphael Barkai

(74) *Attorney, Agent, or Firm*—Much Shelist

(57) **CLAIM**

The ornamental design for a portable DVD player, as shown and described.

DESCRIPTION

FIG. 1 is a front elevational view of a portable DVD player showing my new design;

FIG. 2 is a rear elevational view thereof;

FIG. 3 is a right side elevational view thereof;

FIG. 4 is a left side elevational view thereof;

FIG. 5 is a bottom elevational view thereof;

FIG. 6 is a top elevational view thereof;

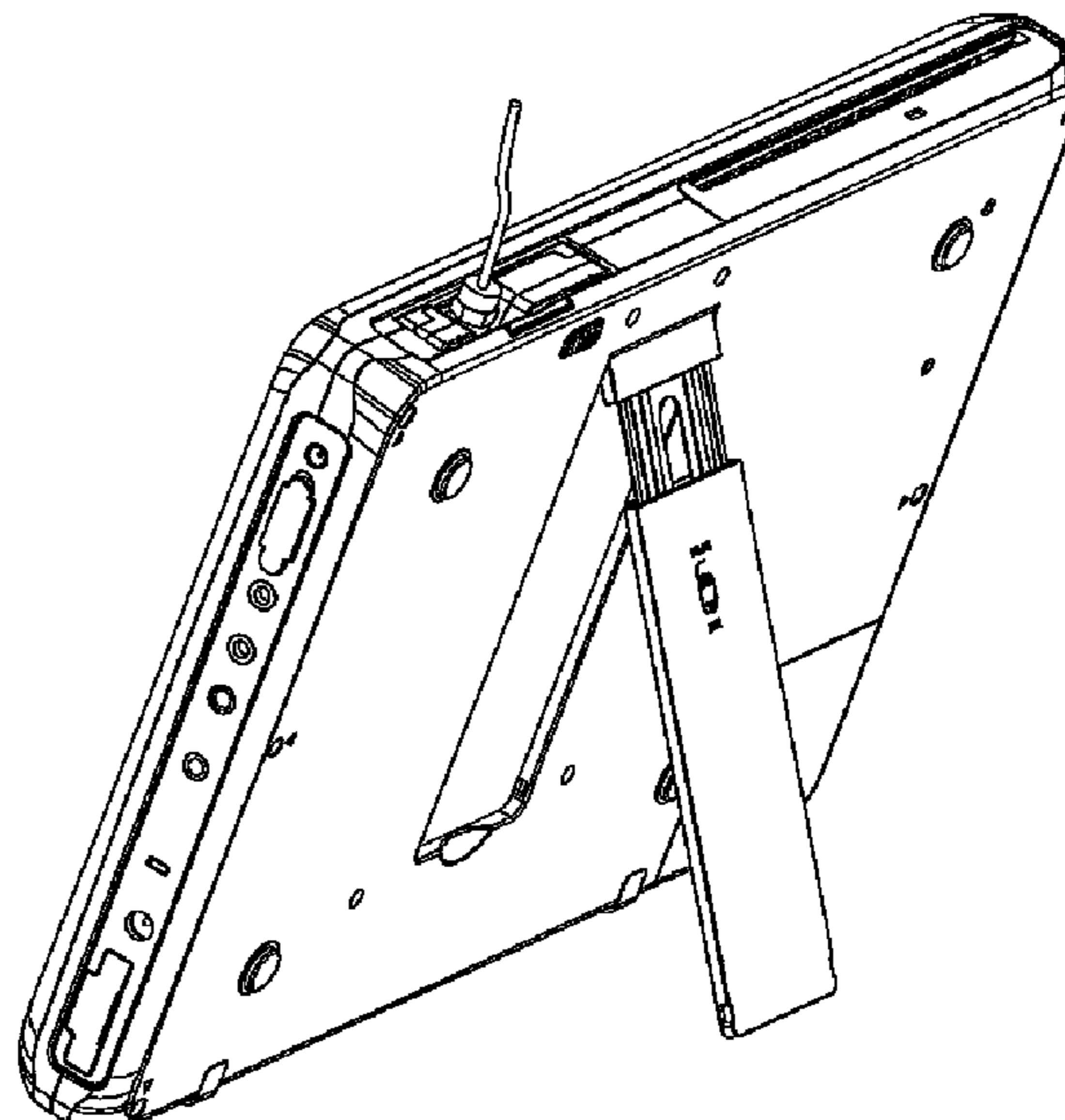
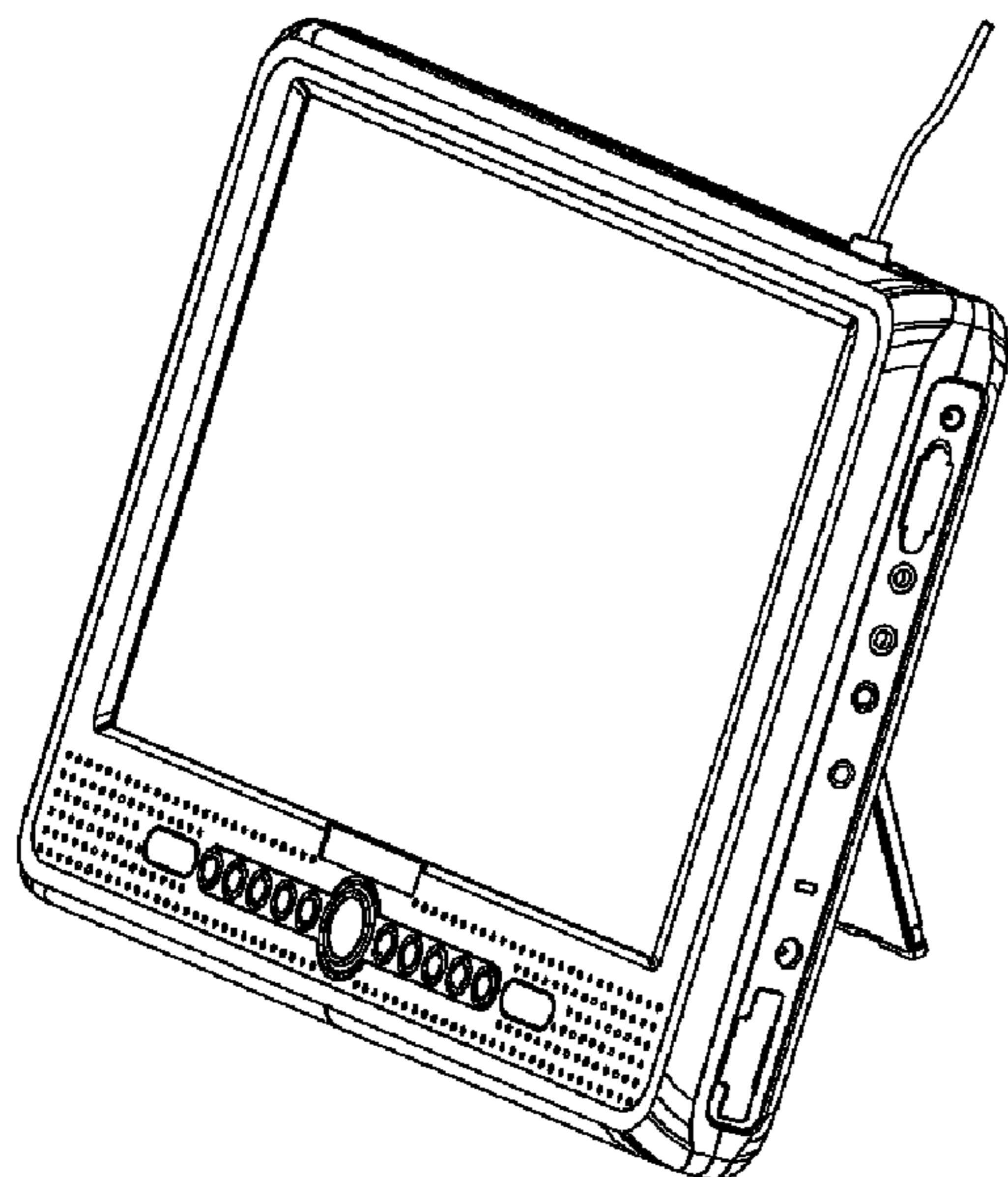
FIG. 7 is a front perspective view thereof;

FIG. 8 is a rear perspective view thereof;

FIG. 9 is a front perspective view thereof in an alternate position of use; and,

FIG. 10 is rear perspective view thereof in the alternate position of use shown in FIG. 9.

1 Claim, 4 Drawing Sheets



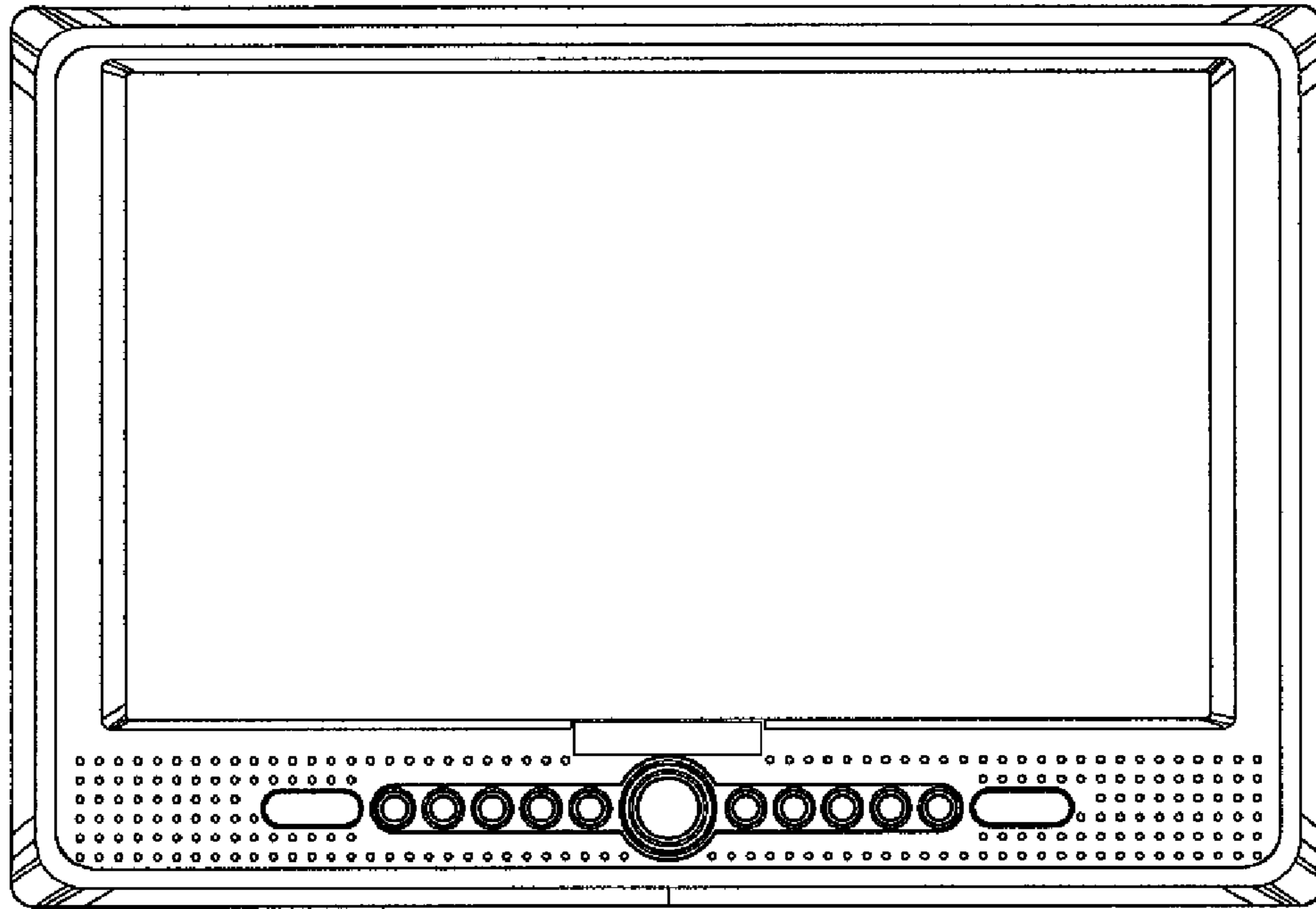


FIGURE 1

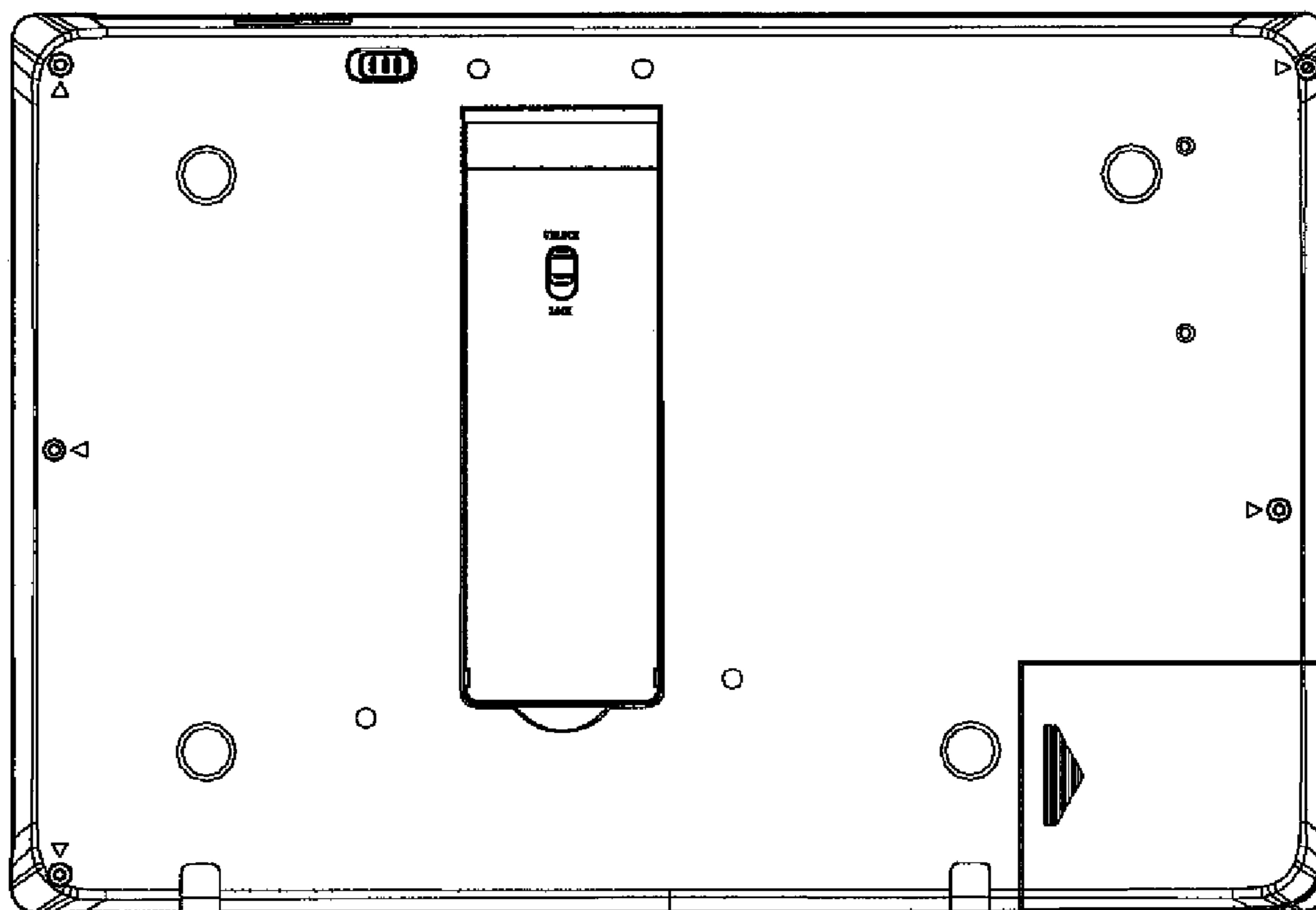


FIGURE 2

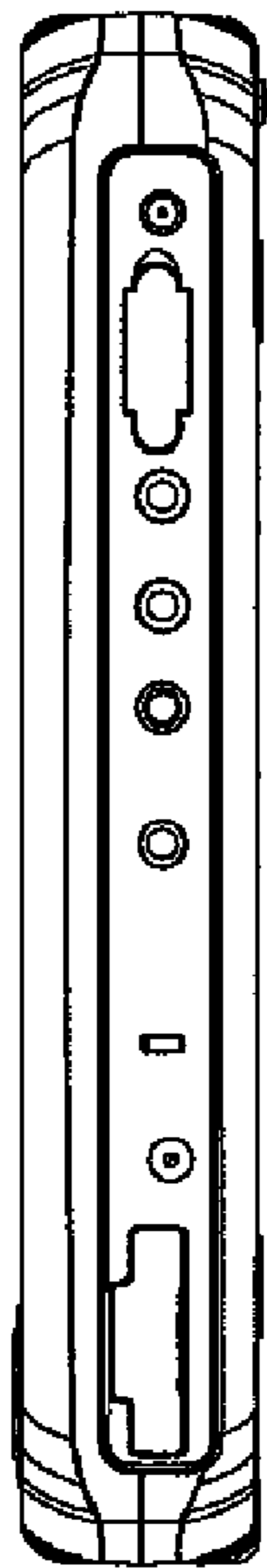


FIGURE 3

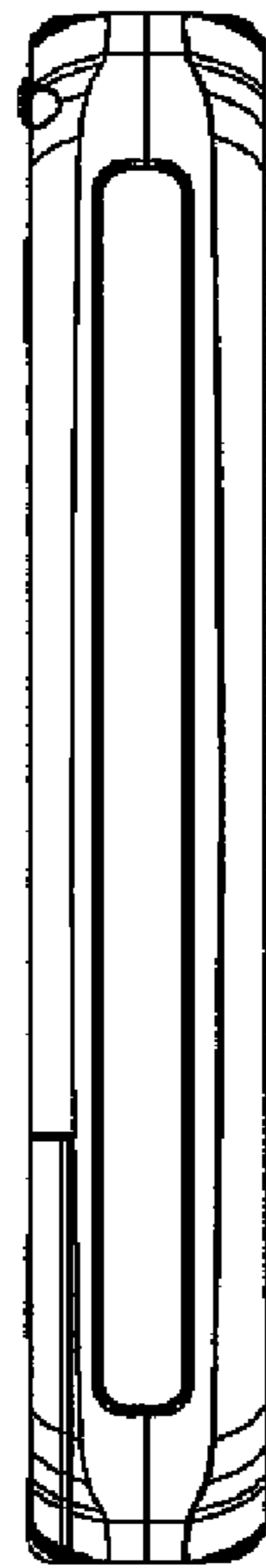


FIGURE 4

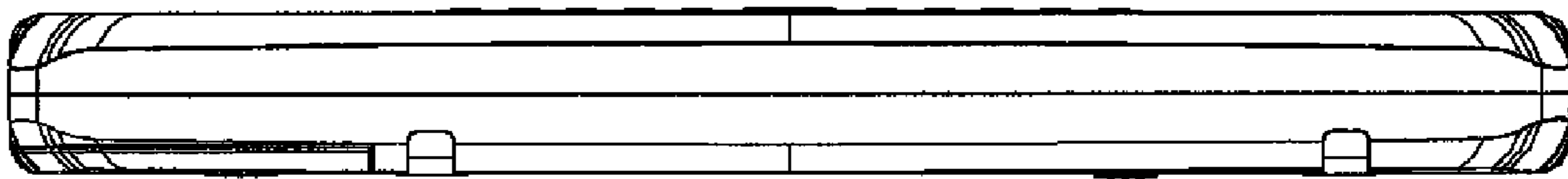


FIGURE 5



FIGURE 6

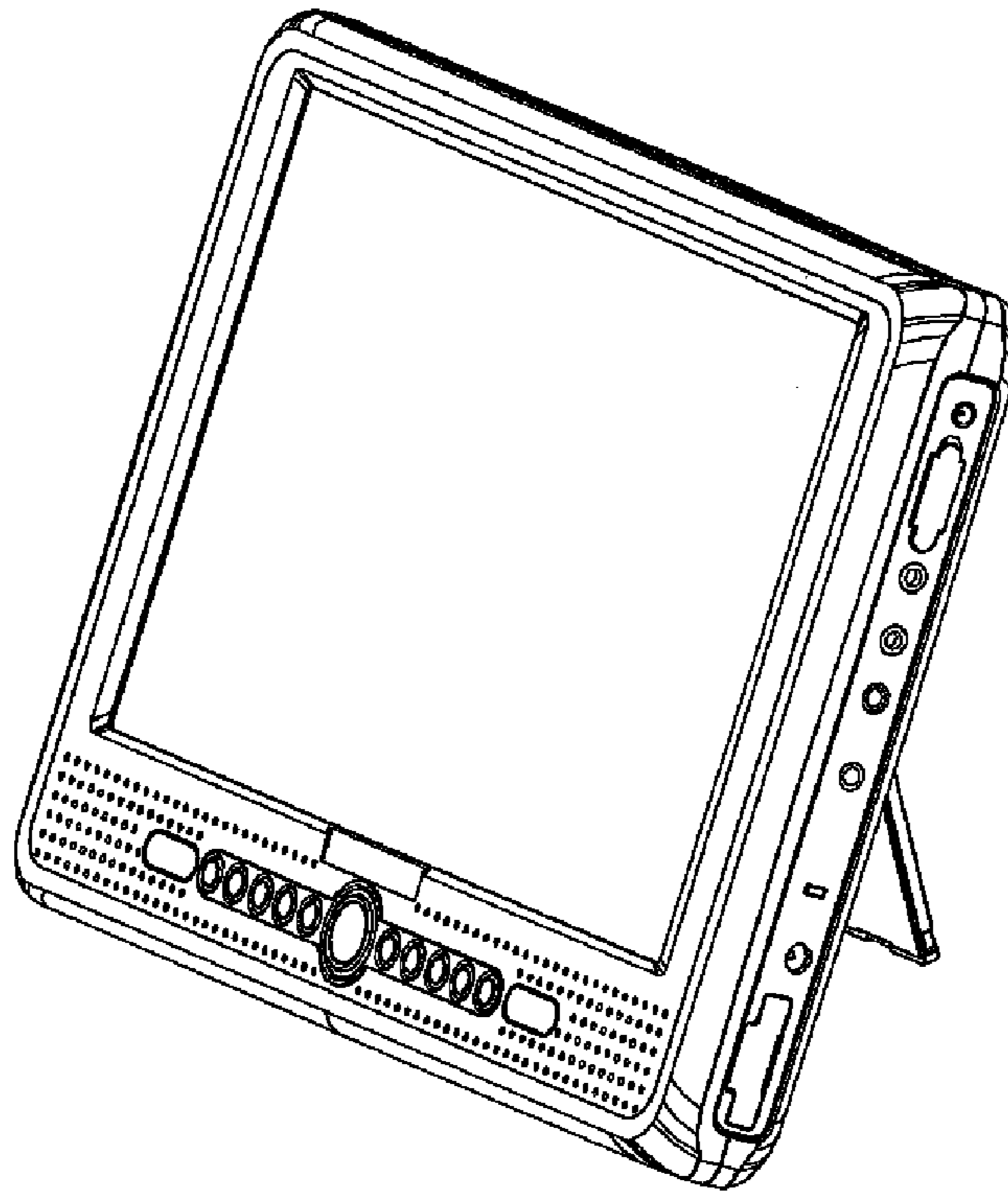


FIGURE 7

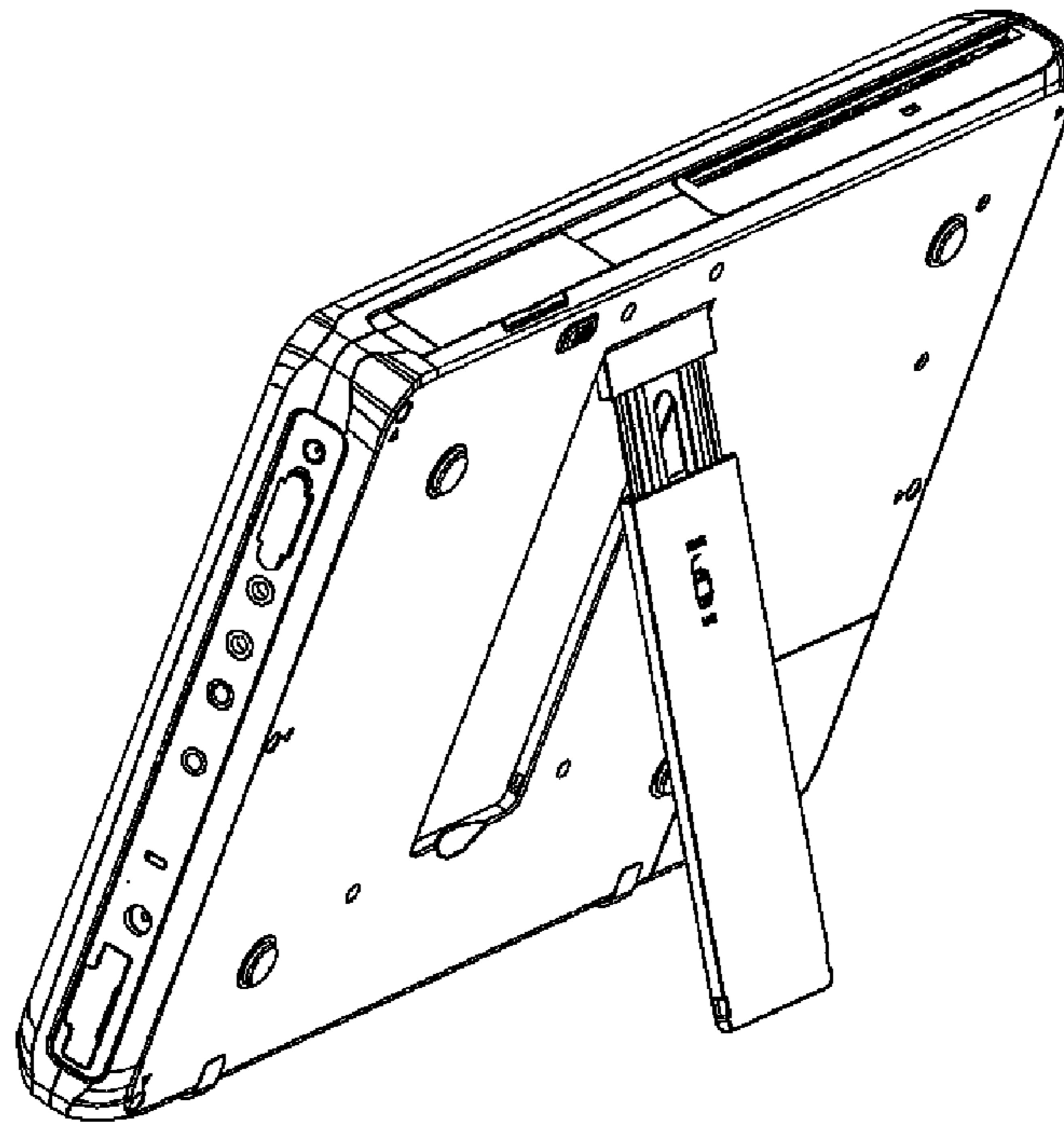


FIGURE 8

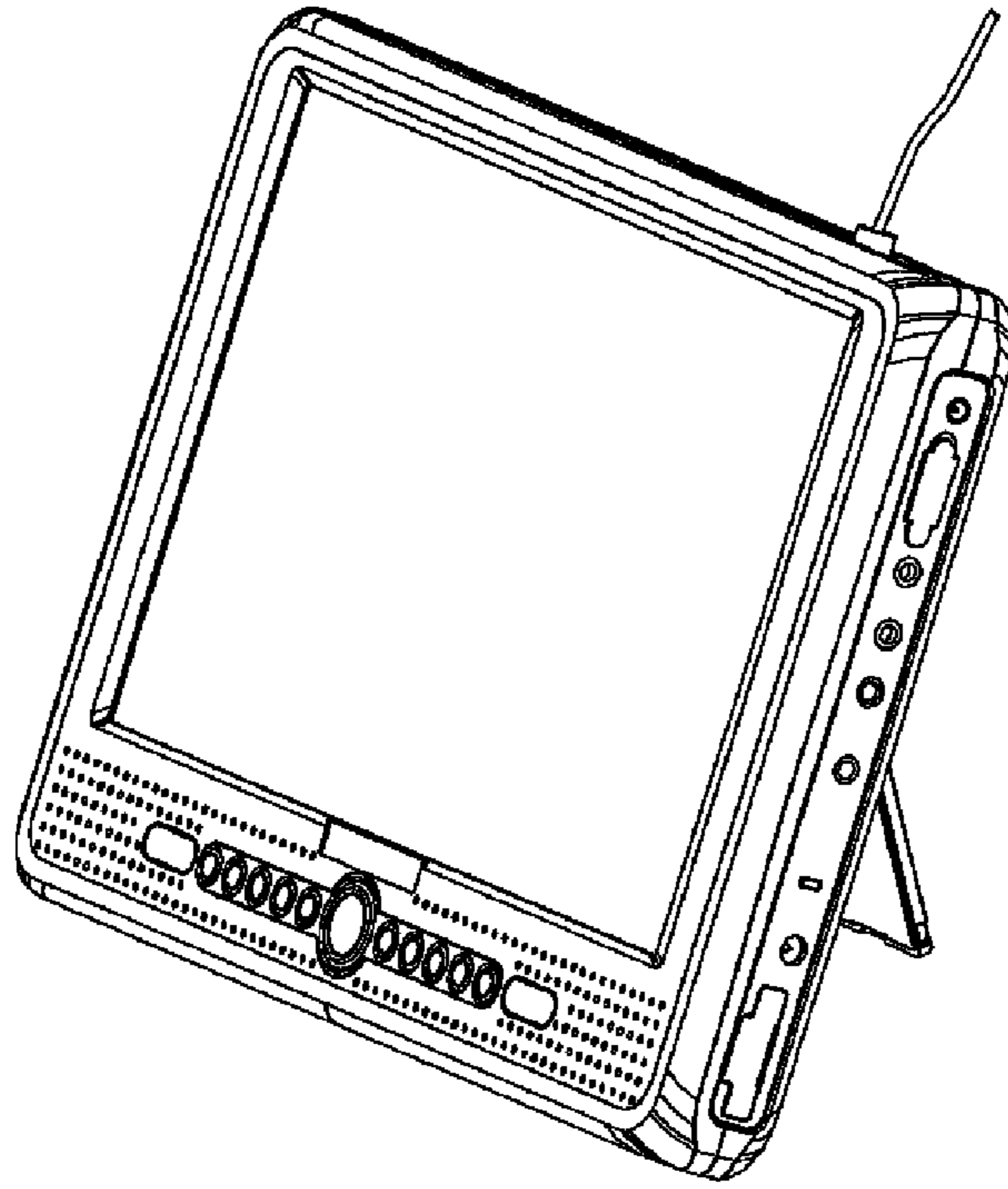


FIGURE 9

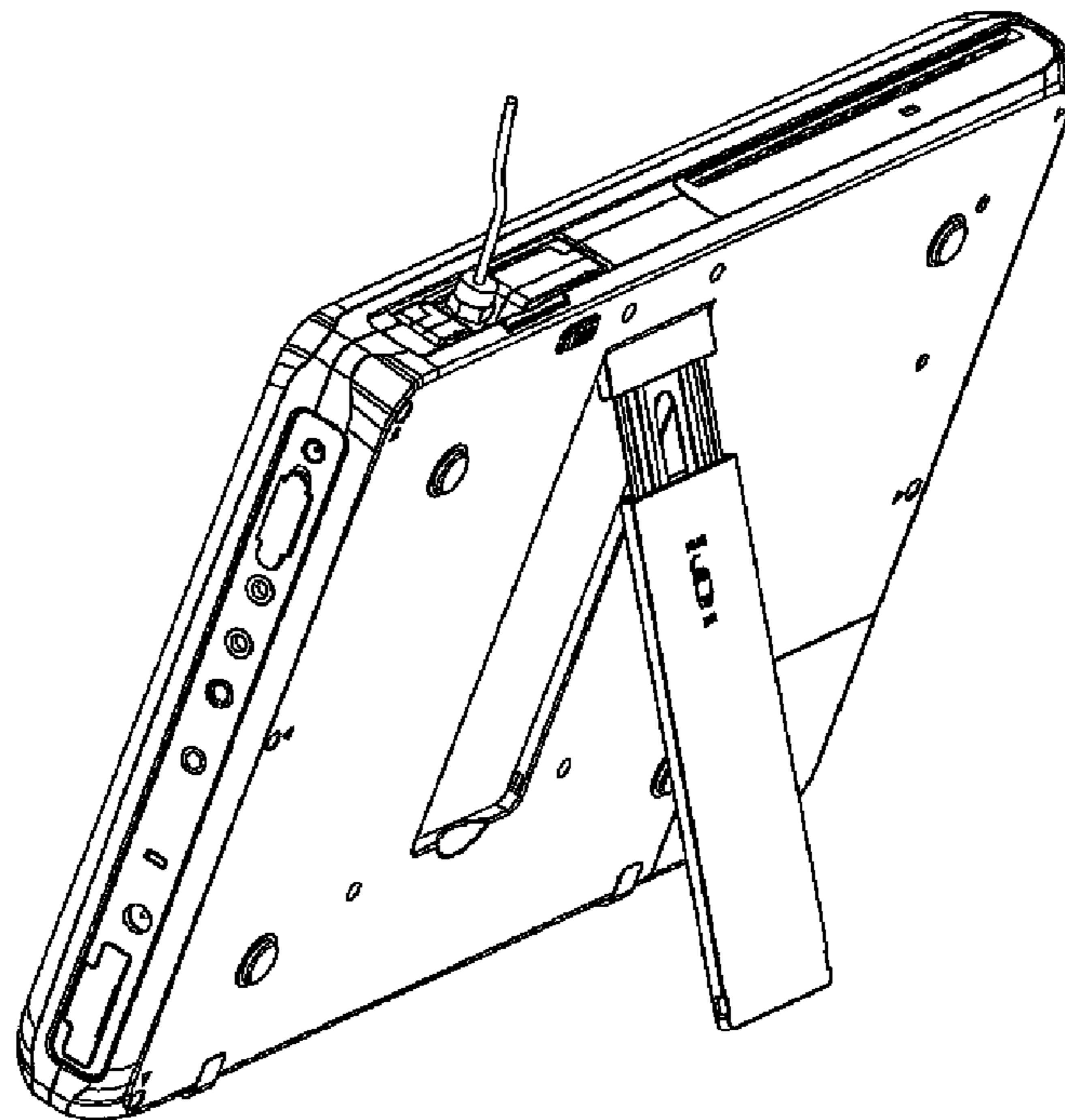


FIGURE 10