

US00D561134S

(12) **United States Design Patent**
Kim et al.

(10) **Patent No.:** **US D561,134 S**

(45) **Date of Patent:** **** Feb. 5, 2008**

(54) **TELEVISION RECEIVER**

D551,194 S * 9/2007 Kim et al. D14/128

(75) Inventors: **Kyoung-Hoon Kim**, Seoul (KR);
Young-Sun Shin, Seoul (KR);
Jae-Beom Park, Seoul (KR)

(73) Assignee: **Samsung Electronics Co., Ltd.**,
Kyunggi-do (KR)

(**) Term: **14 Years**

(21) Appl. No.: **29/271,974**

(22) Filed: **Jan. 30, 2007**

(51) **LOC (8) Cl.** **14-03**

(52) **U.S. Cl.** **D14/128**

(58) **Field of Classification Search** D14/125-134,
D14/239, 371, 136, 374-377; 312/7.2; 348/836,
348/838, 180, 184, 325, 739; 341/12; 248/917-924,
248/465; 345/104, 133, 156, 168, 87, 173;
720/605, 669, 600, 655; 369/99, 197; 455/344-347
See application file for complete search history.

(56) **References Cited**

U.S. PATENT DOCUMENTS

D337,580 S	7/1993	Koo	
D339,334 S	9/1993	Koo	
D352,940 S *	11/1994	Kazama	D14/126
D354,282 S	1/1995	Koo et al.	
D425,502 S *	5/2000	Renk et al.	D14/126
D511,754 S *	11/2005	Hirano	D14/128
D539,246 S *	3/2007	Fujiki	D14/128
D545,788 S *	7/2007	Park et al.	D14/128

OTHER PUBLICATIONS

U.S. Appl. No. 29/228,541, Applicant: Young-Sun Shin, et al., filed Apr. 25, 2005 entitled TELEVISION.

U.S. Appl. No. 29/264,718, Applicant: Young-Sun Shin, et al., filed Aug. 16, 2006 entitled Television Receiver.

U.S. Appl. No. 29/271,981, Applicant: Kyoung-Hoon Kim, et al., filed Jan. 30, 2007 entitled Television Receiver.

* cited by examiner

Primary Examiner—Raphael Barkai

(74) *Attorney, Agent, or Firm*—Flynn, Thiel, Boutell & Tanis, P.C.

(57) **CLAIM**

The ornamental design for a a television receiver, as shown and described.

DESCRIPTION

FIG. 1 is a top front perspective view of a a television receiver showing our new design;

FIG. 2 is a front elevational view thereof;

FIG. 3 is a rear elevational view thereof;

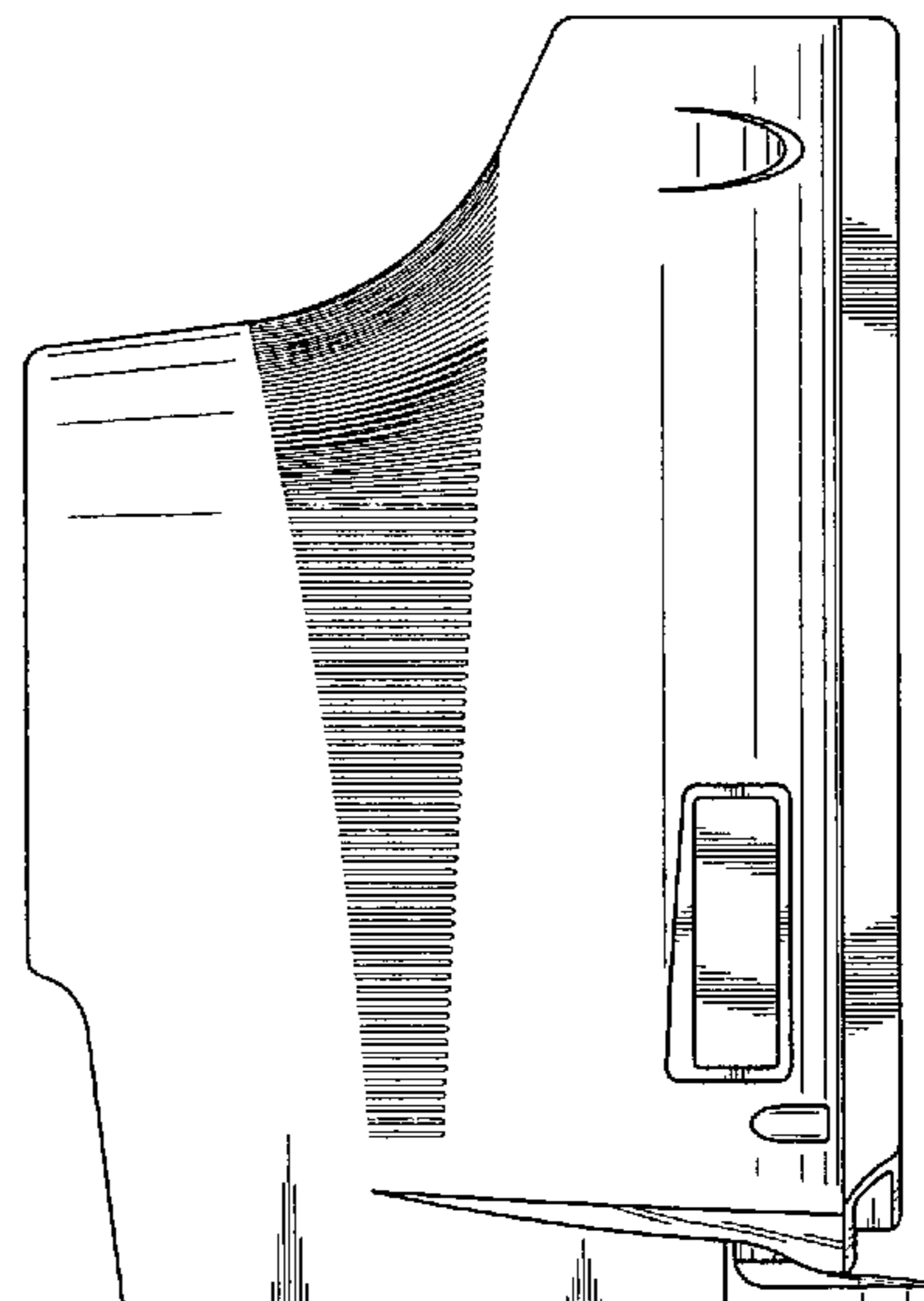
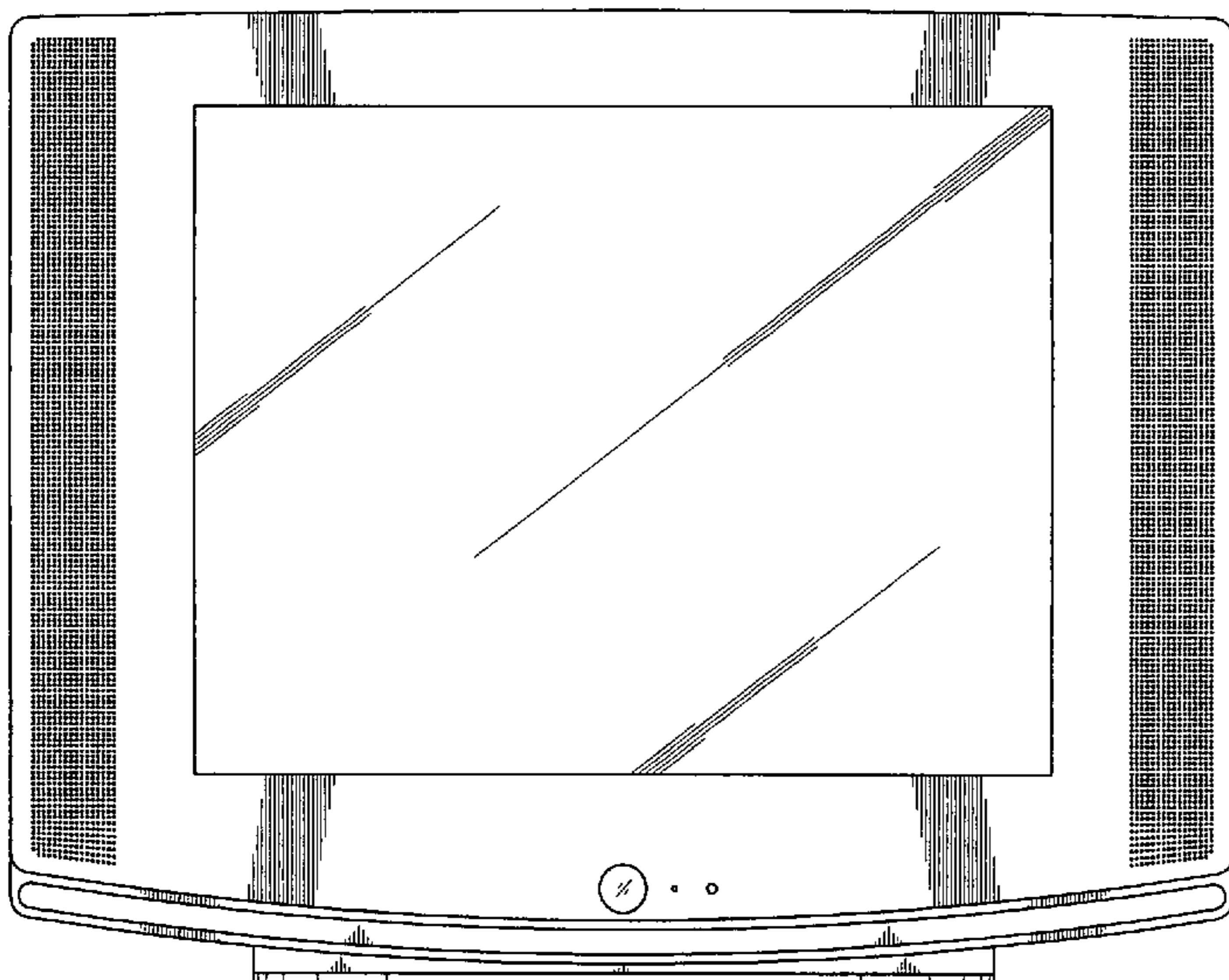
FIG. 4 is a left side elevational view thereof;

FIG. 5 is a right side elevational view thereof;

FIG. 6 is a top plan view thereof; and,

FIG. 7 is a bottom plan view thereof.

1 Claim, 4 Drawing Sheets



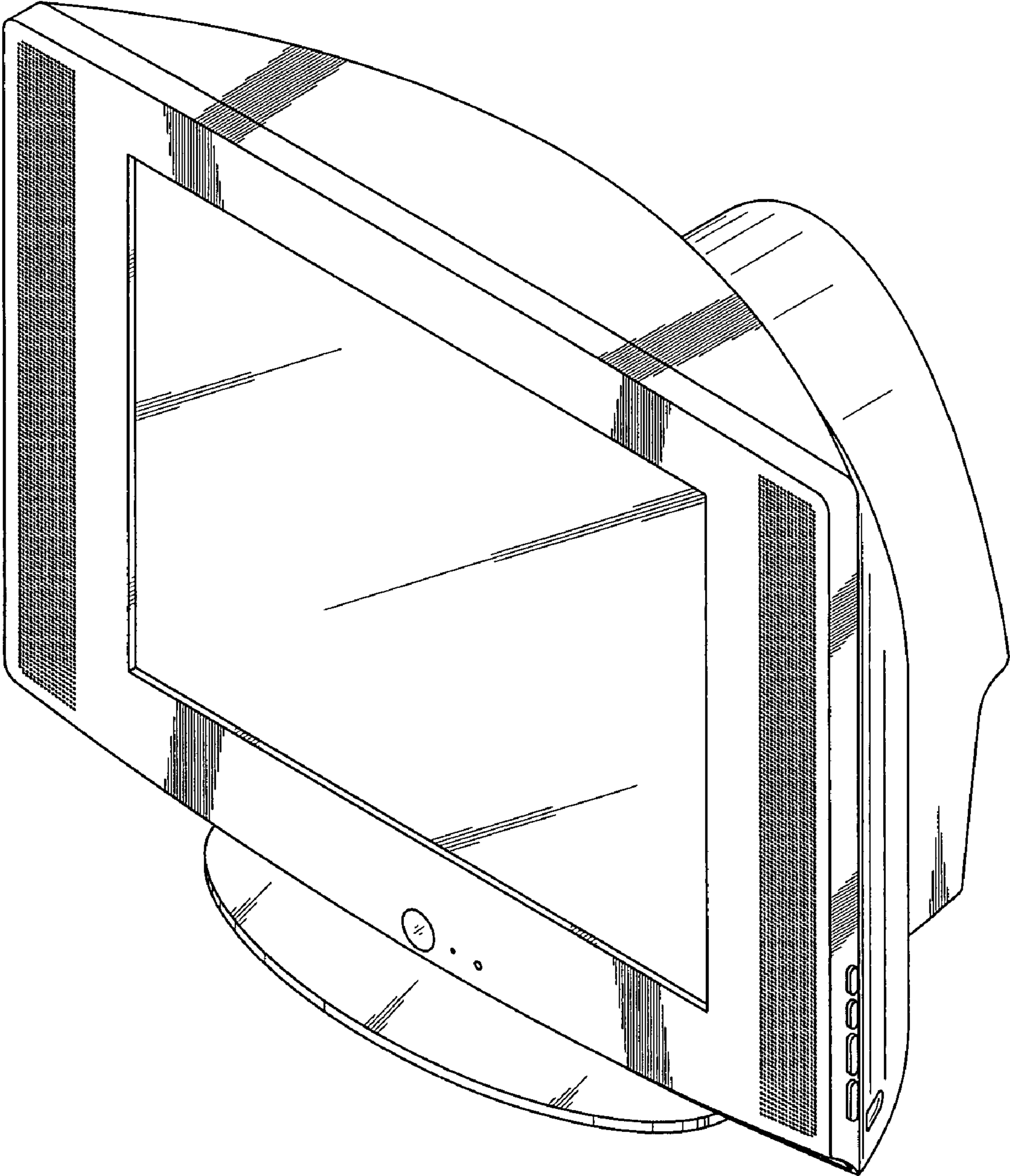


FIG. 1

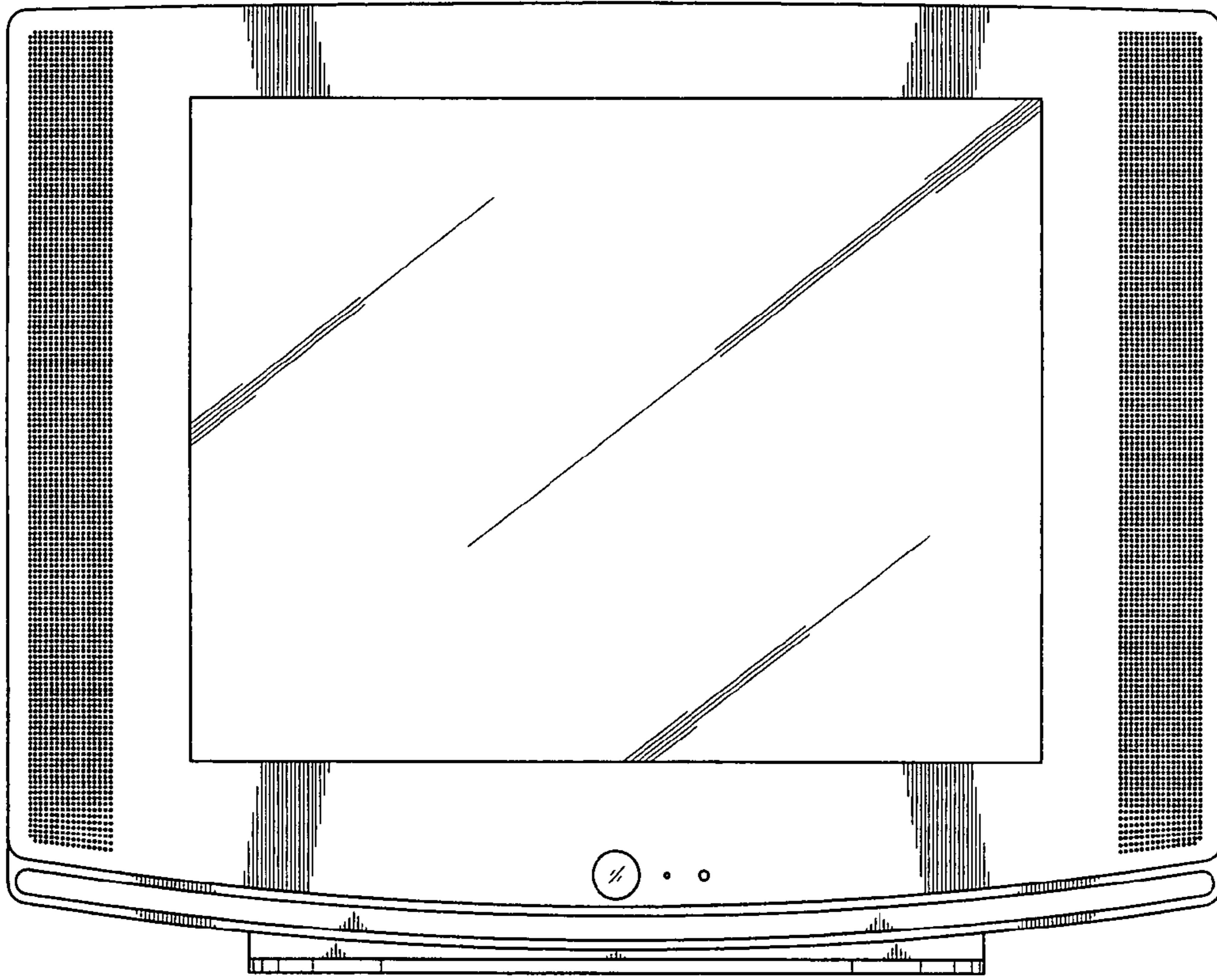


FIG. 2

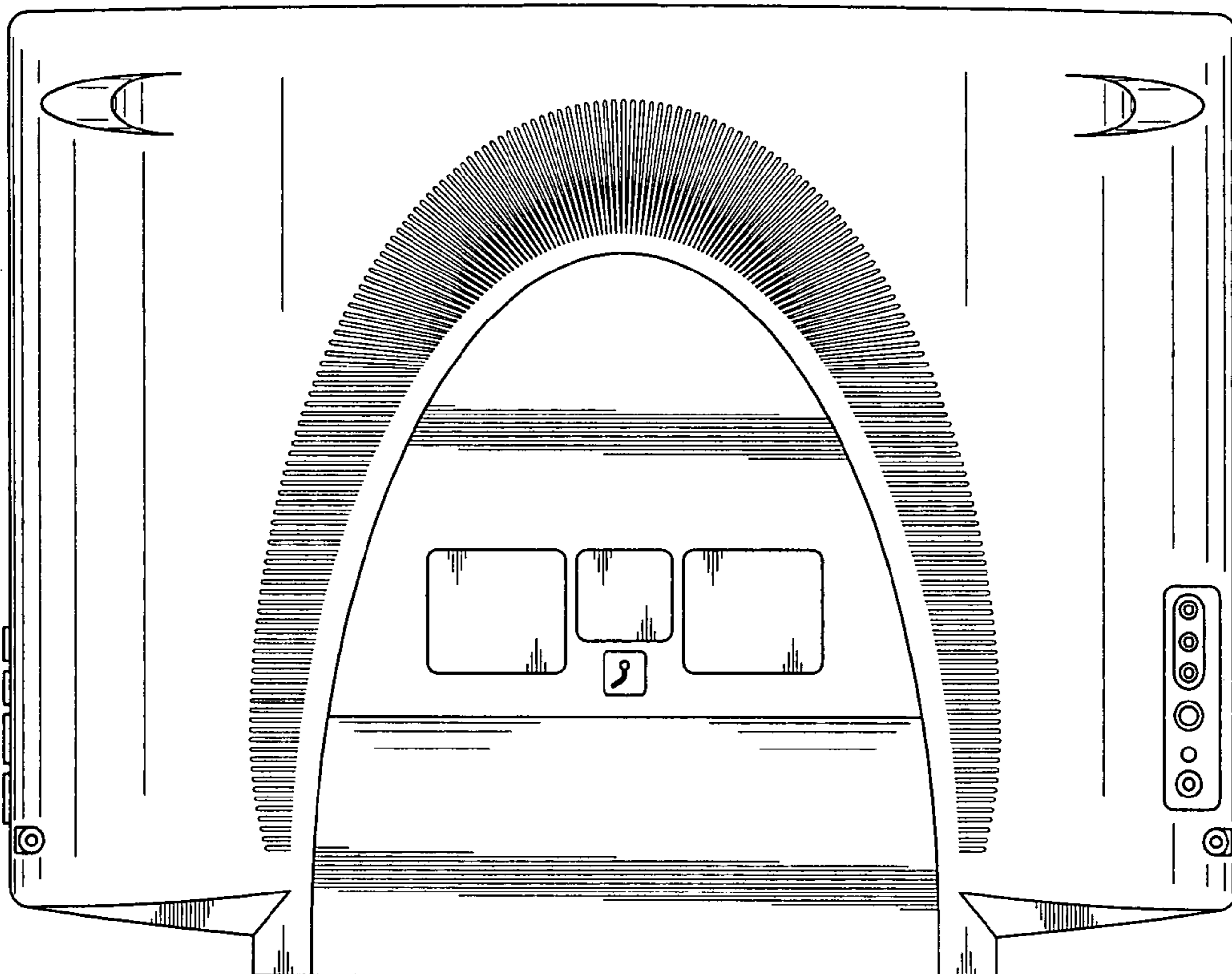


FIG. 3

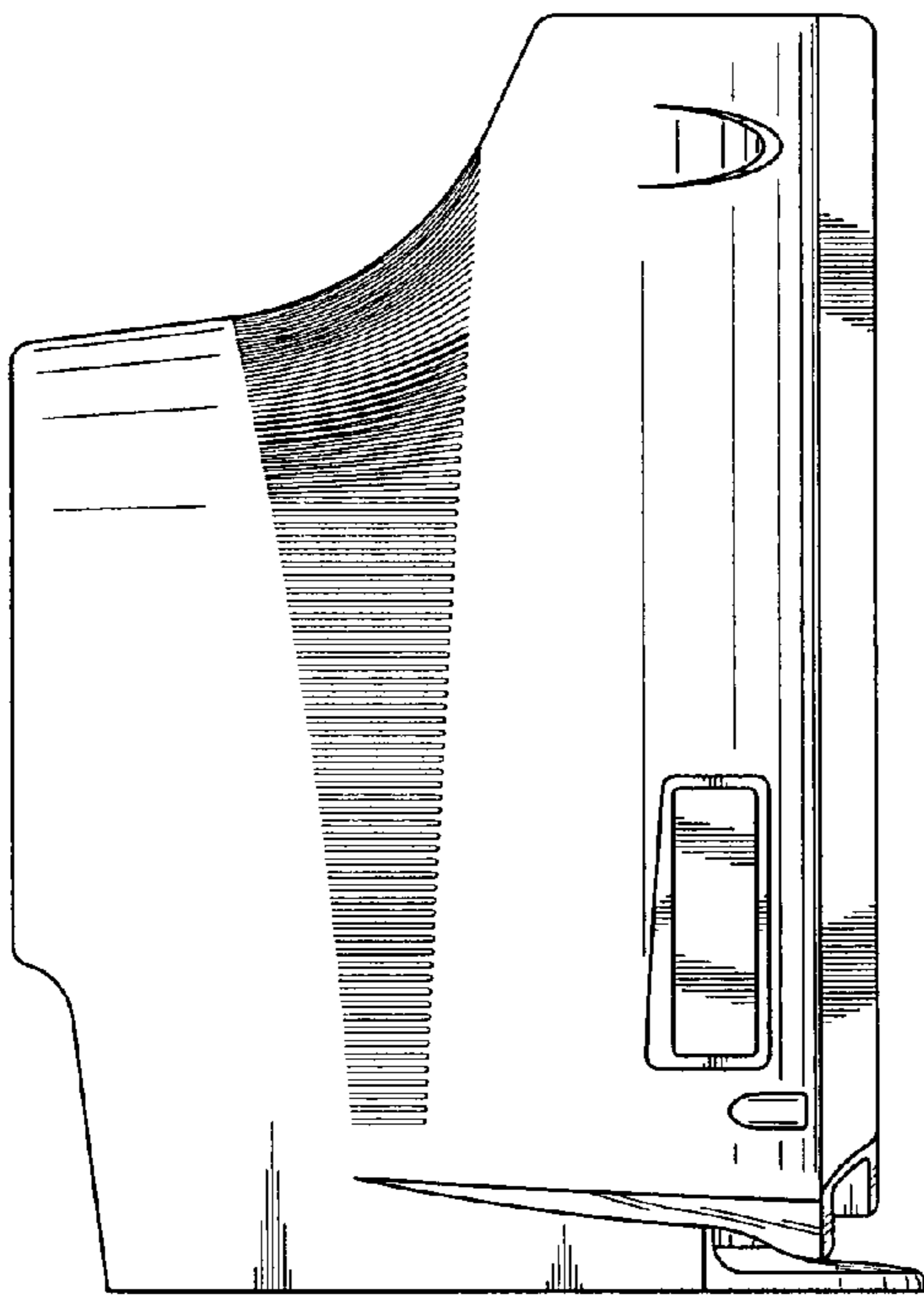


FIG. 4

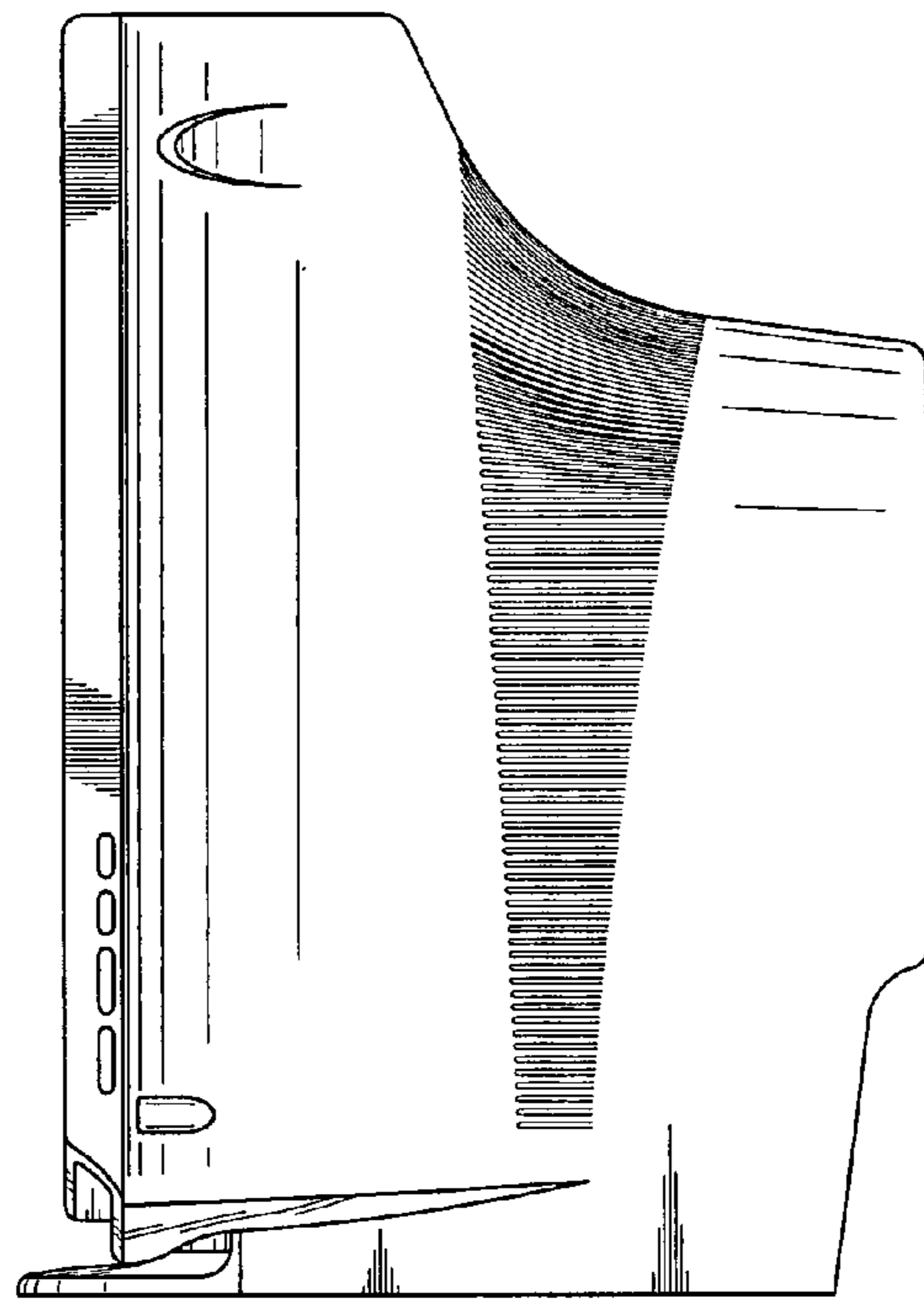


FIG. 5

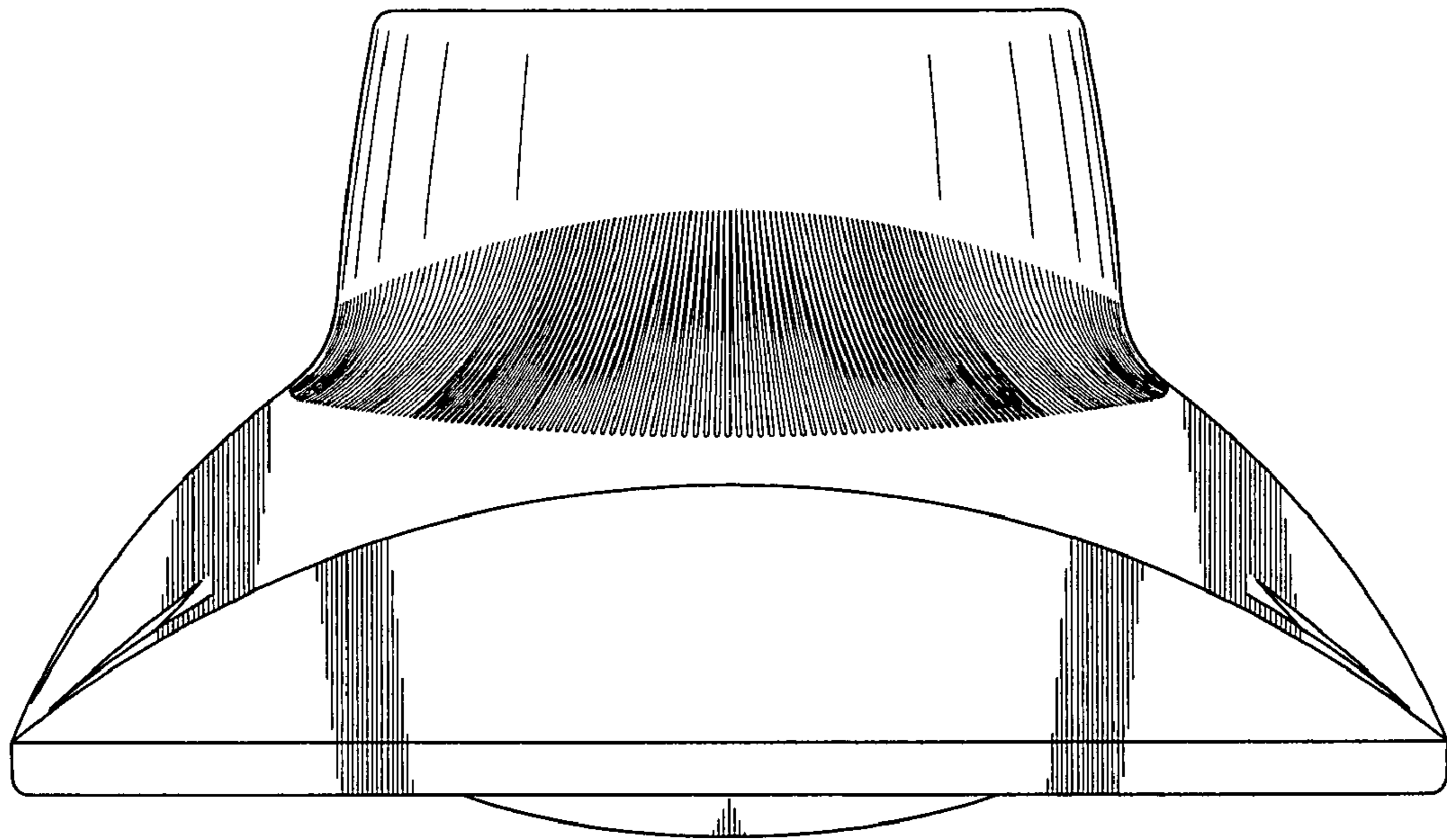


FIG. 6

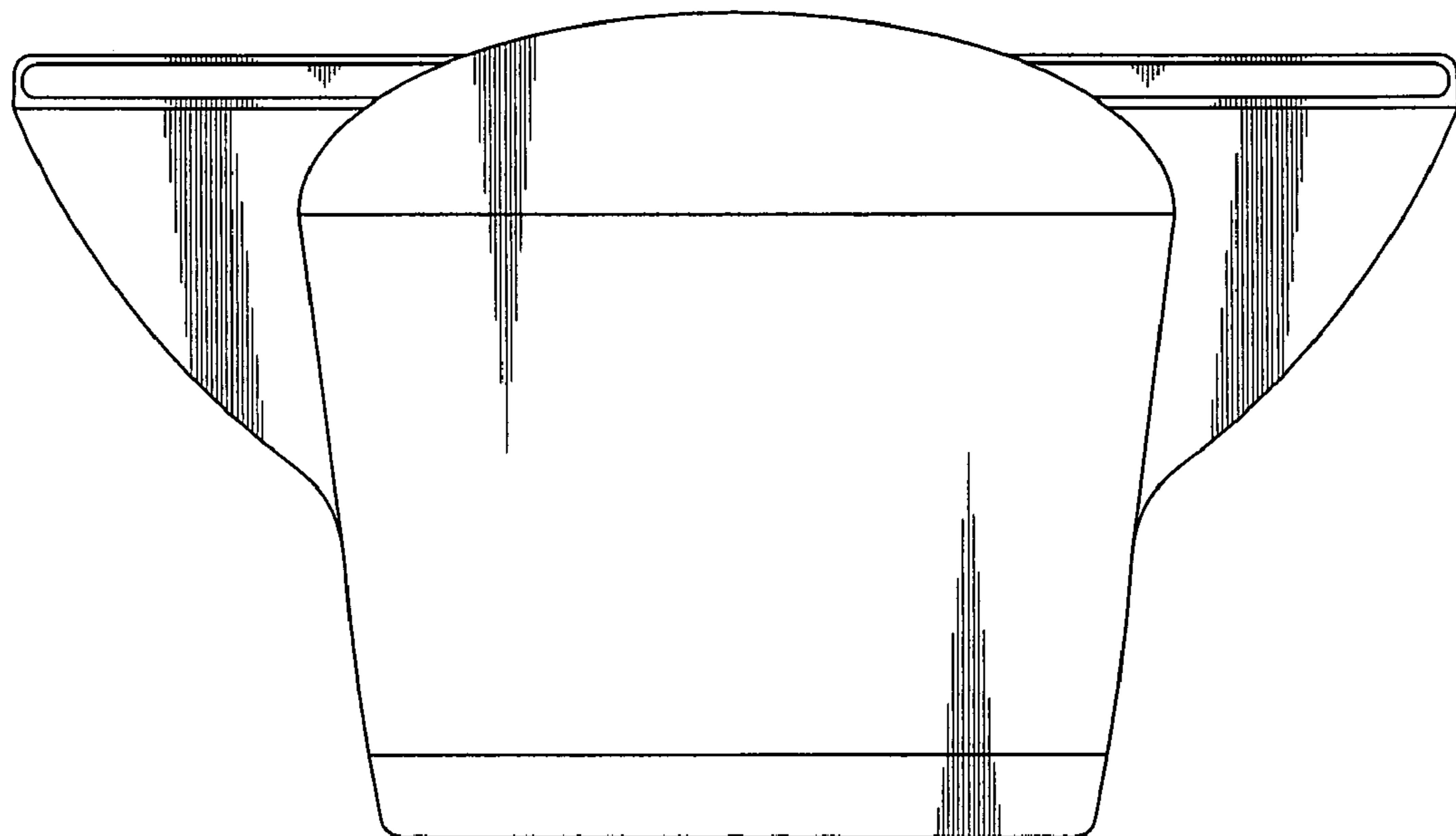


FIG. 7