



US00D561133S

(12) **United States Design Patent**
Senda et al.

(10) **Patent No.:** **US D561,133 S**
(45) **Date of Patent:** **** Feb. 5, 2008**

(54) **REAR PROJECTION TELEVISION**

(75) Inventors: **Tamotsu Senda**, Kadoma (JP); **Masaki Takemoto**, Kadoma (JP)

(73) Assignee: **Matsushita Electric Industrial Co., Ltd.**, Osaka (JP)

(**) Term: **14 Years**

(21) Appl. No.: **29/271,124**

(22) Filed: **Jan. 10, 2007**

(30) **Foreign Application Priority Data**

Jul. 10, 2006 (JP) 2006-018141

(51) **LOC (8) Cl.** **14-03**

(52) **U.S. Cl.** **D14/128**

(58) **Field of Classification Search** D14/125-134, D14/239, 371, 136, 374-377; 312/7.2; 348/836, 348/838, 180, 184, 325, 739; 341/12; 248/917-924, 248/465; 345/104, 133, 156, 168, 87, 173; 720/605, 669, 600, 655; 369/99, 197; 455/344-347
See application file for complete search history.

(56) **References Cited**

U.S. PATENT DOCUMENTS

- D445,768 S 7/2001 Goto et al.
- D445,769 S 7/2001 Takemoto et al.
- D454,846 S 3/2002 Goto
- D467,233 S 12/2002 Takemoto et al.
- D473,853 S 4/2003 Inoue et al.
- D482,668 S 11/2003 Tanigawa et al.
- D485,538 S 1/2004 Goto et al.
- D485,539 S 1/2004 Goto et al.
- D486,804 S 2/2004 Takami et al.
- D487,731 S 3/2004 Takami et al.
- D488,139 S 4/2004 Takami et al.
- D488,141 S 4/2004 Takami et al.
- D488,450 S 4/2004 Ohba et al.
- D488,784 S 4/2004 Takami et al.

- D488,785 S 4/2004 Ohba et al.
- D492,673 S 7/2004 Asawa et al.
- D496,009 S 9/2004 Takahashi et al.
- D496,012 S 9/2004 Goto
- D496,341 S 9/2004 Nakata et al.
- D498,216 S 11/2004 Takami et al.

(Continued)

FOREIGN PATENT DOCUMENTS

- JP D 746704 10/1988
- JP D 746681/1 3/1989
- JP D 839301 6/1992
- JP D 839309 6/1992
- JP D 839311 6/1992
- JP D 905866 9/1994
- JP D 905882 9/1994

(Continued)

Primary Examiner—Raphael Barkai
(74) *Attorney, Agent, or Firm*—Brinks Hofer Gilson & Lione

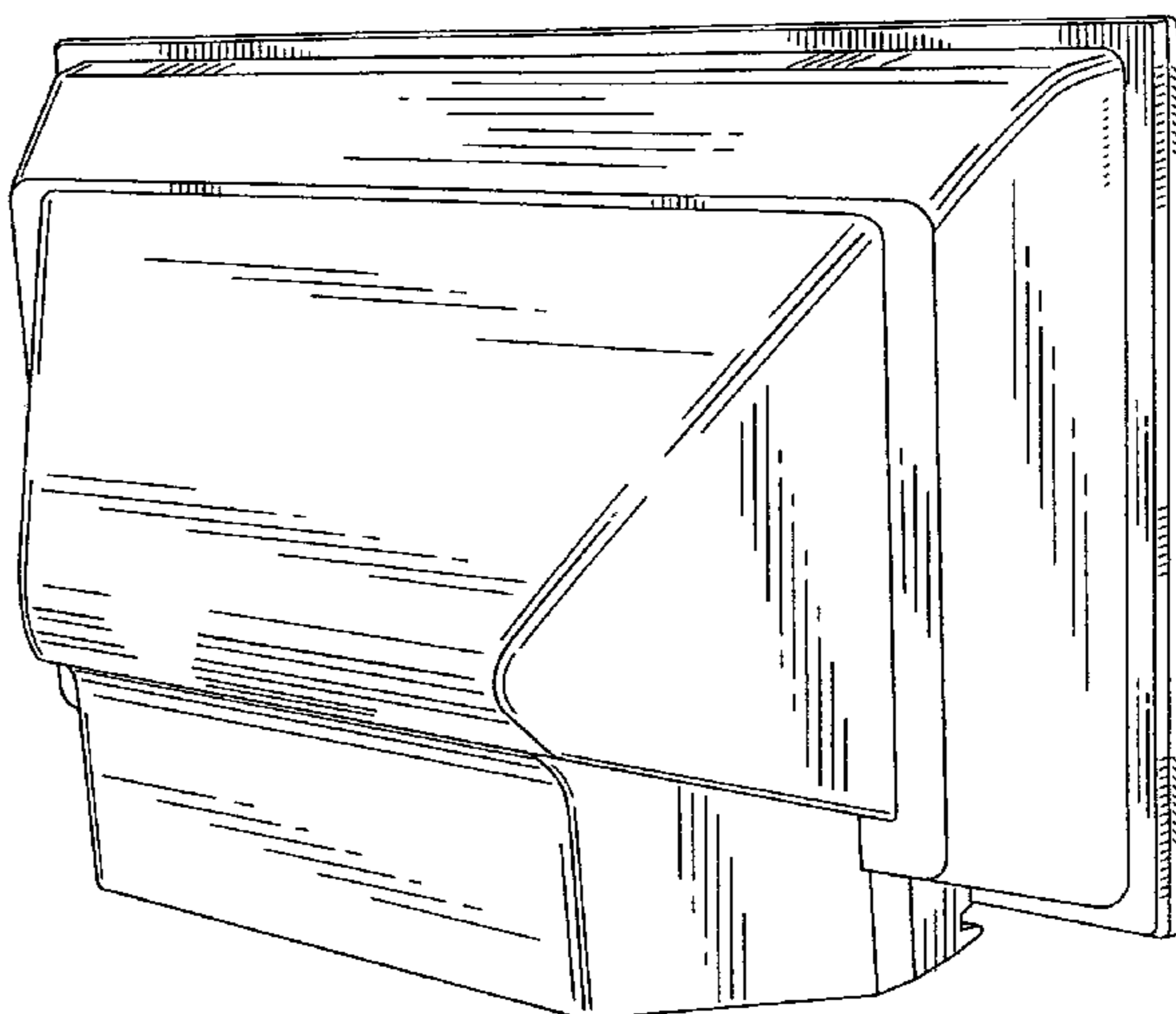
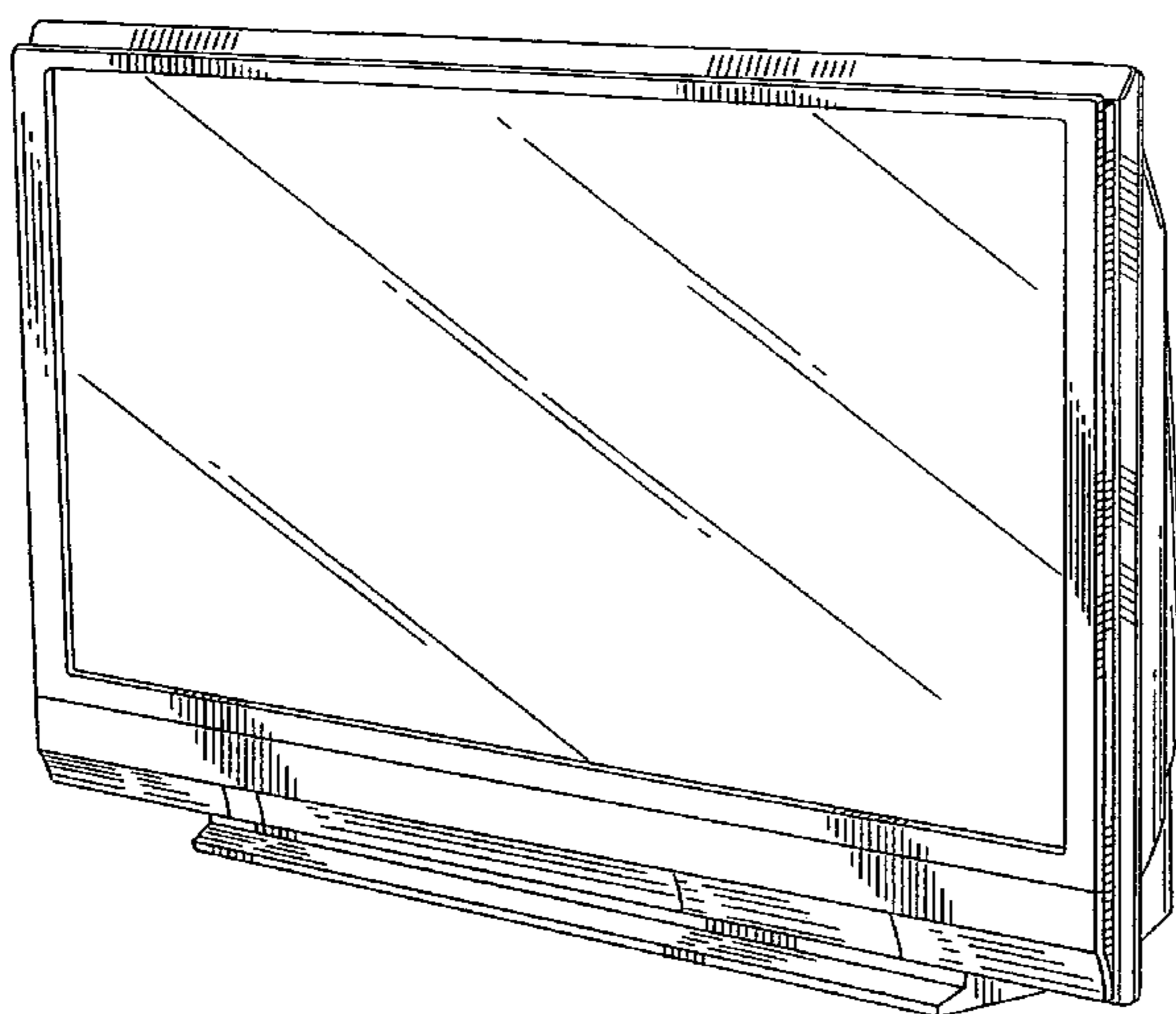
(57) **CLAIM**

The ornamental design for a rear projection television, as shown and described.

DESCRIPTION

FIG. 1 is a front perspective view of a rear projection television of the present invention;
FIG. 2 is a front view thereof;
FIG. 3 is a top view thereof;
FIG. 4 is a first side view thereof;
FIG. 5 is a second side view thereof;
FIG. 6 is a bottom view thereof;
FIG. 7 is a rear view thereof; and,
FIG. 8 is a rear perspective view thereof.

1 Claim, 6 Drawing Sheets



US D561,133 S

Page 2

| U.S. PATENT DOCUMENTS | | | JP | D 1073097 | 6/2000 |
|--------------------------|------------|-------------------------------|----|-----------|---------|
| D503,157 S | 3/2005 | Fujii et al. | JP | D 1094401 | 12/2000 |
| D505,926 S | 6/2005 | Inoue et al. | JP | D 1117359 | 8/2001 |
| D508,470 S | 8/2005 | Inoue et al. | JP | D 1145711 | 7/2002 |
| D509,197 S | 9/2005 | Asawa et al. | JP | D 1146359 | 7/2002 |
| D510,732 S | 10/2005 | Maeda et al. | JP | D 1161750 | 12/2002 |
| D510,917 S | 10/2005 | Negishi et al. | JP | D 1161751 | 12/2002 |
| D512,388 S * | 12/2005 | Hayakawa D14/128 | JP | D 1173352 | 5/2003 |
| D512,390 S | 12/2005 | Maeda et al. | JP | D 1173353 | 5/2003 |
| D514,535 S | 2/2006 | Villalobos et al. | JP | D 1173354 | 5/2003 |
| D514,536 S | 2/2006 | Villalobos et al. | JP | D 1173850 | 5/2003 |
| D514,537 S | 2/2006 | Villalobos et al. | JP | D 1180152 | 7/2003 |
| D515,048 S | 2/2006 | Villalobos et al. | JP | D 1180322 | 7/2003 |
| D515,523 S | 2/2006 | Asanuma et al. | JP | D 1180323 | 7/2003 |
| D541,243 S * | 4/2007 | Kuramashi et al. D14/128 | JP | D 1186726 | 10/2003 |
| D541,776 S * | 5/2007 | Senda et al. D14/128 | JP | D 1186740 | 10/2003 |
| D543,166 S * | 5/2007 | Kuramashi et al. D14/133 | JP | D 1187157 | 10/2003 |
| FOREIGN PATENT DOCUMENTS | | | JP | D 1200874 | 4/2004 |
| JP | D 905882/1 | 9/1994 | JP | D 1200875 | 4/2004 |
| JP | D 916953 | 1/1995 | JP | D 1201573 | 4/2004 |
| JP | D 926656 | 6/1995 | JP | D 1201574 | 4/2004 |
| JP | D 868189/1 | 5/1997 | JP | D 1221060 | 10/2004 |
| JP | D 868189/2 | 5/1997 | JP | D 1261912 | 2/2006 |
| JP | D 1072775 | 6/2000 | JP | D 1262253 | 2/2006 |

* cited by examiner

FIG. 1

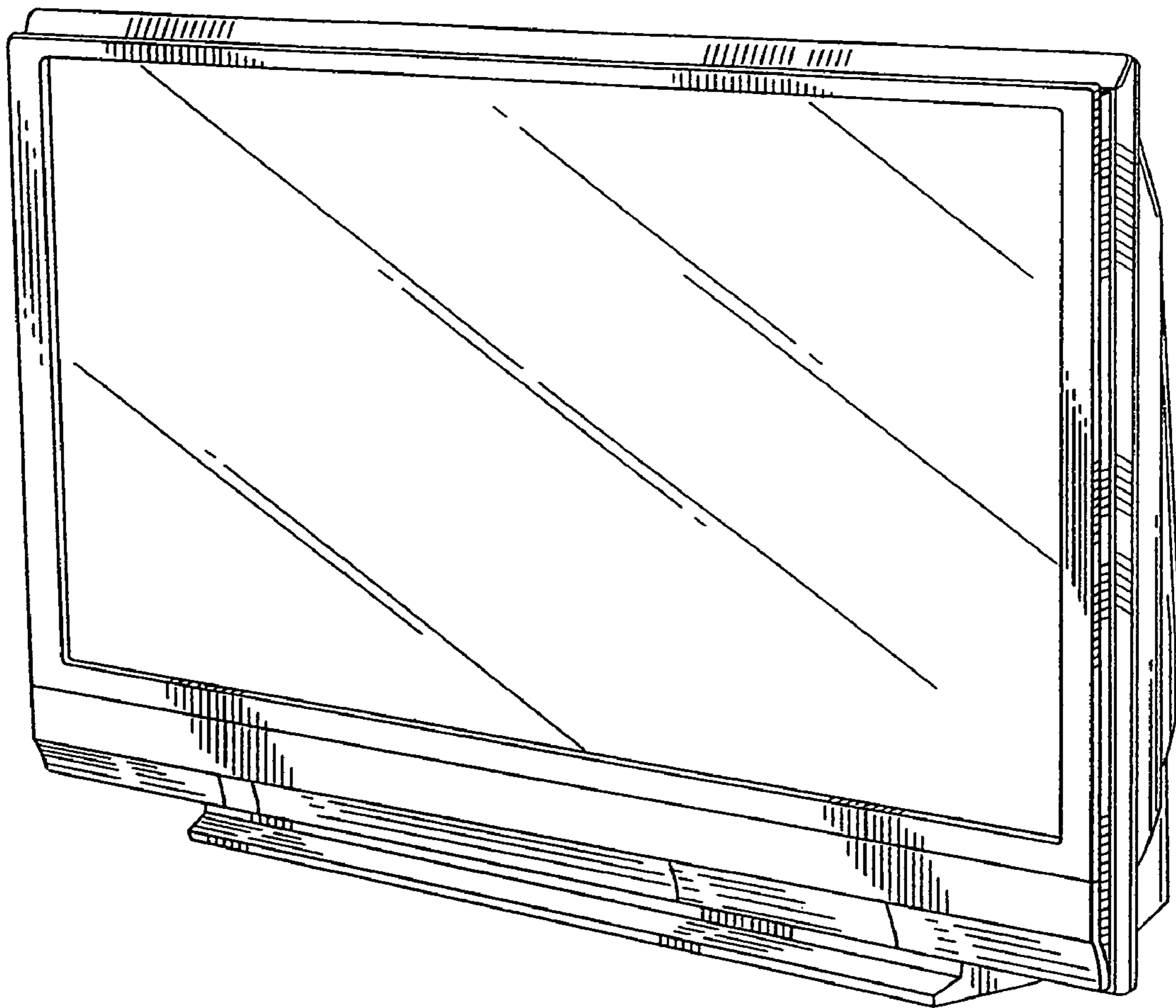


FIG.2

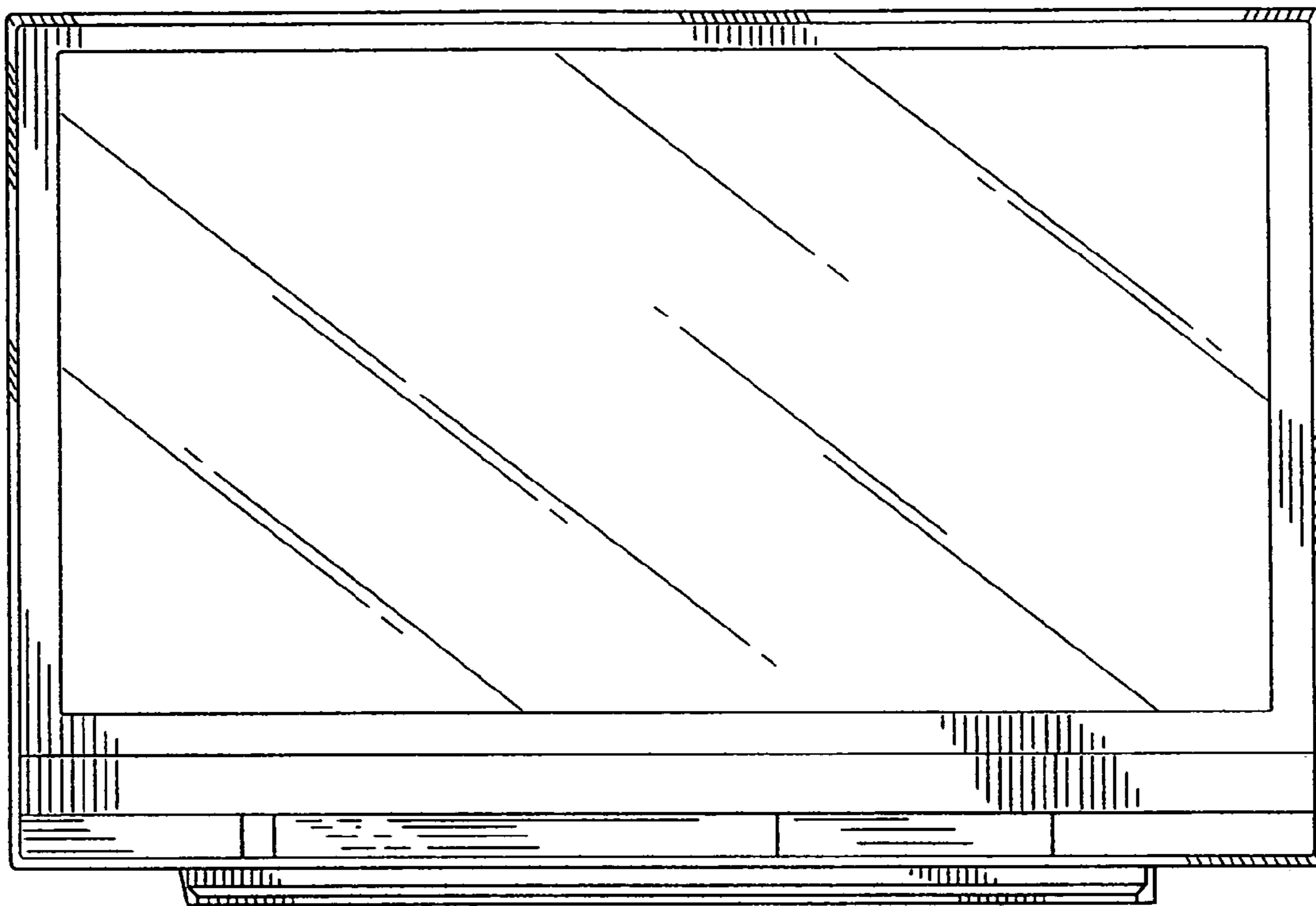


FIG.3

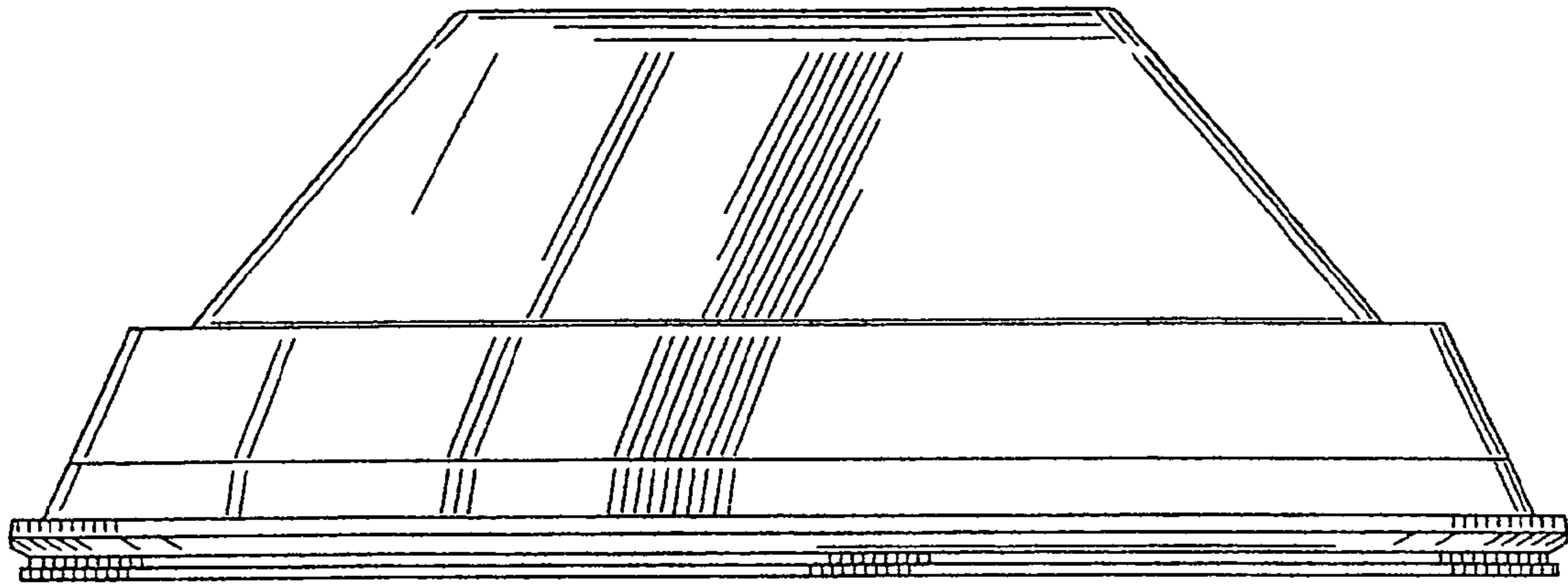


FIG.4

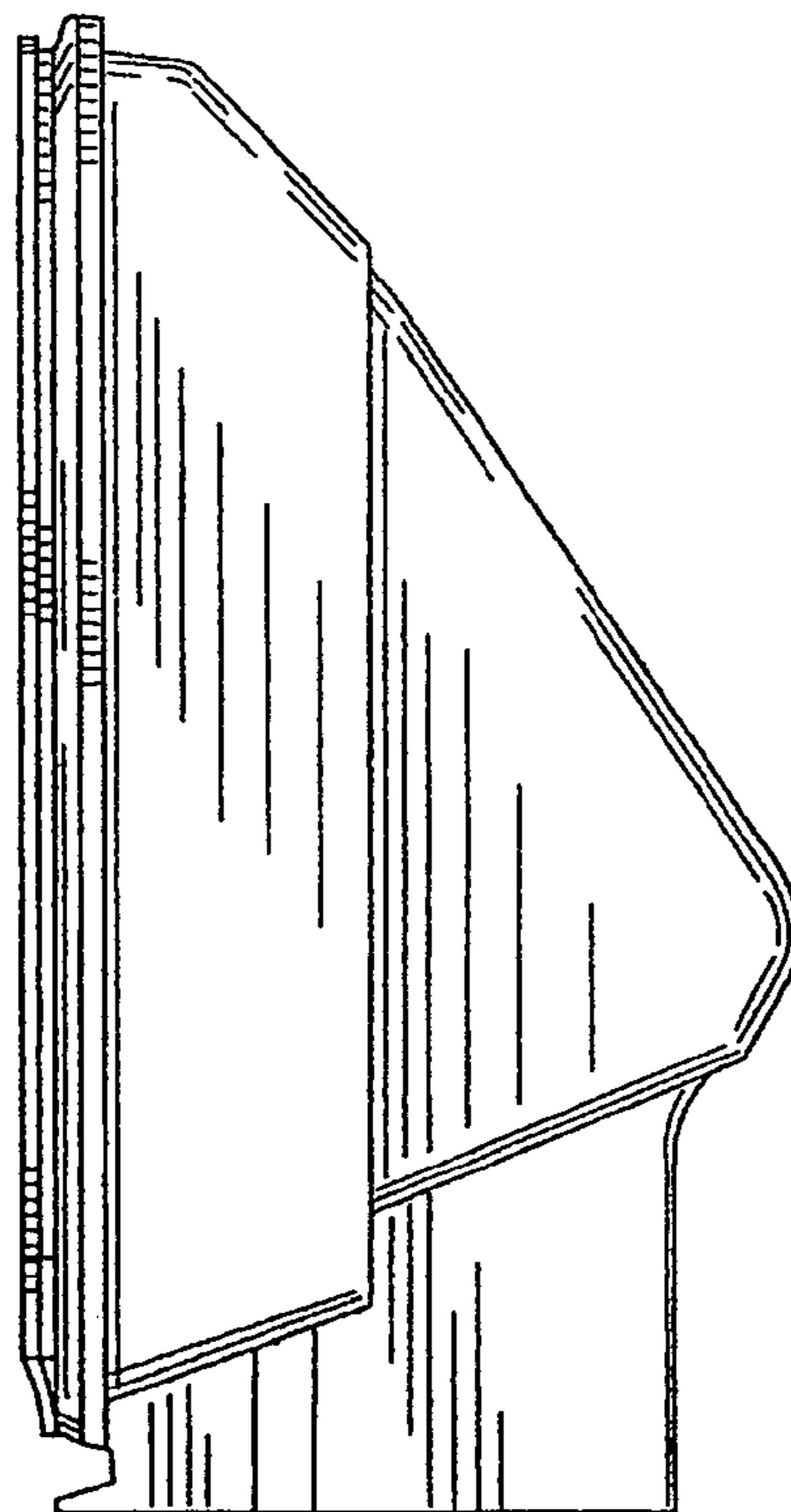


FIG.5

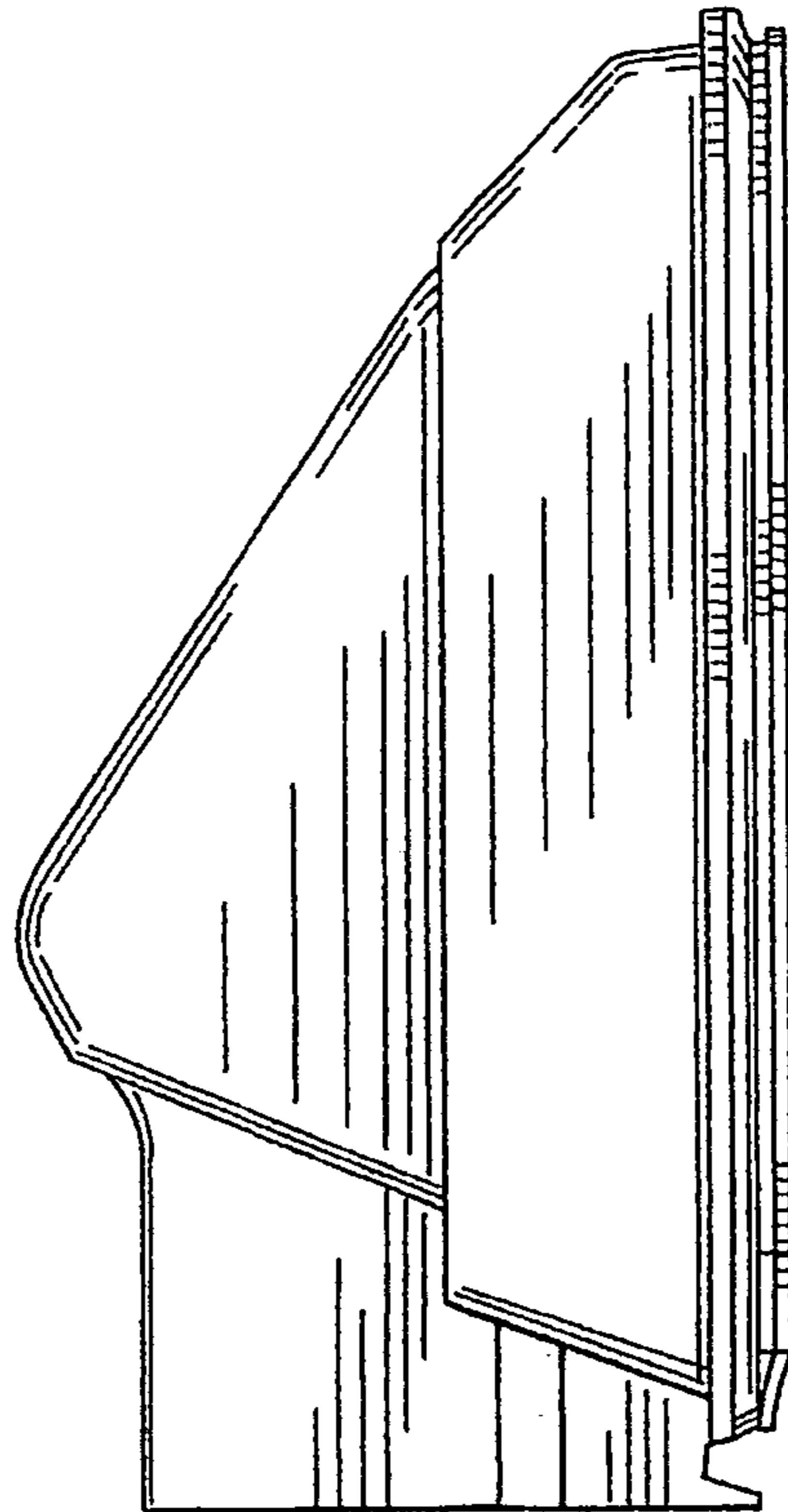


FIG.6

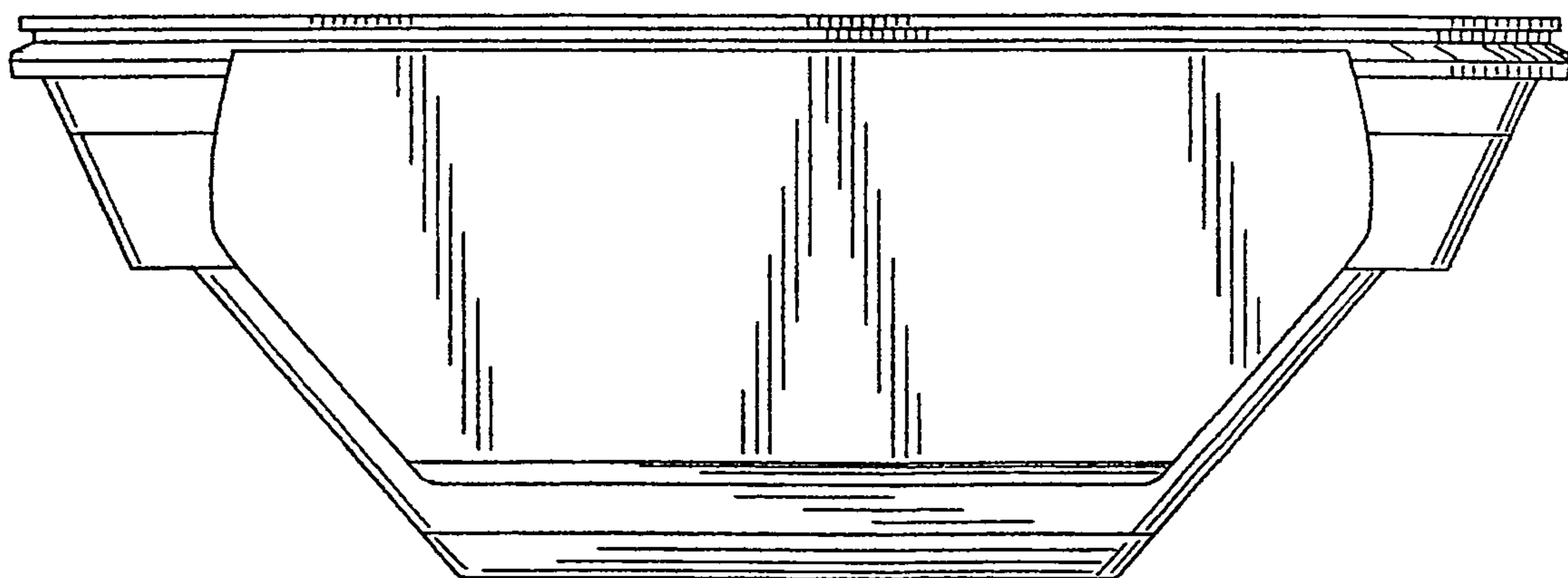


FIG.7

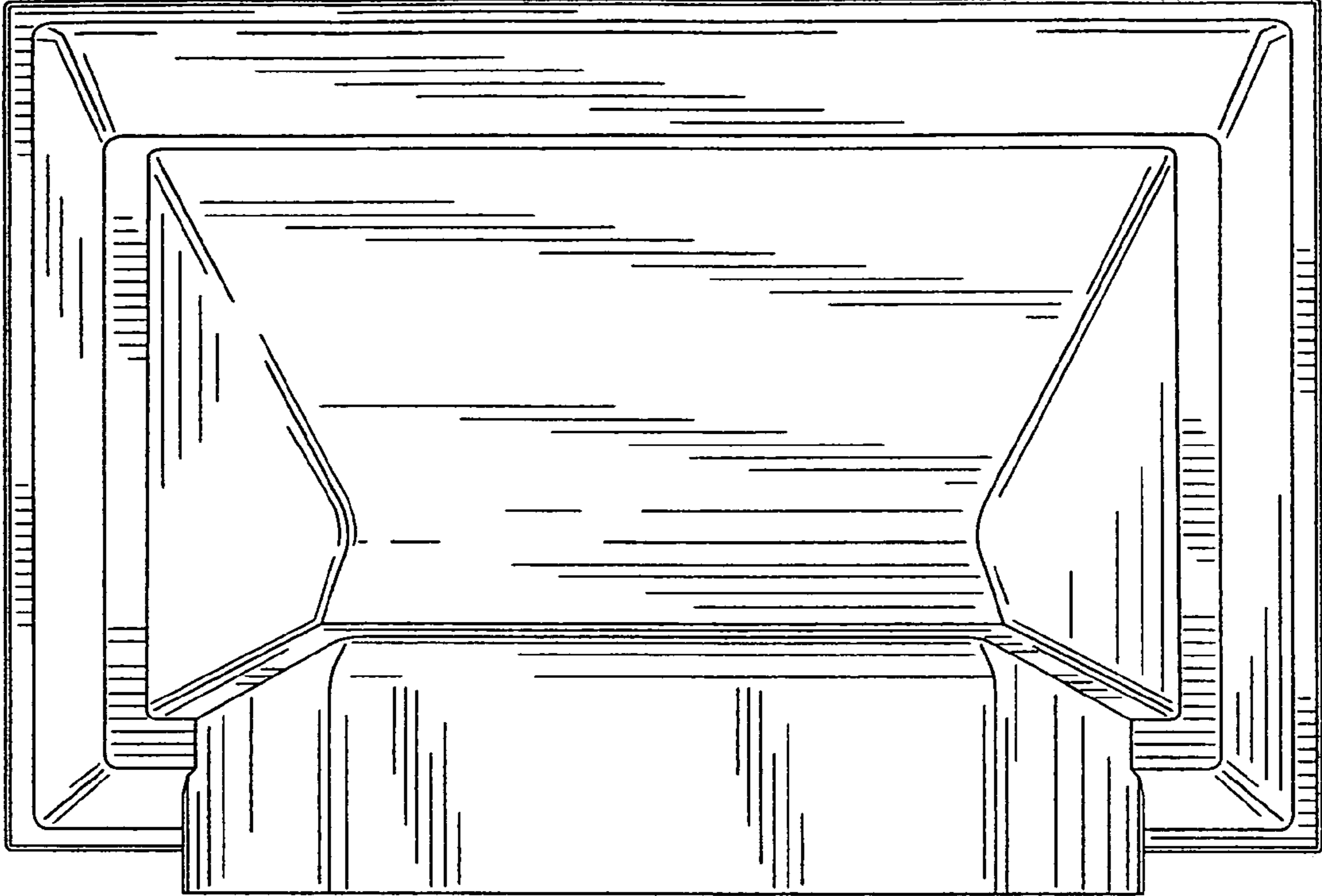


FIG.8

