

US00D561132S

(12) **United States Design Patent**
Chu

(10) **Patent No.:** **US D561,132 S**
(45) **Date of Patent:** **** Feb. 5, 2008**

- (54) **TELEVISION SET**
- (75) Inventor: **Chih-Ming Chu**, Taipei (TW)
- (73) Assignee: **Hannspree, Inc.**, Taipei (TW)
- (**) Term: **14 Years**
- (21) Appl. No.: **29/274,920**
- (22) Filed: **Jun. 7, 2007**
- (30) **Foreign Application Priority Data**
Mar. 30, 2007 (TW) 96301862
- (51) **LOC (8) Cl.** **14-03**
- (52) **U.S. Cl.** **D14/126**
- (58) **Field of Classification Search** D14/125-134,
D14/239, 371, 136, 374-377; 312/7.2; 348/836,
348/838, 180, 184, 325, 739; 341/12; 248/917-924,
248/465; 345/104, 133, 156, 168, 87, 173;
720/605, 669, 600, 655; 369/99, 197; 455/344-347
See application file for complete search history.

- D526,627 S * 8/2006 Williams D14/126
- D531,600 S * 11/2006 Nakata D14/126
- D533,151 S * 12/2006 Wilson D14/126
- D541,769 S * 5/2007 Hoehn et al. D14/126
- D547,738 S * 7/2007 Liang et al. D14/126

* cited by examiner

Primary Examiner—Raphael Barkai
(74) *Attorney, Agent, or Firm*—Morgan, Lewis & Bockius LLP

(57) **CLAIM**

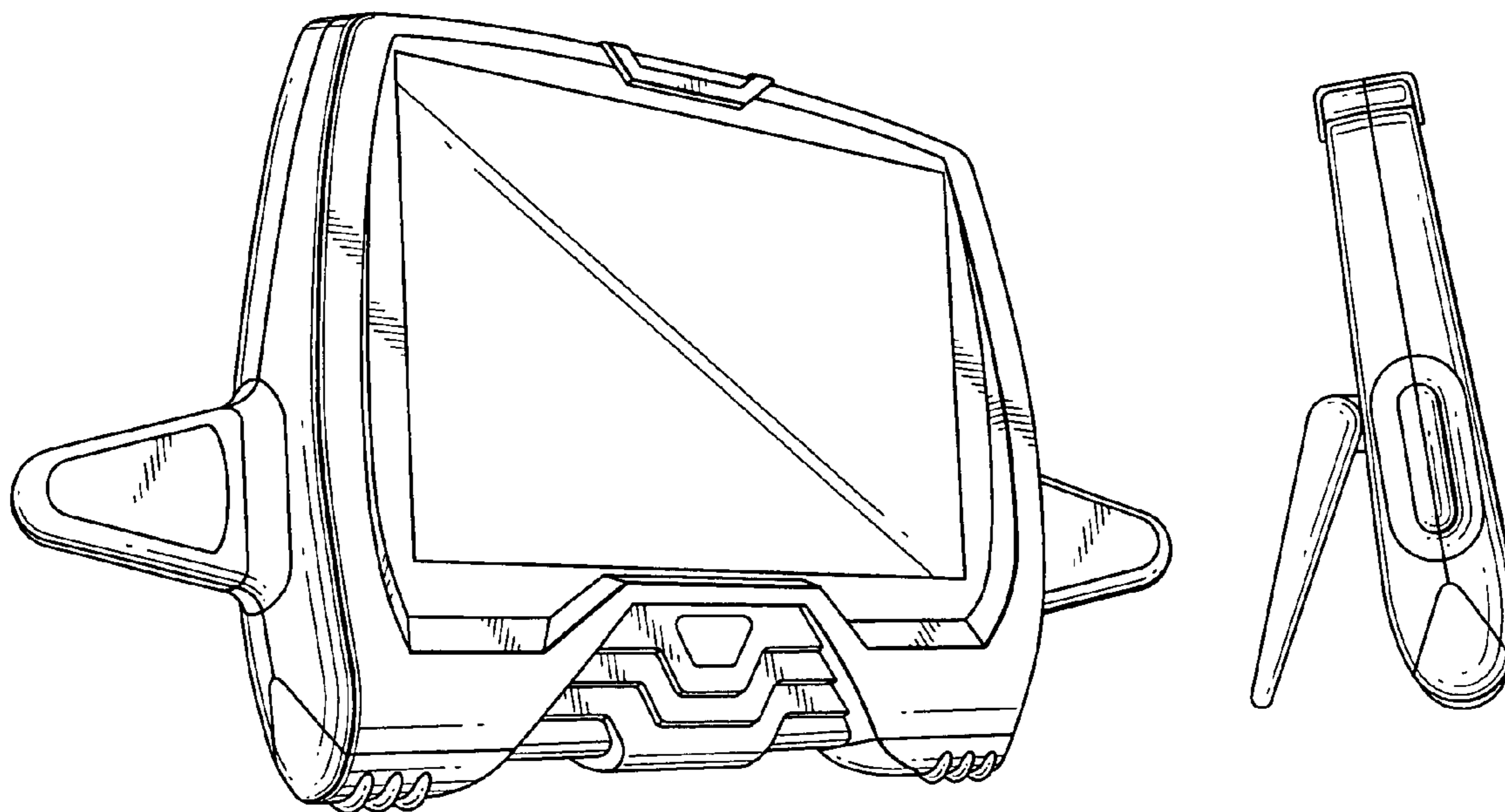
The ornamental design for television set, as shown and described.

DESCRIPTION

FIG. 1 is a perspective view of television set showing my new design;
FIG. 2 is a front elevational view thereof;
FIG. 3 is a rear elevational view thereof;
FIG. 4 is a left side elevational view thereof;
FIG. 5 is a right side elevational view thereof;
FIG. 6 is a top plan view thereof;
FIG. 7 is a bottom plan view thereof; and,
FIG. 8 is a perspective view in use.

- (56) **References Cited**
U.S. PATENT DOCUMENTS
D464,050 S * 10/2002 Mori D14/375
D472,554 S * 4/2003 Zuege et al. D14/375
D496,660 S * 9/2004 Liu D14/371

1 Claim, 5 Drawing Sheets



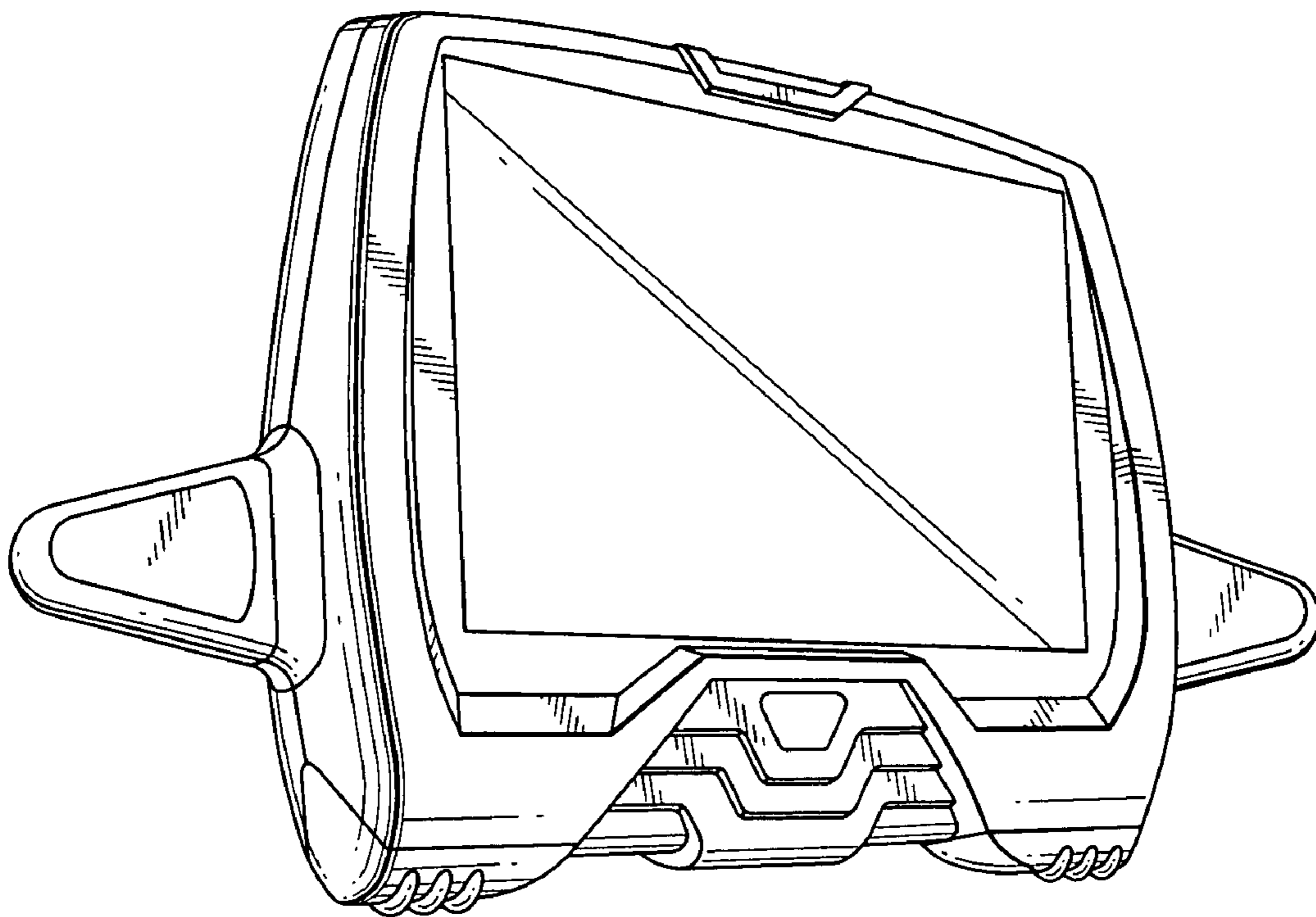


FIG. 1

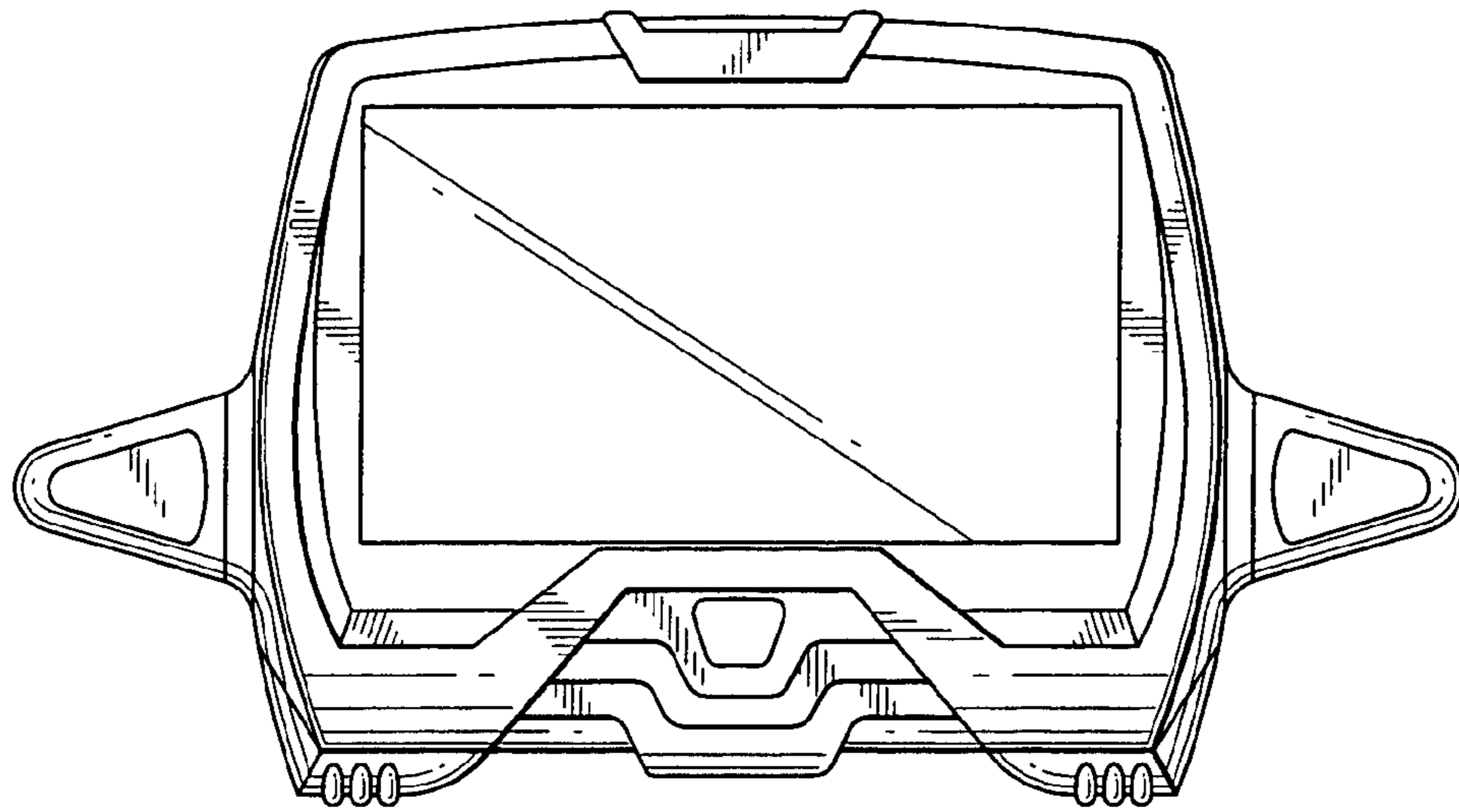


FIG. 2

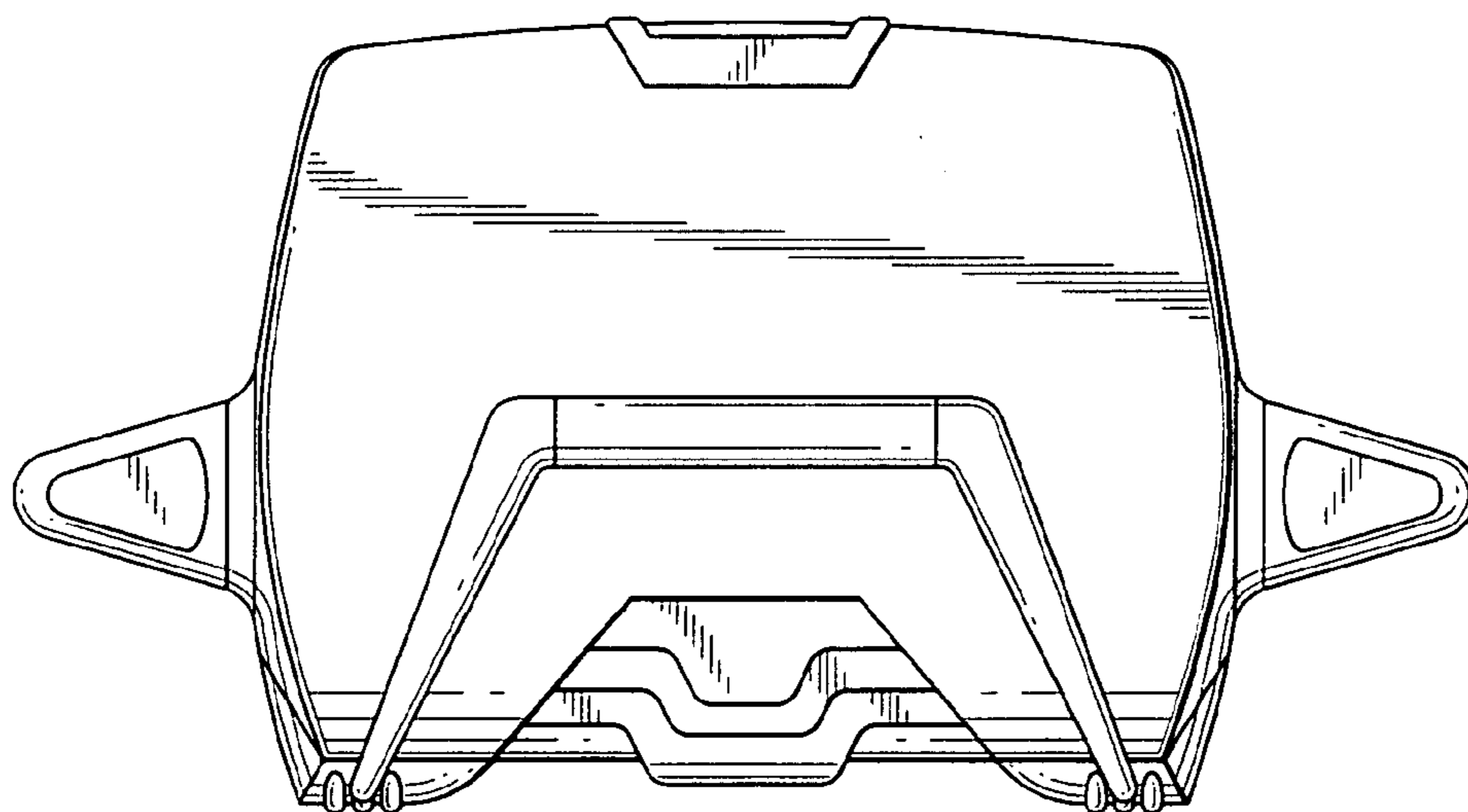


FIG. 3

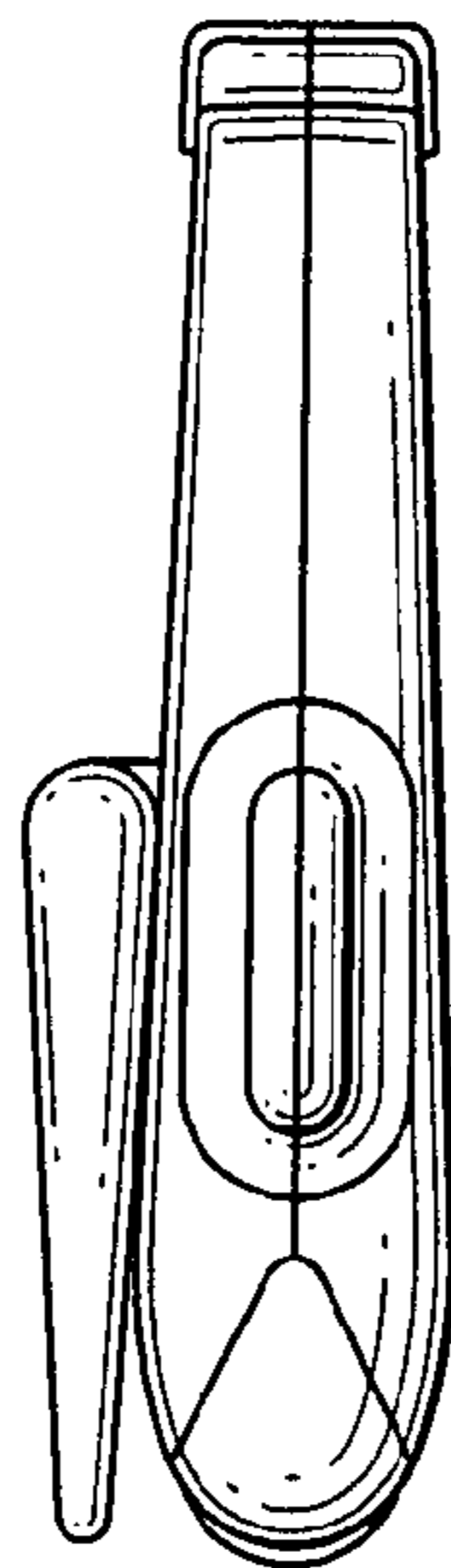


FIG. 4

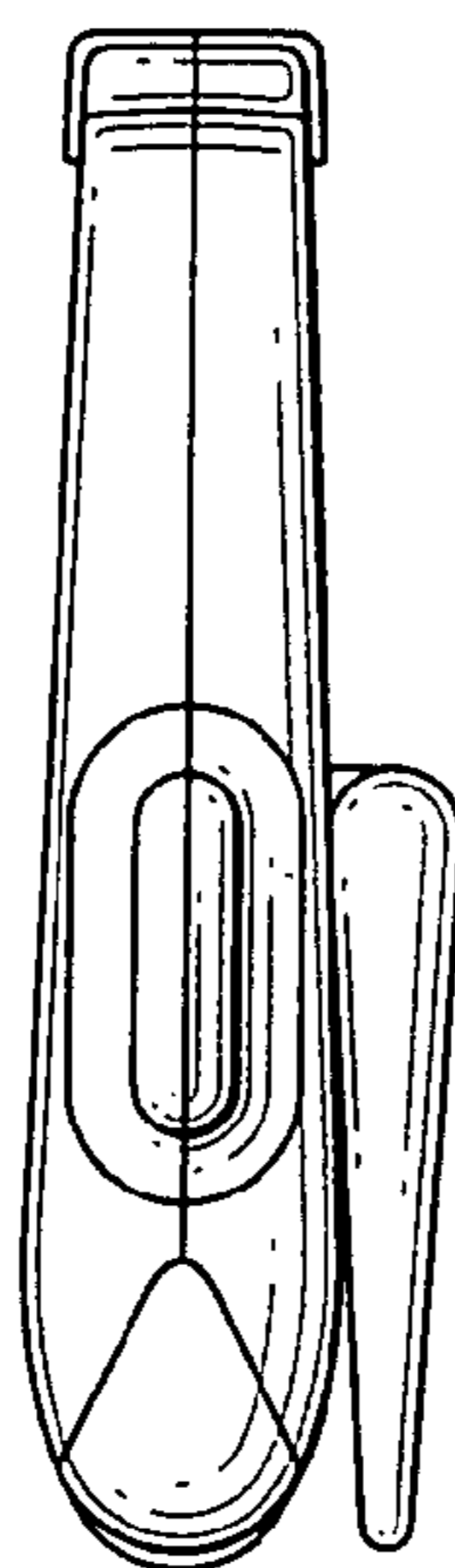


FIG. 5

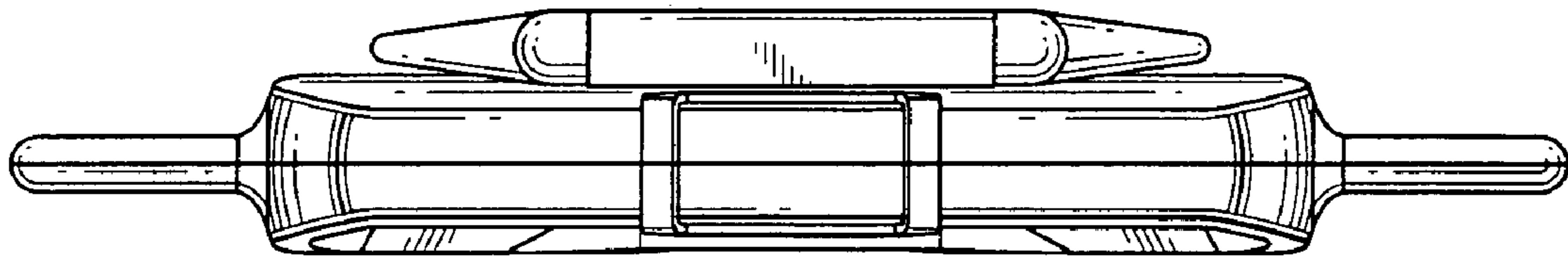


FIG. 6

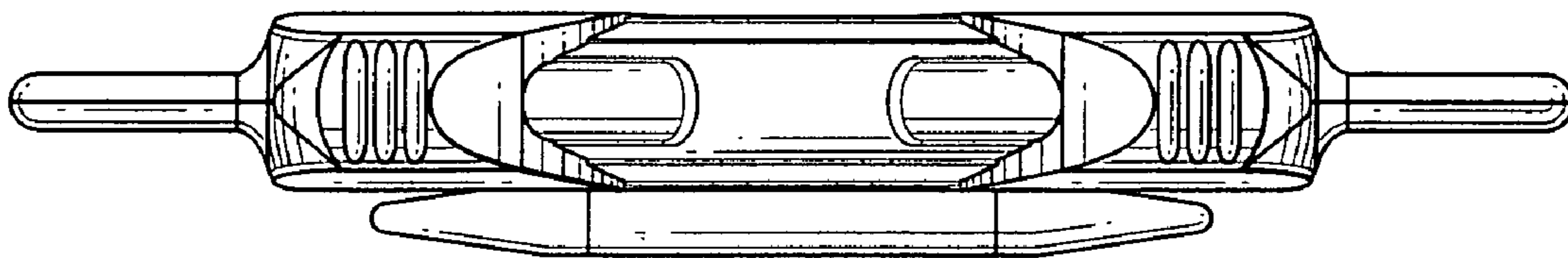


FIG. 7

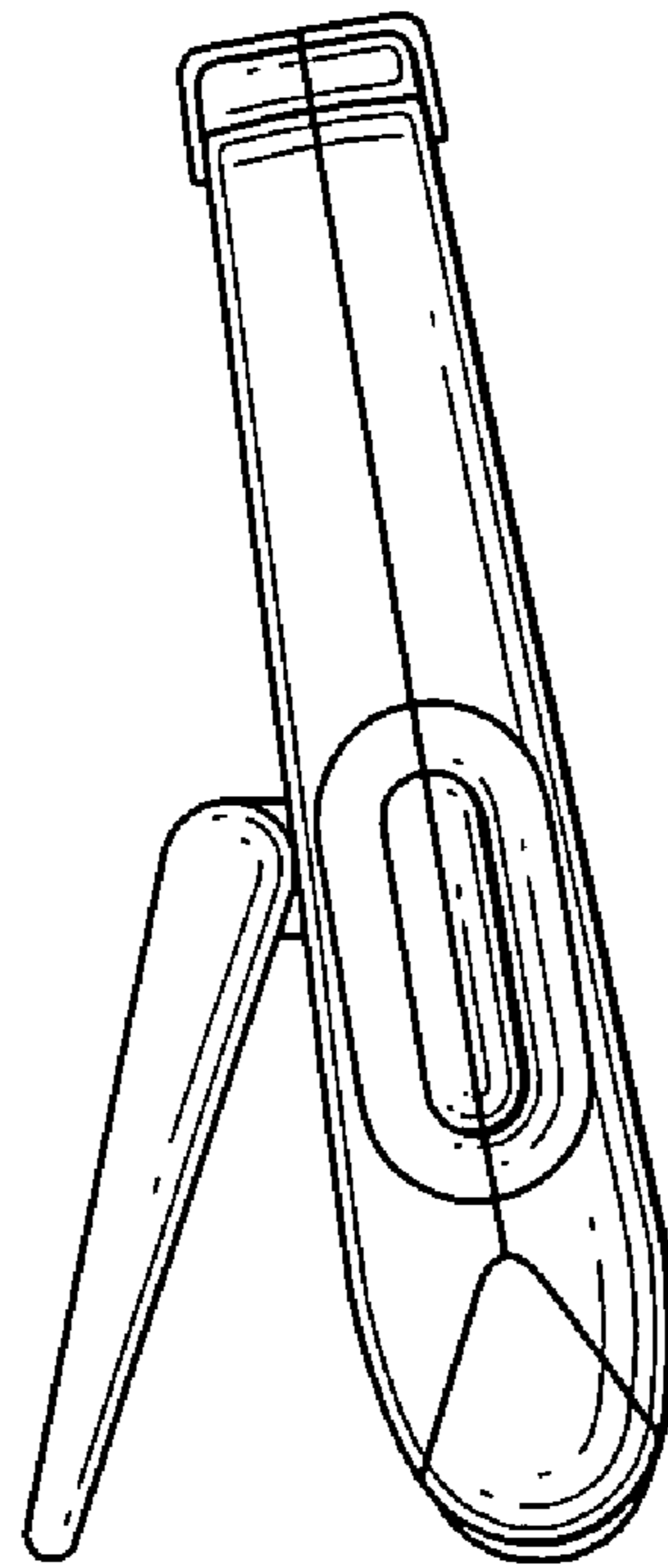


FIG. 8