



US00D561125S

(12) **United States Design Patent** (10) **Patent No.:** **US D561,125 S**
Stowers et al. (45) **Date of Patent:** **** Feb. 5, 2008**

(54) **INTERFACE COVER**

(75) Inventors: **Jeffery P. Stowers**, Mt. Sidney, VA (US); **Randall C. Garman**, Grottoes, VA (US); **Randall L. Herron**, Waynesboro, VA (US); **David L. Rocker**, Charlottesville, VA (US)

(73) Assignee: **Virginia Panel Corporation**, Waynesboro, VA (US)

(**) Term: **14 Years**

(21) Appl. No.: **29/249,735**

(22) Filed: **Oct. 19, 2006**

(51) **LOC (8) Cl.** **13-99**

(52) **U.S. Cl.** **D13/184**

(58) **Field of Classification Search** 439/364, 439/372, 953; D10/71, 69, 72; D8/101, D8/55, 49; D13/184, 199, 133, 149, 150, D13/151, 153-156, 158

See application file for complete search history.

(56) **References Cited**

U.S. PATENT DOCUMENTS

D147,106 S *	7/1947	Bradstock et al.	D13/184
4,674,819 A *	6/1987	Fujitani et al.	439/404
5,174,781 A *	12/1992	Muzslay	439/372
5,460,534 A *	10/1995	Taniuchi et al.	439/157
6,174,191 B1 *	1/2001	Maue et al.	439/372
6,213,795 B1 *	4/2001	Drescher et al.	439/157
D499,032 S *	11/2004	Khubani	D10/69
D508,214 S *	8/2005	Budrow et al.	D10/69
7,137,844 B2 *	11/2006	Flowers et al.	439/372

2003/0132743 A1* 7/2003 Langouet et al. 324/158.1

* cited by examiner

Primary Examiner—Robert M. Spear
Assistant Examiner—Anna K Dworzecka
(74) *Attorney, Agent, or Firm*—24IP Law Group; Timothy R. DeWitt

(57) **CLAIM**

The ornamental design for an interface cover, as shown and described.

DESCRIPTION

FIG. 1 is a front perspective view of an interface cover showing our new design;

FIG. 2 is a right side elevational view of the interface cover shown in FIG. 1;

FIG. 3 is a front elevational view of the interface cover shown in FIG. 1;

FIG. 4 is a rear elevational view of the interface cover shown in FIG. 1;

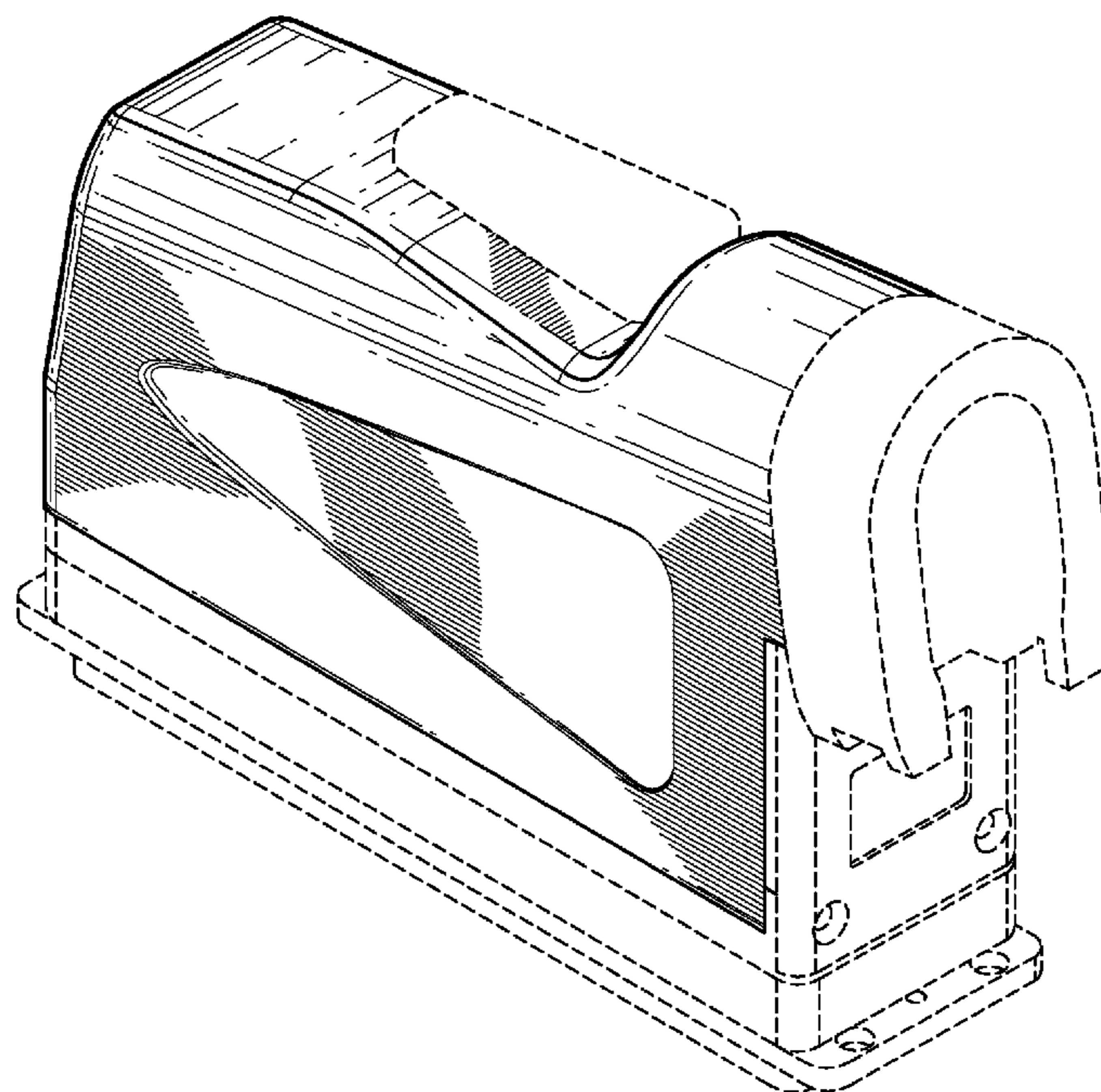
FIG. 5 is a left side elevational view of the interface cover shown in FIG. 1;

FIG. 6 is a top plan view of the interface cover shown in FIG. 1; and,

FIG. 7 is a bottom plan view of the interface cover shown in FIG. 1.

It will be understood that the dashed lines presented in the drawings are for illustration only, and do not form a part of the claimed design.

1 Claim, 6 Drawing Sheets



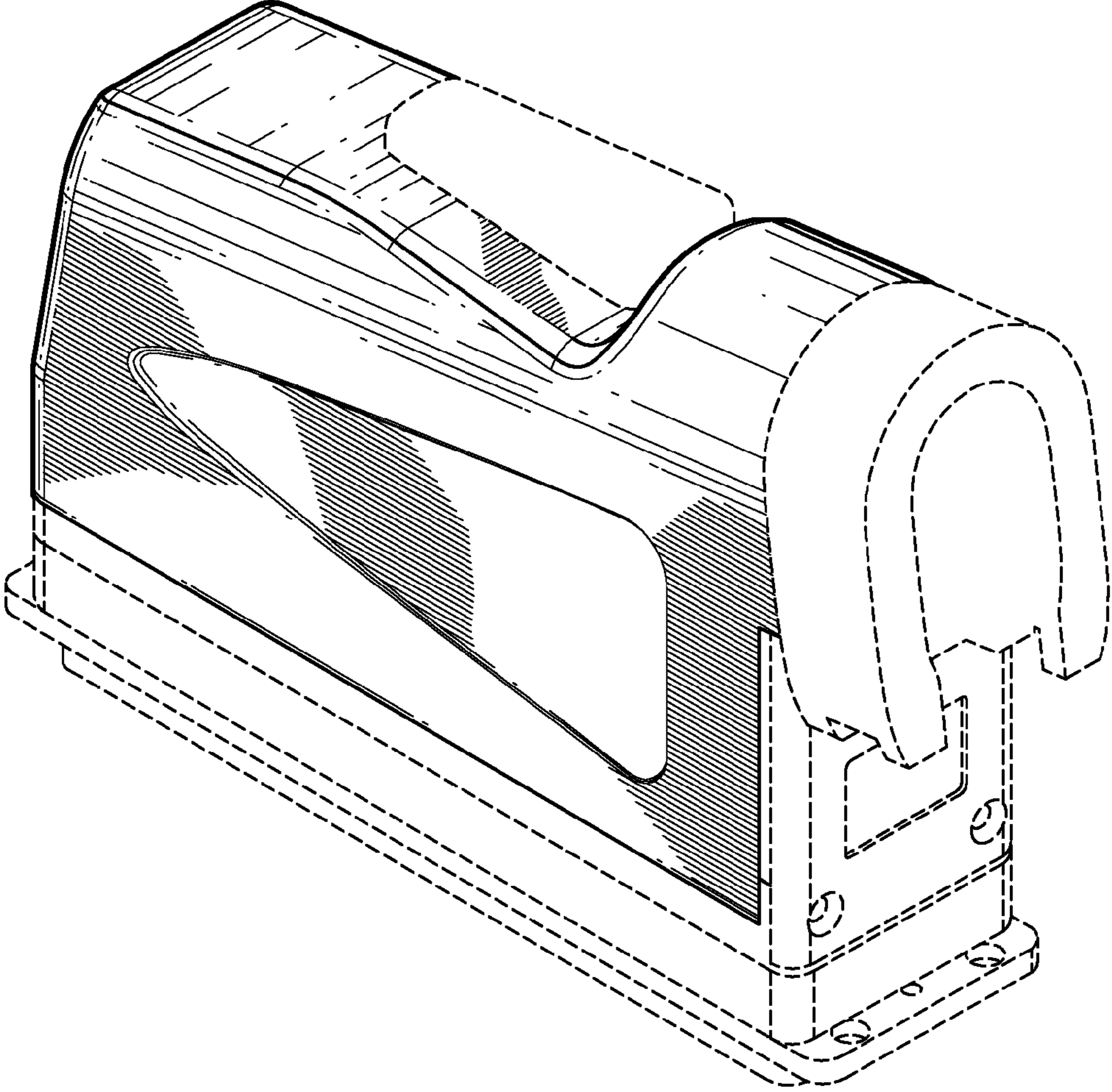


FIG. 1

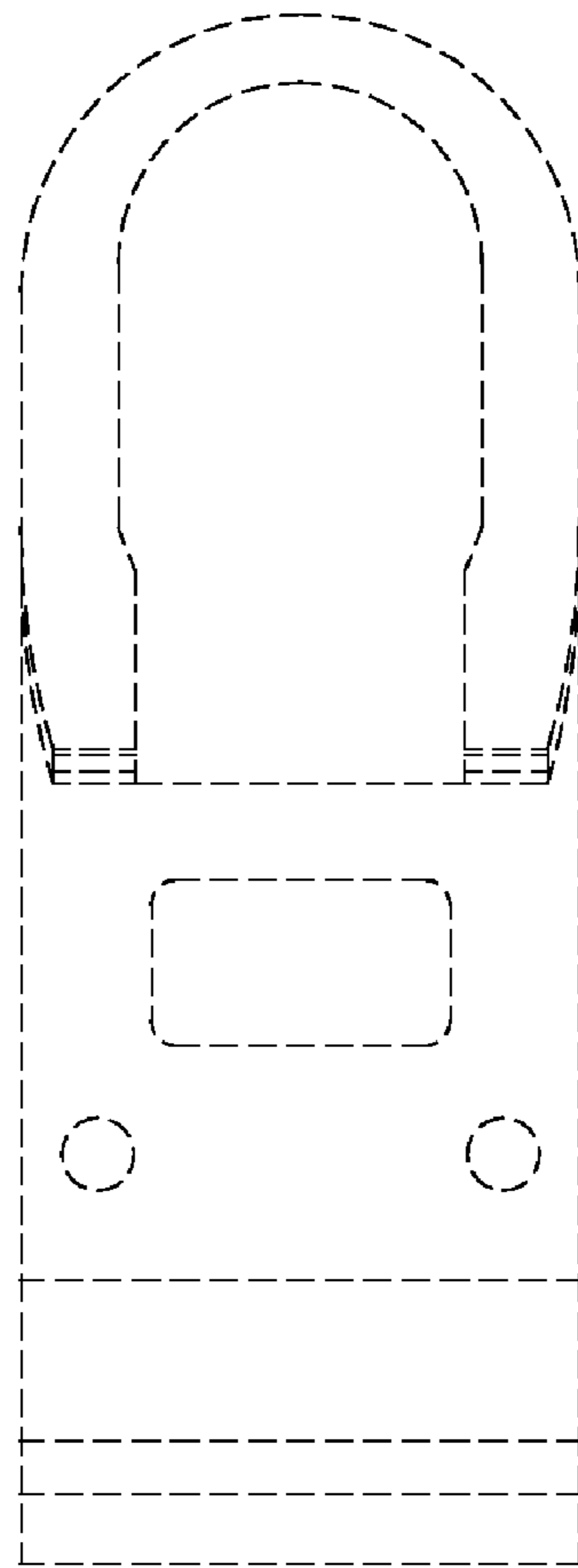


FIG. 2

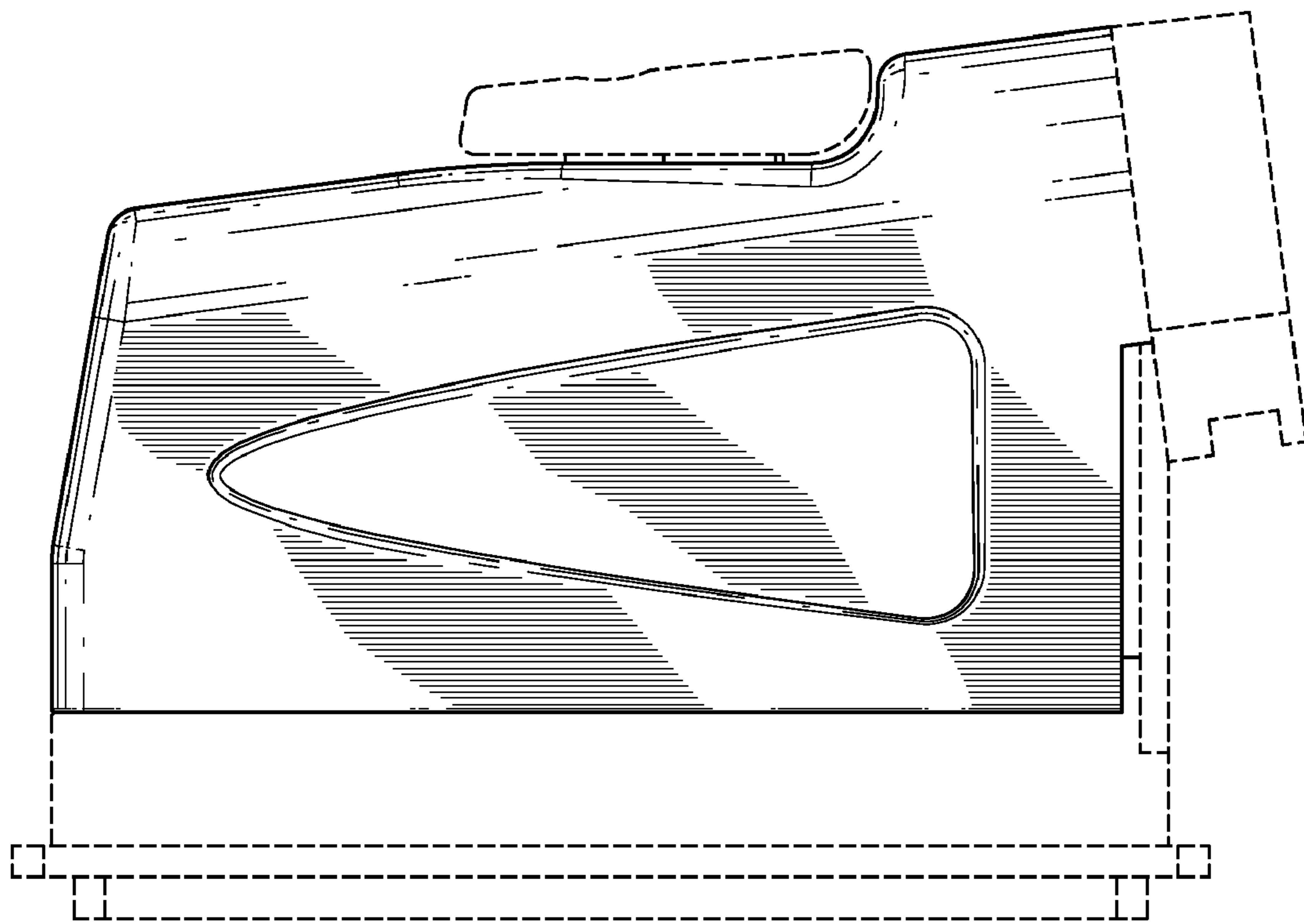


FIG. 3

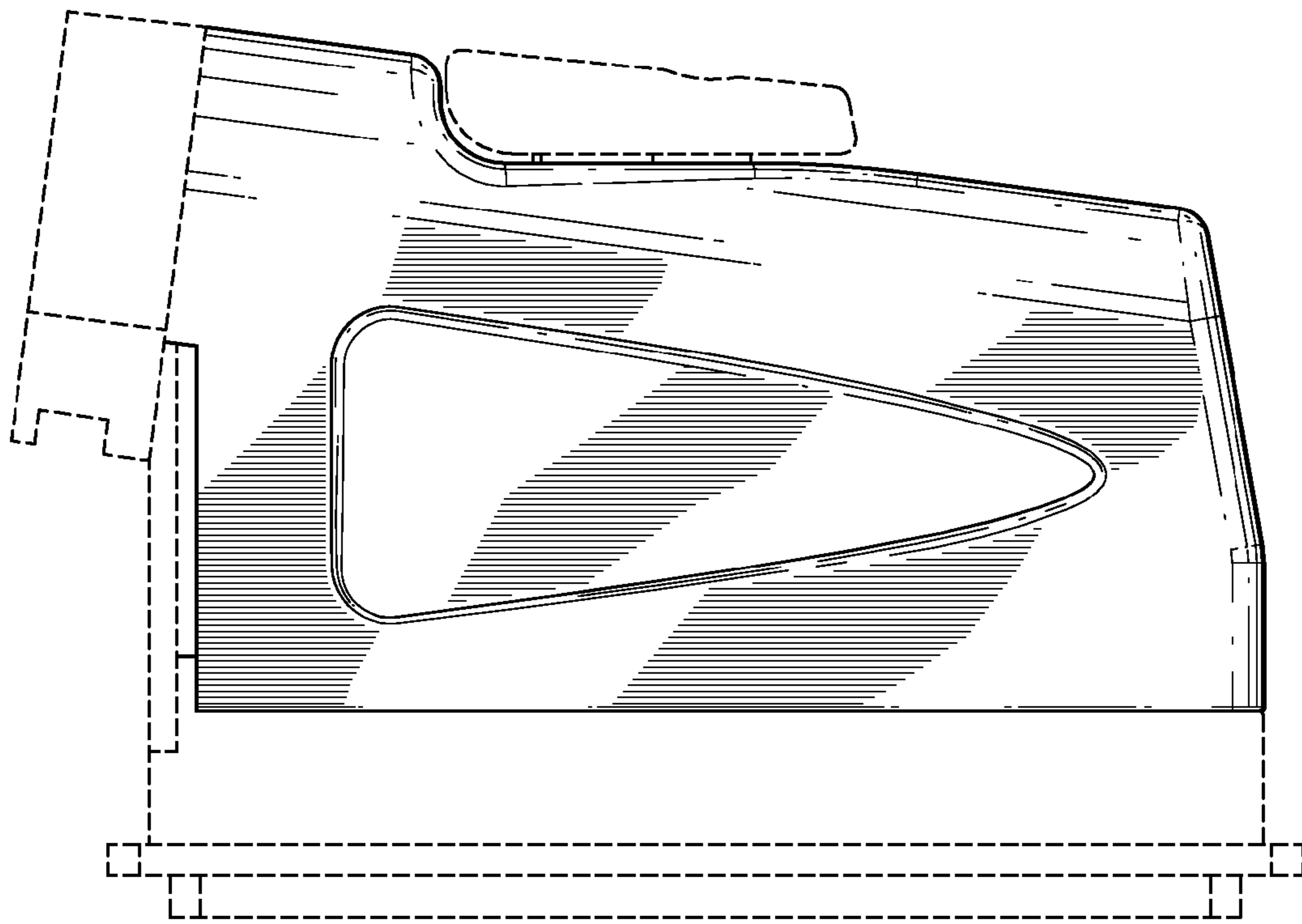


FIG.4

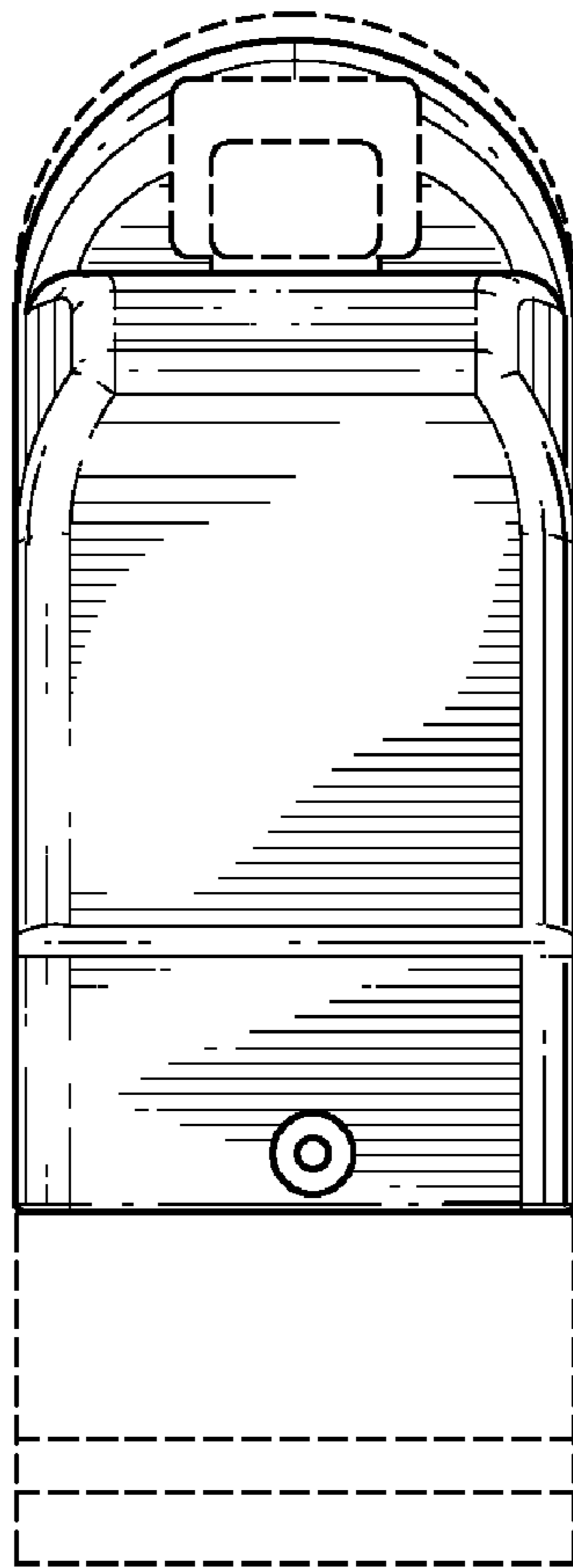


FIG. 5

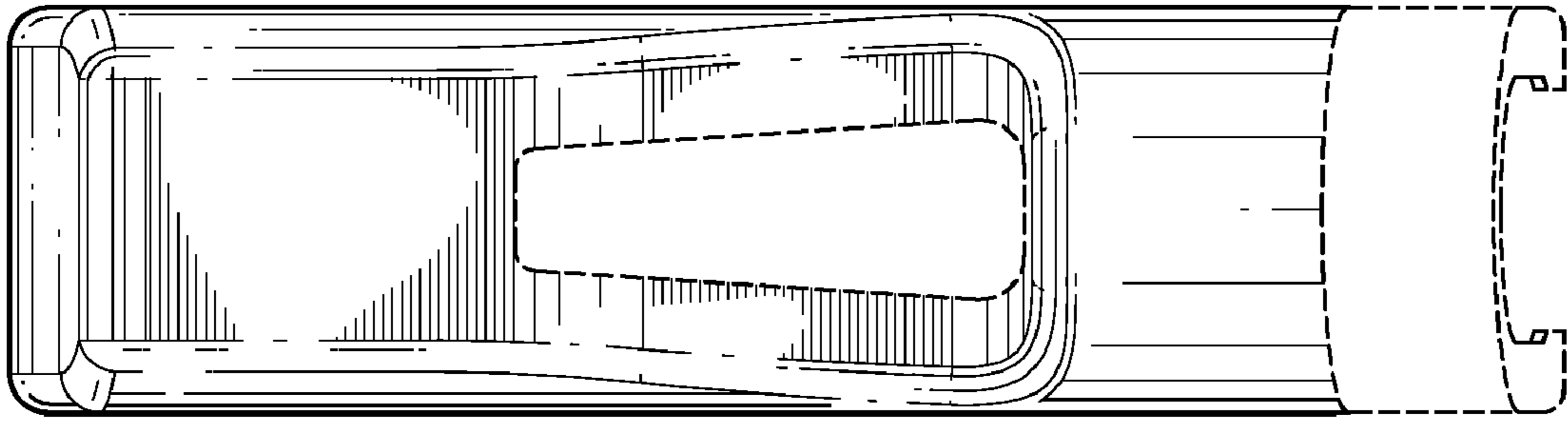


FIG. 6



FIG. 7