



US00D561120S

(12) **United States Design Patent**  
**Chen et al.**

(10) **Patent No.:** **US D561,120 S**

(45) **Date of Patent:** **\*\* Feb. 5, 2008**

(54) **HEAT DISSIPATING MODULE**

(75) Inventors: **Chin-Ming Chen**, Taoyuan Hsien (TW); **Yuhsien Lin**, Taoyuan Hsien (TW); **Tsung-Lin Chen**, Taoyuan Hsien (TW); **Alex Hsia**, Taoyuan Hsien (TW)

(73) Assignee: **Delta Electronics, Inc.**, Taoyuan Hsien (TW)

(\*\*) Term: **14 Years**

(21) Appl. No.: **29/266,730**

(22) Filed: **Sep. 28, 2006**

(51) **LOC (8) Cl.** ..... **13-03**

(52) **U.S. Cl.** ..... **D13/179**

(58) **Field of Classification Search** ..... D13/179;  
165/80.3, 104.33, 151, 122, 185; 257/706,  
257/707, 718-722; 361/687, 695, 697, 700,  
361/702, 704, 709, 710, 711, 719  
See application file for complete search history.

(56) **References Cited**

**U.S. PATENT DOCUMENTS**

6,407,919 B1 \* 6/2002 Chou ..... 361/697  
D501,450 S \* 2/2005 Watanabe et al. .... D13/179  
7,221,567 B2 \* 5/2007 Otsuki et al. .... 361/695

2002/0182068 A1 \* 12/2002 Liu ..... 415/176  
2005/0141992 A1 \* 6/2005 Lin ..... 415/176  
2005/0271506 A1 \* 12/2005 Pan ..... 415/176  
2005/0280992 A1 \* 12/2005 Carter et al. .... 361/697  
2006/0067053 A1 \* 3/2006 Yu et al. .... 361/704  
2006/0219386 A1 \* 10/2006 Hsia et al. .... 165/80.3

\* cited by examiner

*Primary Examiner*—Selina Sikder

(74) *Attorney, Agent, or Firm*—Birch, Stewart, Kolasch & Birch, LLP

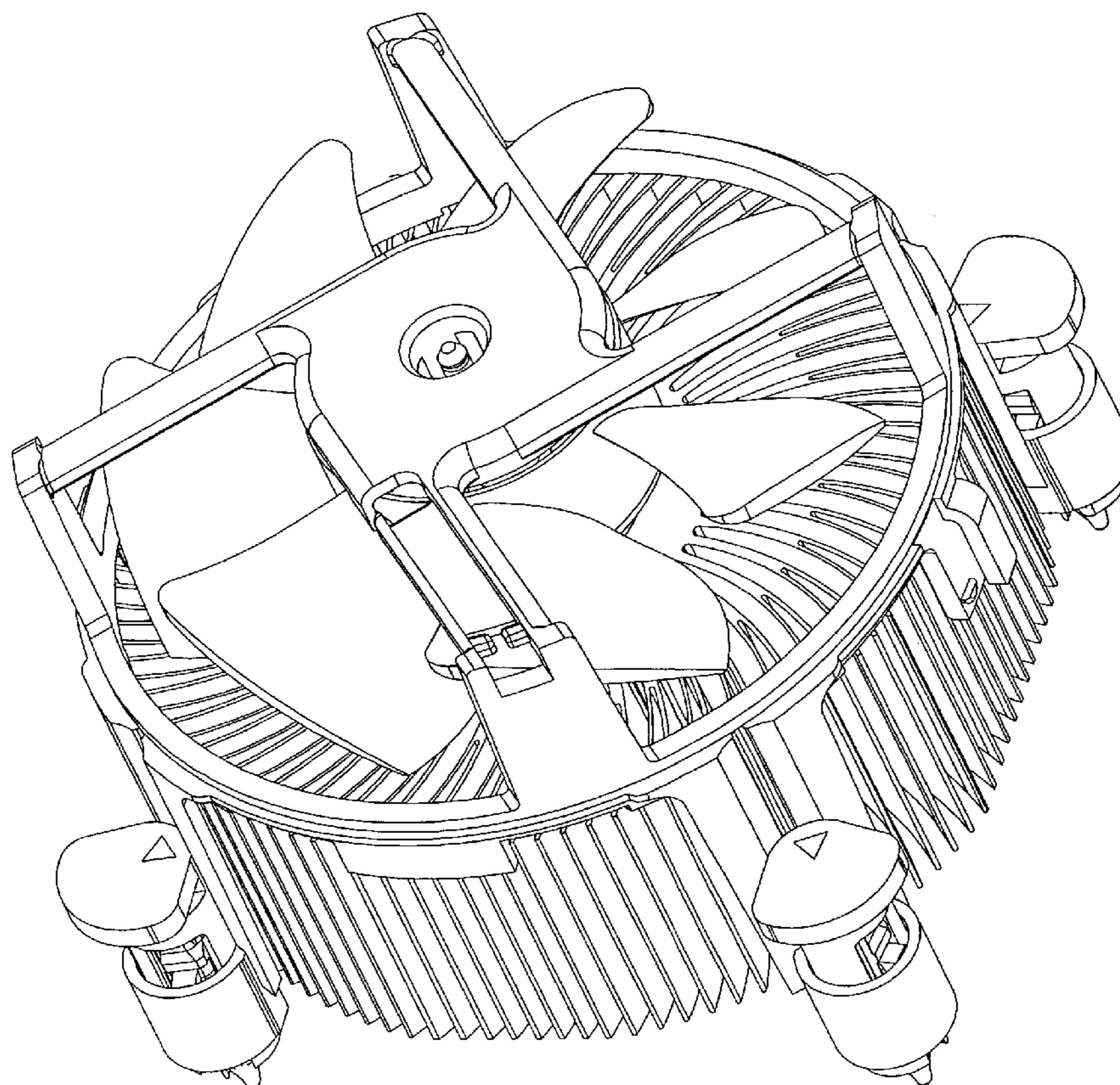
(57) **CLAIM**

The ornamental design for a heat dissipating module, as shown and described herein.

**DESCRIPTION**

FIG. 1 is a perspective view of a heat dissipating module; FIG. 2 is a top plan view thereof; FIG. 3 is a bottom plan view thereof; FIG. 4 is a front elevational view thereof; FIG. 5 is a rear elevational view thereof; FIG. 6 is a right side elevational view thereof; and, FIG. 7 is a left side elevational view thereof.

**1 Claim, 7 Drawing Sheets**



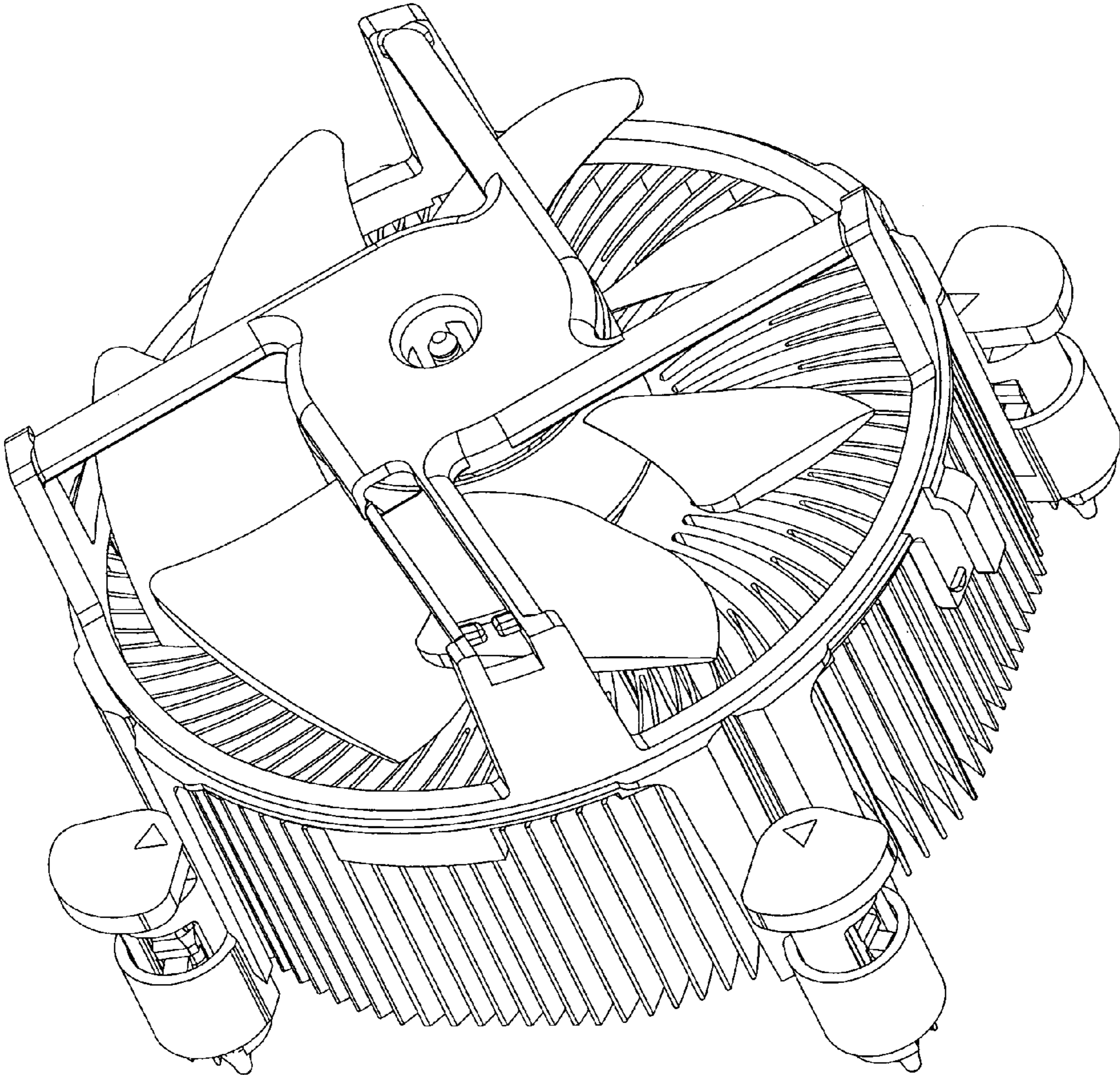


Fig. 1

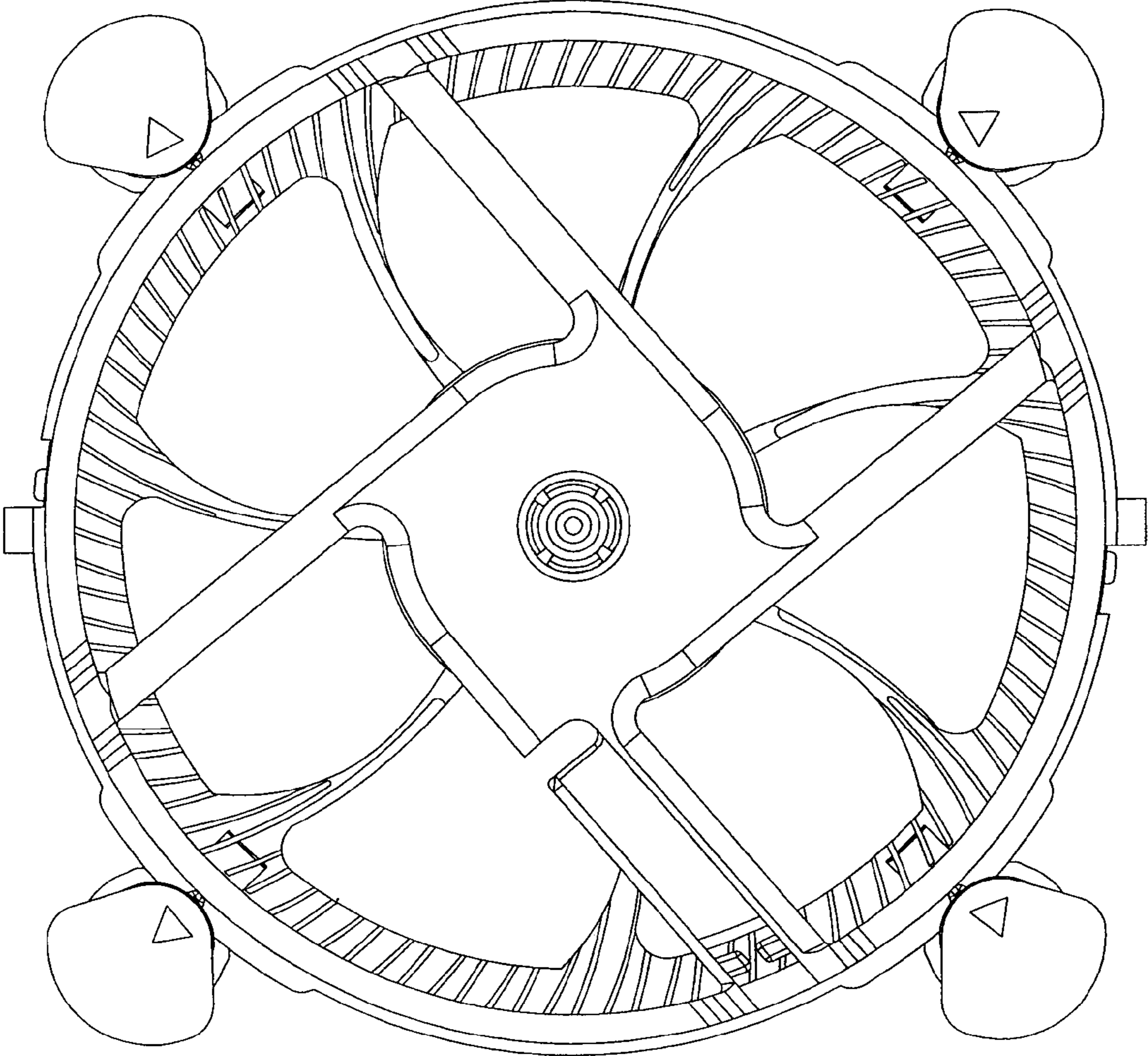


Fig. 2

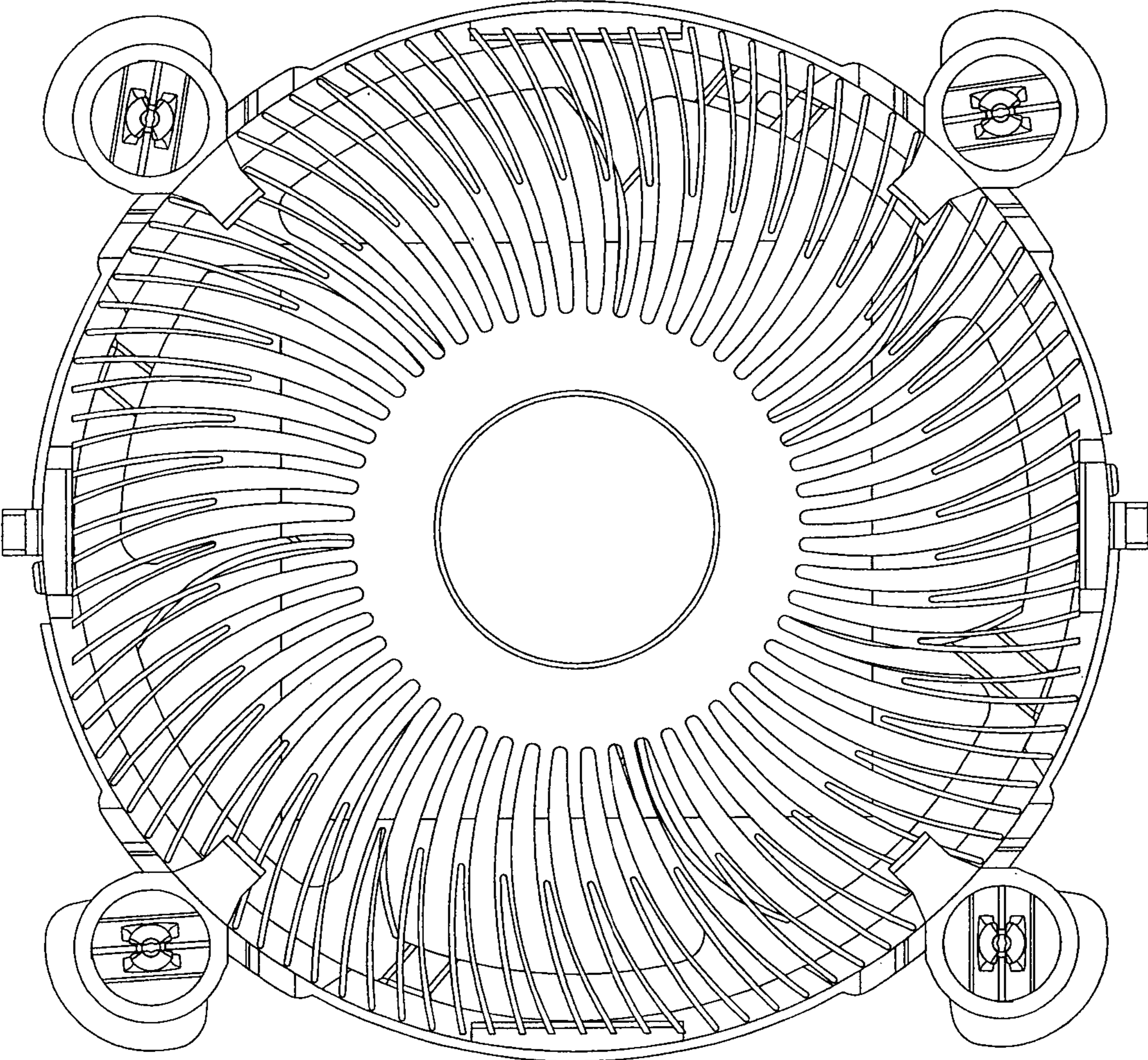


Fig. 3

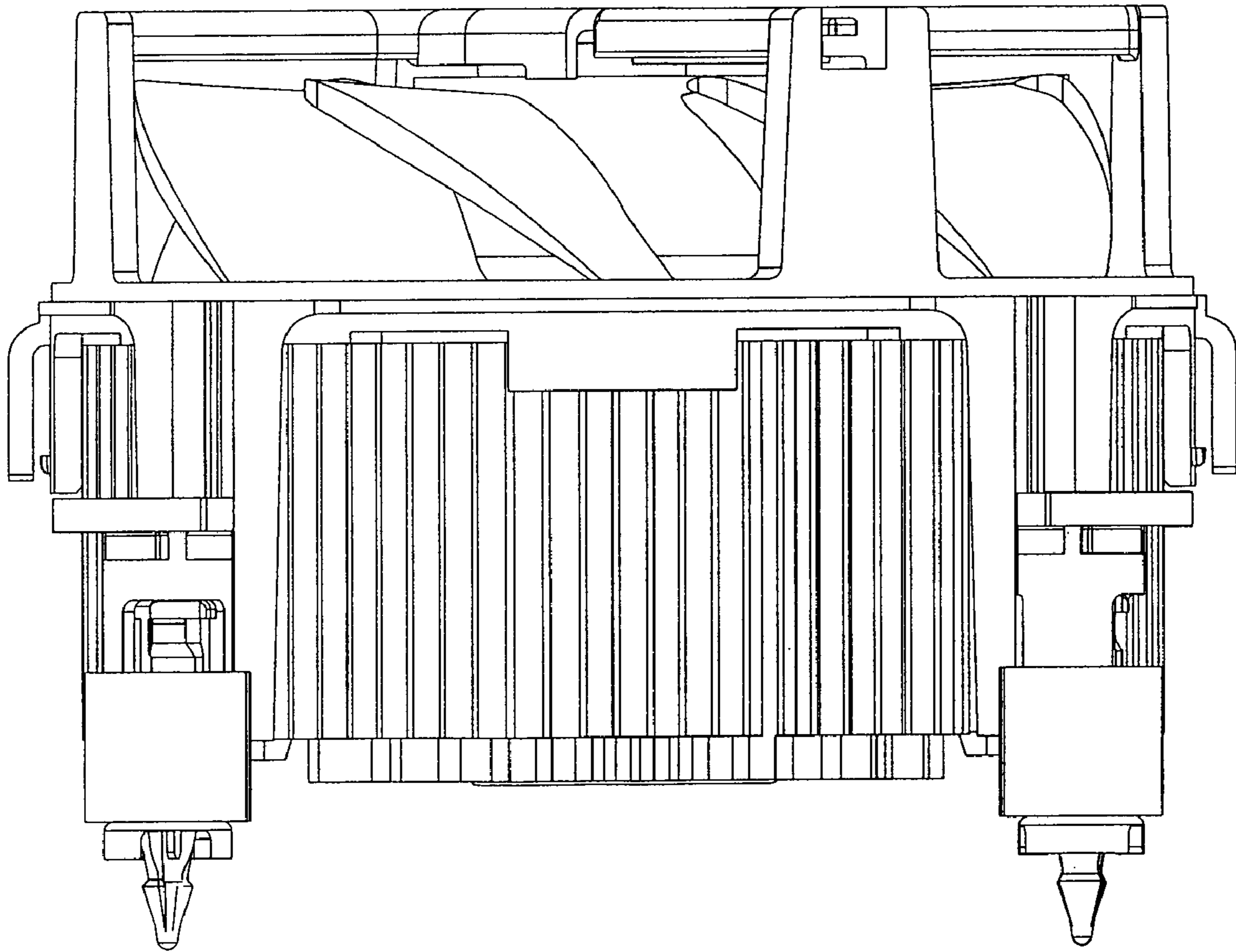


Fig. 4

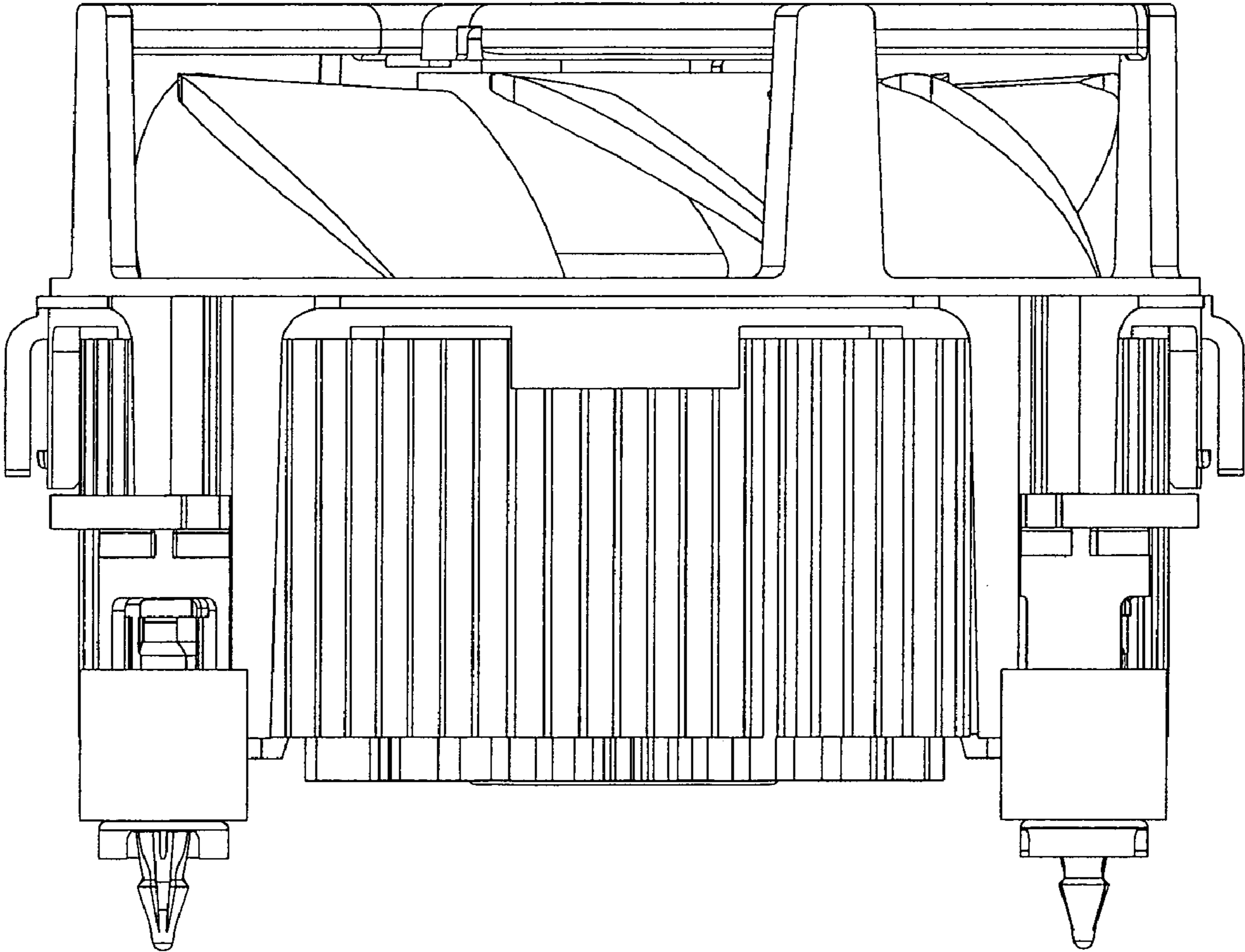


Fig. 5

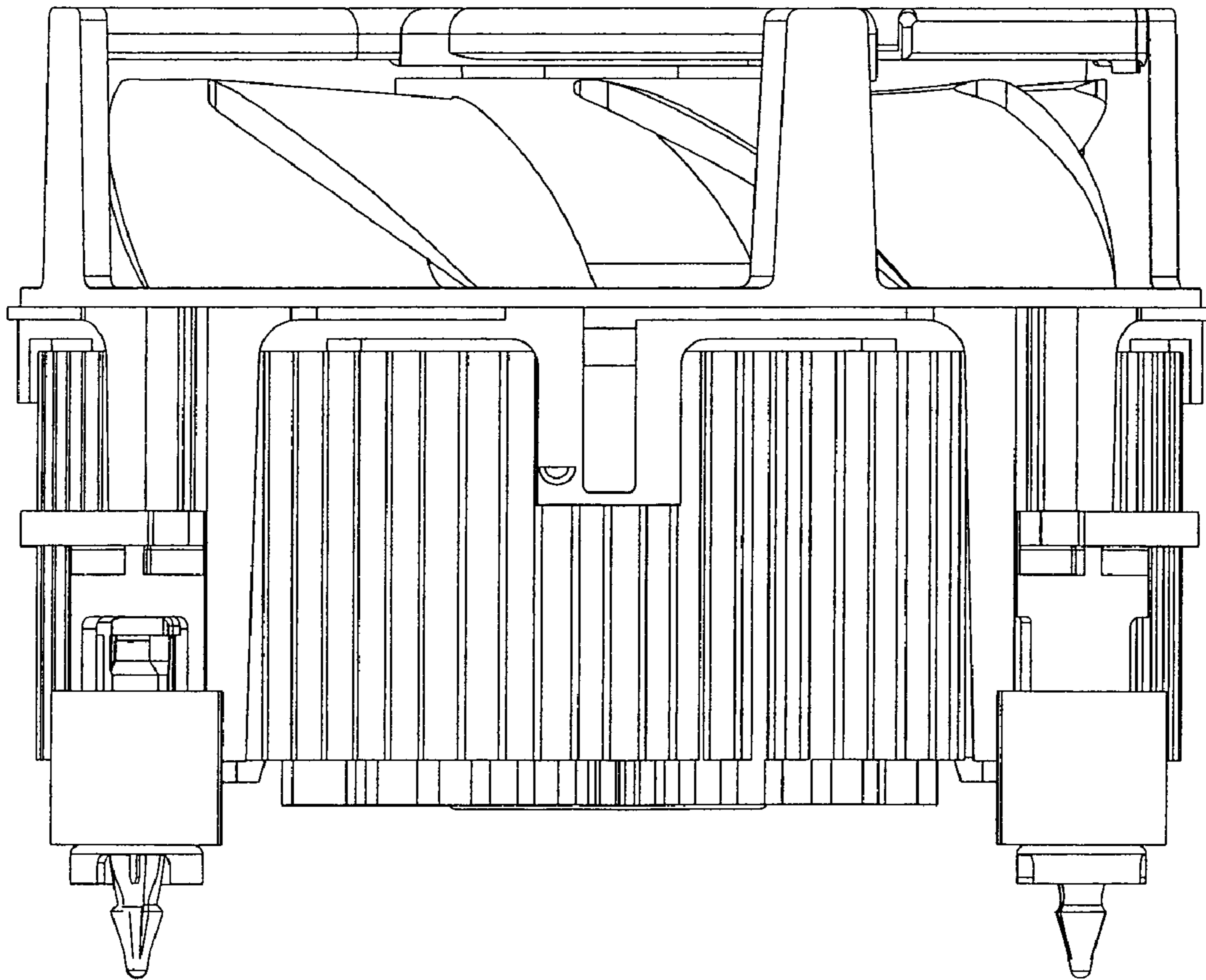


Fig. 6

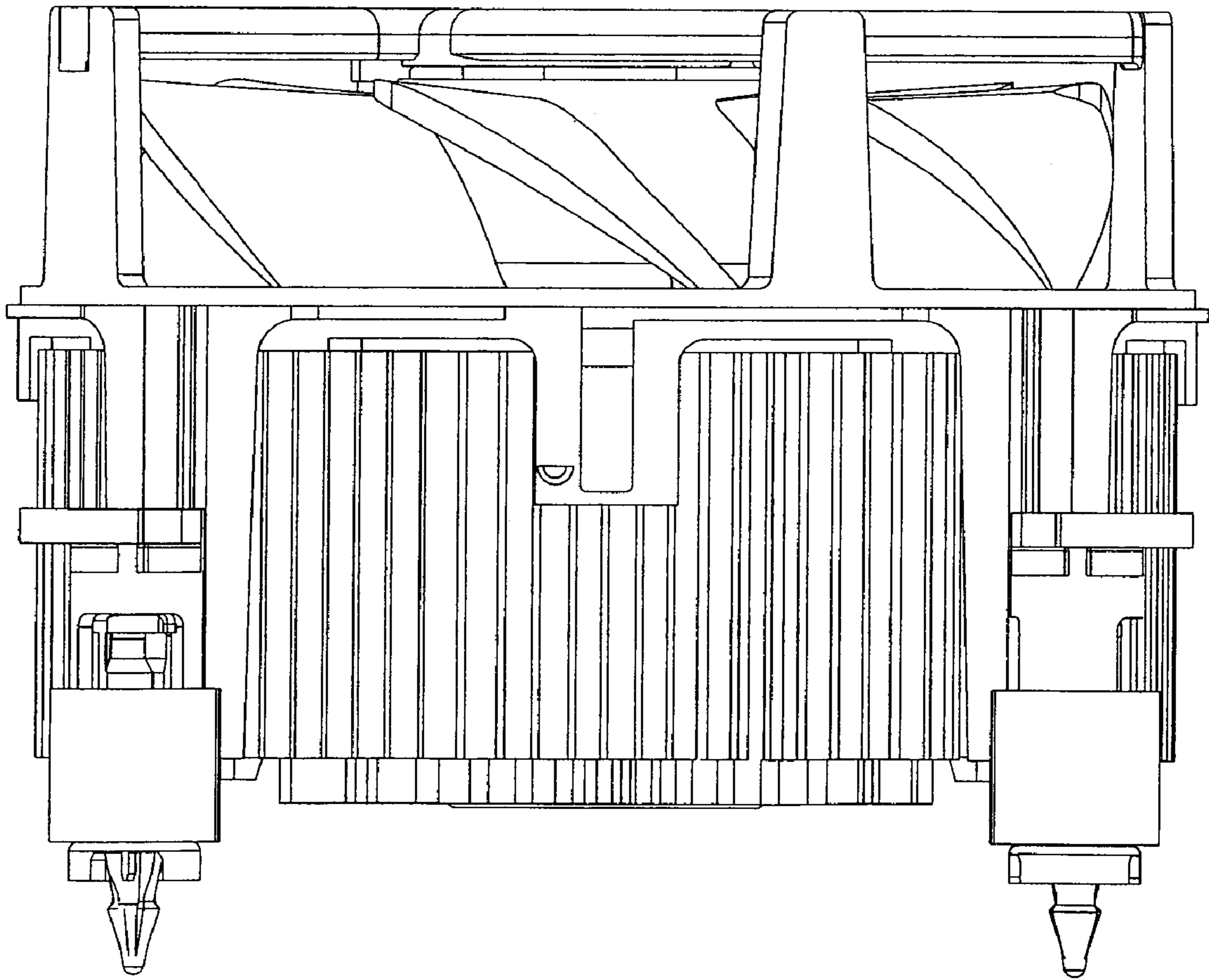


Fig. 7