



US00D561119S

(12) **United States Design Patent**
Korczynski

(10) **Patent No.:** **US D561,119 S**

(45) **Date of Patent:** **** Feb. 5, 2008**

(54) **PORTION OF A FUSE HOLDER**

(75) Inventor: **Jacek Korczynski**, Niles, IL (US)

(73) Assignee: **Cooper Technologies Company**,
Houston, TX (US)

(**) Term: **14 Years**

(21) Appl. No.: **29/261,695**

(22) Filed: **Jun. 19, 2006**

(51) **LOC (8) Cl.** **13-03**

(52) **U.S. Cl.** **D13/178; D13/161**

(58) **Field of Classification Search** D13/160,
D13/161, 178; 439/620.27, 620.33, 620.34
See application file for complete search history.

(56) **References Cited**

U.S. PATENT DOCUMENTS

D265,988	S	*	8/1982	Gordon	D13/178
D276,427	S	*	11/1984	Gordon	D13/178
4,830,631	A	*	5/1989	Hsueh	439/620.33
D309,291	S	*	7/1990	Wharton	D13/161
D394,843	S	*	6/1998	Ohta et al.	D13/178
D403,307	S	*	12/1998	Arzoumanian	D13/178
D421,248	S	*	2/2000	Baccei	D13/178
6,059,609	A	*	5/2000	Nieto	439/620.27
D427,976	S	*	7/2000	Douglass et al.	D13/160
D462,331	S	*	9/2002	Fukumori et al.	D13/161
D478,555	S	*	8/2003	Tomasino	D13/178
2002/0115348	A1	*	8/2002	Fukumori et al.	439/621

OTHER PUBLICATIONS

- Littelfuse (R) 495 Series JCase (R) Data Sheet, May 3, 2005 (1 page).
- Littelfuse (R) Low Profile JCase (R) Data Sheet, Oct. 19, 2004 (1 page).
- Littelfuse (R) 496 Series Data Sheet, May 16, 2005 (1 page).
- Littelfuse (R) 995 Series Data Sheet, May 16, 2005 (1 page).
- Littelfuse (R) BF Inline Data Sheet, Mar. 2005, last update Jul. 6, 2005 (1 page).

* cited by examiner

Primary Examiner—Selina Sikder

Assistant Examiner—Thomas J Johannes

(74) *Attorney, Agent, or Firm*—SAIDMAN DesignLaw Group

(57) **CLAIM**

The ornamental design for a portion of a fuse holder, as shown and described.

DESCRIPTION

This application is co-pending application Ser. No. 11/452,456, filed Jun. 14, 2006, and titled “In-Line Fuse Holder for Female Fuse” to Jacek Korczynski.

FIG. 1 is a perspective view of a portion of a fuse holder showing my new design;

FIG. 2 is another perspective view thereof;

FIG. 3 is a left side view thereof;

FIG. 4 is a bottom view thereof;

FIG. 5 is a perspective view thereof with the fuse cap shown open;

FIG. 6 is a perspective view thereof with the fuse cover removed;

FIG. 7 is a front view thereof with the fuse cover removed;

FIG. 8 is a rear view thereof with the fuse cover removed;

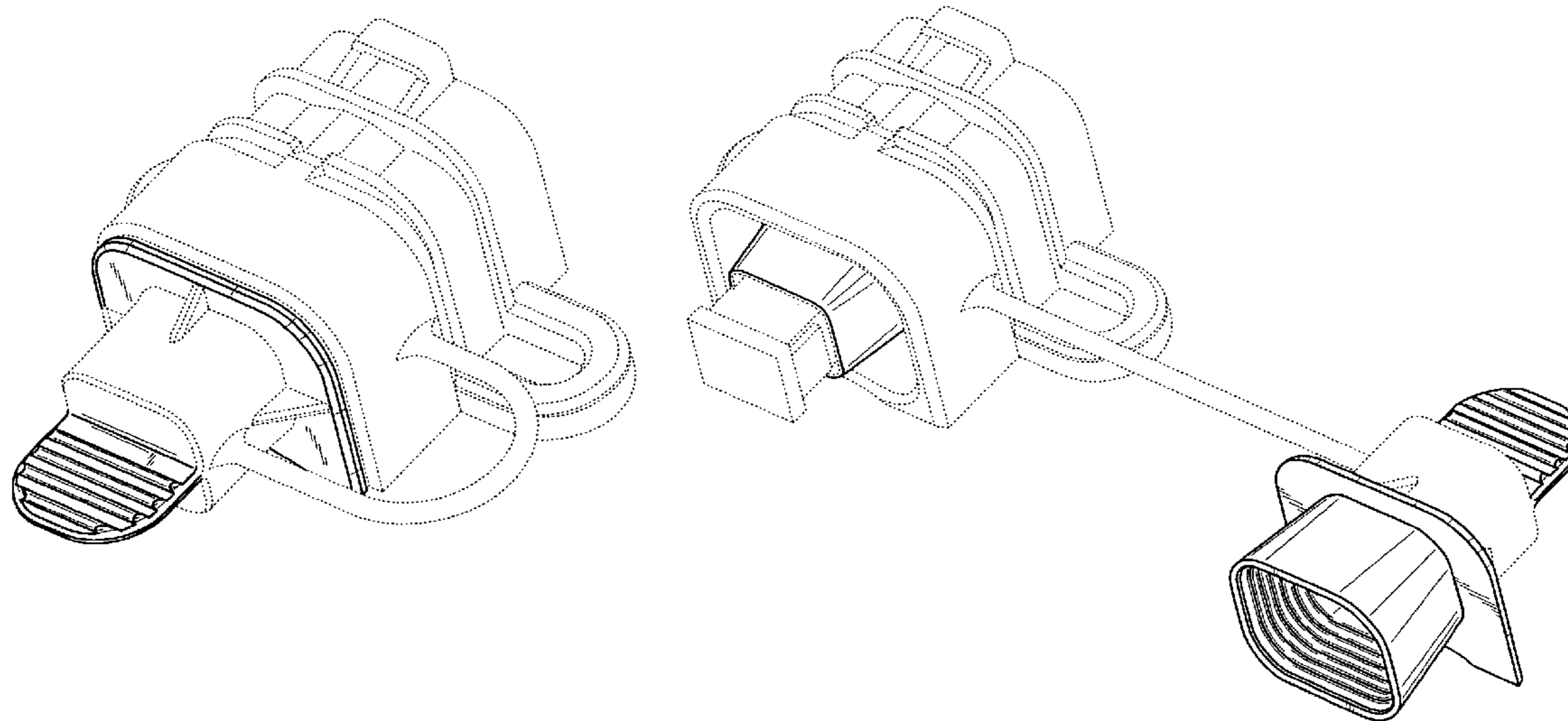
FIG. 9 is a side view thereof with the fuse cover removed;

FIG. 10 is a top view thereof with the fuse cover removed; and,

FIG. 11 is a bottom view thereof with the fuse cover removed.

The broken lines are environmental and form no part of the claimed design.

1 Claim, 7 Drawing Sheets



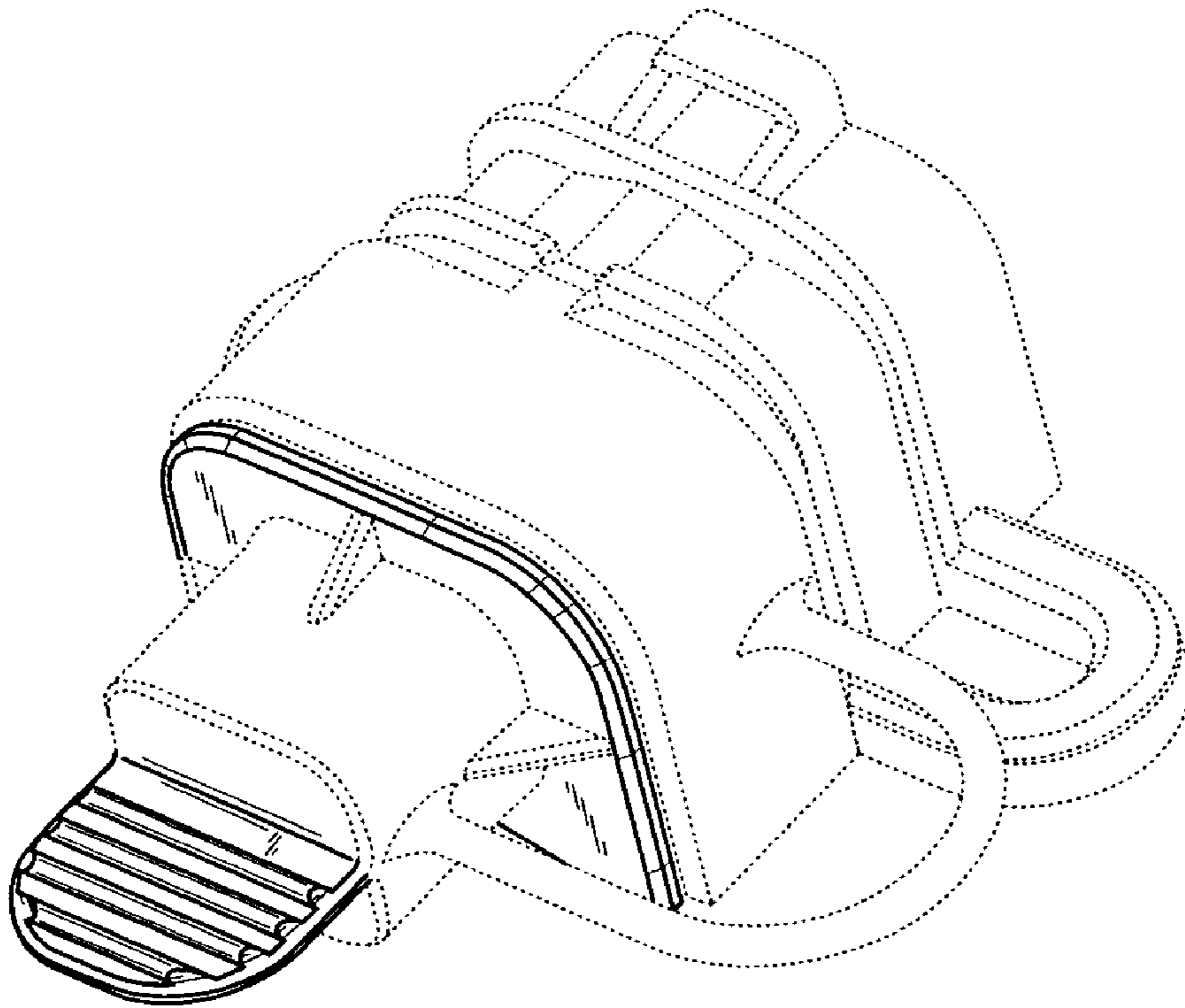


Fig. 1

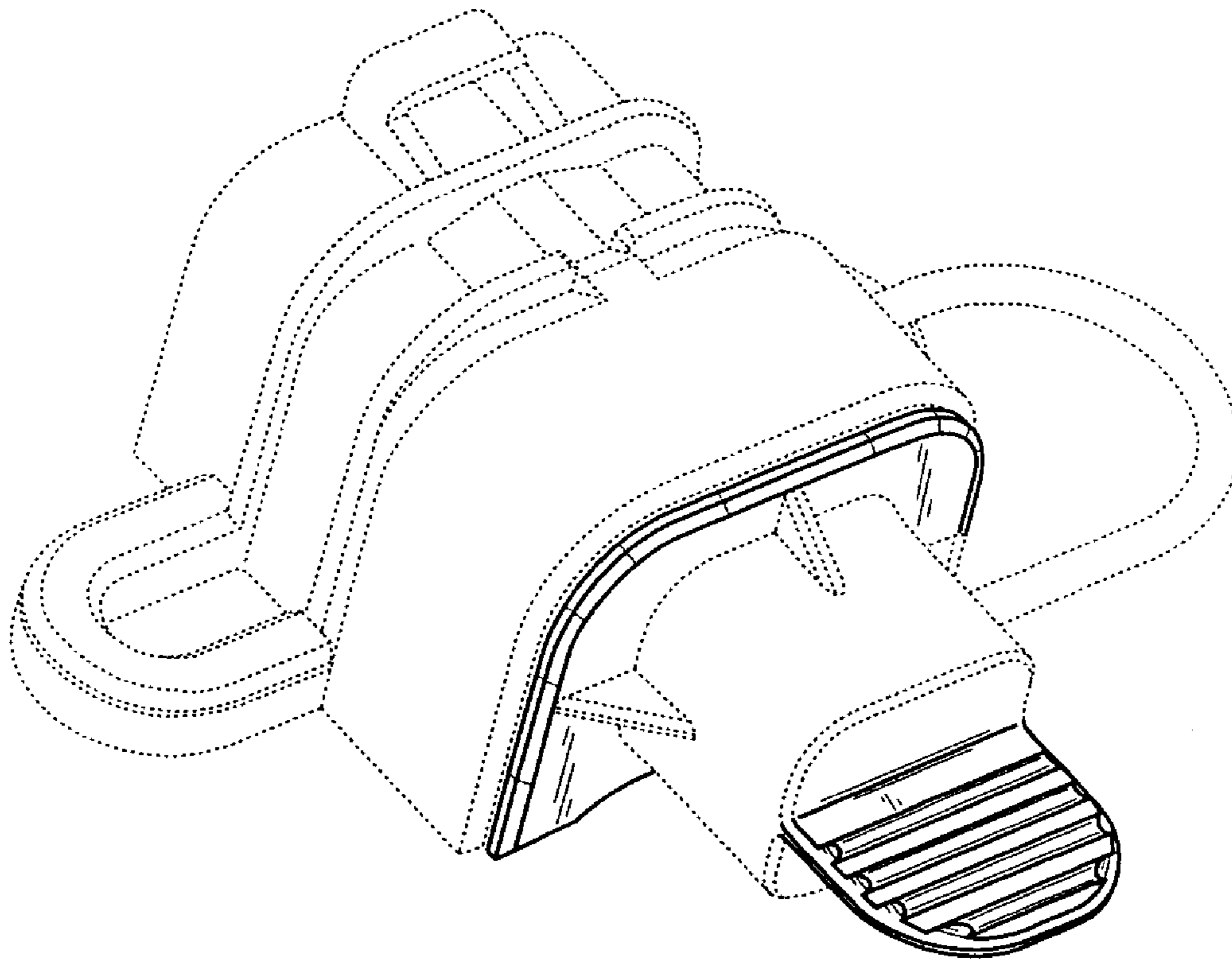


Fig. 2

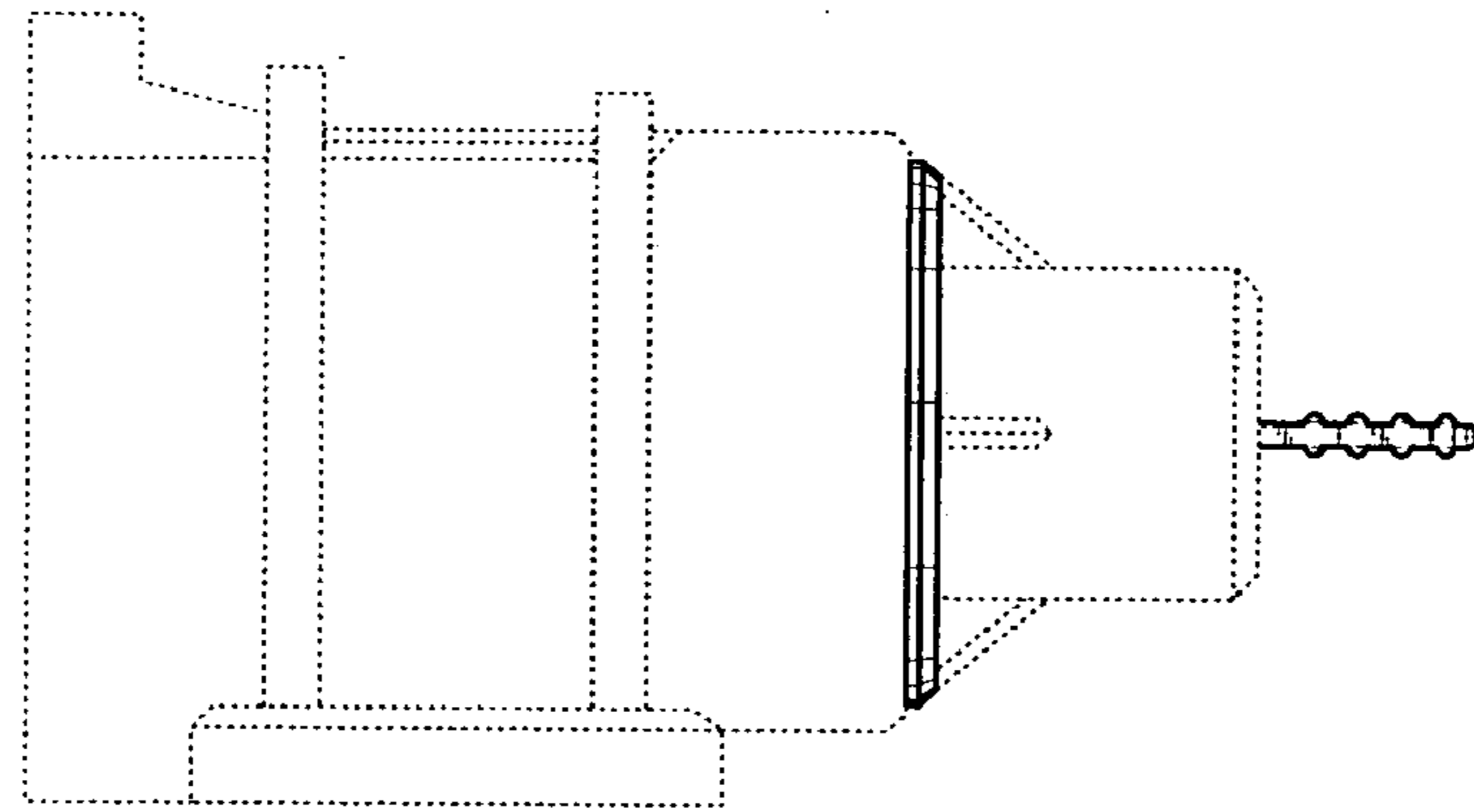


Fig. 3

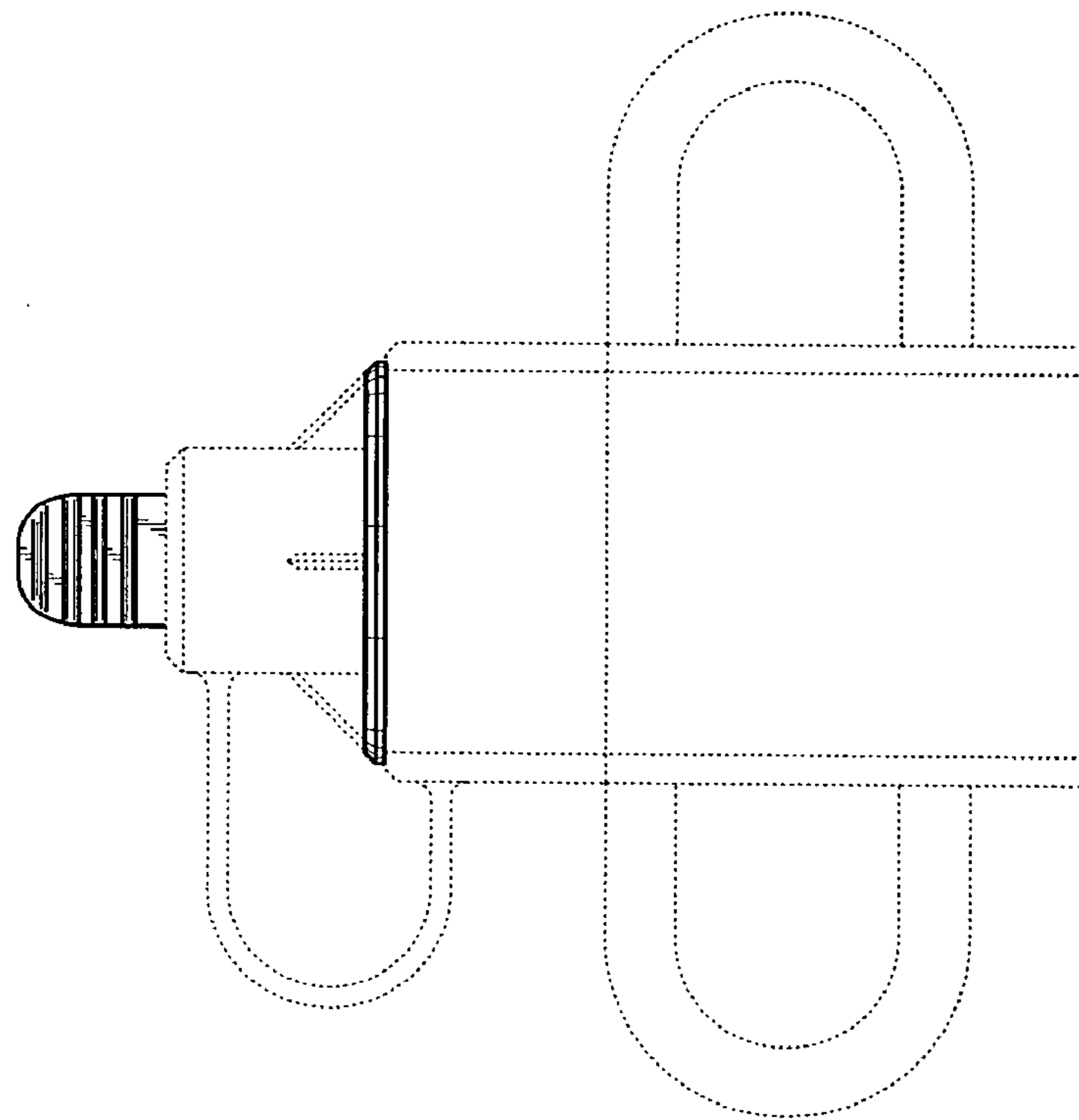


Fig. 4

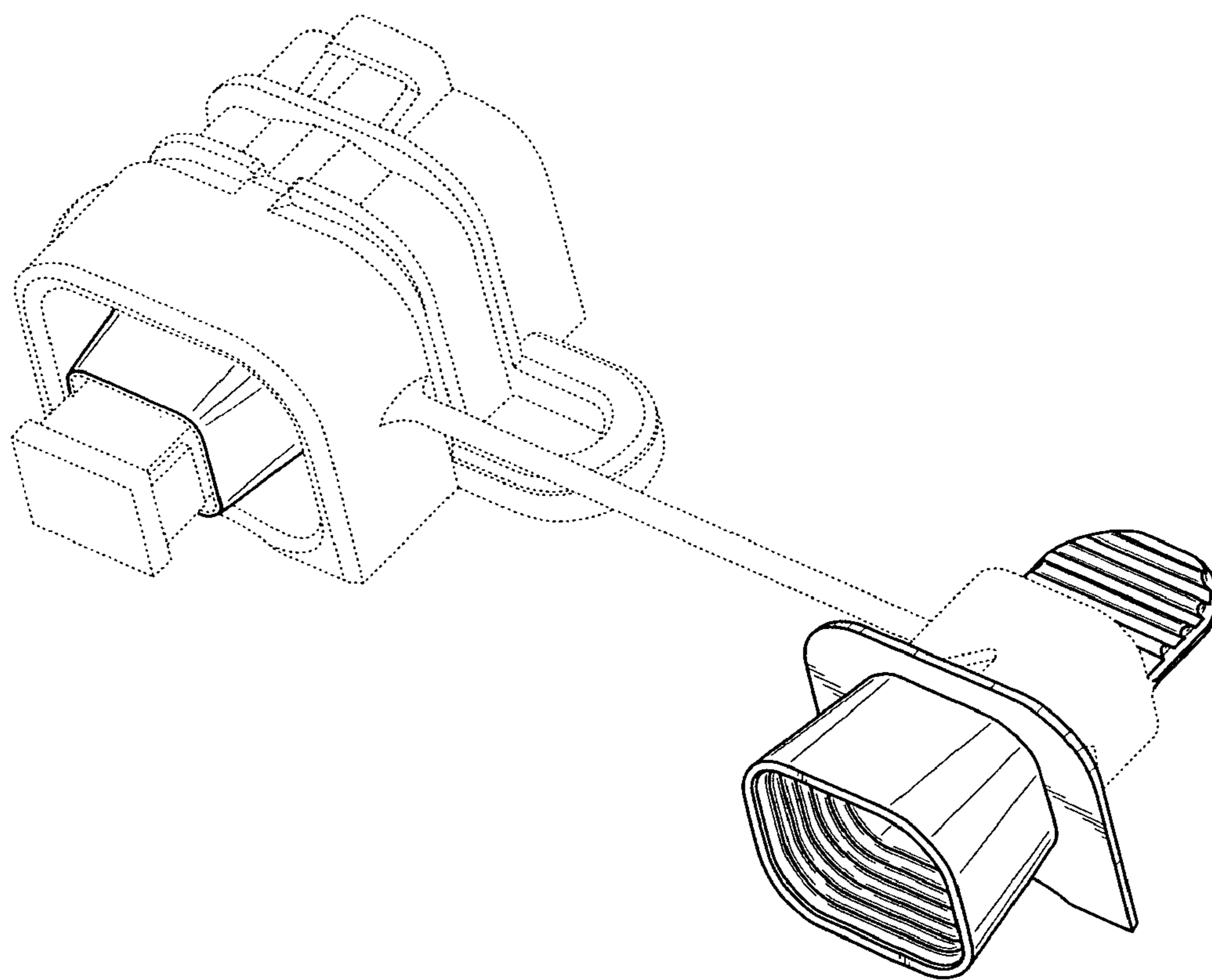


Fig. 5

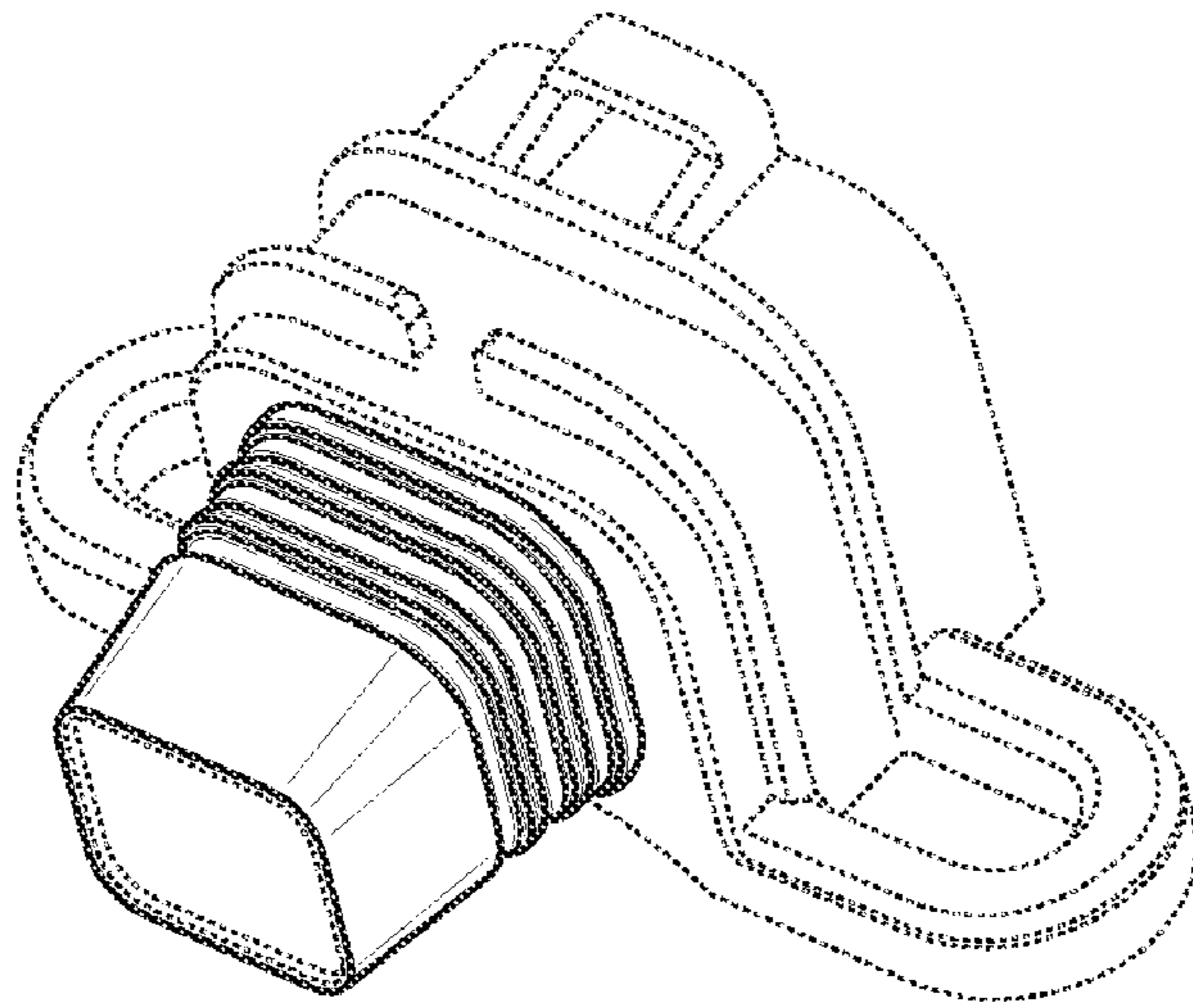


Fig. 6

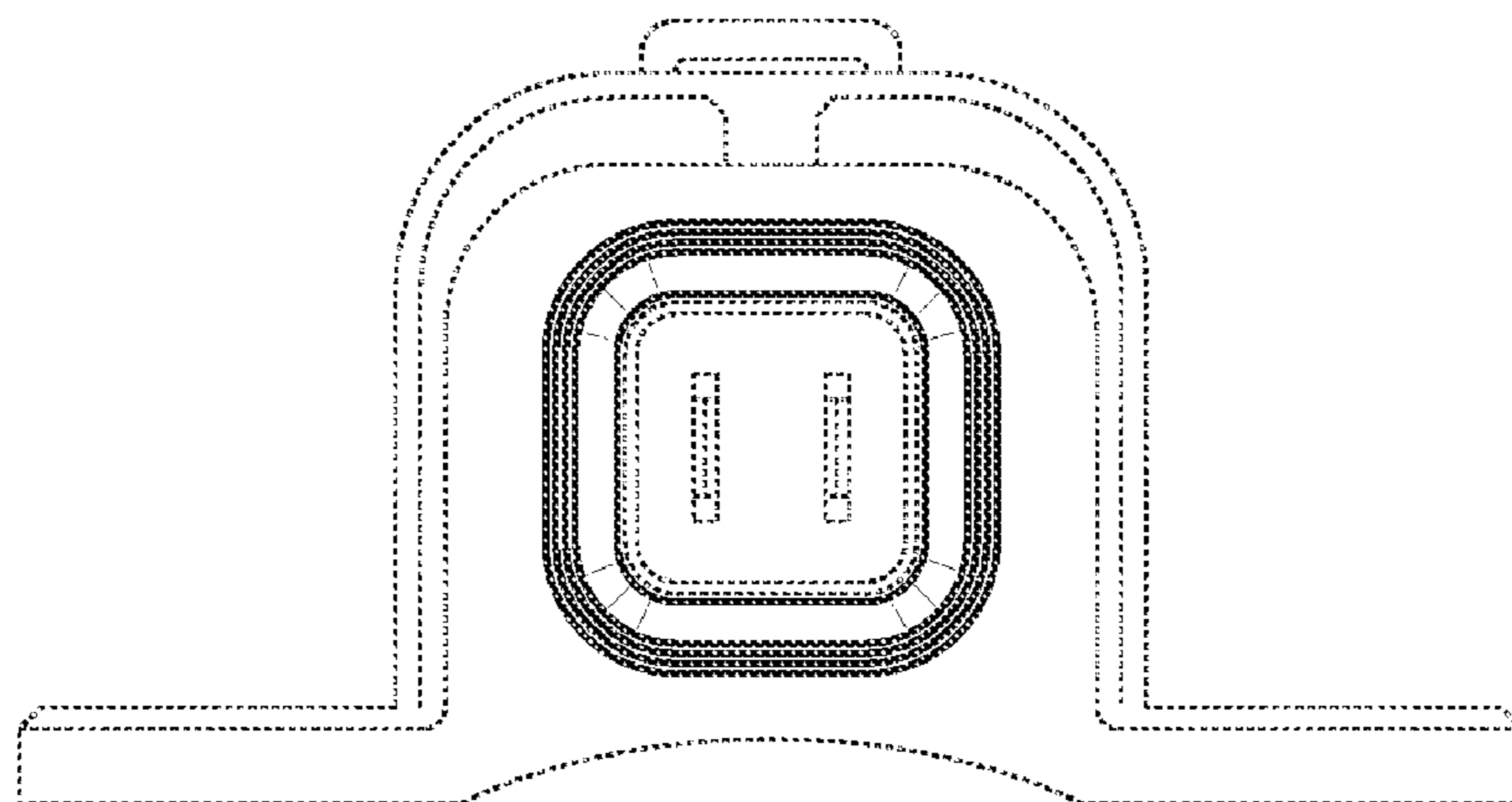


Fig. 7

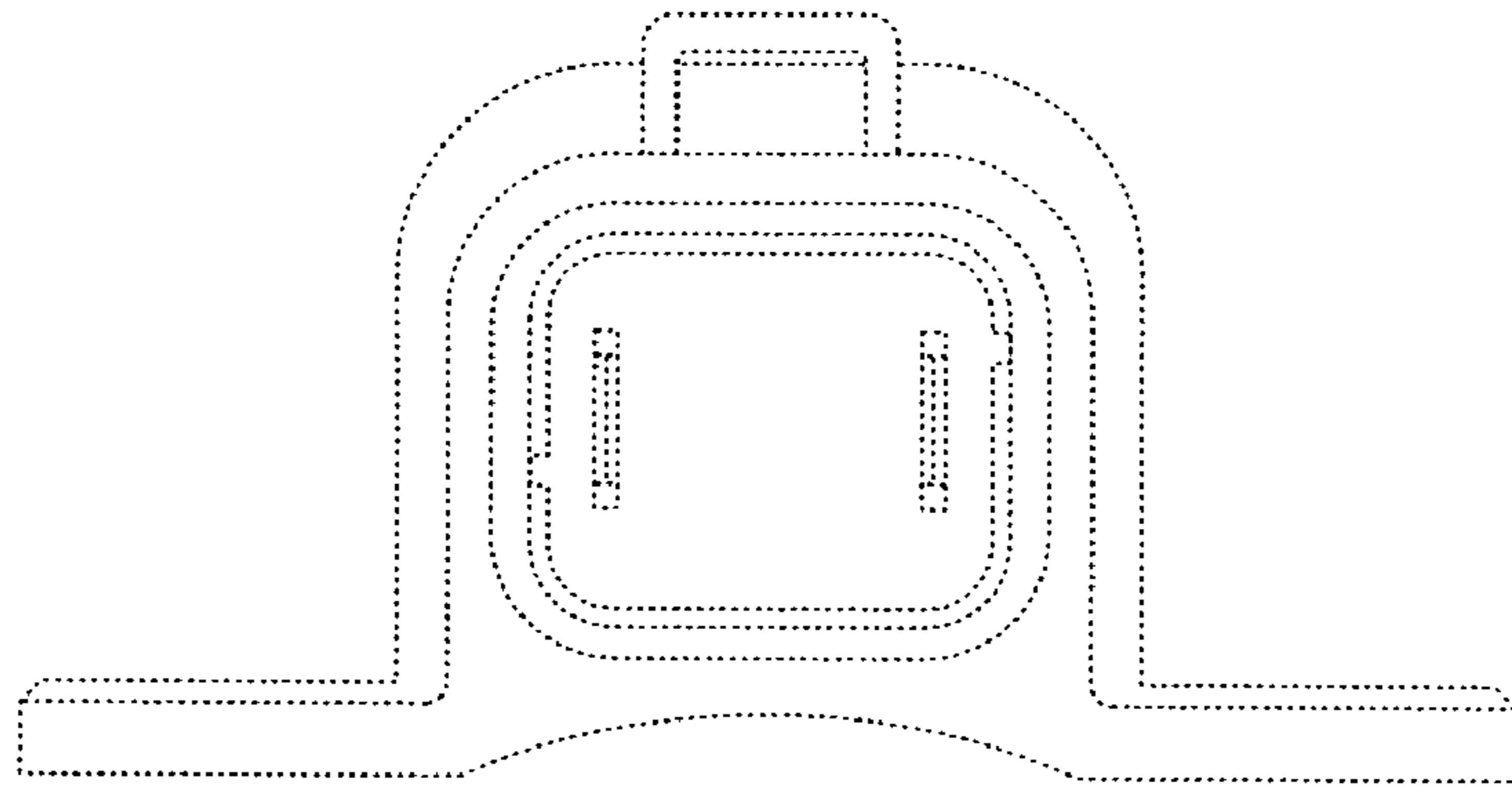


Fig. 8

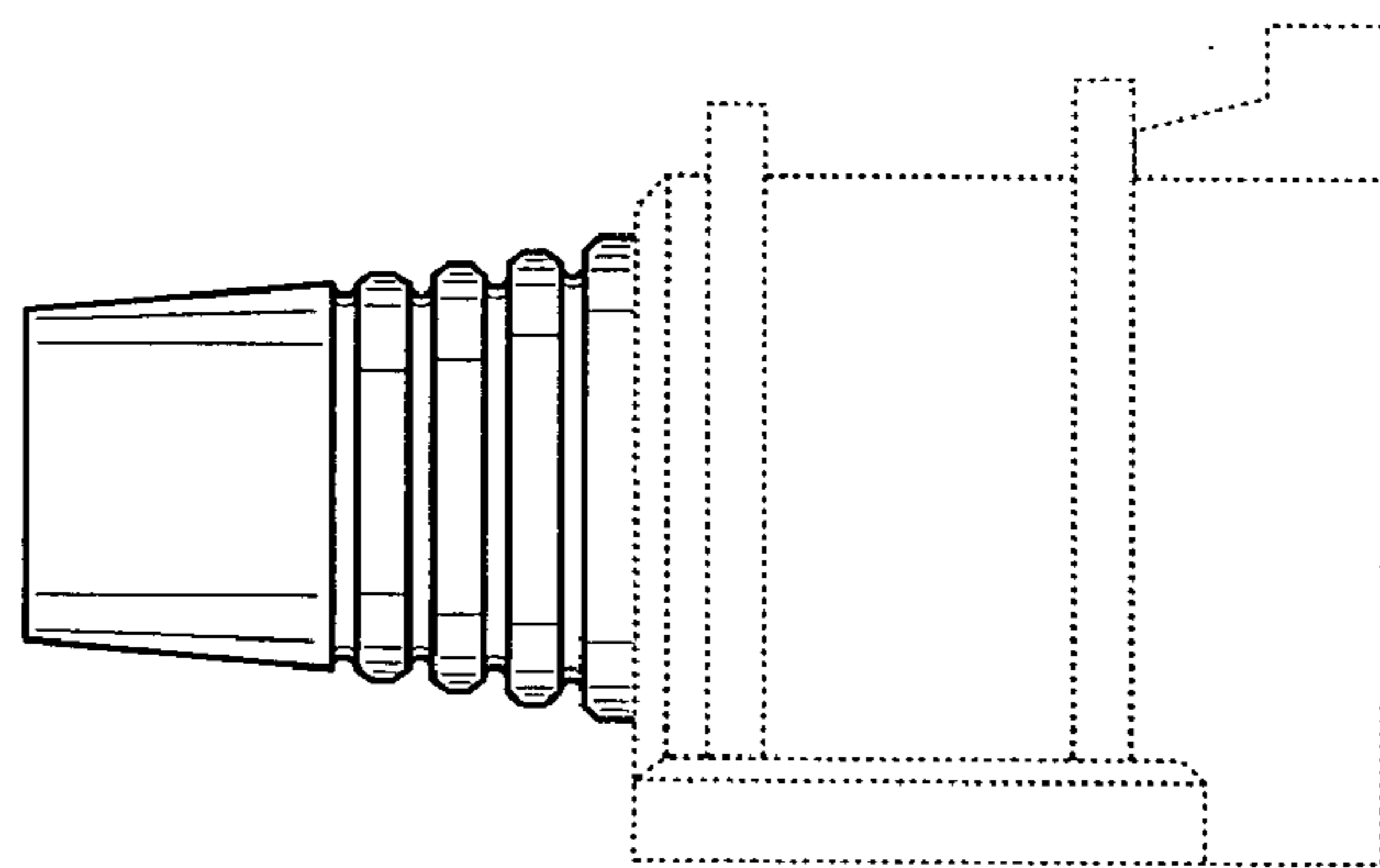


Fig. 9

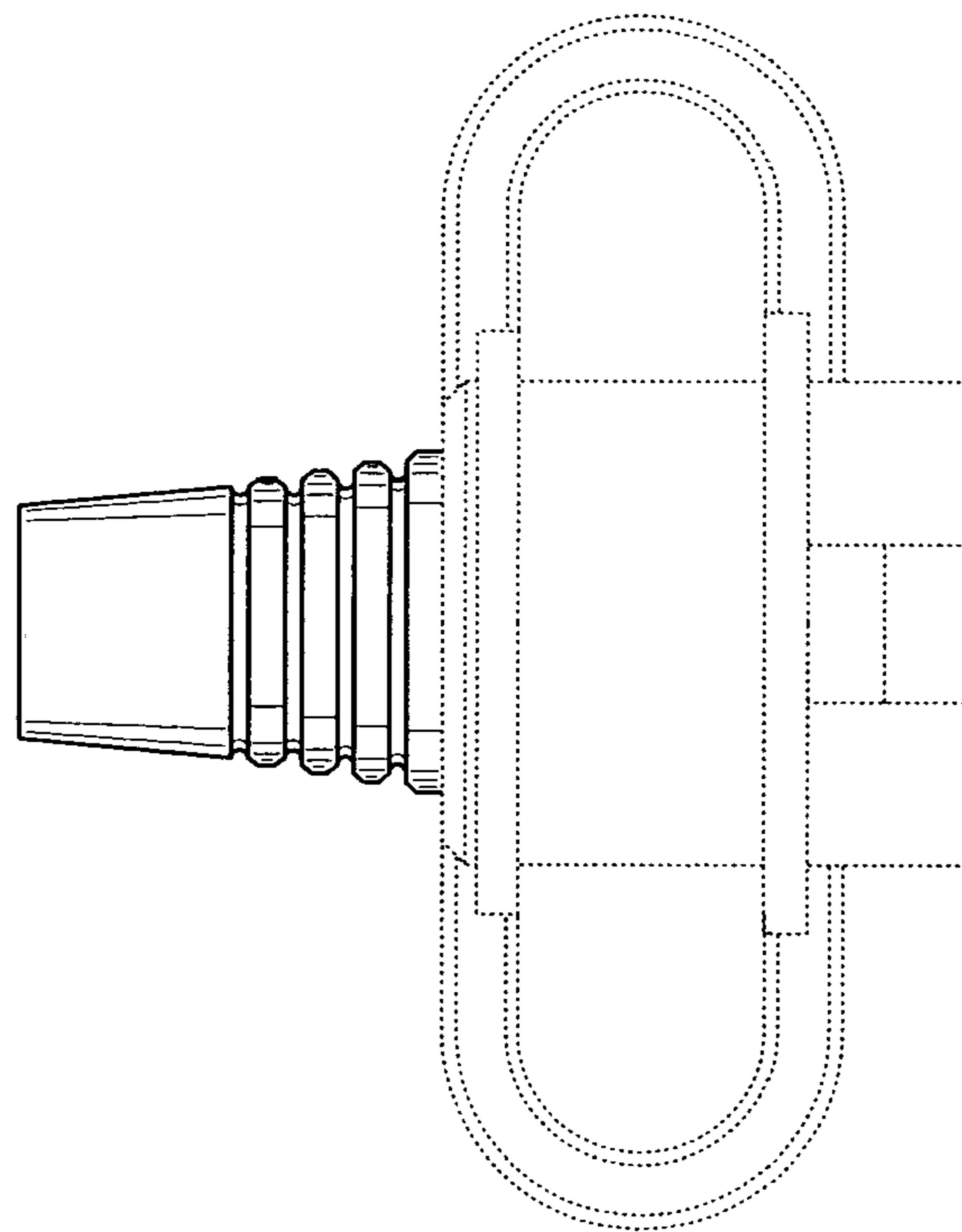


Fig. 10

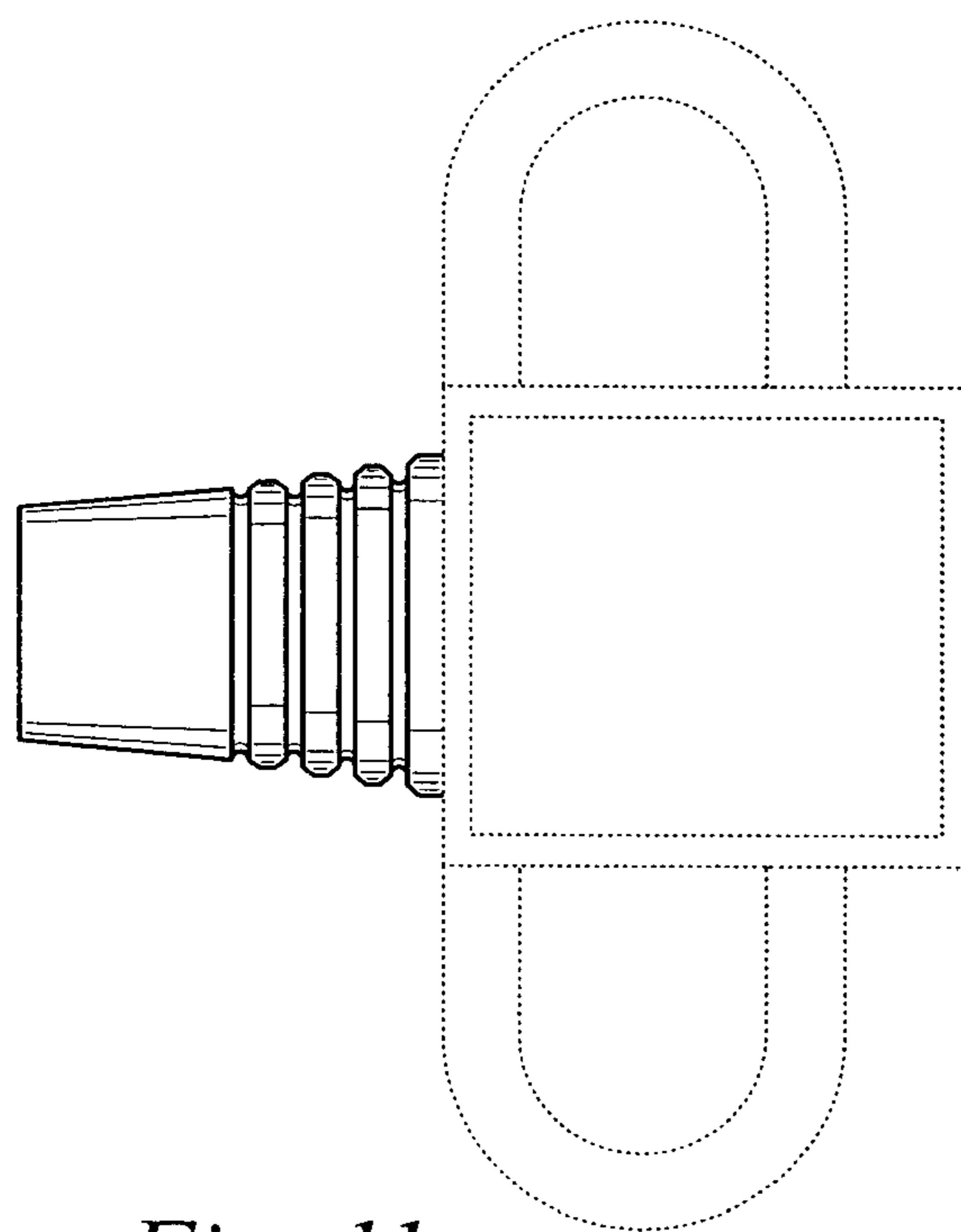


Fig. 11