



US00D561118S

(12) **United States Design Patent**
Ni

(10) **Patent No.:** **US D561,118 S**

(45) **Date of Patent:** **** Feb. 5, 2008**

(54) **DIMMER**

D479,205 S * 9/2003 Krajci et al. D13/171
D527,713 S * 9/2006 Indio da Costa D13/171
D545,664 S * 7/2007 Fields D8/310

(75) Inventor: **LiDong Ni, Yueqing (CN)**

(73) Assignee: **Use Lighting Control, Inc., El Monte, CA (US)**

* cited by examiner

(**) Term: **14 Years**

Primary Examiner—Selina Sikder

Assistant Examiner—Thomas J Johannes

(21) Appl. No.: **29/272,063**

(74) *Attorney, Agent, or Firm*—Law Offices of S. J. Christine Yang

(22) Filed: **Jan. 31, 2007**

(57) **CLAIM**

(51) **LOC (8) Cl.** **13-03**

The ornamental design for a dimmer, as shown and described.

(52) **U.S. Cl.** **D13/171**

(58) **Field of Classification Search** D13/125,
D13/158–177, 184, 199; D8/310, 311; 200/310,
200/314, 329, 4, 406, 524, 530, 532, 535–6,
200/6 A, 81 R, 5 R

DESCRIPTION

See application file for complete search history.

FIG. 1 is a perspective front view of a dimmer, showing my new design;

FIG. 2 is a front view thereof;

FIG. 3 is a side view thereof, the opposite side being a mirror image; and,

FIG. 4 is a top view thereof, the bottom view being the same.

The rear view is unornamented.

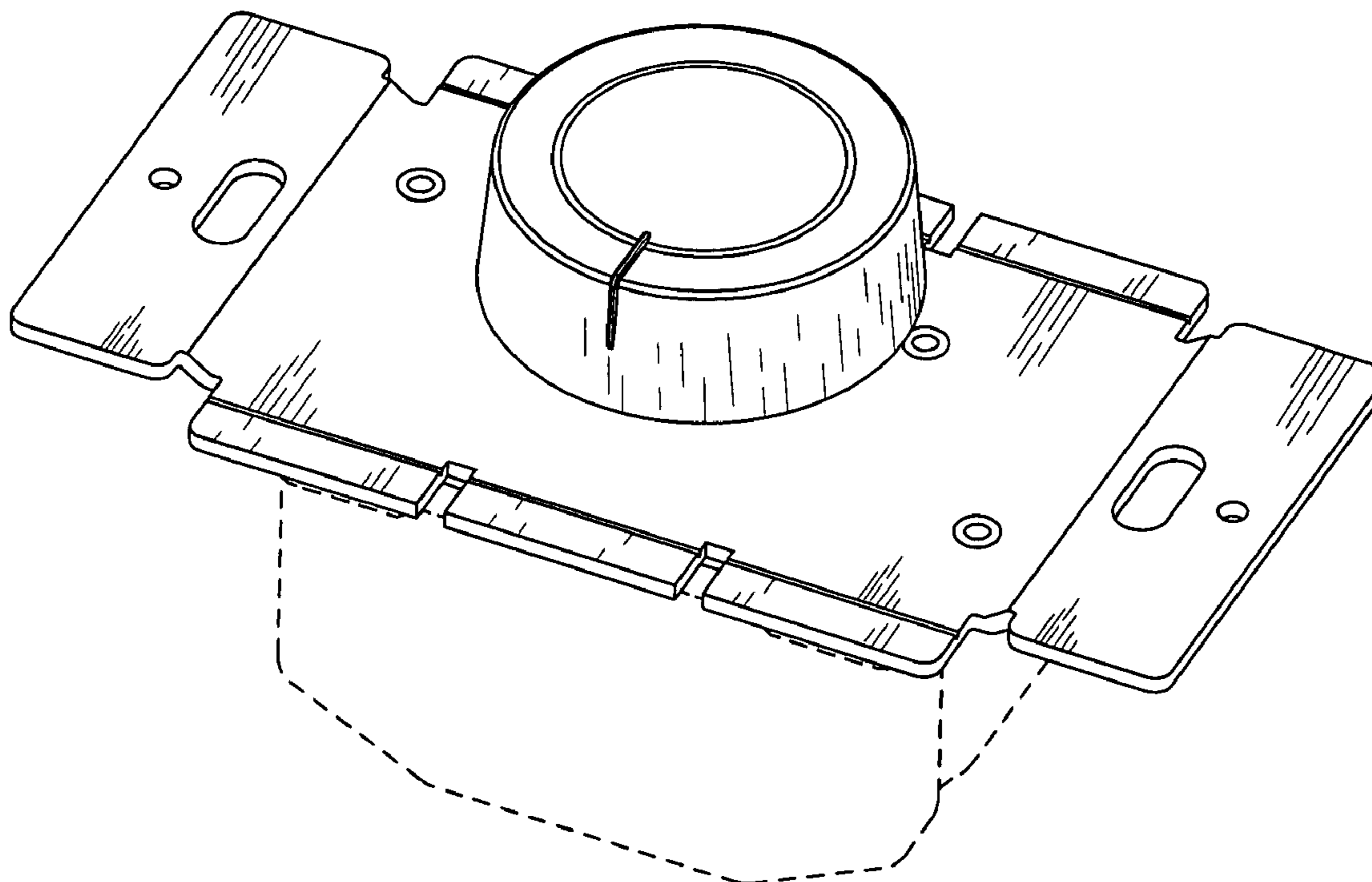
The broken line showing in the figure drawings is included for illustrative purposes only and forms no part of the claimed design.

(56) **References Cited**

U.S. PATENT DOCUMENTS

4,133,990 A * 1/1979 Wanner et al. 200/6 B
D343,164 S * 1/1994 Miyazawa D13/162
D361,985 S * 9/1995 Snyder D13/177
D381,313 S * 7/1997 Krajci et al. D13/125
D400,778 S * 11/1998 Holbrook, Jr. D8/311
D444,695 S * 7/2001 Decosse D8/311
D473,851 S * 4/2003 Krajci et al. D13/162
D477,286 S * 7/2003 Krajci et al. D13/162

1 Claim, 4 Drawing Sheets



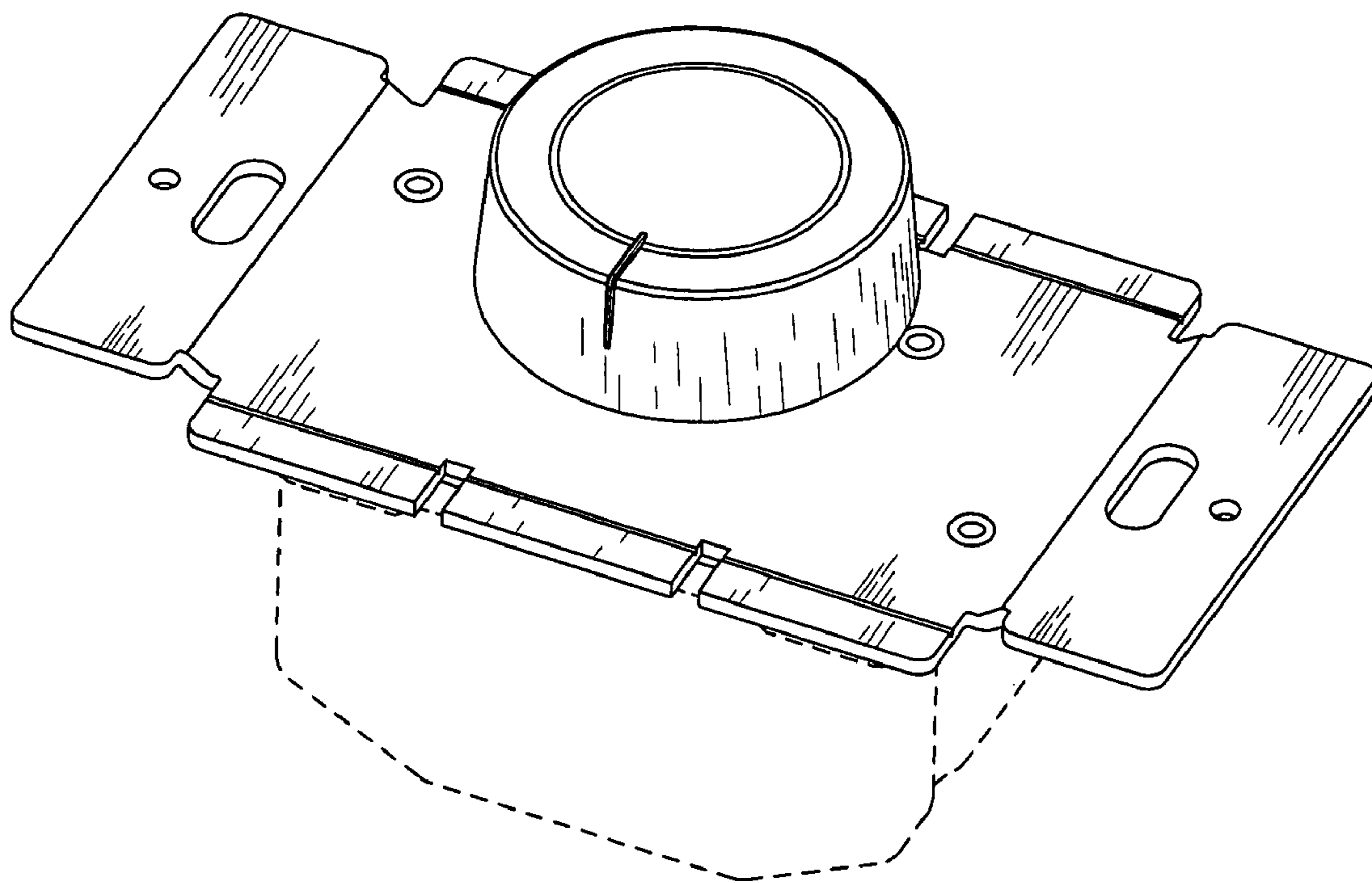


FIG. 1

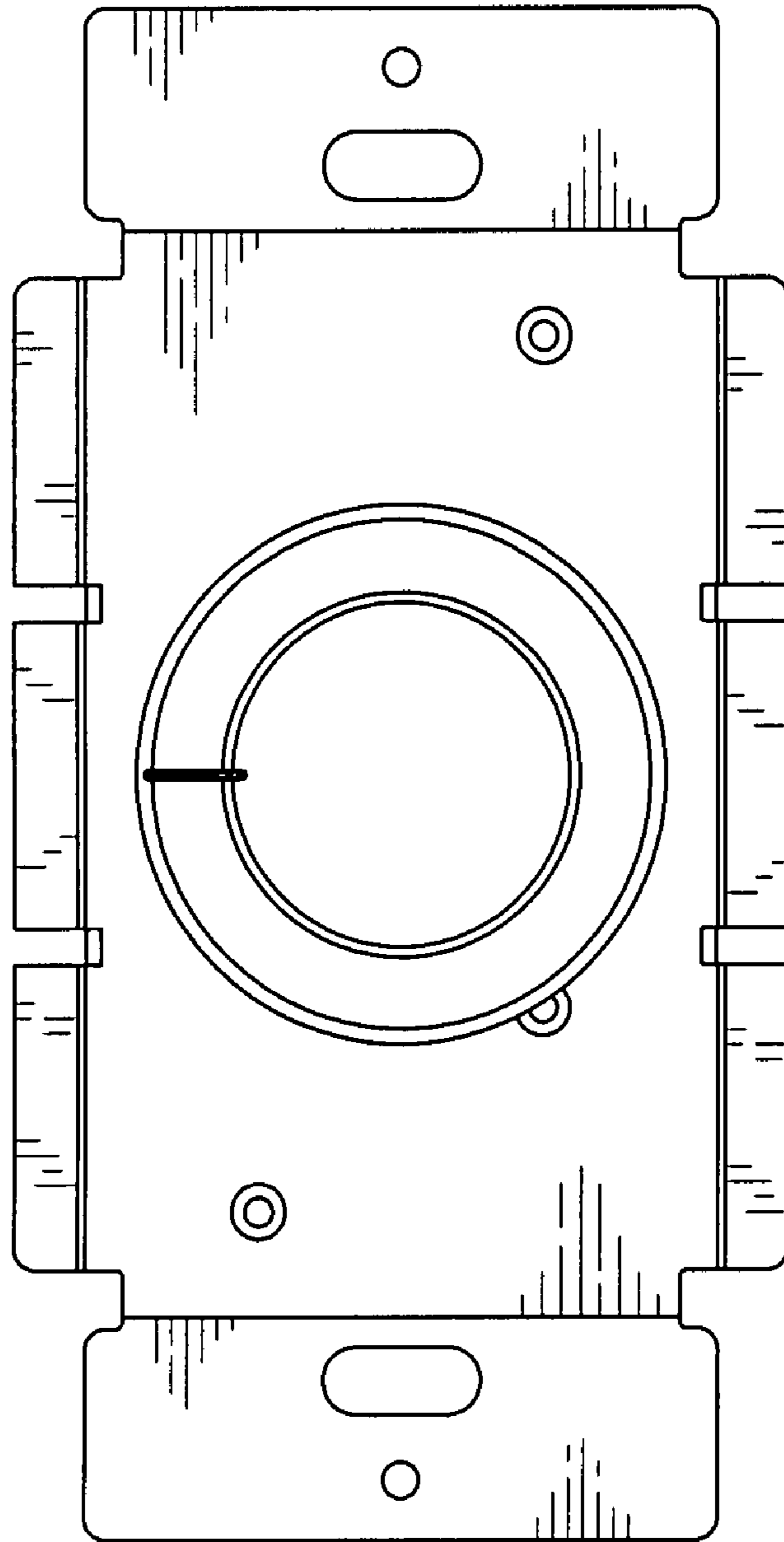


FIG. 2

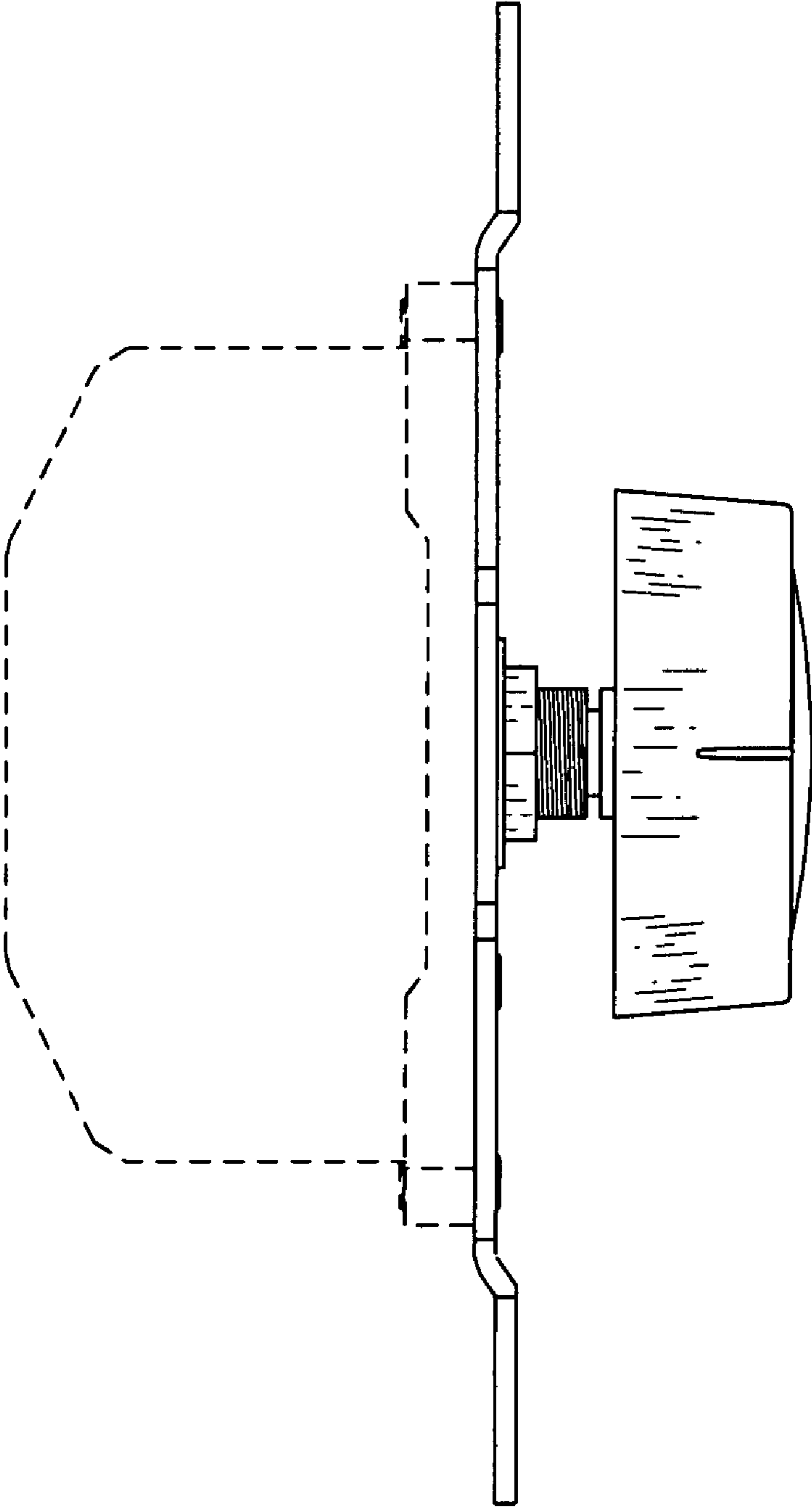


FIG. 3

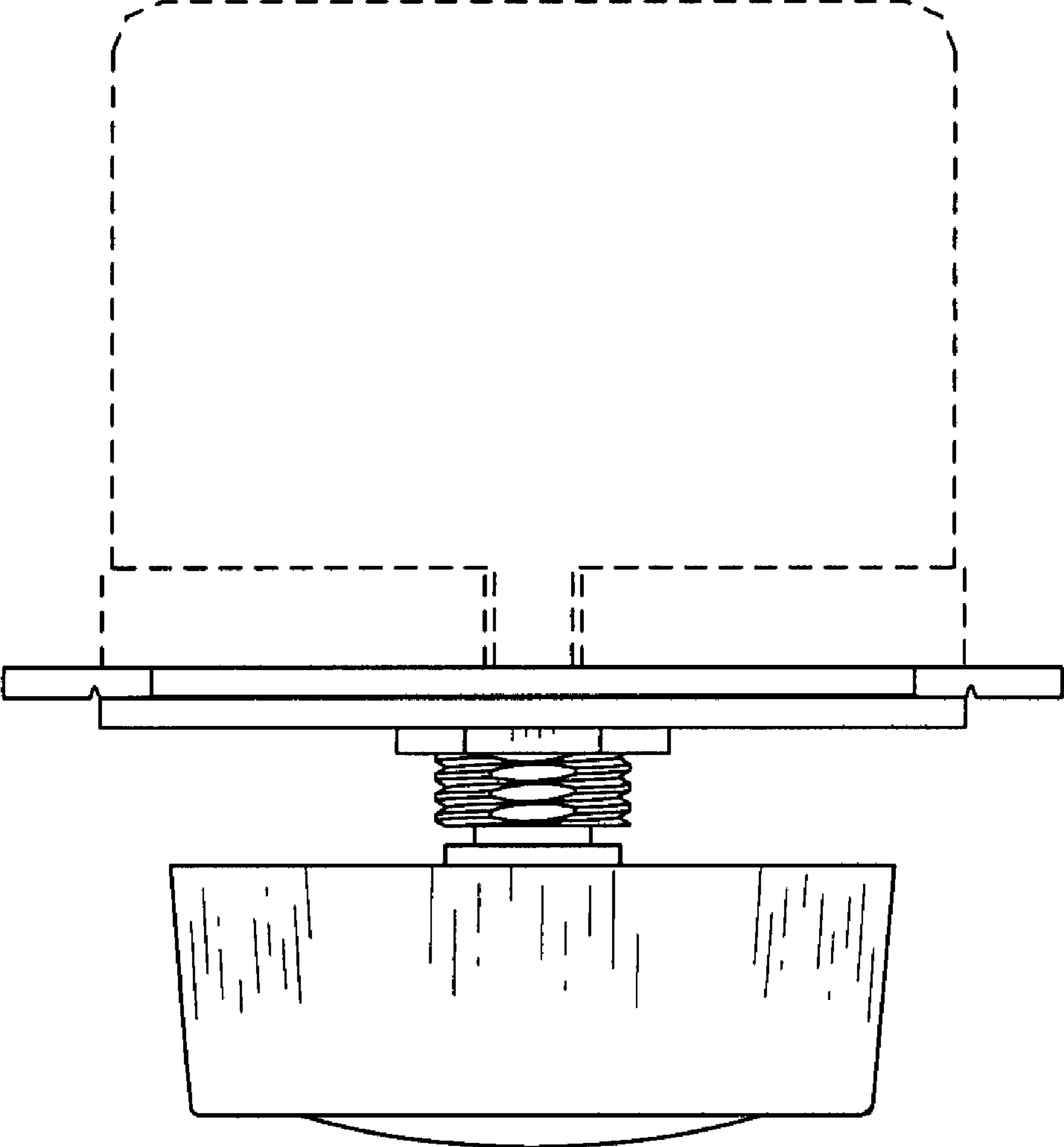


FIG. 4