



US00D561117S

(12) **United States Design Patent**
Ni

(10) **Patent No.:** **US D561,117 S**

(45) **Date of Patent:** **** Feb. 5, 2008**

(54) **FAN SPEED CONTROL**

D479,205 S * 9/2003 Krajci et al. D13/171
D527,713 S * 9/2006 Indio da Costa D13/171
D545,664 S * 7/2007 Fields D8/310

(75) Inventor: **LiDong Ni**, Yueqing (CN)

(73) Assignee: **Use Lighting Control, Inc.**, El Monte,
CA (US)

* cited by examiner

(**) Term: **14 Years**

Primary Examiner—Selina Sikder

Assistant Examiner—Thomas J Johannes

(21) Appl. No.: **29/272,058**

(74) *Attorney, Agent, or Firm*—Law Offices of S.J. Christine
Yang

(22) Filed: **Jan. 31, 2007**

(57) **CLAIM**

(51) **LOC (8) Cl.** **13-03**

The ornamental design for a fan speed control, as shown and
described.

(52) **U.S. Cl.** **D13/171**

(58) **Field of Classification Search** D13/125,
D13/158–177, 184, 199; D8/310, 311; 200/310,
200/314, 329, 4, 406, 524, 530, 532, 536–6,
200/6 A, 81 R, 5 R

DESCRIPTION

See application file for complete search history.

FIG. 1 is a perspective front view of a fan speed control,
showing my new design;

FIG. 2 is a front view thereof;

FIG. 3 is a side view thereof, the opposite side being a mirror
image; and,

FIG. 4 is a top view thereof, the bottom view being the same.

The rear view is unornamented.

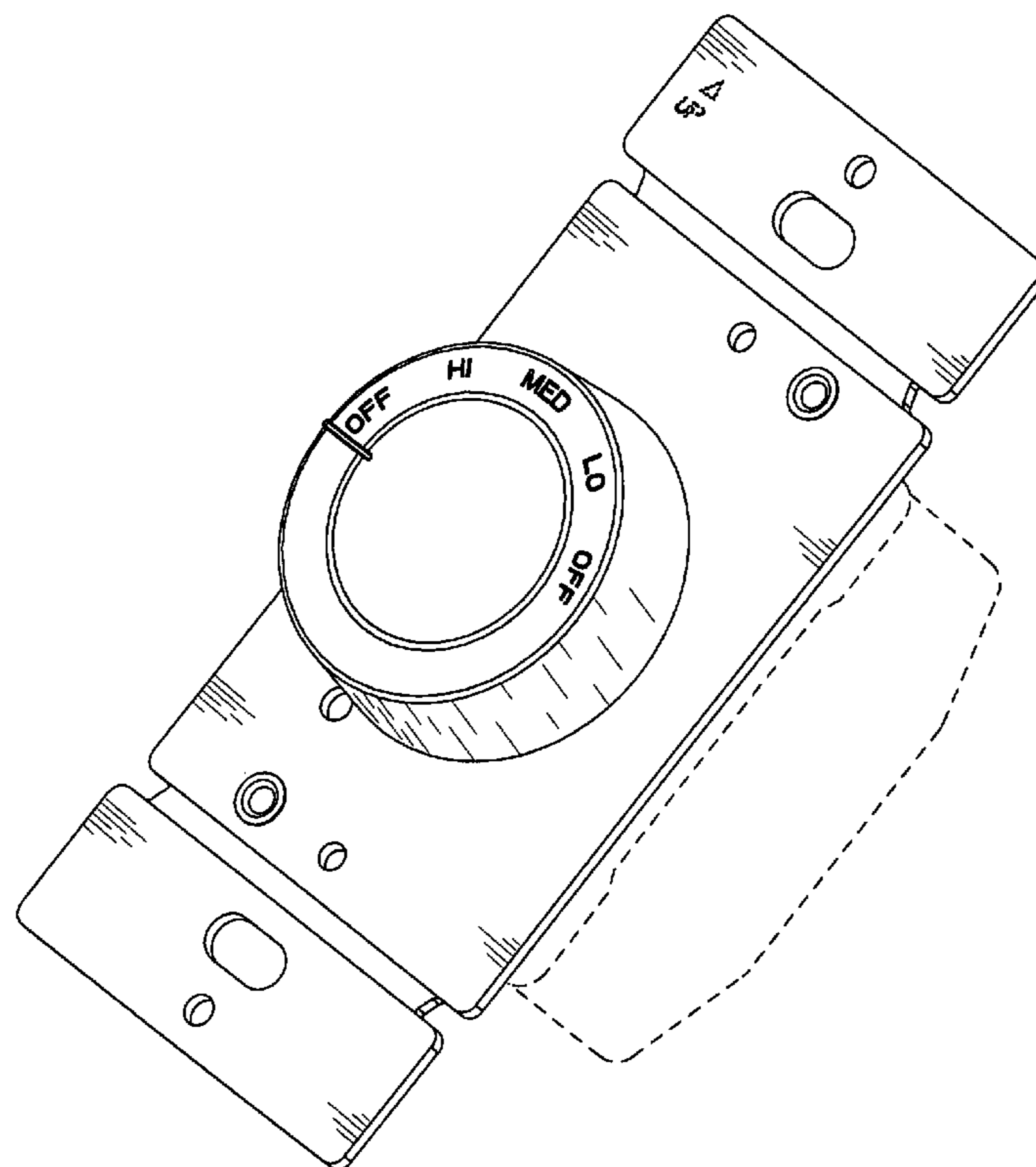
The broken line showing in the figure drawings is included
for illustrative purposes only and forms no part of the
claimed design.

(56) **References Cited**

U.S. PATENT DOCUMENTS

- 4,133,990 A * 1/1979 Wanner et al. 200/6 B
- D343,164 S * 1/1994 Miyazawa D13/162
- D361,985 S * 9/1995 Snyder D13/177
- D381,313 S * 7/1997 Krajci et al. D13/125
- D400,778 S * 11/1998 Holbrook, Jr. D8/311
- D444,695 S * 7/2001 Decosse D8/311
- D473,851 S * 4/2003 Krajci et al. D13/162
- D477,286 S * 7/2003 Krajci et al. D13/162

1 Claim, 4 Drawing Sheets



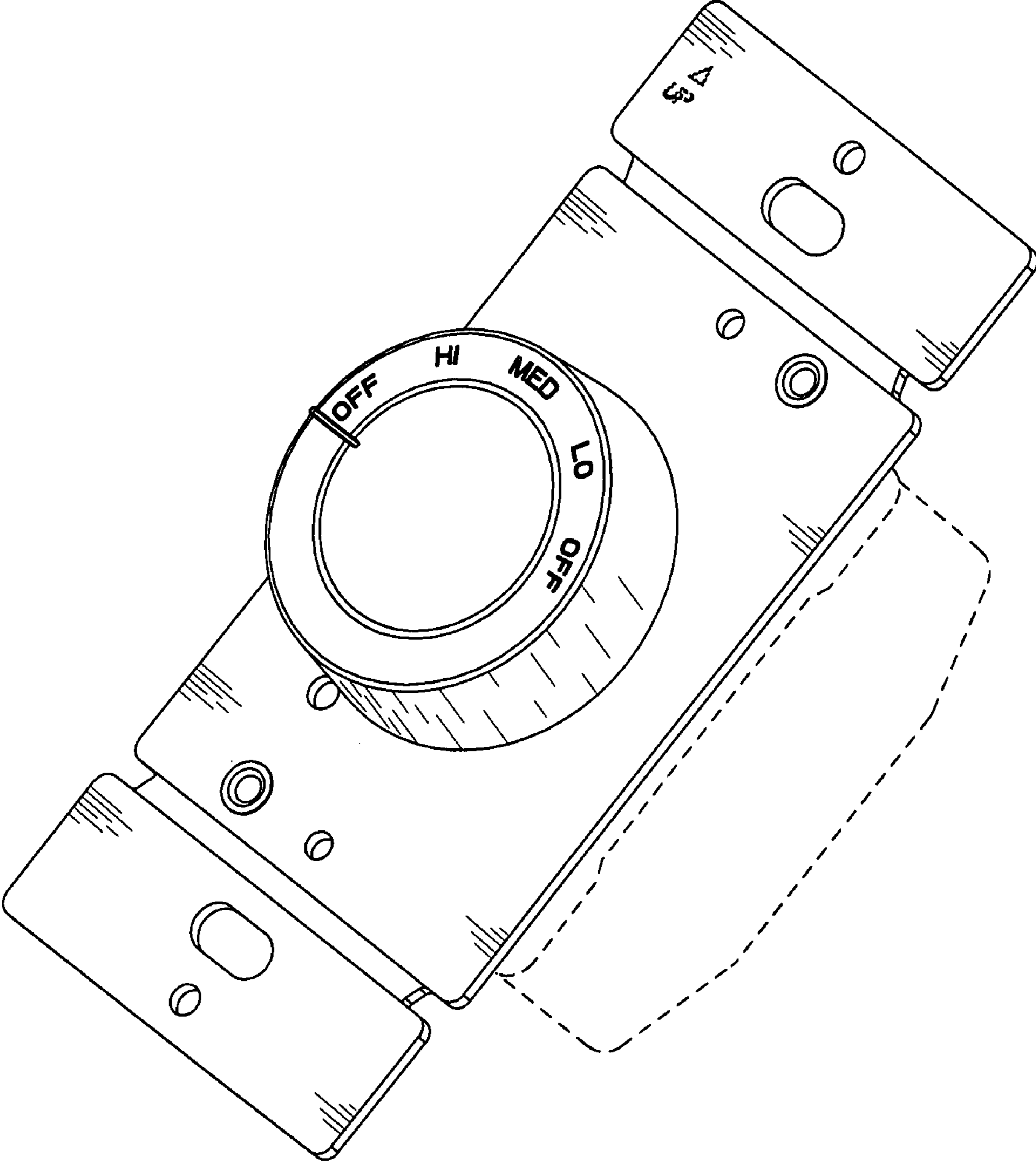


FIG. 1

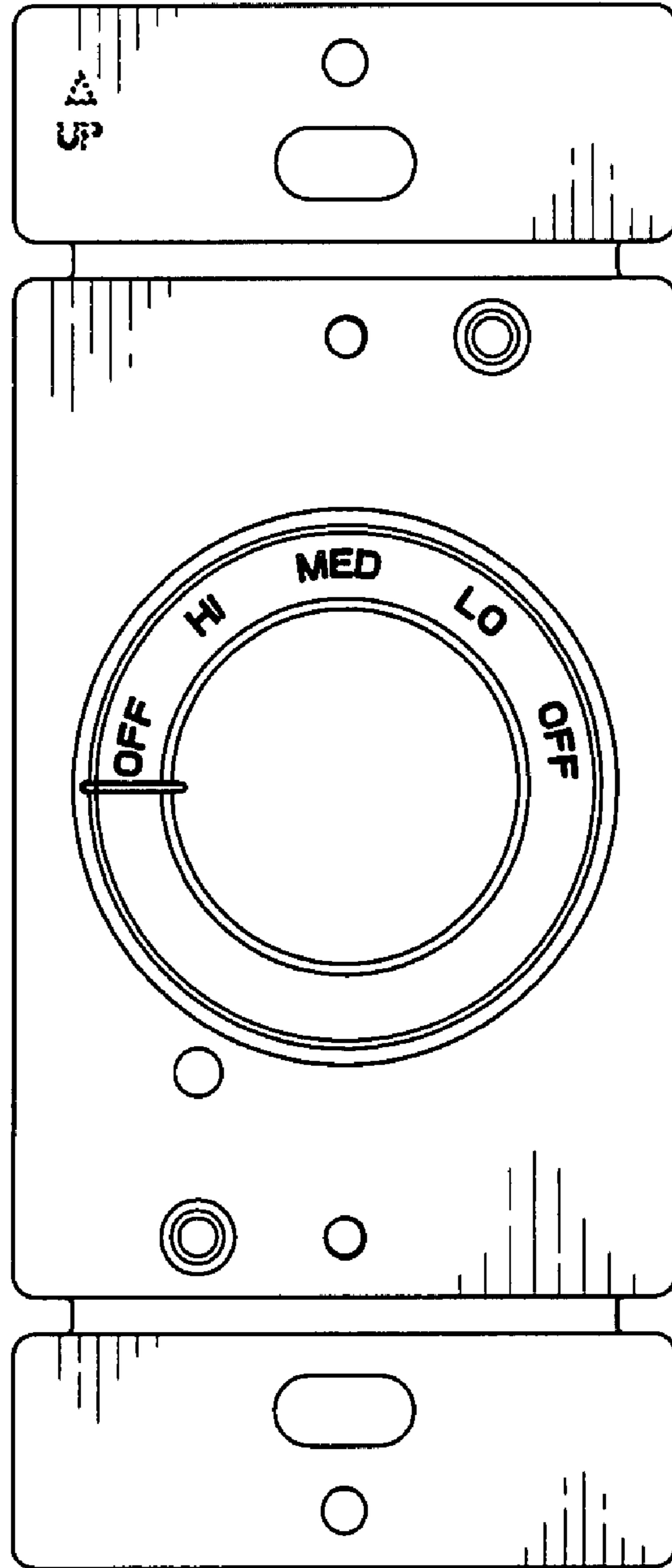


FIG. 2

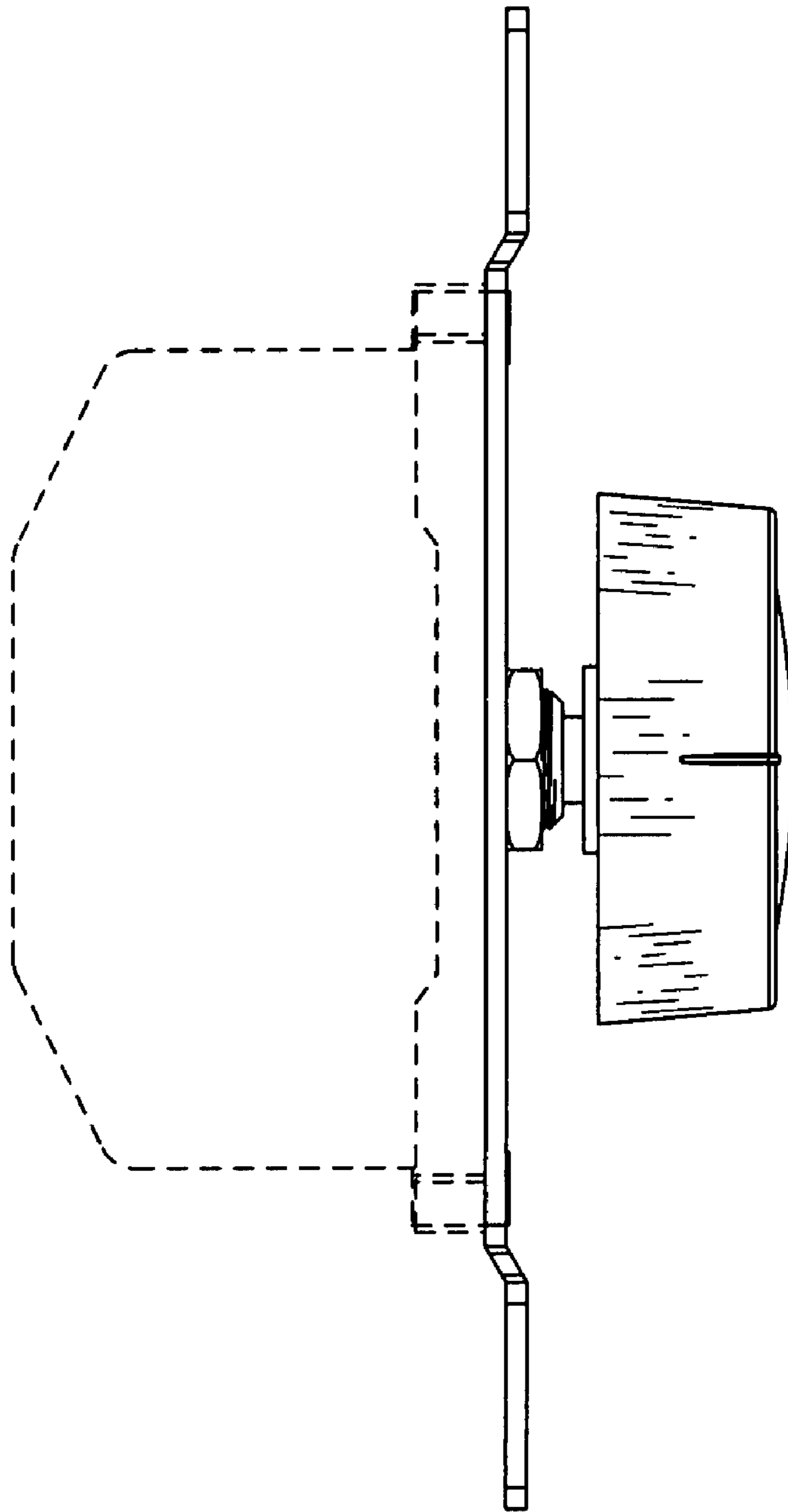


FIG. 3

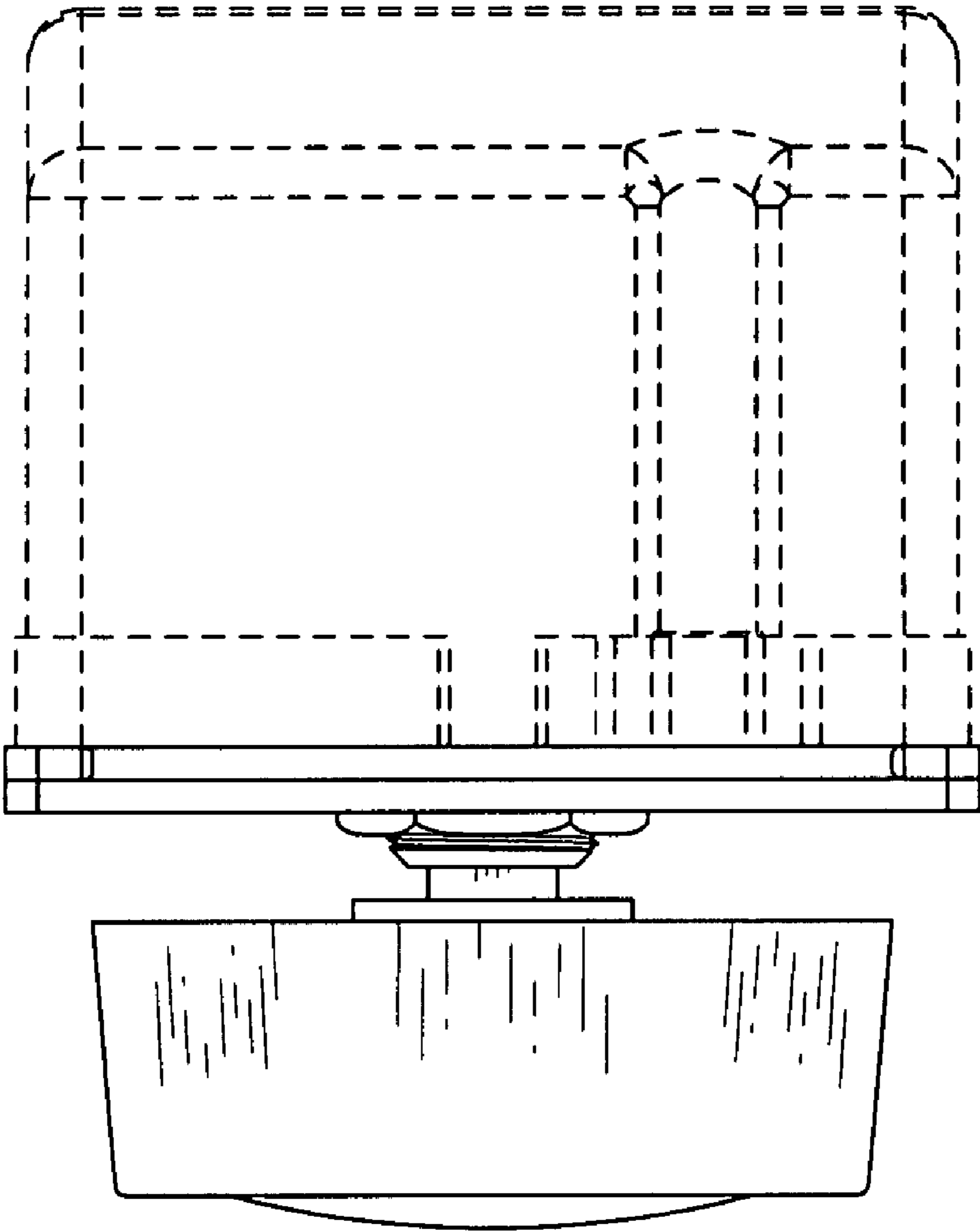


FIG. 4