



US00D561111S

(12) **United States Design Patent**
Howard

(10) **Patent No.:** **US D561,111 S**
(45) **Date of Patent:** **** Feb. 5, 2008**

(54) **MALE/FEMALE CONNECTOR ASSEMBLY
FOR CONNECTING ELECTRICAL
CONDUCTORS**

(76) **Inventor:** **Stephen M Howard**, 5045 Lake Vista,
The Colony, TX (US) 76056

(**) **Term:** **14 Years**

(21) **Appl. No.:** **29/222,383**

(22) **Filed:** **Jan. 27, 2005**

(51) **LOC (8) Cl.** **13-03**

(52) **U.S. Cl.** **D13/154; D13/133; D13/146;
D13/147**

(58) **Field of Classification Search** **D13/133,
D13/146-147, 154, 184, 199; 439/246, 278,
439/282, 374, 527, 775, 892, 894**
See application file for complete search history.

(56) **References Cited**

U.S. PATENT DOCUMENTS

D162,795 S *	4/1951	De Tar	D13/146
D245,977 S *	10/1977	Mouffet	D13/133
D341,126 S *	11/1993	Finamore et al.	D13/151
D412,885 S *	8/1999	Toly	D13/154
D501,649 S *	2/2005	Yang et al.	D13/133
7,108,533 B2 *	9/2006	Howard	439/282
D543,942 S *	6/2007	Howard	D13/147
2006/0172577 A1 *	8/2006	Howard	439/282
2007/0111577 A1 *	5/2007	Howard	439/282

* cited by examiner

Primary Examiner—Daniel Bui
(74) *Attorney, Agent, or Firm*—Jones Day

(57) **CLAIM**

The ornamental design for a male/female connector assembly for connecting electrical conductors, as shown and described.

DESCRIPTION

FIG. 1 is a perspective view of a male portion of a male/female connector assembly for connecting electrical conductors showing my new design;

FIG. 2 is a front view thereof;

FIG. 3 is a rear view thereof;

FIG. 4 is a side view thereof;

FIG. 5 is a side view thereof;

FIG. 6 is a top view thereof;

FIG. 7 is a bottom view thereof;

FIG. 8 is a perspective view of a female portion of a male/female connector assembly for connecting electrical conductors showing my new design;

FIG. 9 is a front view thereof;

FIG. 10 is a rear view thereof;

FIG. 11 is a side view thereof;

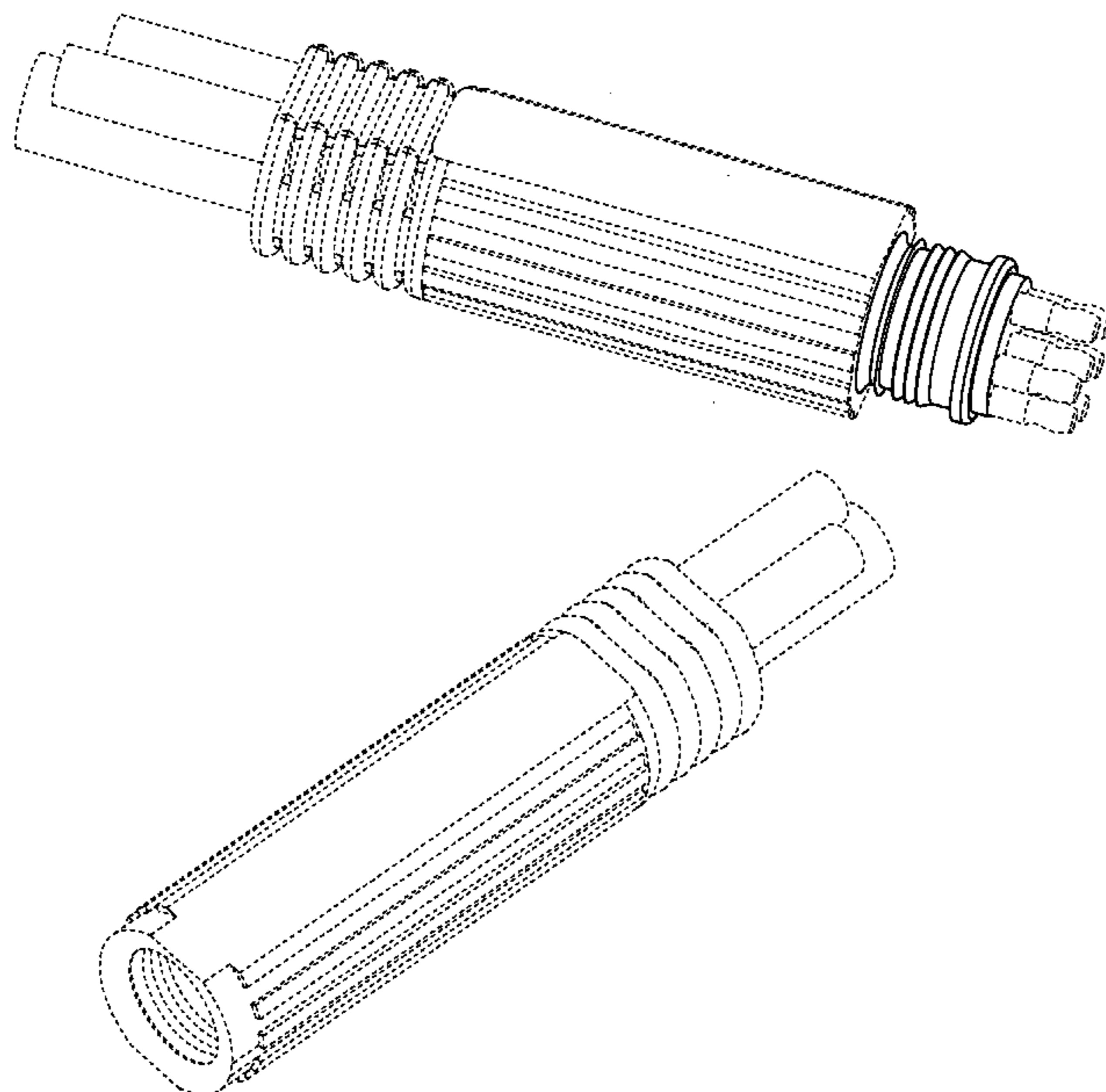
FIG. 12 is a side view thereof;

FIG. 13 is a top view thereof; and,

FIG. 14 is a bottom view thereof.

The broken lines in the drawings show the environmental structure of the claimed design and form no part of the design to be patented.

1 Claim, 6 Drawing Sheets



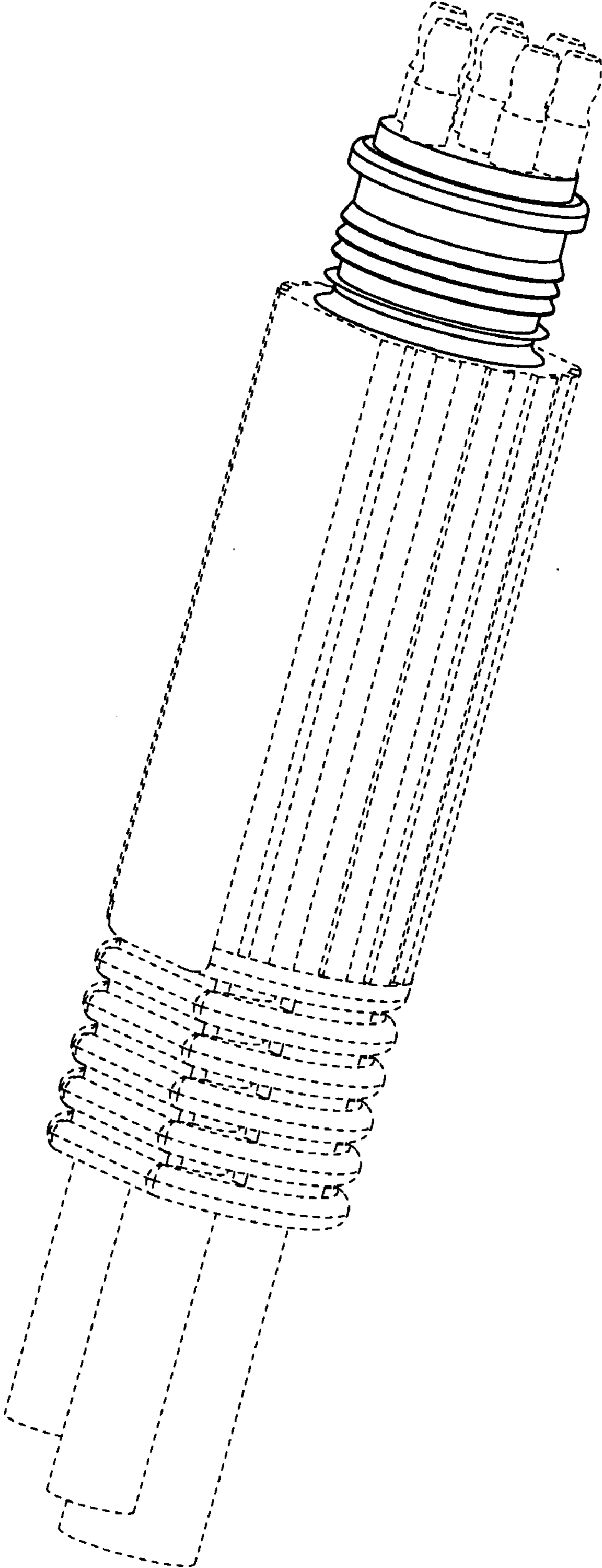


FIG. 1

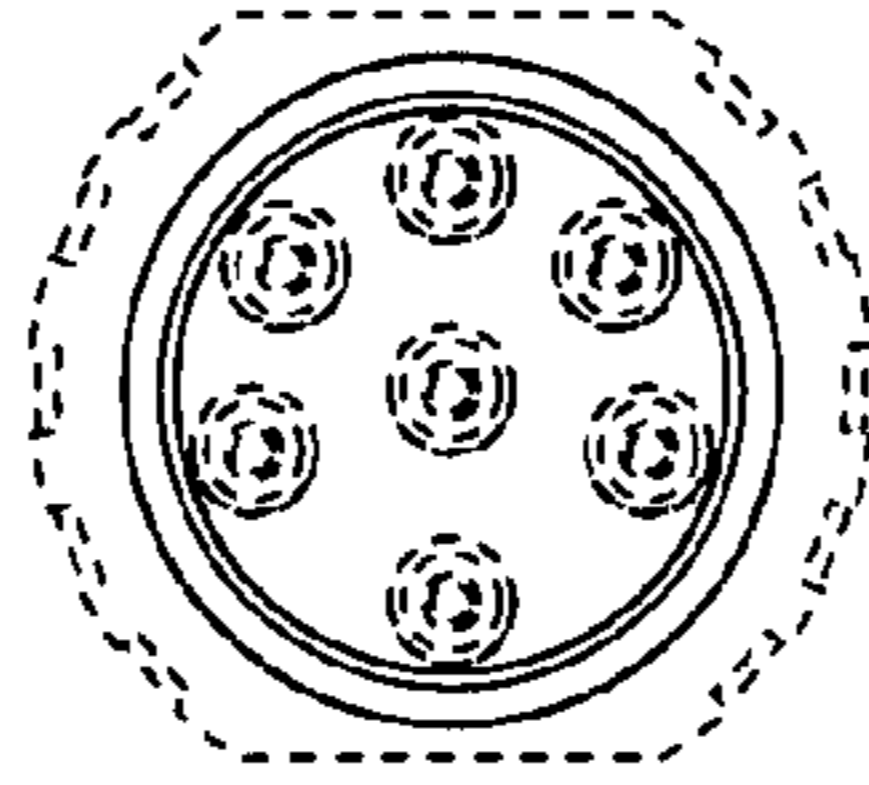


FIG. 2

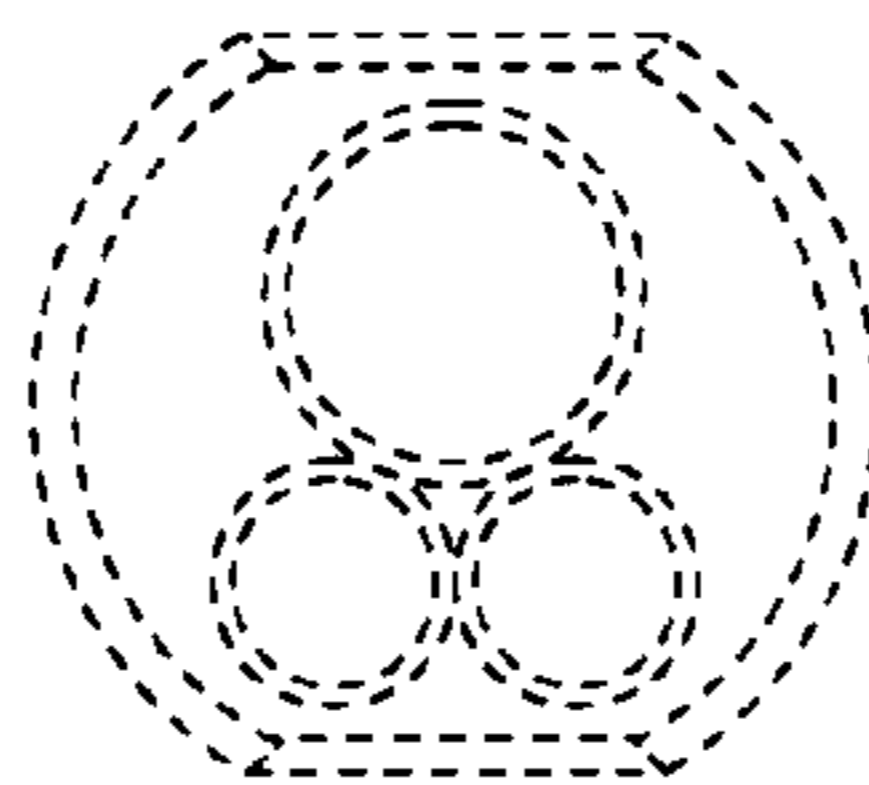


FIG. 3

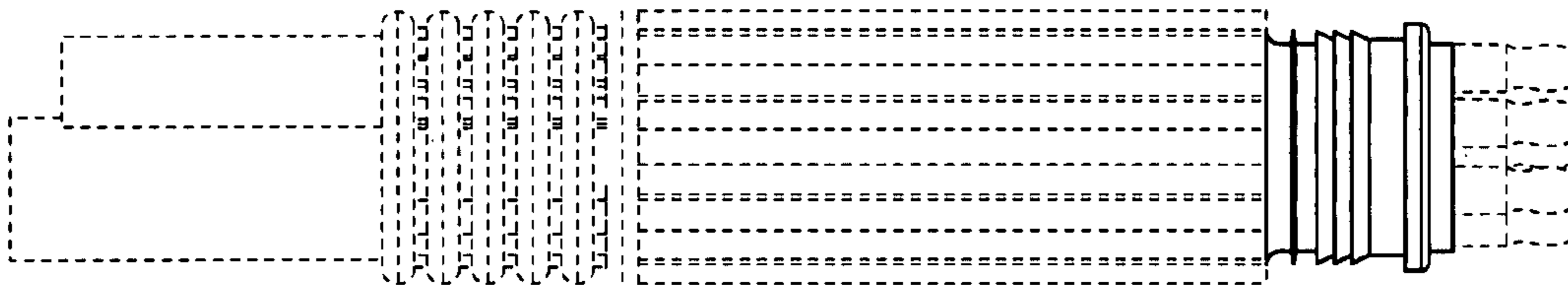


FIG. 4

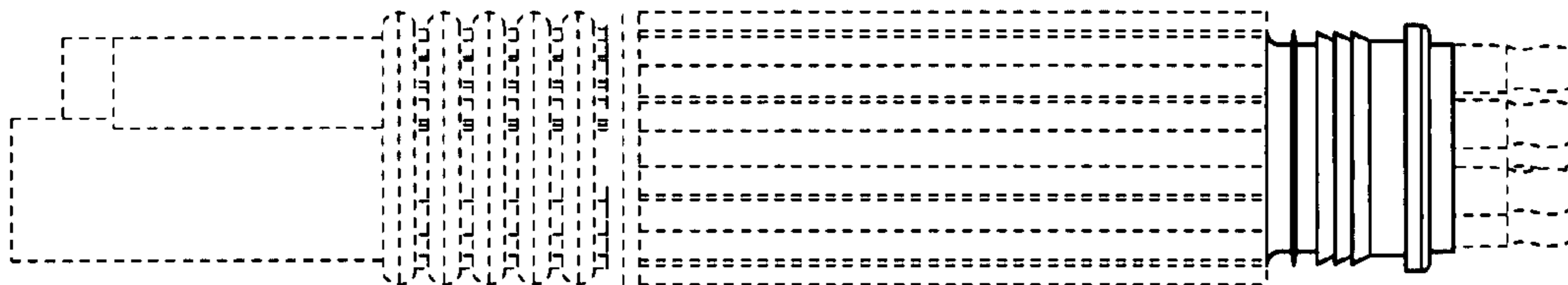


FIG. 5

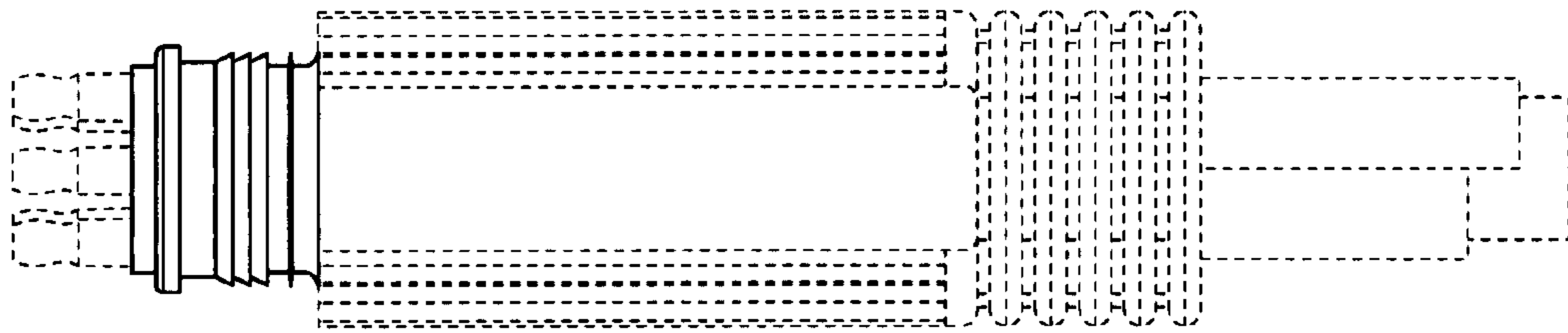


FIG. 6

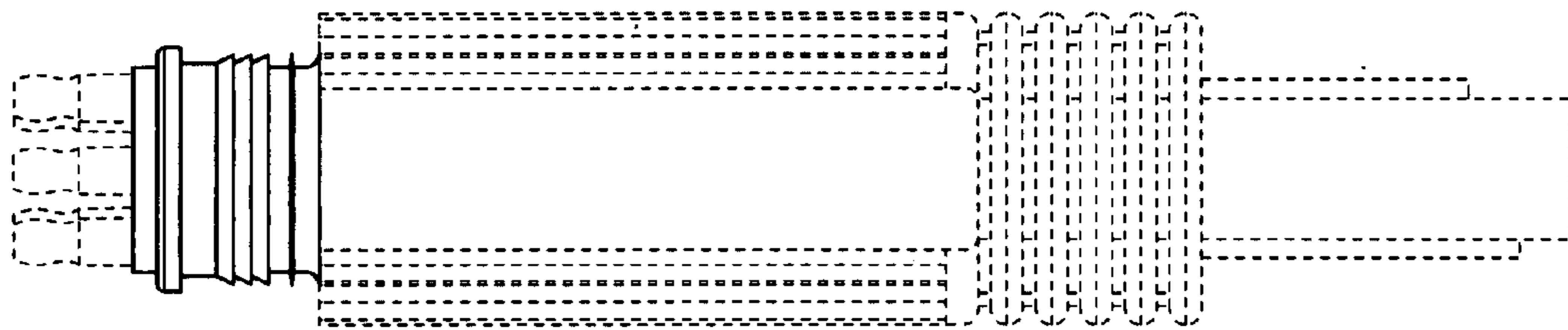


FIG. 7

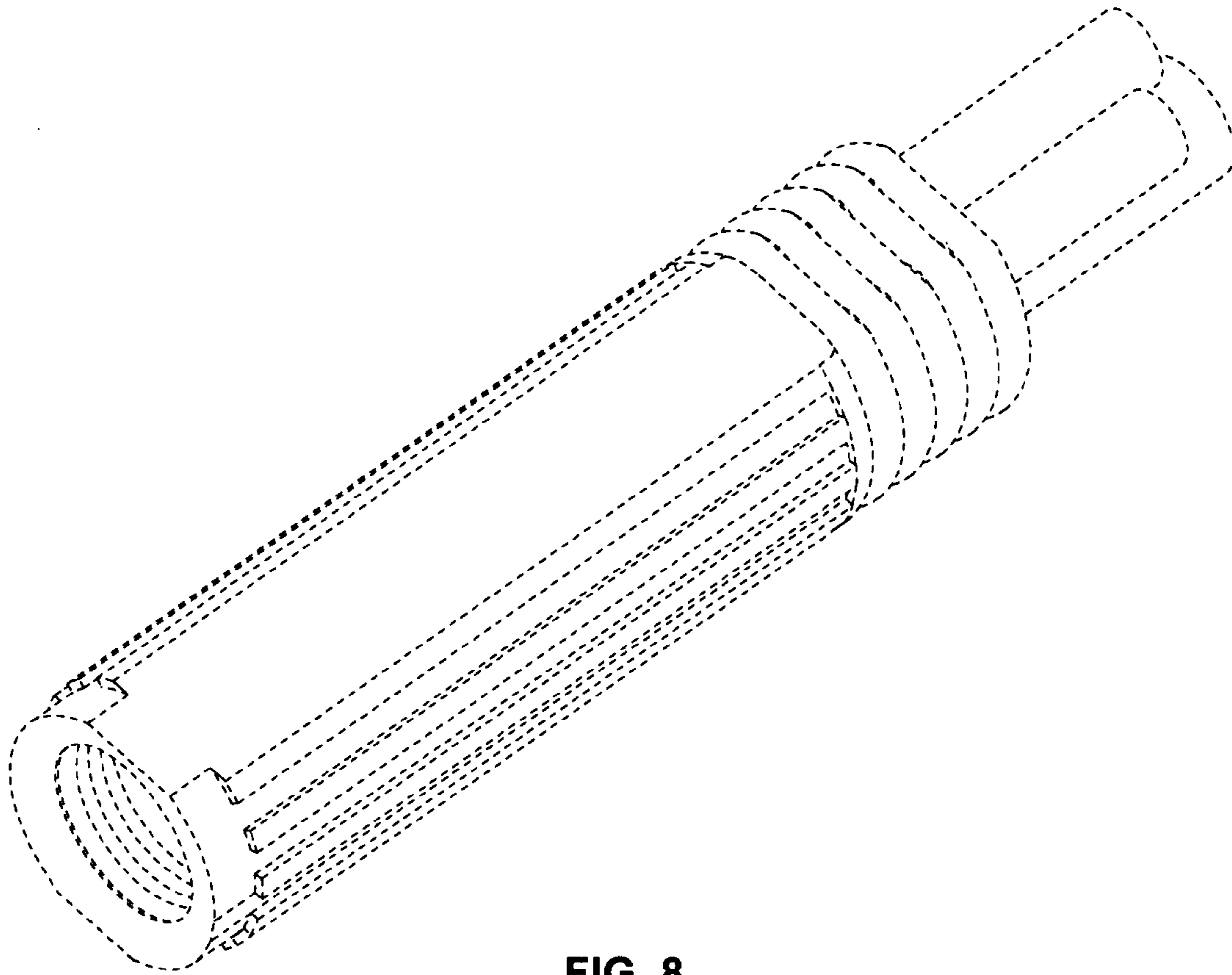


FIG. 8

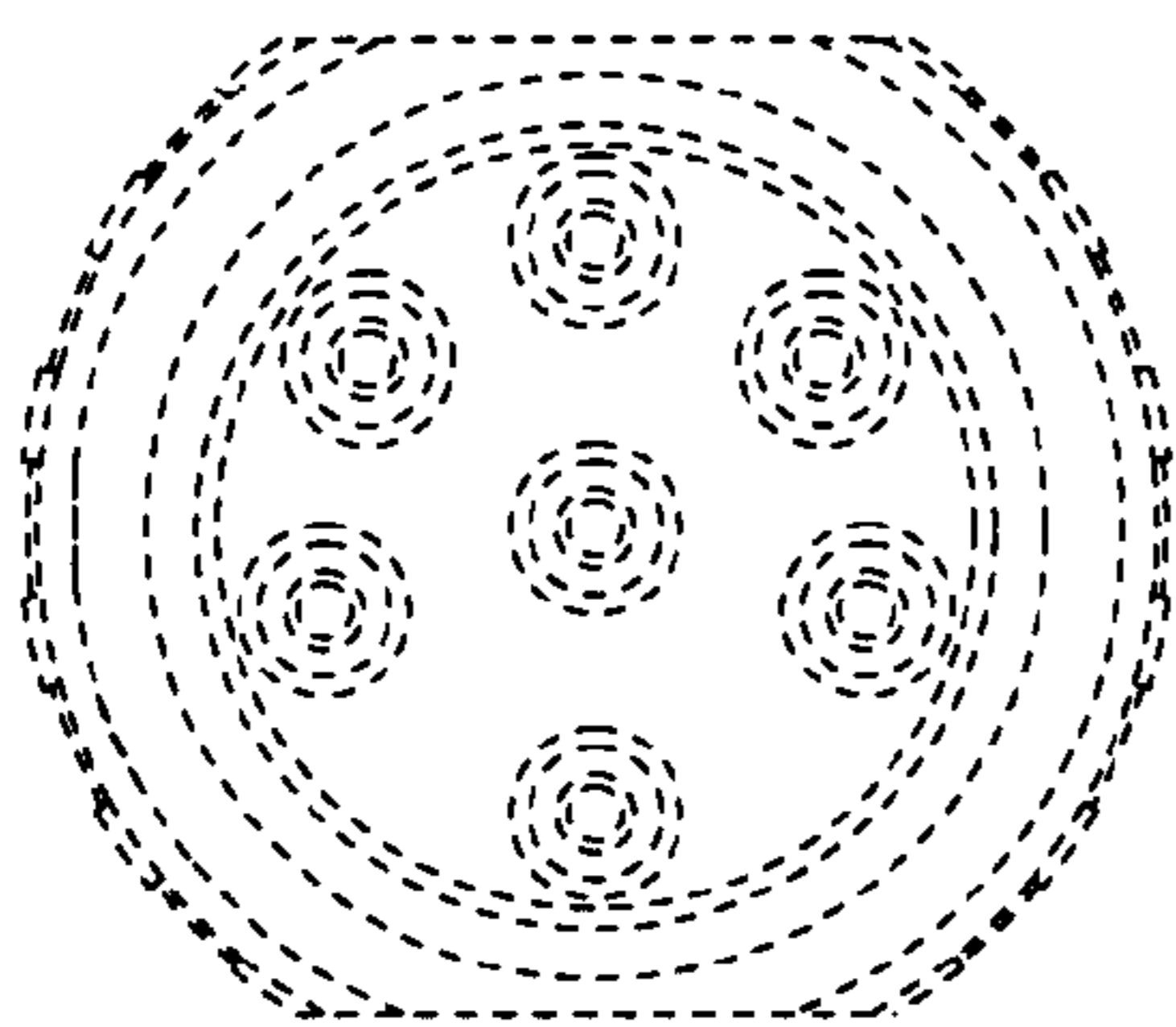


FIG. 9

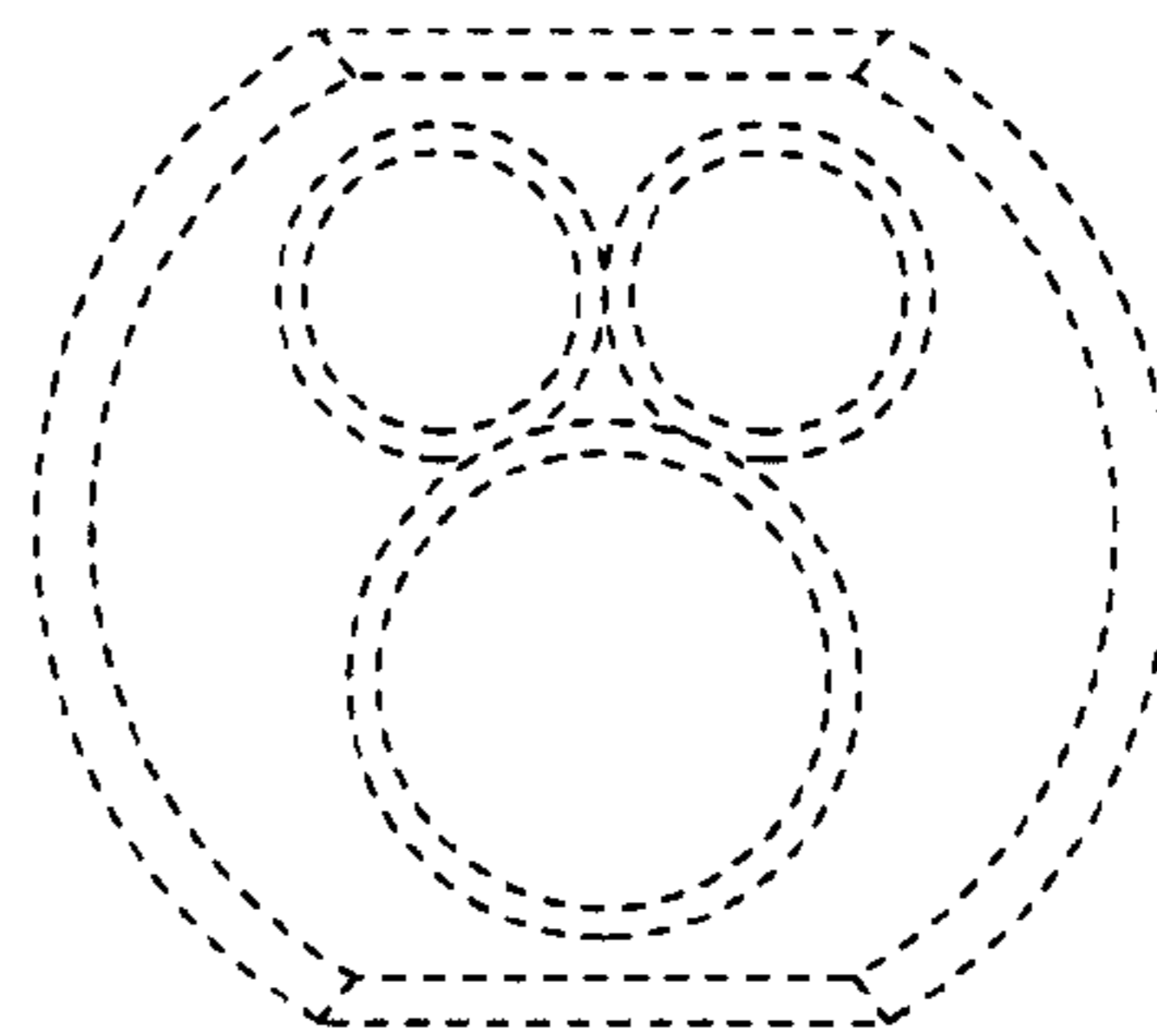


FIG. 10

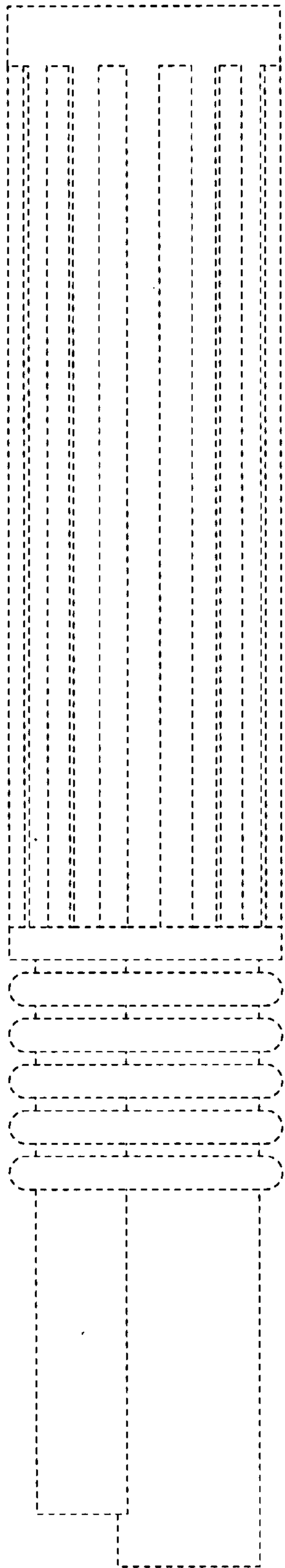


FIG. 11

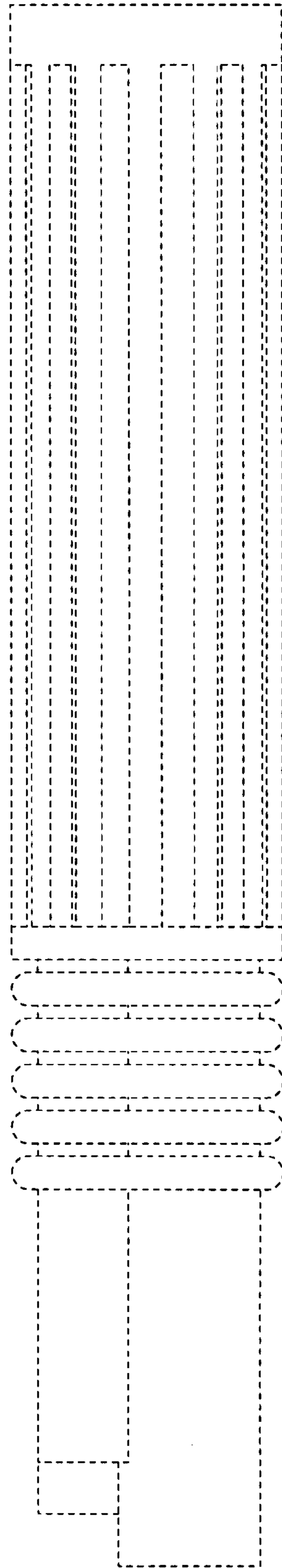


FIG. 12

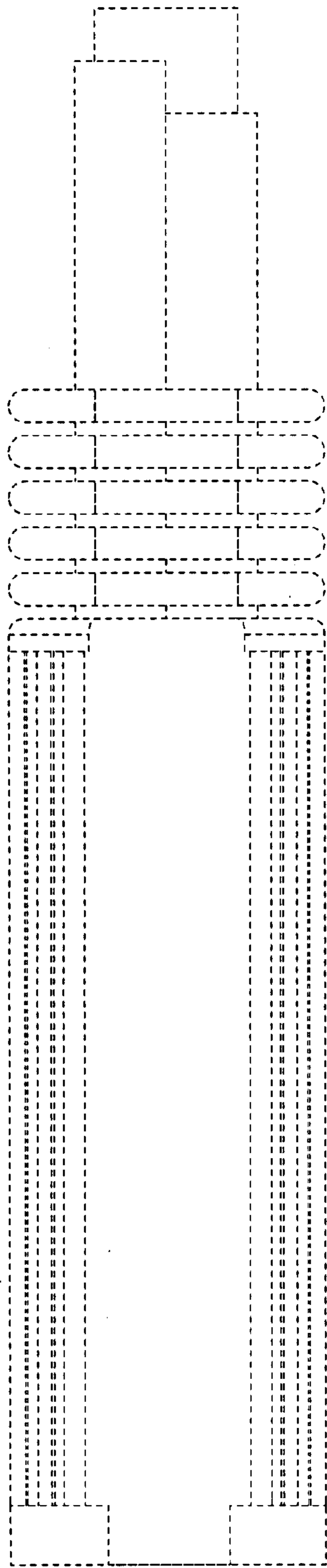


FIG. 13

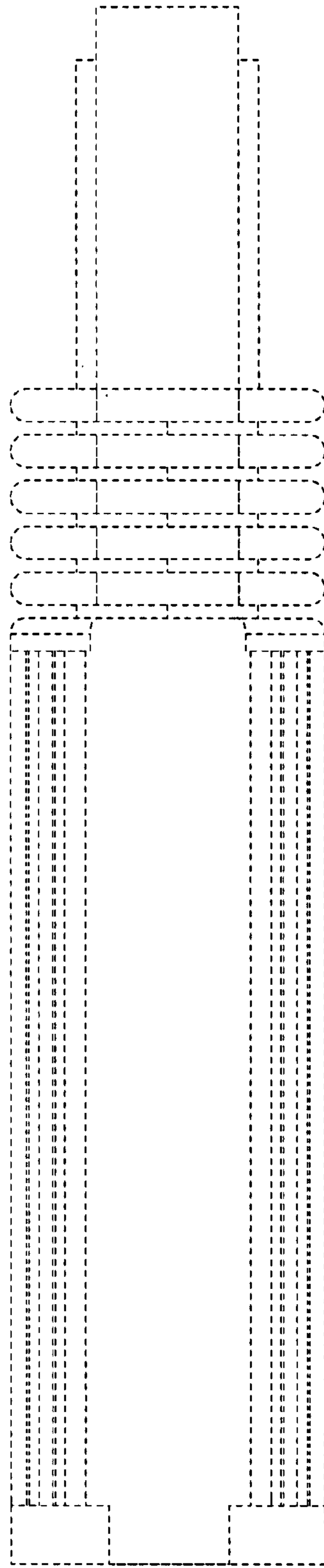


FIG. 14