

US00D561108S

(12) **United States Design Patent**
Cuff et al.

(10) **Patent No.: US D561,108 S**

(45) **Date of Patent: ** Feb. 5, 2008**

(54) **ELECTRICAL CONNECTOR**

(75) Inventors: **Michael P. Cuff**, Georgetown, TX
(US); **John L. Grant**, Sherborn, MA
(US)

(73) Assignee: **AirBorn, Inc.**, Addison, TX (US)

(**) Term: **14 Years**

(21) Appl. No.: **29/283,912**

(22) Filed: **Aug. 27, 2007**

(51) **LOC (8) Cl.** **13-03**

(52) **U.S. Cl.** **D13/147**

(58) **Field of Classification Search** D13/133,
D13/146-147, 154, 184; 439/607-610, 613-614,
439/675-677, 680

See application file for complete search history.

(56) **References Cited**

U.S. PATENT DOCUMENTS

D235,552 S	6/1975	Derr et al.	
D252,082 S	6/1979	Voelkert	
4,158,473 A	6/1979	Shearer	
4,179,179 A	12/1979	Lowden	
D270,246 S	8/1983	Freimuth	
4,711,509 A *	12/1987	Cross et al.	439/587
4,861,271 A *	8/1989	Bogar et al.	439/63
D308,511 S	6/1990	Makita et al.	
D319,625 S	9/1991	Nagasaka et al.	

D331,223 S *	11/1992	Hughes	D13/147
D434,726 S *	12/2000	Middlehurst	D13/147
6,702,617 B1	3/2004	Clement et al.	
D495,659 S *	9/2004	Shimaya et al.	D13/147
6,939,159 B1	9/2005	Klein et al.	

OTHER PUBLICATIONS

Airborn, Inc., Airborn Interconnect Series; Microminiature Series, May 2007.

* cited by examiner

Primary Examiner—Daniel Bui

(74) *Attorney, Agent, or Firm*—Locke Lord Bissell & Liddell LLP

(57) **CLAIM**

The ornamental design for an electrical connector, as shown and described.

DESCRIPTION

FIG. 1 is a front perspective view of an electrical connector showing our new design;

FIG. 2 is a rear perspective view thereof;

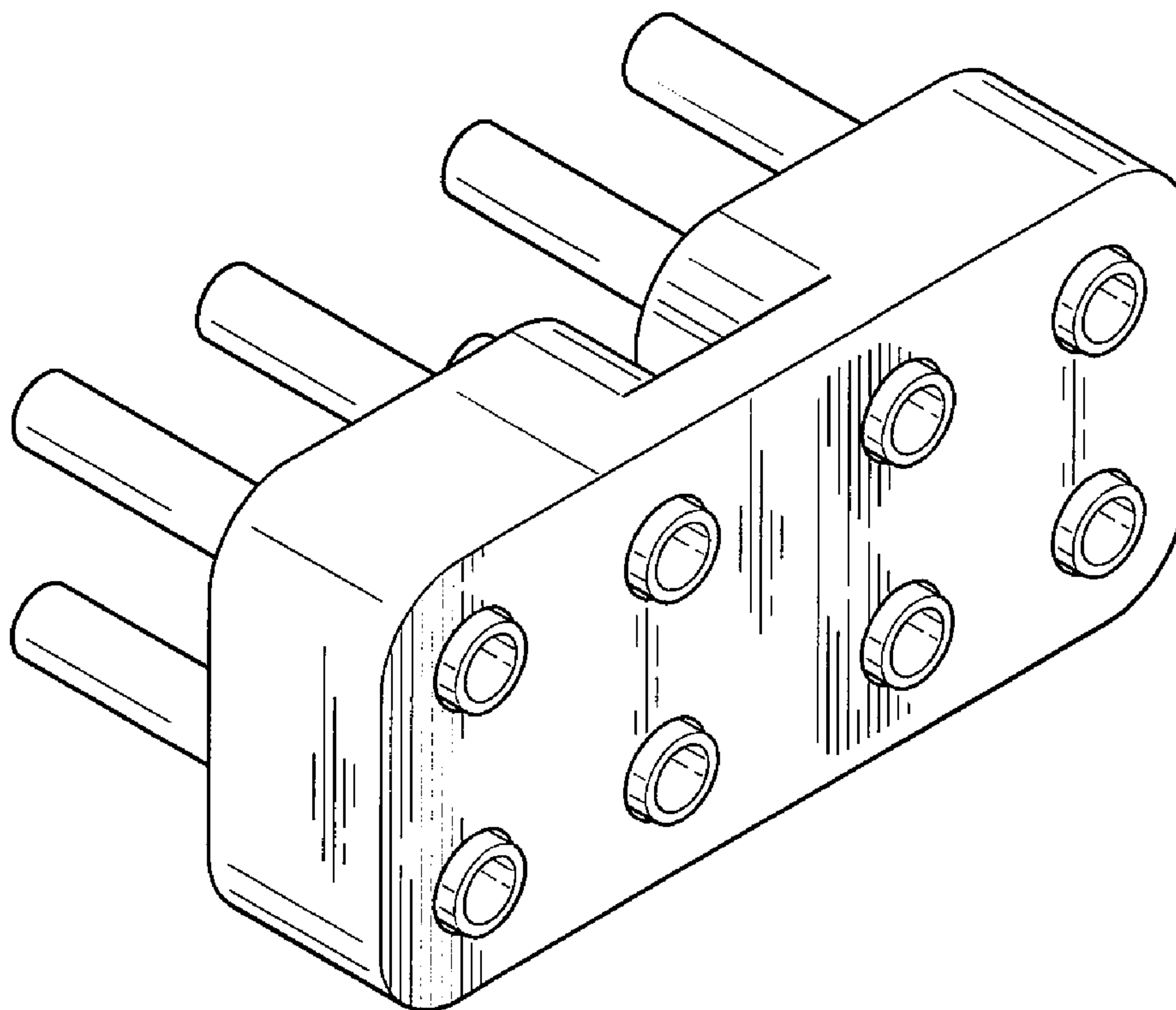
FIG. 3 is a front plan view thereof;

FIG. 4 is a side elevational view thereof;

FIG. 5 is a rear plan view thereof; and,

FIG. 6 is a top plan view thereof.

1 Claim, 2 Drawing Sheets



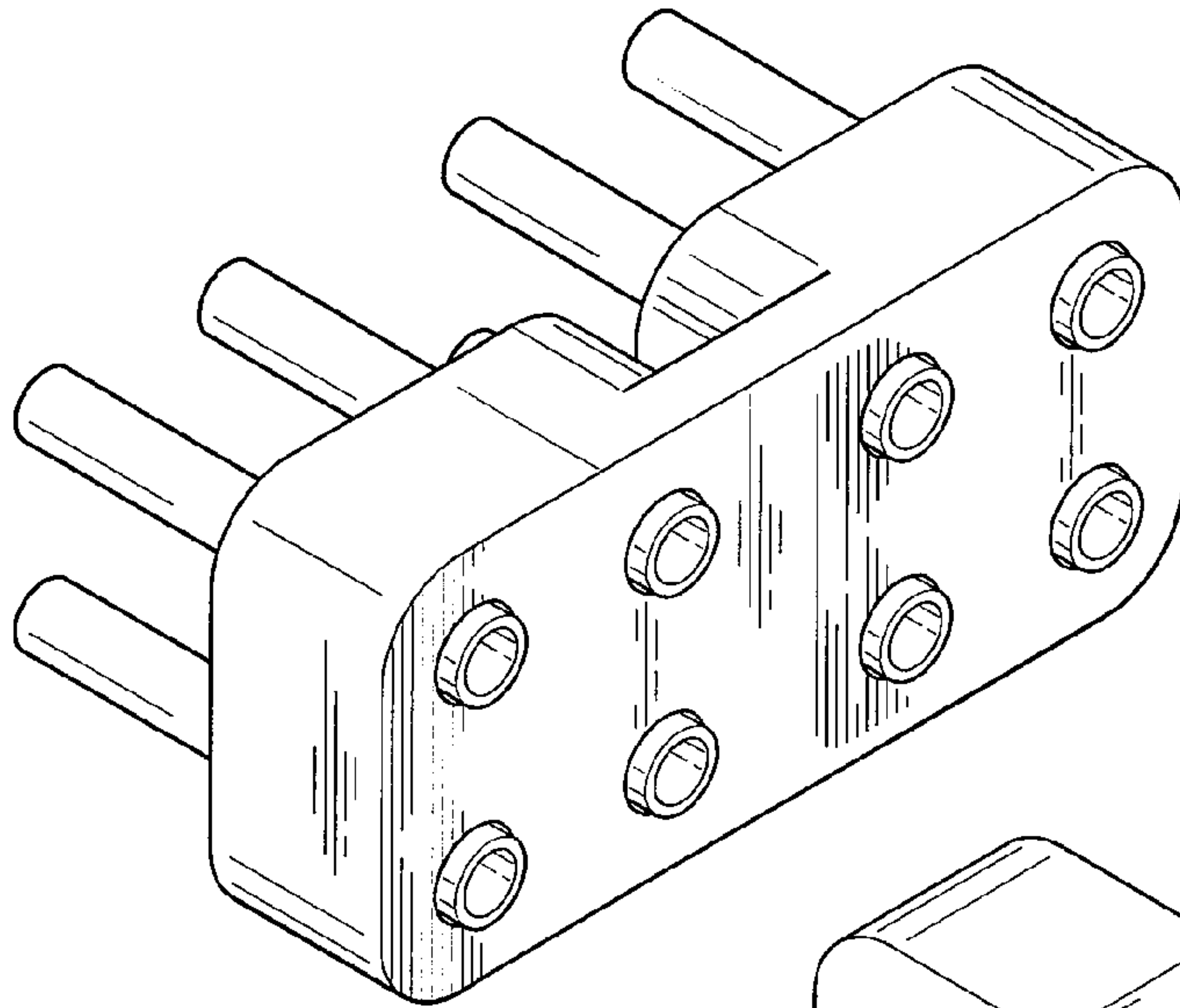


FIG. 1

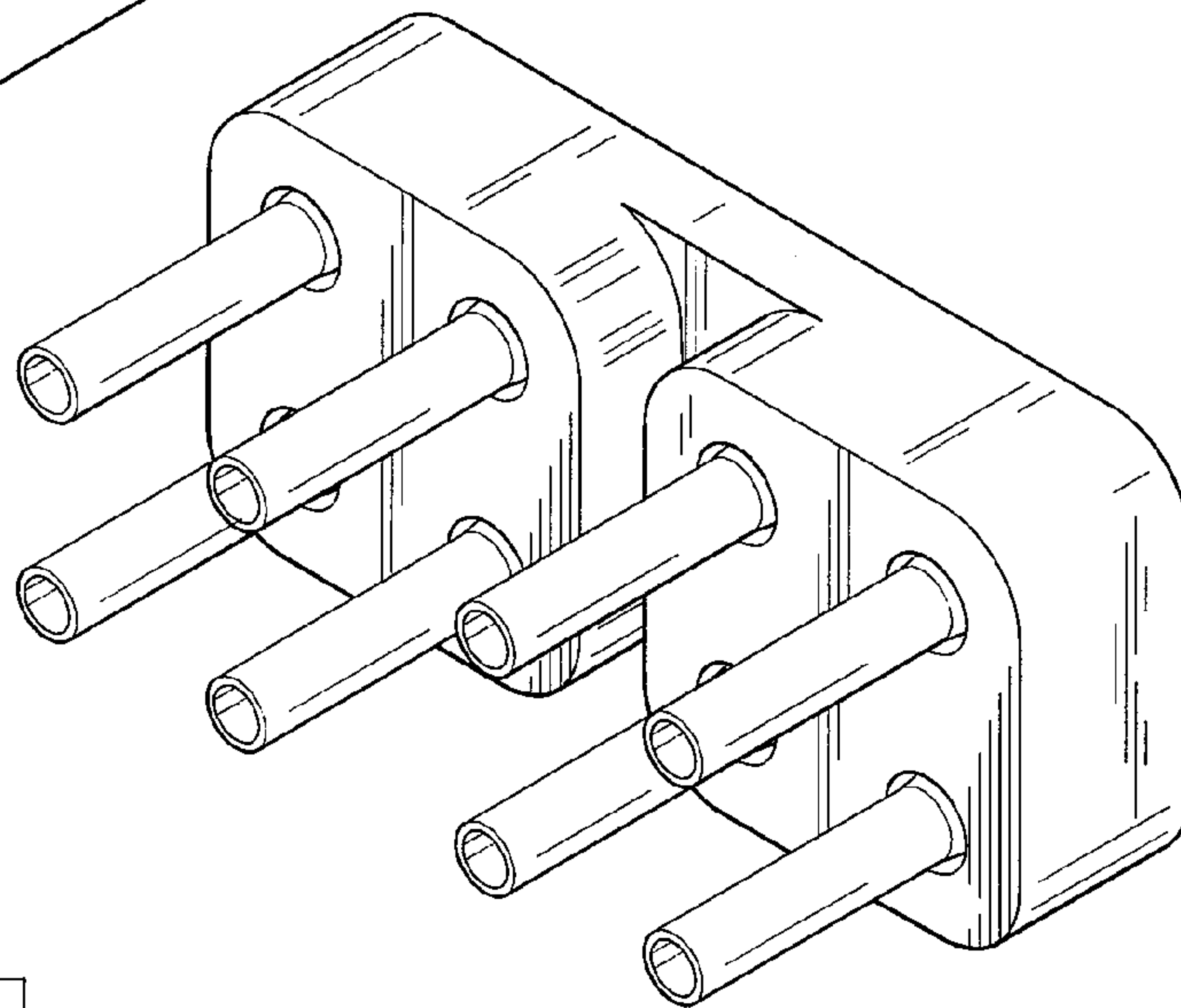


FIG. 2

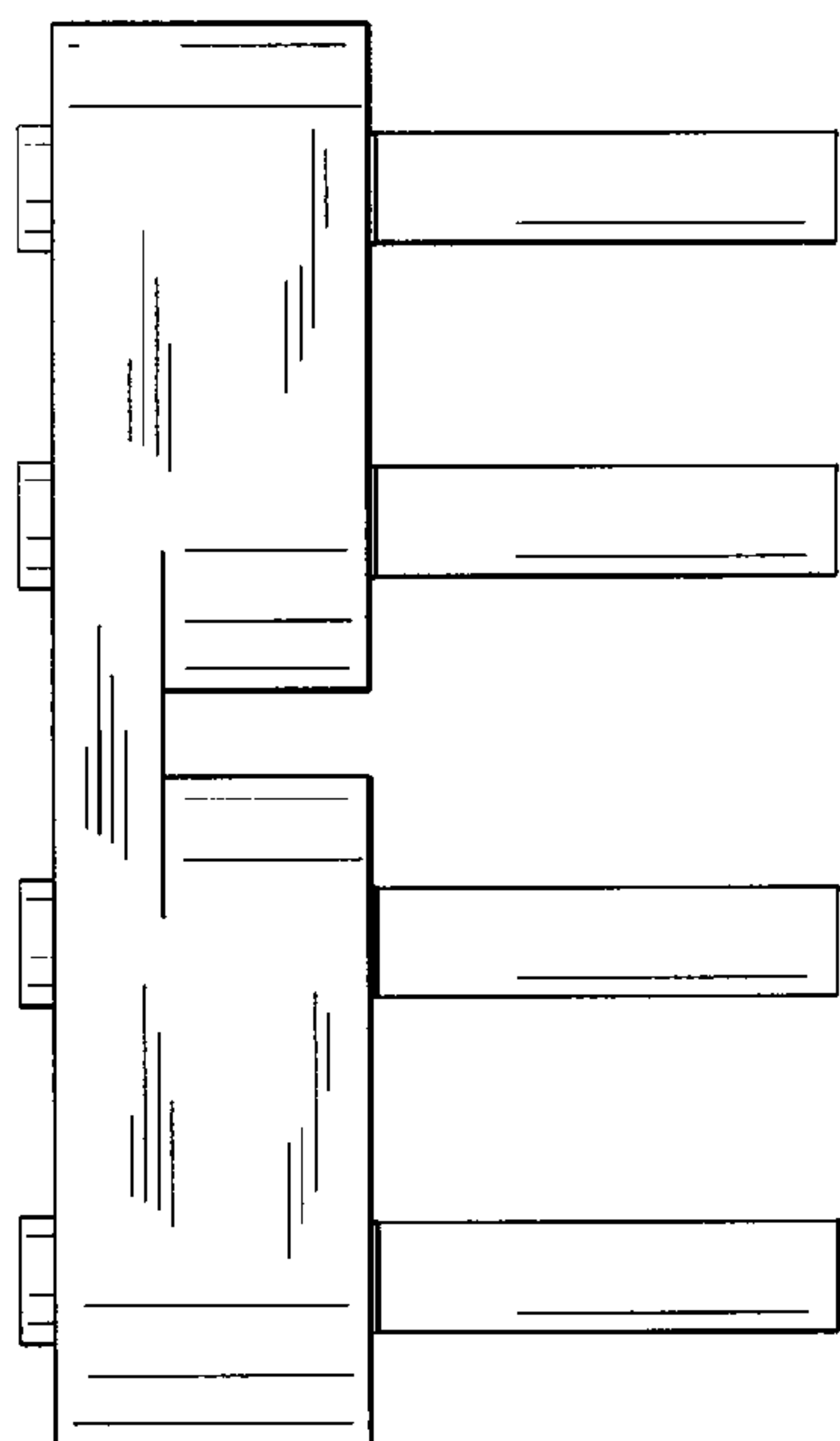


FIG. 6

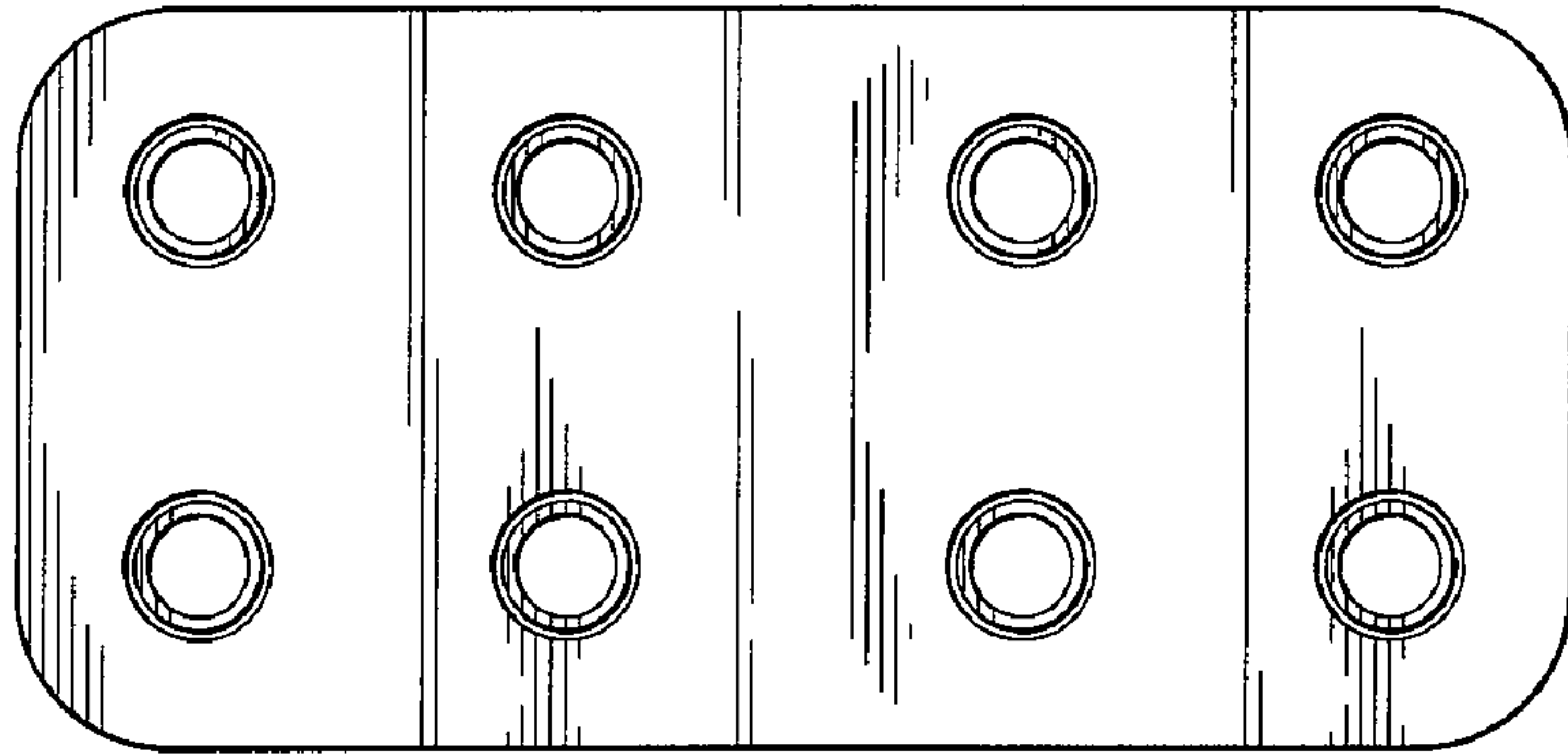


FIG. 3

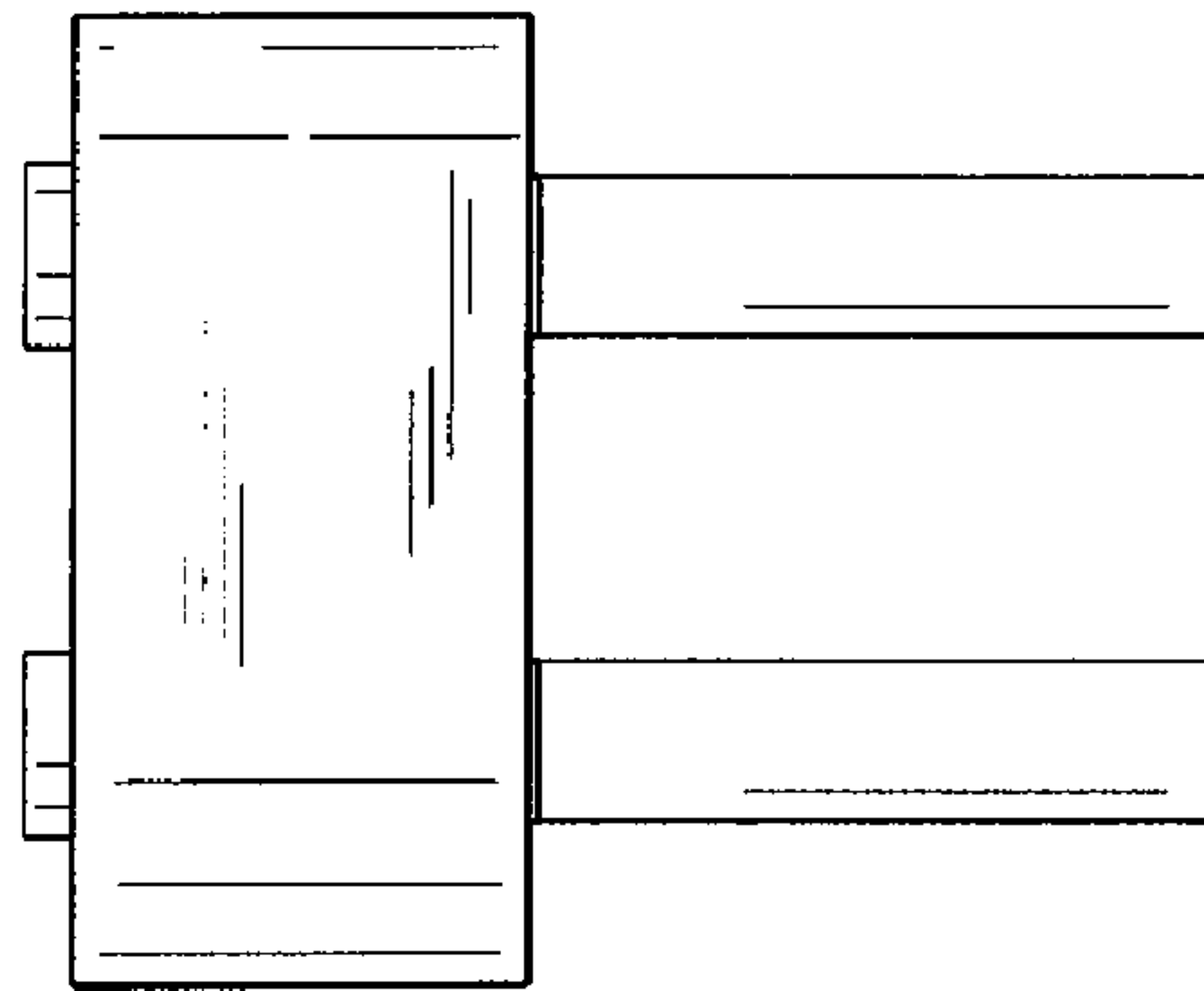


FIG. 4

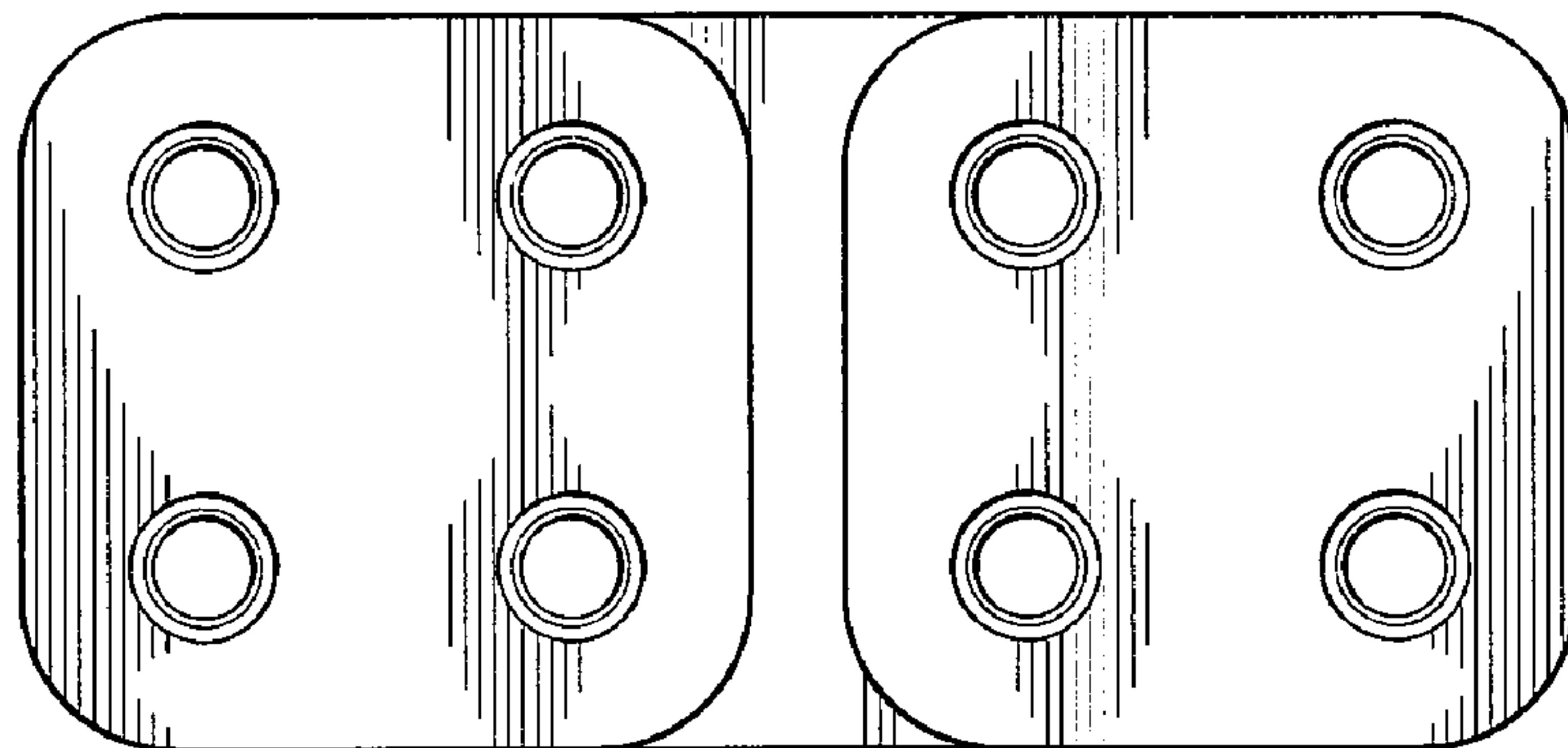


FIG. 5