



US00D561104S

(12) **United States Design Patent**
Sakamoto

(10) **Patent No.:** **US D561,104 S**

(45) **Date of Patent:** **** Feb. 5, 2008**

(54) **FEMALE-TYPE TUBE CONNECTOR HOUSING**

D524,755 S * 7/2006 Kudo D13/147

(75) Inventor: **Tetsuma Sakamoto**, Tokyo (JP)

* cited by examiner

(73) Assignee: **Tyco Electronics AMP K.K.**, Kanagawa-ken (JP)

Primary Examiner—Daniel Bui

(74) *Attorney, Agent, or Firm*—Barley Snyder LLC

(**) Term: **14 Years**

(57) **CLAIM**

(21) Appl. No.: **29/250,750**

The ornamental design for a female-type tube connector housing, as shown and described.

(22) Filed: **Nov. 30, 2006**

DESCRIPTION

(30) **Foreign Application Priority Data**

May 31, 2006 (JP) 2006-013793

(51) **LOC (8) Cl.** **13-03**

(52) **U.S. Cl.** **D13/147**

(58) **Field of Classification Search** D13/133,
D13/154, 184, 146–147; 439/248, 350, 357,
439/352–354, 540.1, 603, 607, 660, 677,
439/680–682, 752

See application file for complete search history.

FIG. 1 is a front elevation view of a female-type tube connector housing, showing my new design;

FIG. 2 is a top plan view thereof;

FIG. 3 is a rear elevation view thereof;

FIG. 4 is a right side elevation view thereof;

FIG. 5 is a left side elevation view thereof;

FIG. 6 is a bottom plan view thereof;

FIG. 7 is a top, front and right side perspective view thereof;

FIG. 8 is a bottom, rear and left side perspective view thereof;

FIG. 9 is a top, front and right side perspective view thereof, in use condition;

FIG. 10 is a bottom, rear and left side perspective view thereof, in use condition; and,

FIG. 11 is a cross-sectional view thereof taken along line 11–11 in FIG. 10.

The broken line showing of the environment is for illustrative purposes only and forms no part of the claimed design.

(56) **References Cited**

U.S. PATENT DOCUMENTS

D311,375 S *	10/1990	Kuzuno et al.	D13/147
5,403,211 A *	4/1995	Sayer et al.	439/752
D426,194 S *	6/2000	Ko et al.	D13/147
D434,726 S *	12/2000	Middlehurst	D13/147
D438,843 S *	3/2001	Middlehurst	D13/147
D459,310 S *	6/2002	Tanaka	D13/147
D459,701 S *	7/2002	Larsen	D13/147
D460,045 S *	7/2002	Larsen	D13/147
D508,677 S *	8/2005	Chau et al.	D13/146
D516,514 S *	3/2006	Chau et al.	D13/146

1 Claim, 11 Drawing Sheets

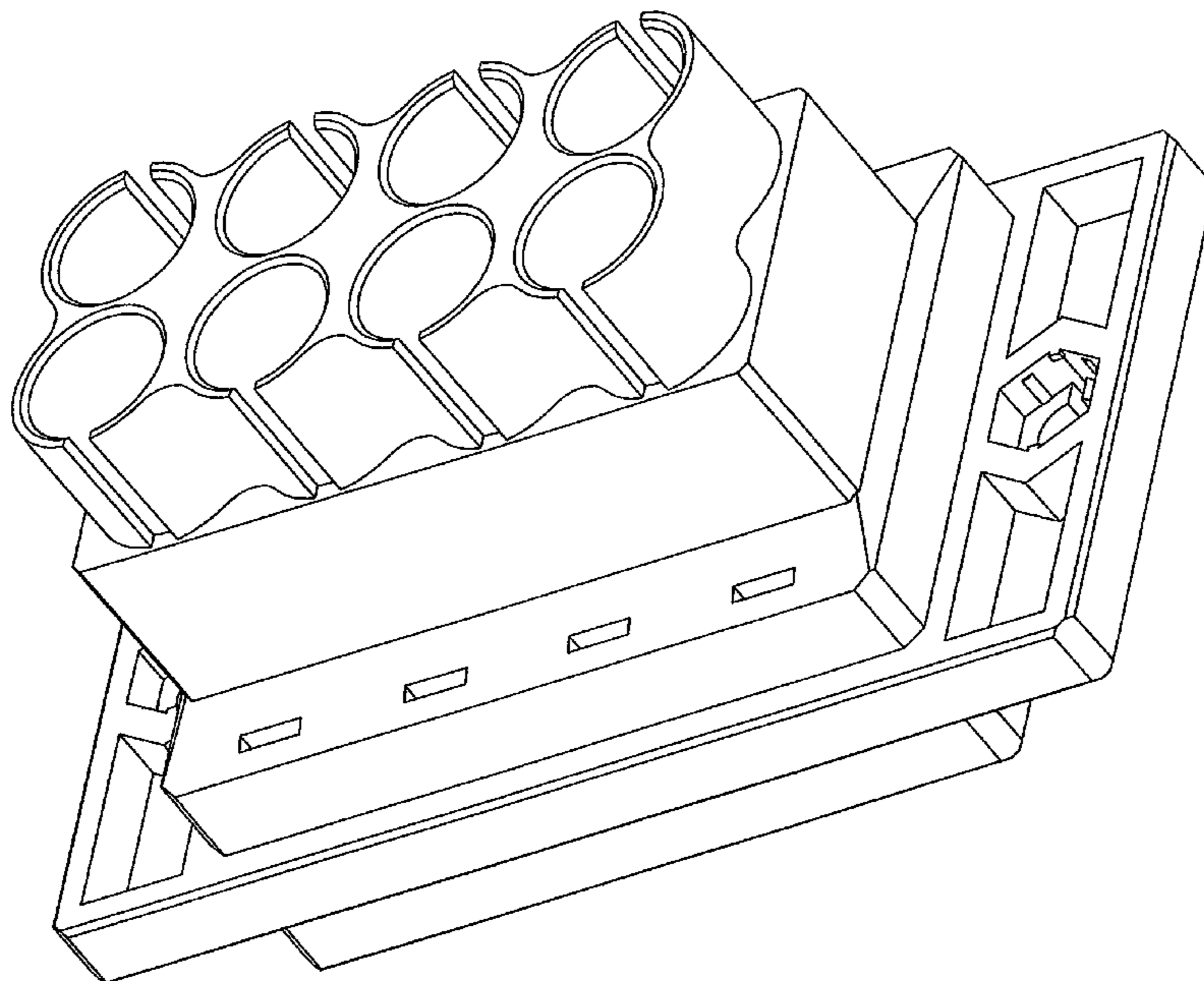


FIG.1

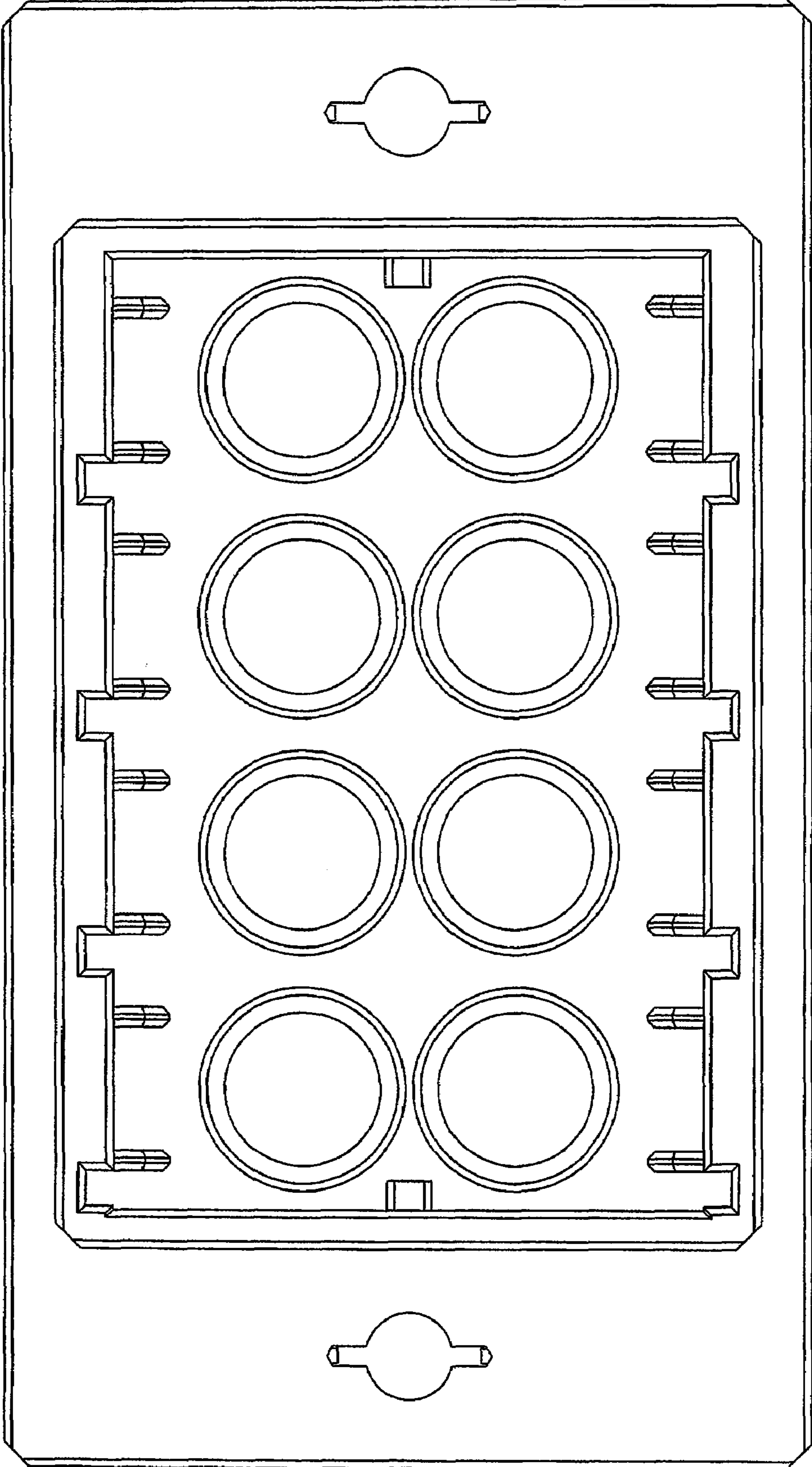


FIG.2

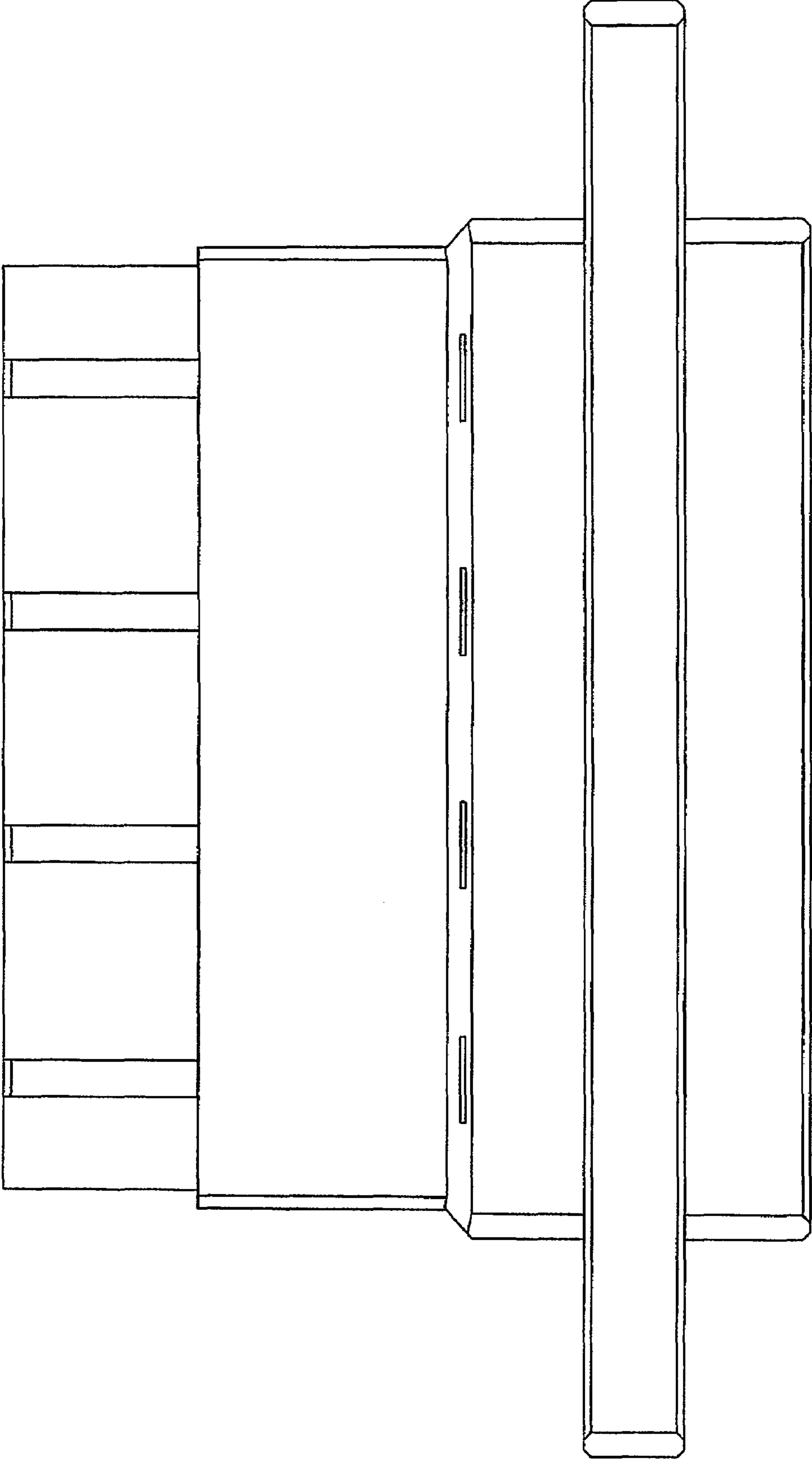


FIG.3

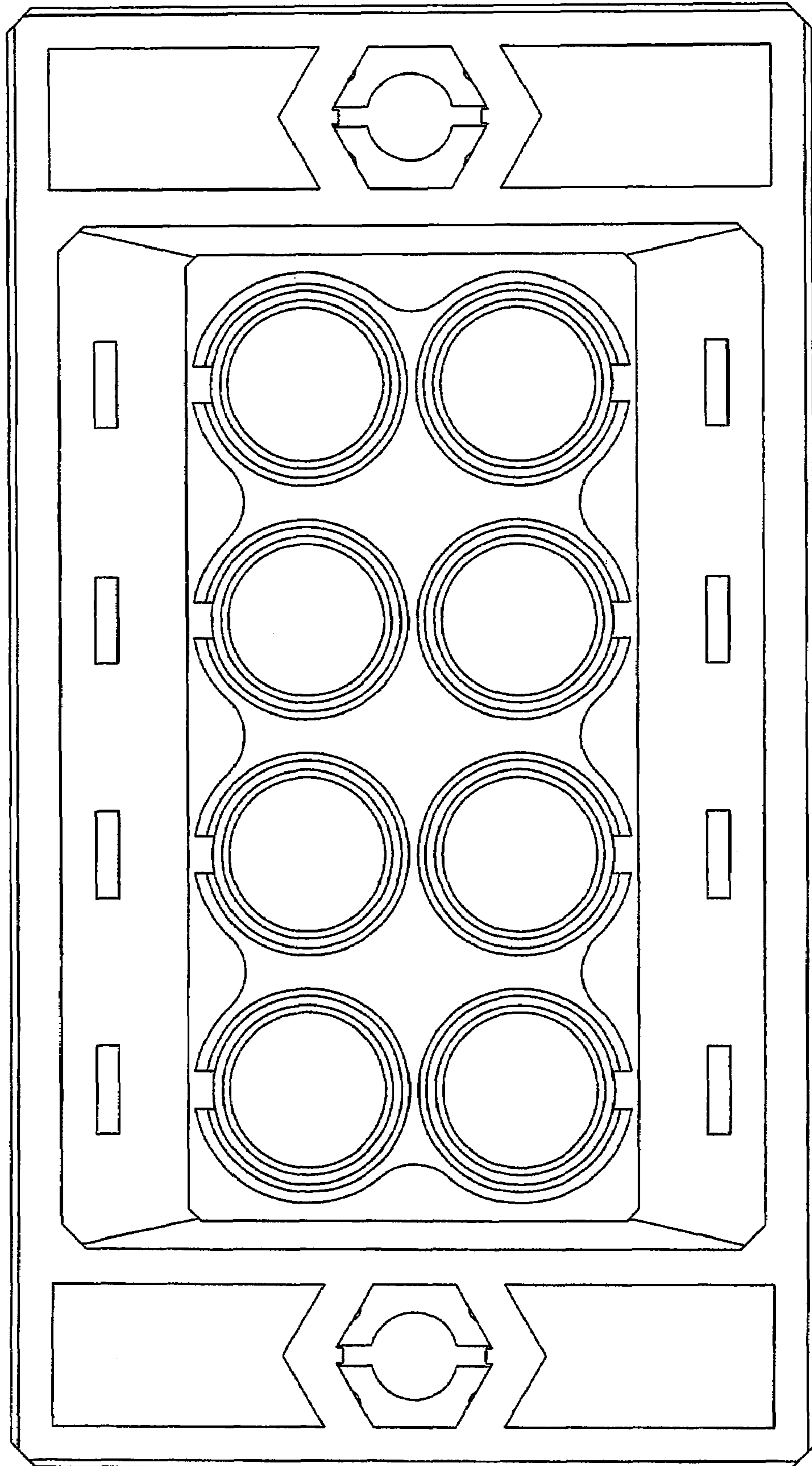


FIG.4

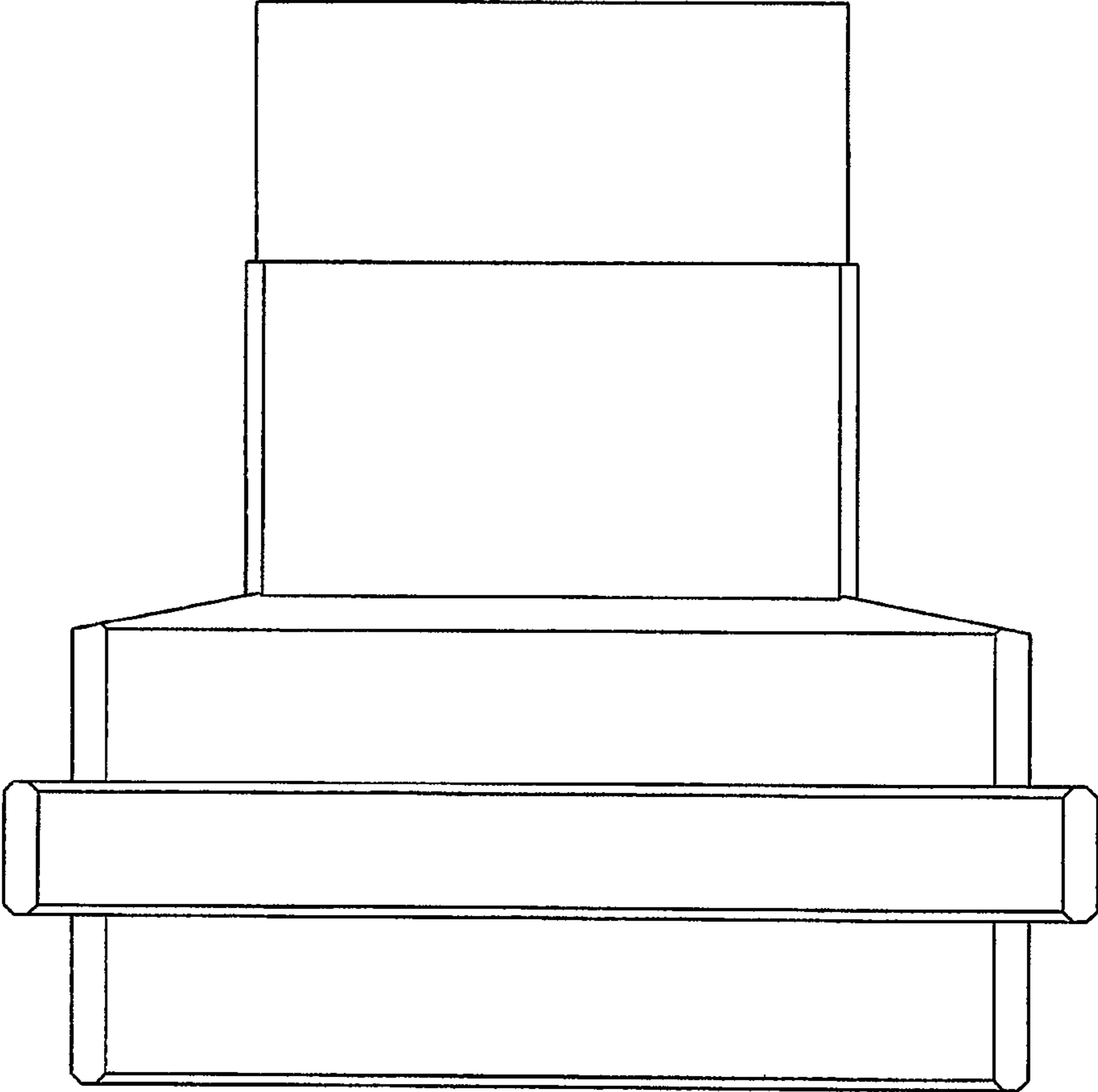


FIG.5

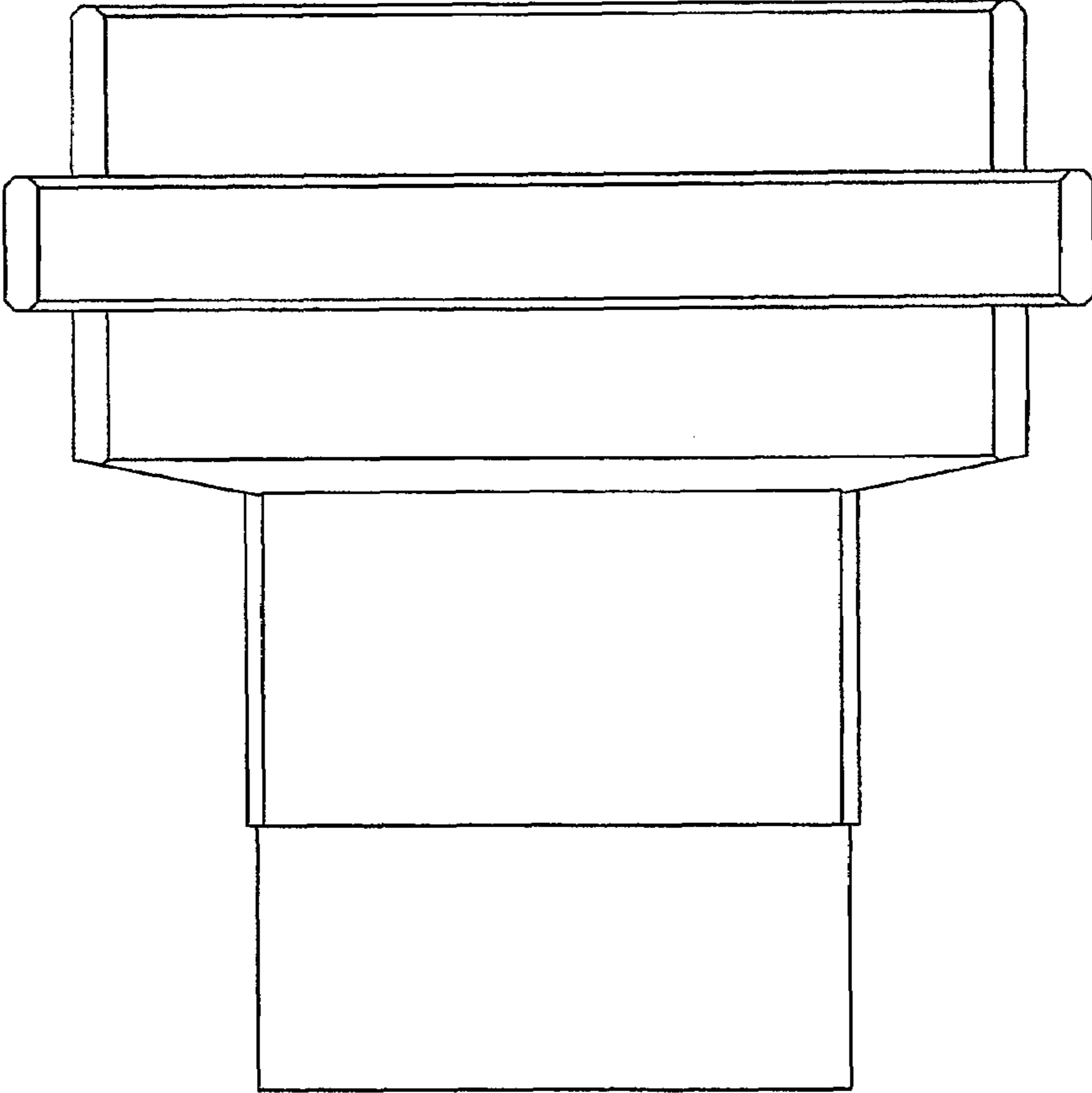
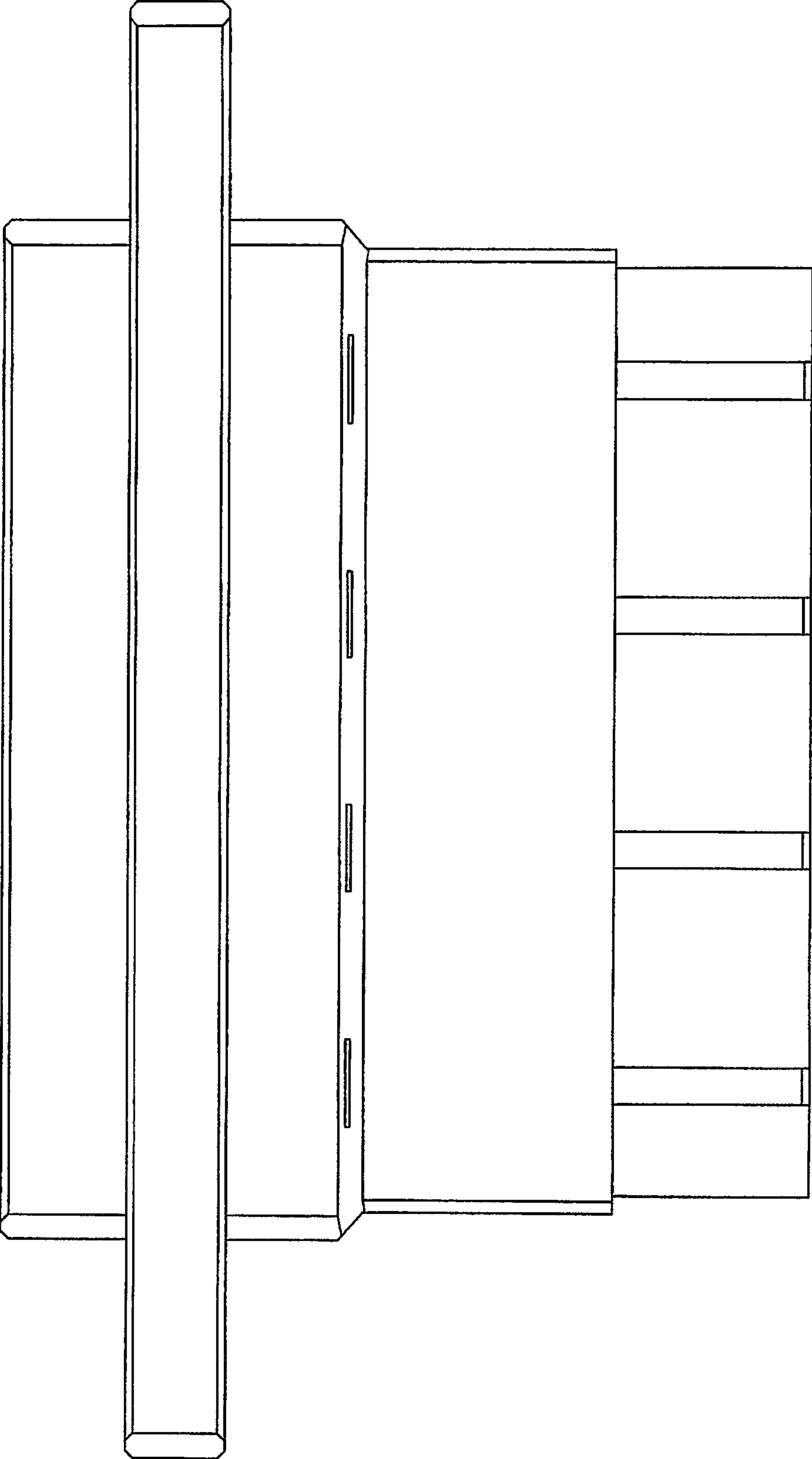


FIG.6



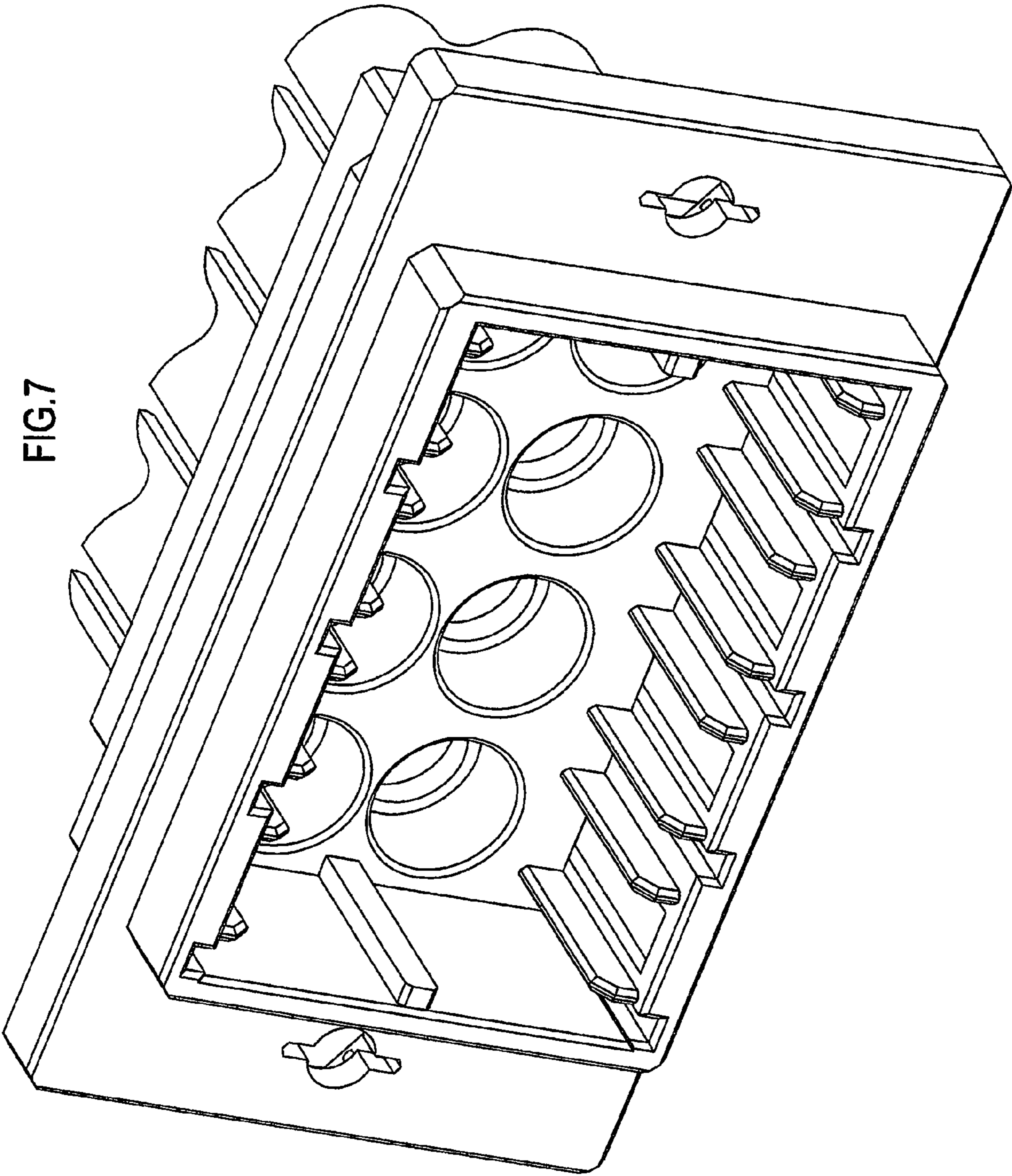


FIG. 7

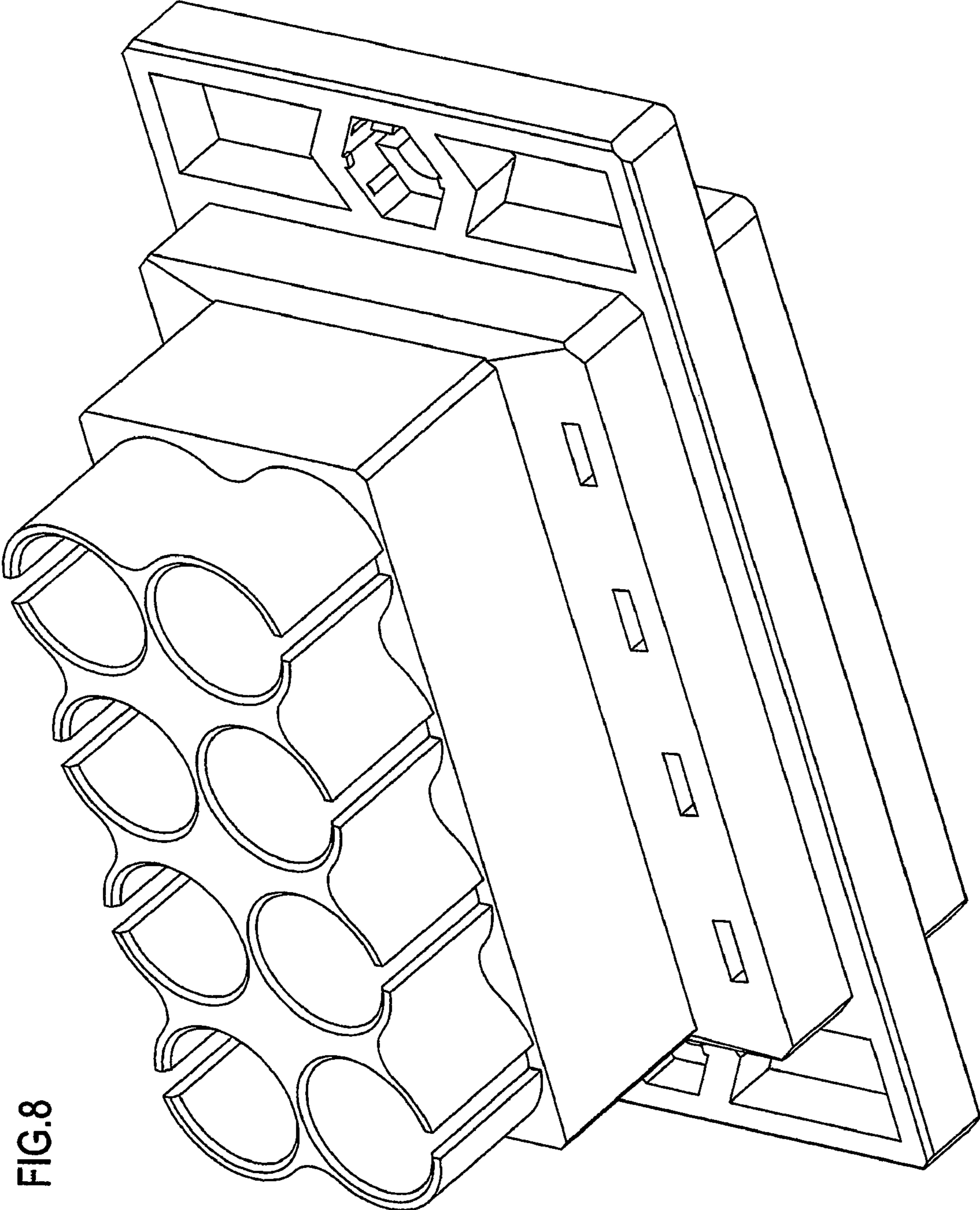


FIG.8

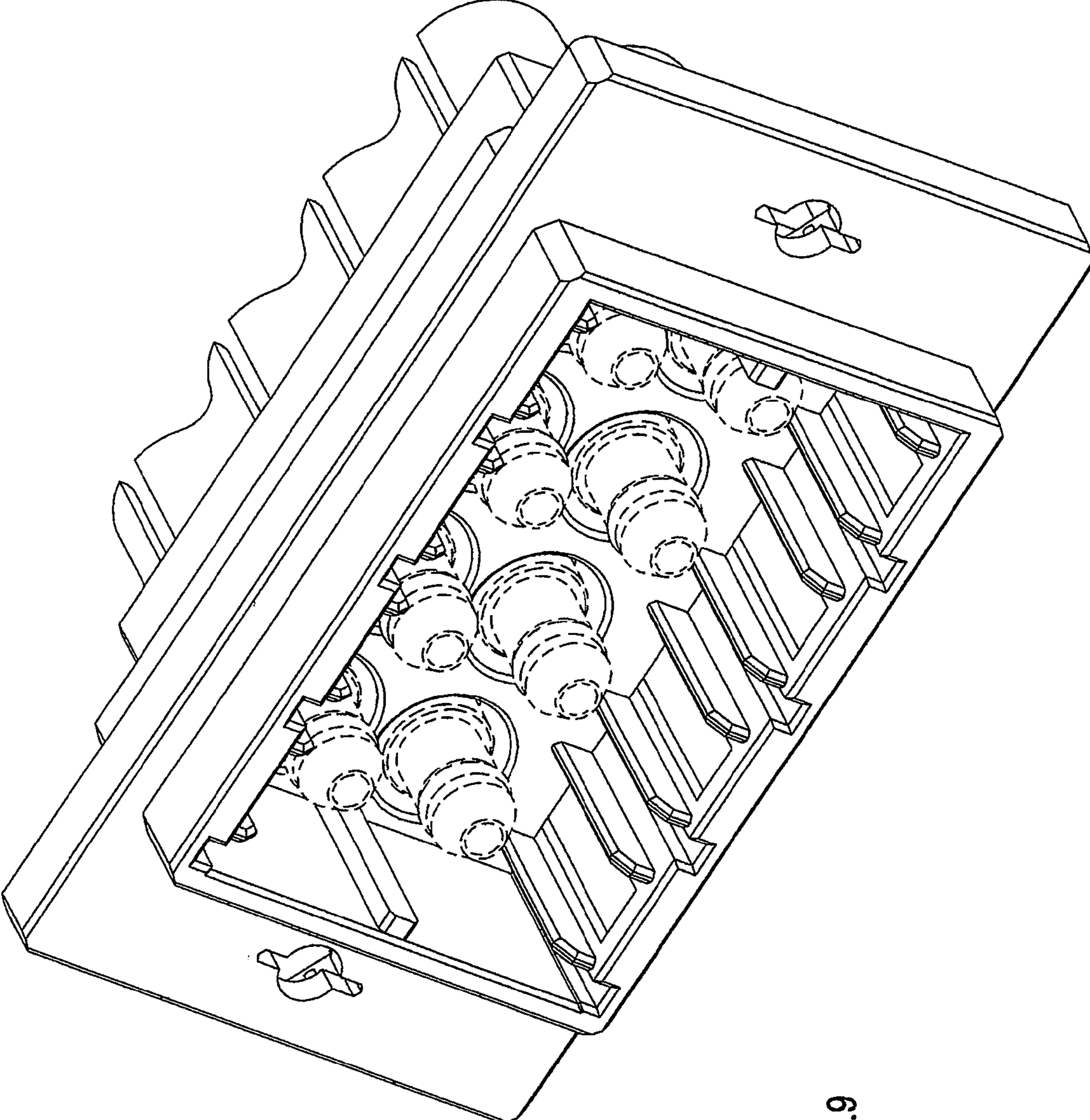


FIG.9

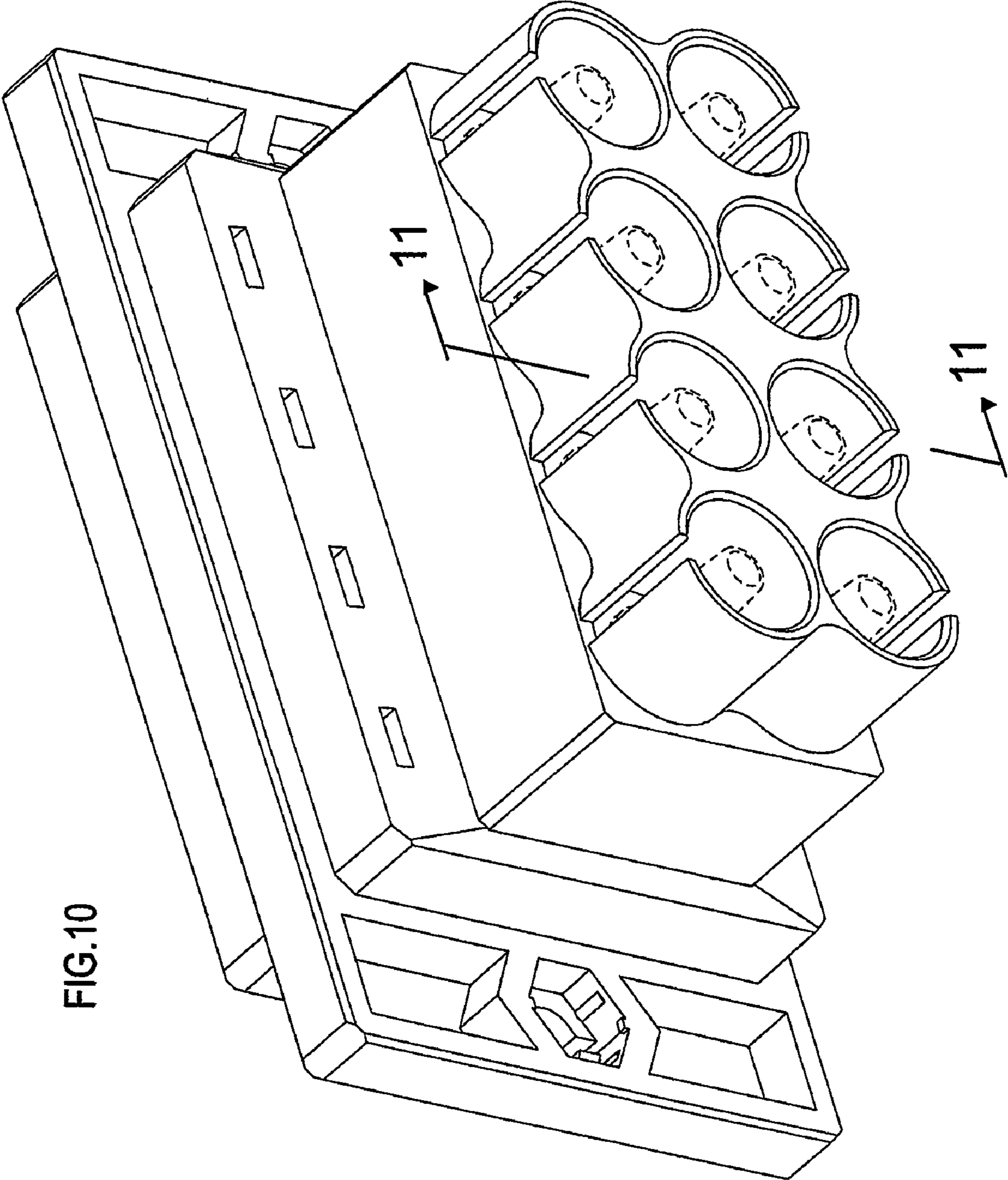


FIG.10

FIG. 11

