



US00D561101S

(12) **United States Design Patent**
Sakamoto

(10) **Patent No.:** **US D561,101 S**
(45) **Date of Patent:** **** Feb. 5, 2008**

(54) **FEMALE-TYPE TUBE CONNECTOR HOUSING**

(75) Inventor: **Tetsuma Sakamoto**, Tokyo (JP)

(73) Assignee: **Tyco Electronics AMP K.K.**, Kanagawa-ken (JP)

(**) Term: **14 Years**

(21) Appl. No.: **29/250,747**

(22) Filed: **Nov. 30, 2006**

(30) **Foreign Application Priority Data**

May 31, 2006 (JP) 2006-013791

(51) **LOC (8) Cl.** **13-03**

(52) **U.S. Cl.** **D13/133**

(58) **Field of Classification Search** D13/133, D13/154, 184, 146-147; 439/248, 350, 352-354, 439/357, 603, 607, 660, 677, 680-682, 752
See application file for complete search history.

(56) **References Cited**

U.S. PATENT DOCUMENTS

| | | | | | |
|--------------|------|---------|---------------|-------|---------|
| 3,824,524 | A * | 7/1974 | Glover | | 439/282 |
| D253,409 | S * | 11/1979 | Voelkert | | D13/133 |
| D271,196 | S * | 11/1983 | Tetreault | | D13/133 |
| 4,762,388 | A * | 8/1988 | Tanaka et al. | | 385/58 |
| D318,718 | S * | 7/1991 | Blatt | | D23/262 |
| D319,813 | S * | 9/1991 | Kozono | | D13/133 |
| D474,447 | S * | 5/2003 | Kano | | D13/133 |
| D475,014 | S * | 5/2003 | Kano | | D13/133 |
| D552,034 | S * | 10/2007 | Hobson et al. | | D13/133 |
| 2006/0110978 | A1 * | 5/2006 | Fan et al. | | 439/607 |

* cited by examiner

Primary Examiner—Daniel Bui
(74) *Attorney, Agent, or Firm*—Barley Snyder LLC

(57) **CLAIM**

The ornamental design for a female-type tube connector housing, as shown and described.

DESCRIPTION

FIG. 1 is a front elevation view of a female-type tube connector housing, showing my new design;

FIG. 2 is a top plan view thereof;

FIG. 3 is a bottom plan view thereof;

FIG. 4 is a right side elevation view thereof;

FIG. 5 is a left side elevation view thereof;

FIG. 6 is a rear elevation view thereof;

FIG. 7 is a reference top, front and left side perspective view thereof;

FIG. 8 is a reference bottom, rear and left side perspective view thereof;

FIG. 9 is a reference top, front and left side perspective view thereof, in use condition;

FIG. 10 is a reference bottom, rear and left side perspective view thereof, in use condition; and,

FIG. 11 is a cross-sectional view thereof taken along line 11—11 in FIG. 10.

The broken line showing of the environment is for illustrative purposes only and forms no part of the claimed design.

1 Claim, 11 Drawing Sheets

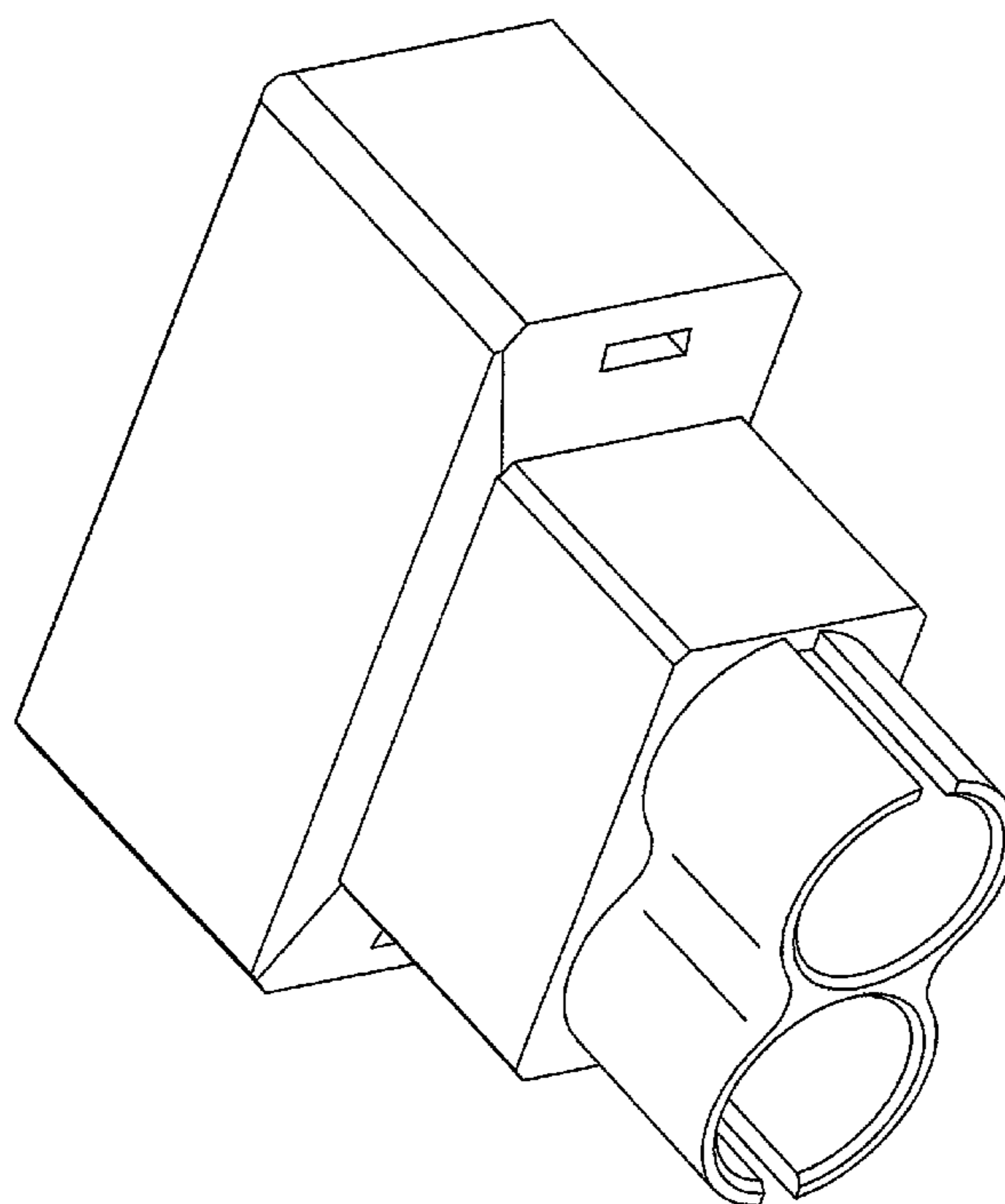


FIG.1

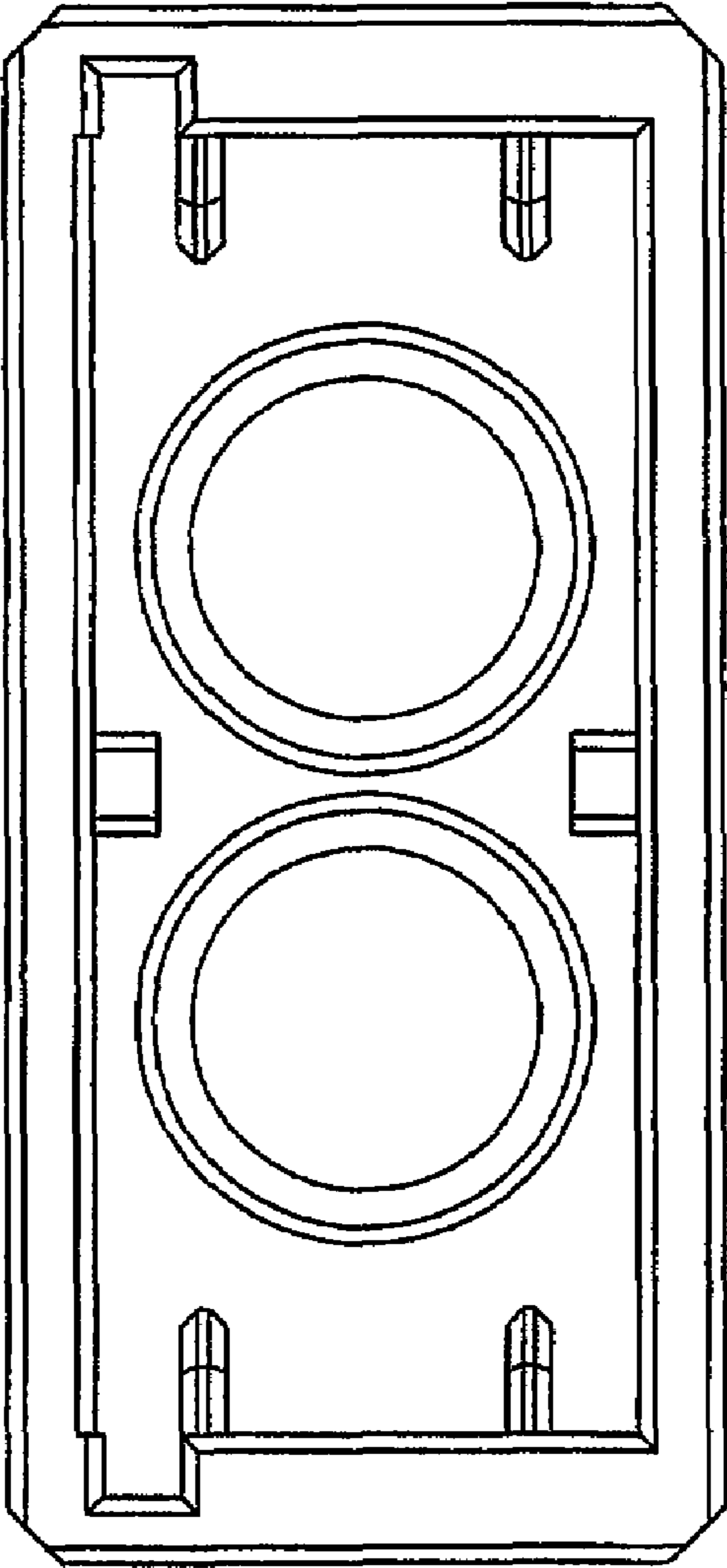


FIG.2

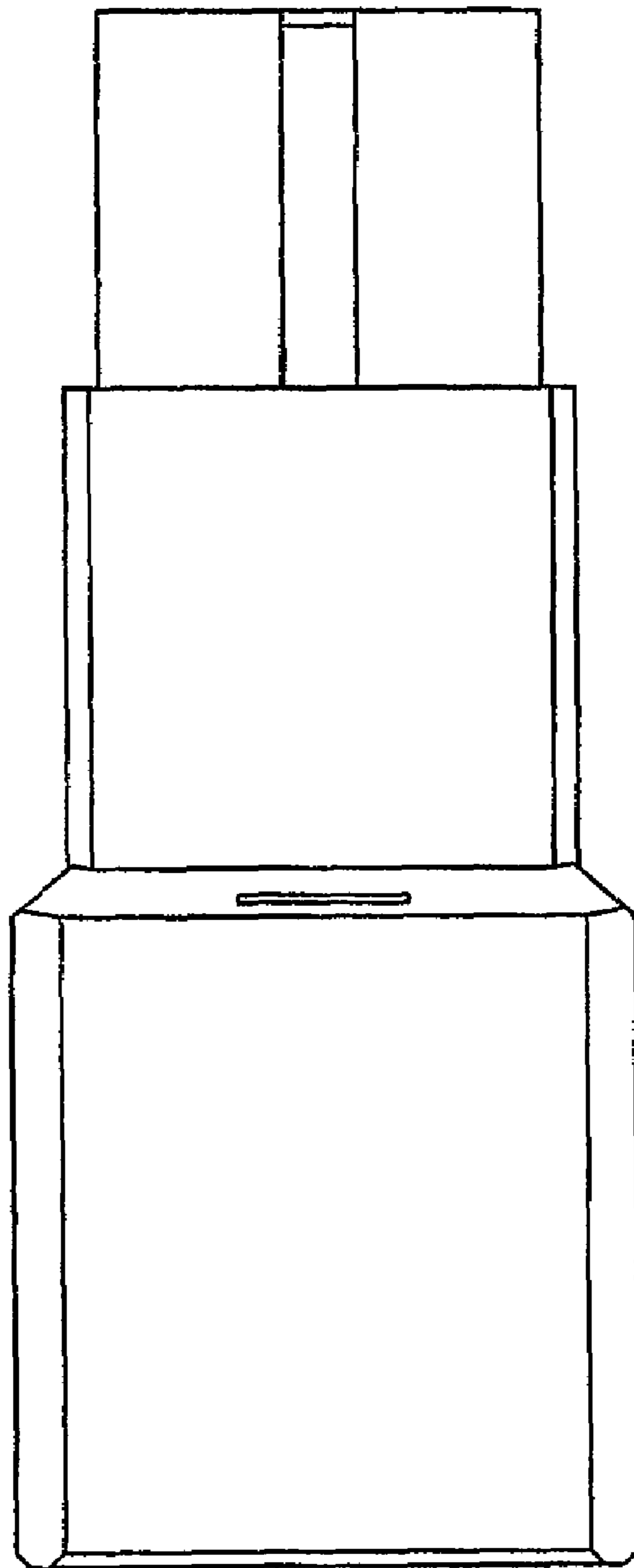


FIG.3

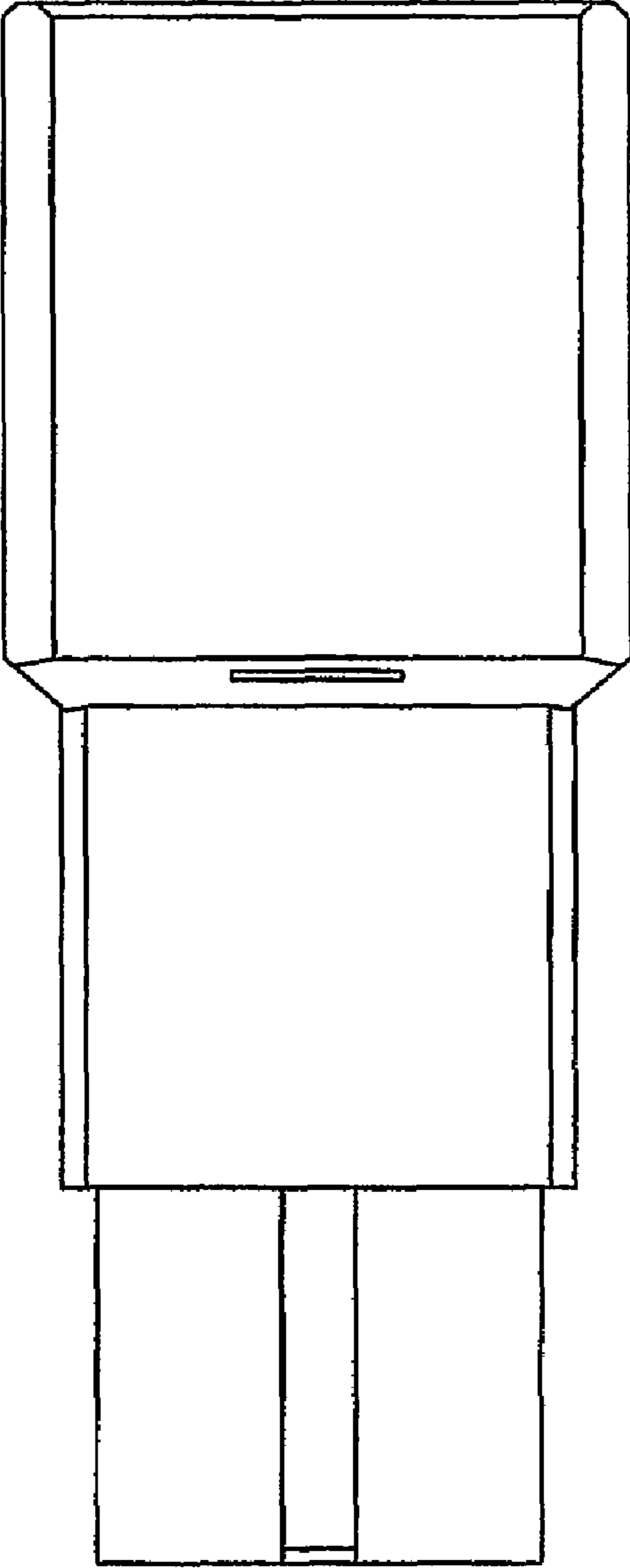


FIG.4

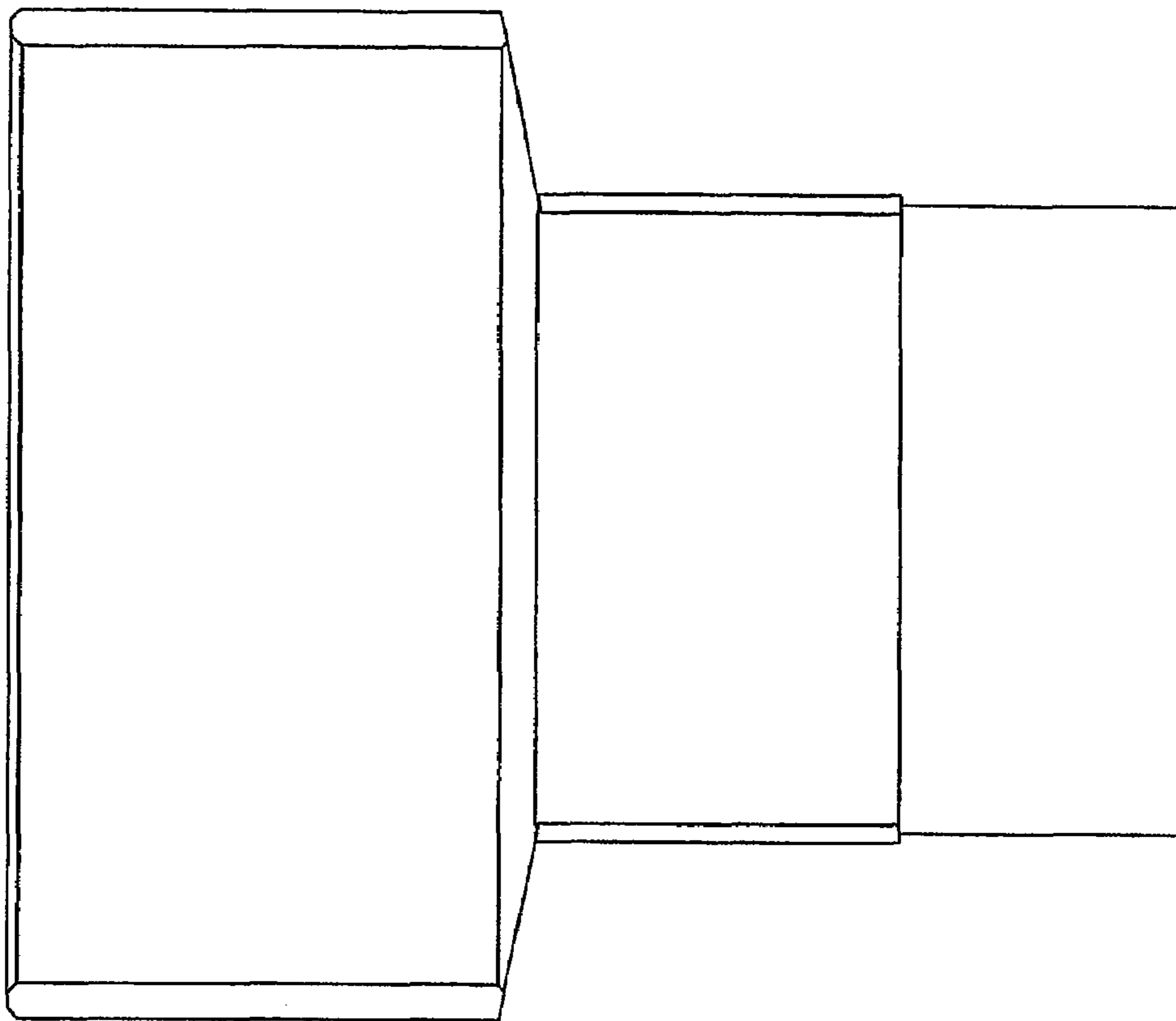


FIG.5

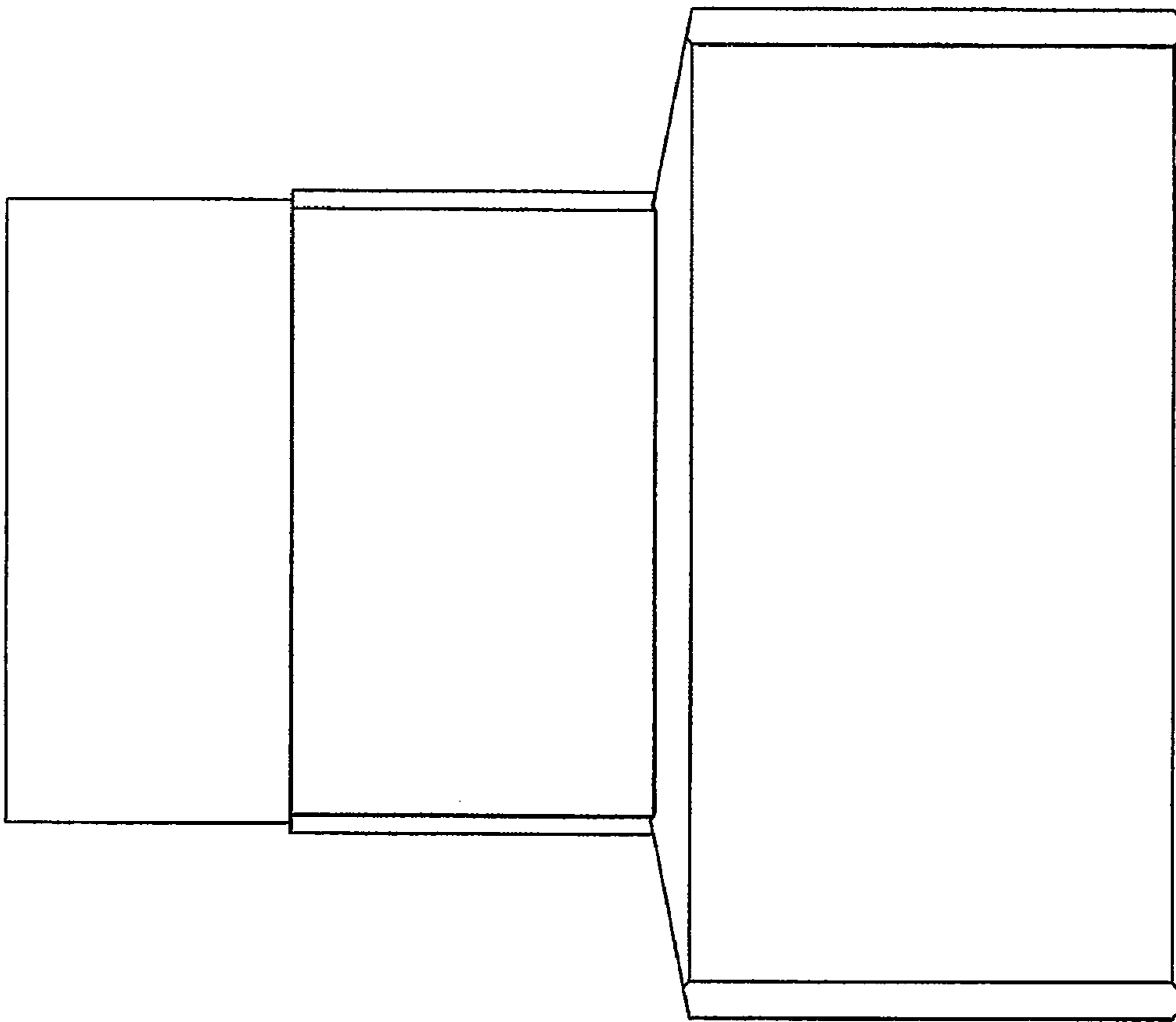


FIG.6

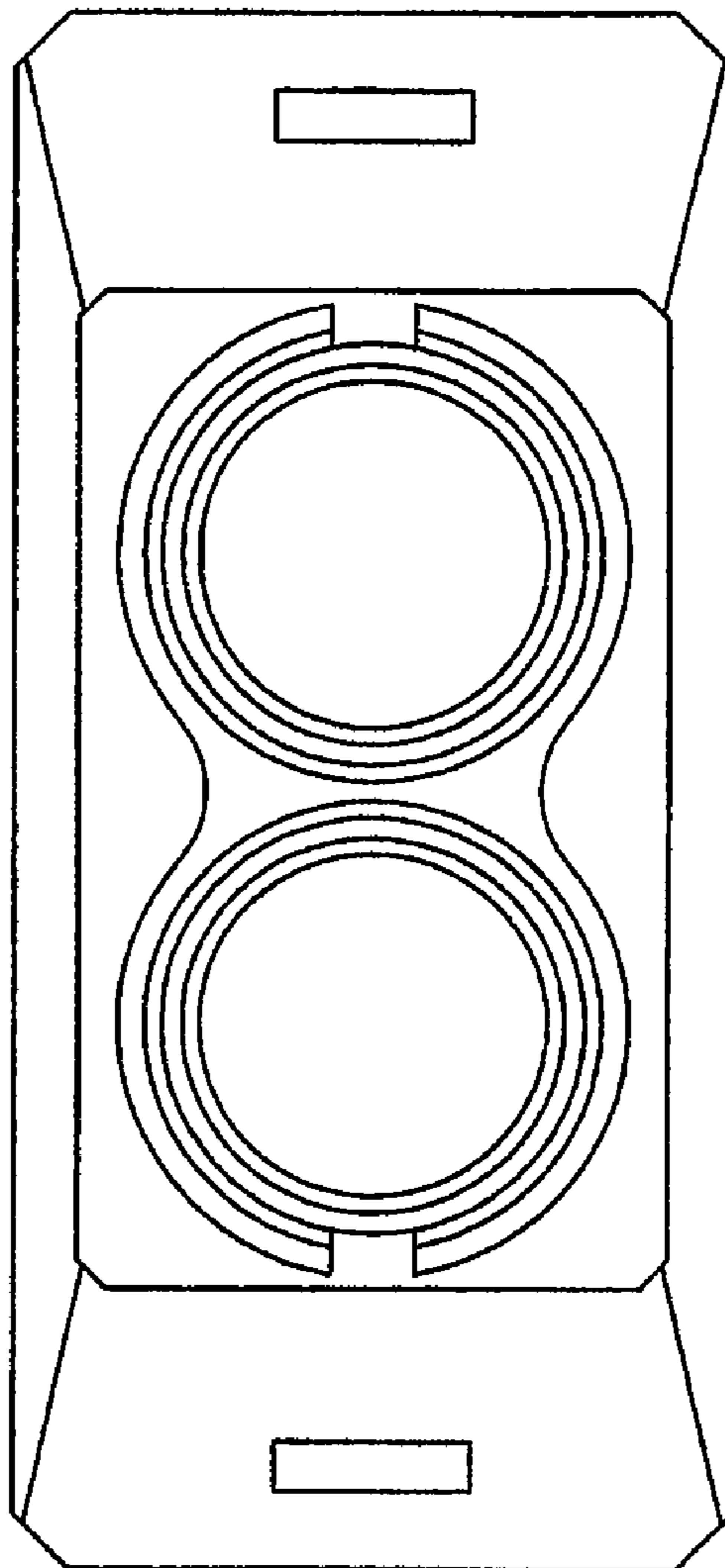


FIG.7

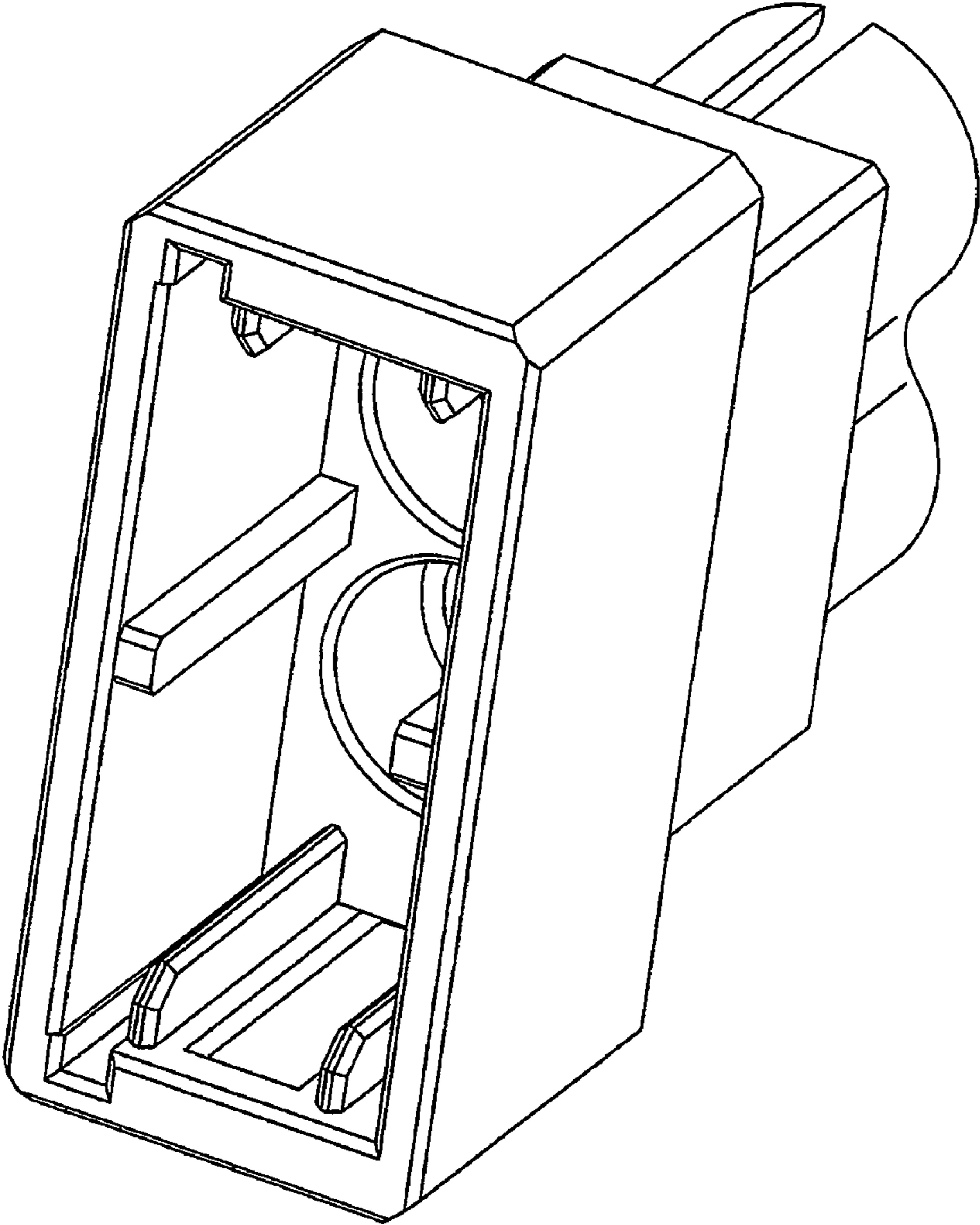


FIG.8

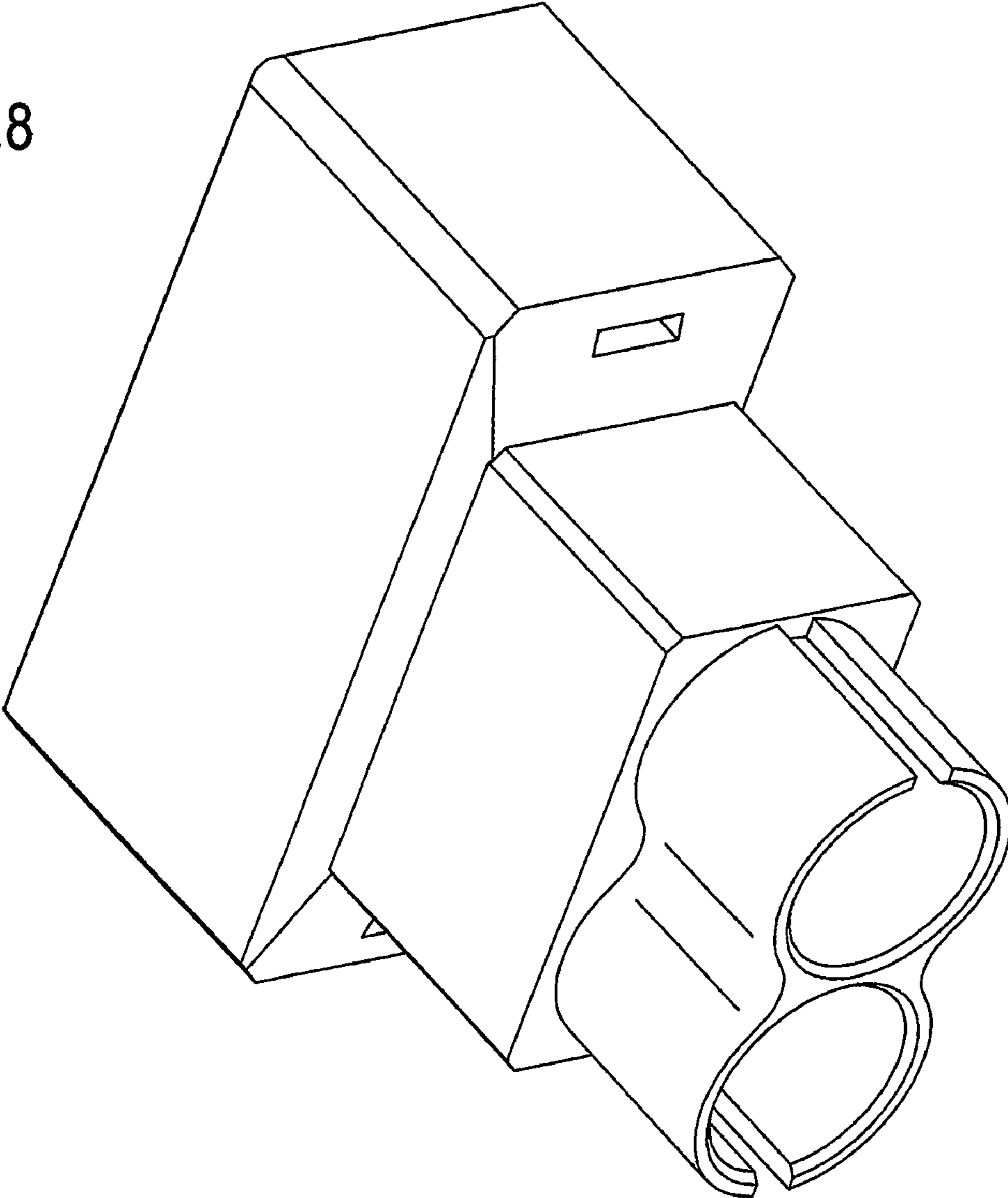


FIG.9

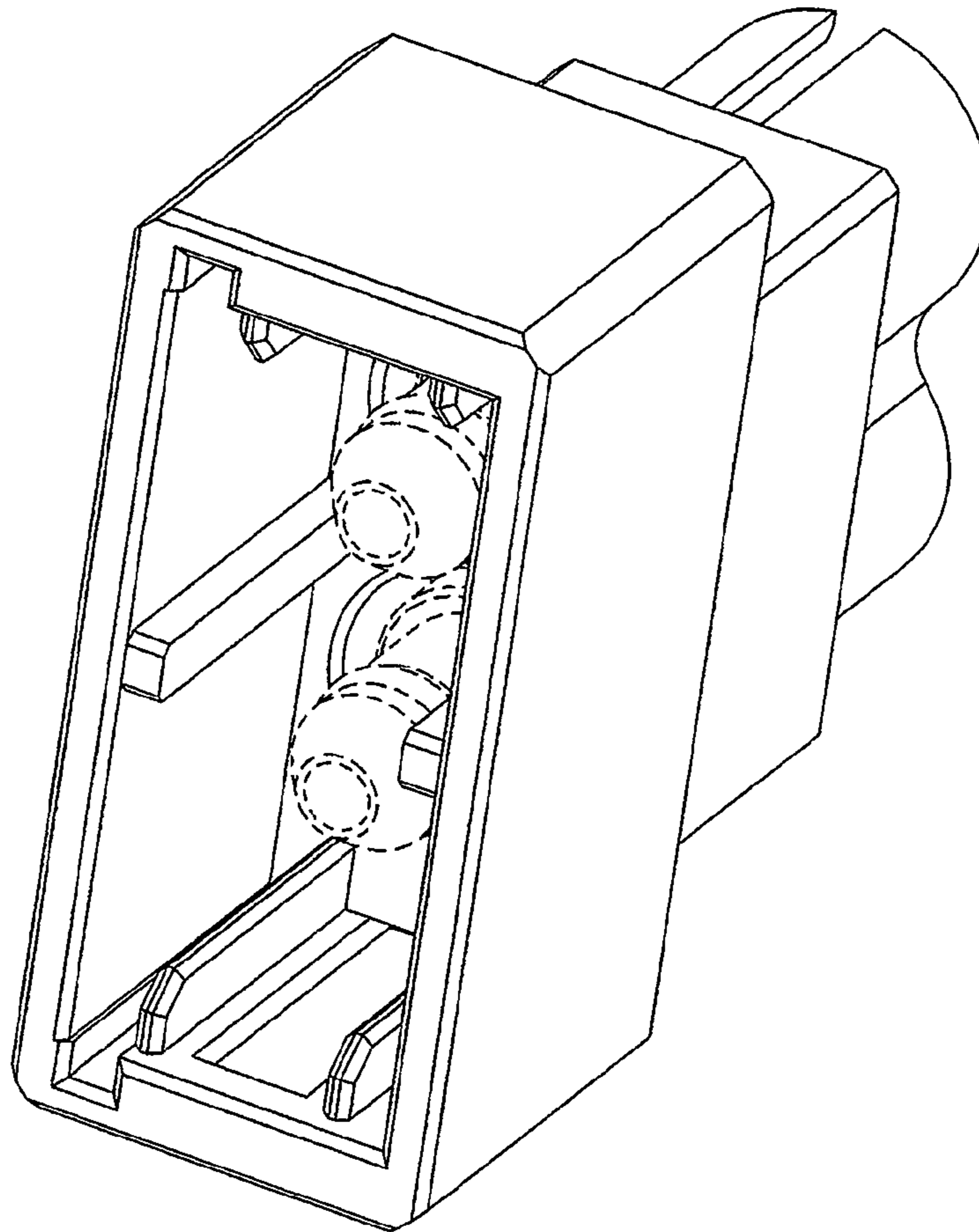


FIG.10

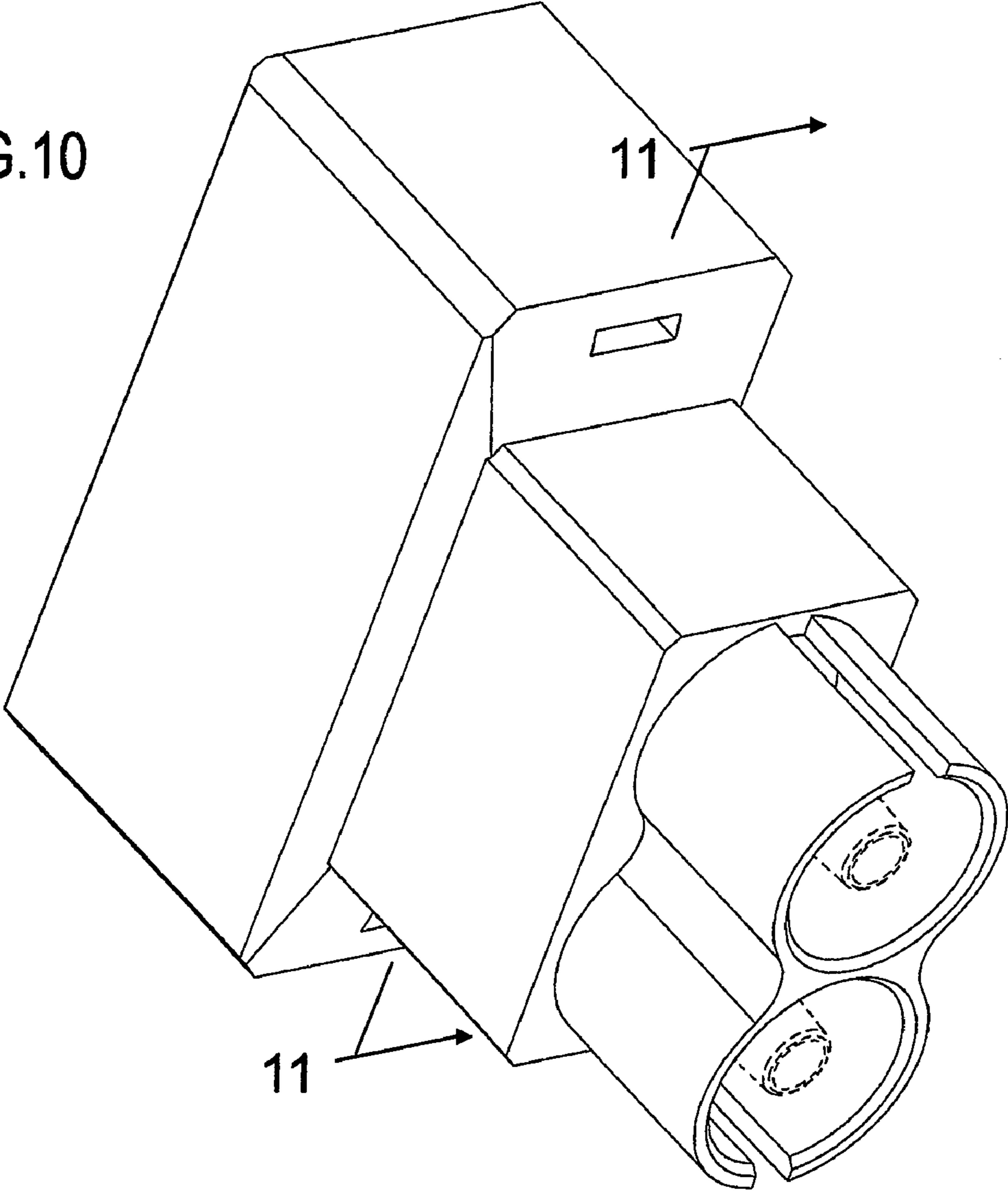


FIG. 11

