



US00D561100S

(12) **United States Design Patent**
Hsu et al.

(10) **Patent No.:** **US D561,100 S**
(45) **Date of Patent:** **** Feb. 5, 2008**

(54) **BATTERY CONNECTOR**

(75) Inventors: **Chang-Shin Hsu**, Tu-Cheng (TW);
Gao-Feng Wang, ShenZhen (CN)

(73) Assignee: **Hon Hai Precision Ind. Co., Ltd.**,
Taipei Hsien (TW)

(**) Term: **14 Years**

(21) Appl. No.: **29/272,518**

(22) Filed: **Feb. 8, 2007**

(51) **LOC (8) Cl.** **13-03**

(52) **U.S. Cl.** **D13/120; D13/147**

(58) **Field of Classification Search** D13/120,
D13/133, 146-147, 184, 199; 439/108, 577,
439/630, 660, 680, 773, 862

See application file for complete search history.

(56) **References Cited**

U.S. PATENT DOCUMENTS

5,752,841	A *	5/1998	Hori	439/108
D419,133	S *	1/2000	Yoshida et al.	D13/120
6,068,519	A *	5/2000	Lok	439/660
6,113,440	A *	9/2000	Fijten et al.	439/862
D455,126	S *	4/2002	Wu	D13/147
D485,807	S *	1/2004	Kao et al.	D13/133
D486,448	S *	2/2004	Watanabe et al.	D13/120
6,702,621	B2 *	3/2004	Yeh	439/660
6,951,488	B2 *	10/2005	Hsieh	439/660

D529,443	S *	10/2006	Chien	D13/147
D538,228	S *	3/2007	Wang et al.	D13/146
2003/0190848	A1 *	10/2003	Wu	439/862

* cited by examiner

Primary Examiner—Cathron Brooks

Assistant Examiner—Rosemary K Tarcza

(74) *Attorney, Agent, or Firm*—Wei Te Chung

(57) **CLAIM**

The ornamental design for a battery connector, as shown and described.

DESCRIPTION

FIG. 1 is a front, top and right side perspective view of a battery connector showing an embodiment of our new design;

FIG. 2 is a front elevational view thereof;

FIG. 3 is a rear elevational view thereof;

FIG. 4 is a left side elevational view thereof;

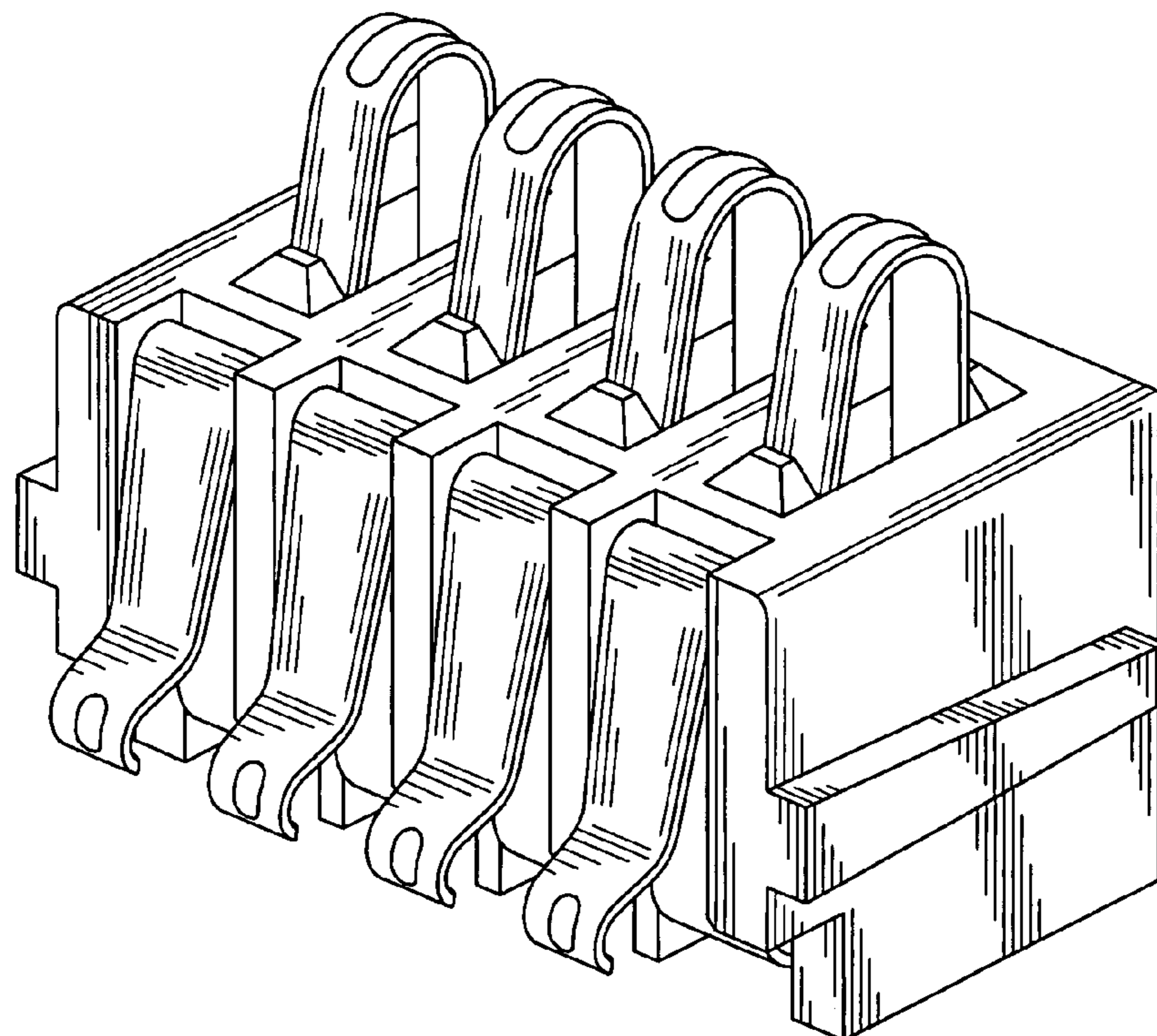
FIG. 5 is a right side elevational view thereof;

FIG. 6 is a top plan view thereof; and,

FIG. 7 is a bottom plan view thereof.

The broken line showing is included for the purpose of illustrating environmental features and forms no part of the claimed design.

1 Claim, 7 Drawing Sheets



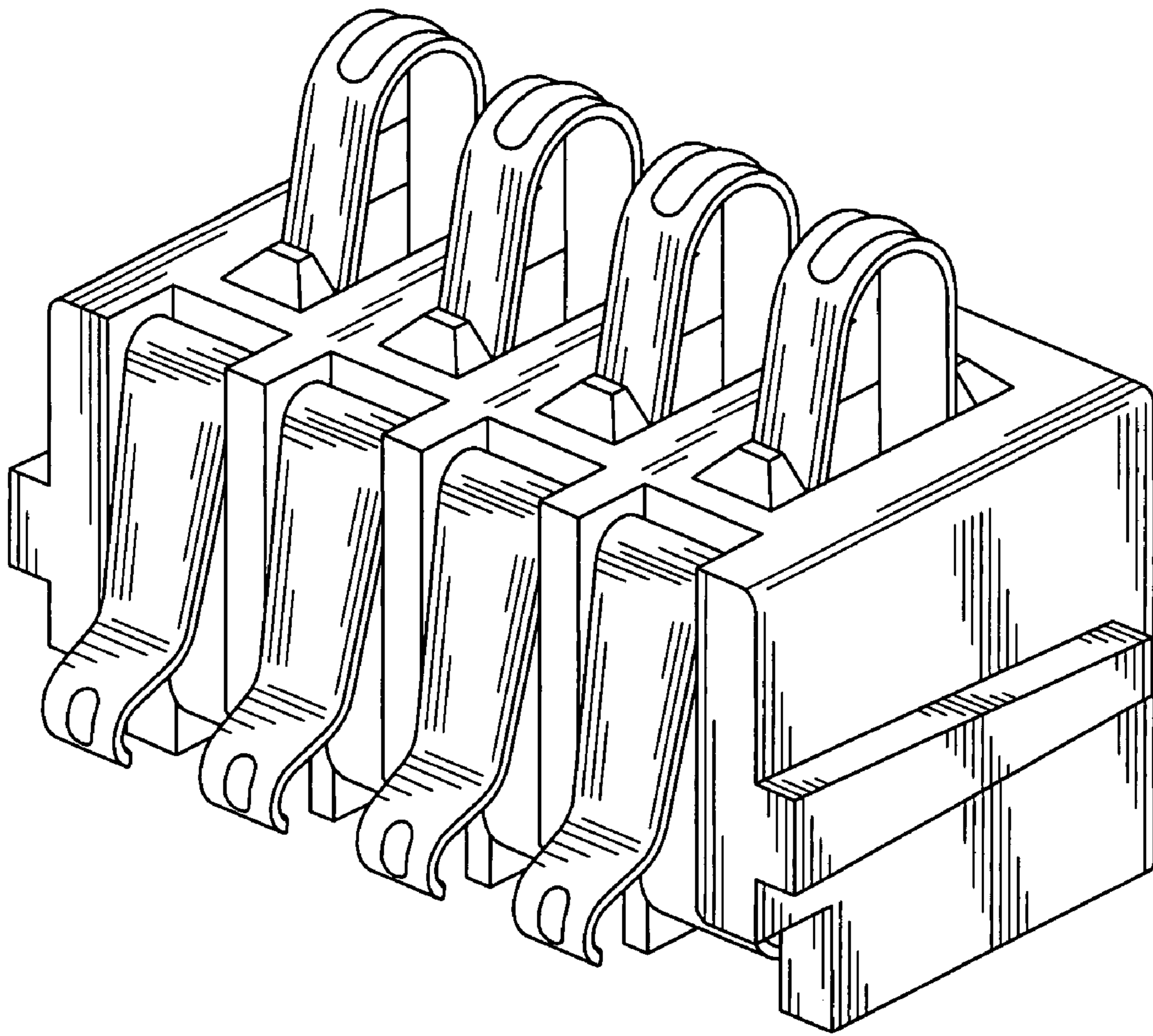


FIG. 1

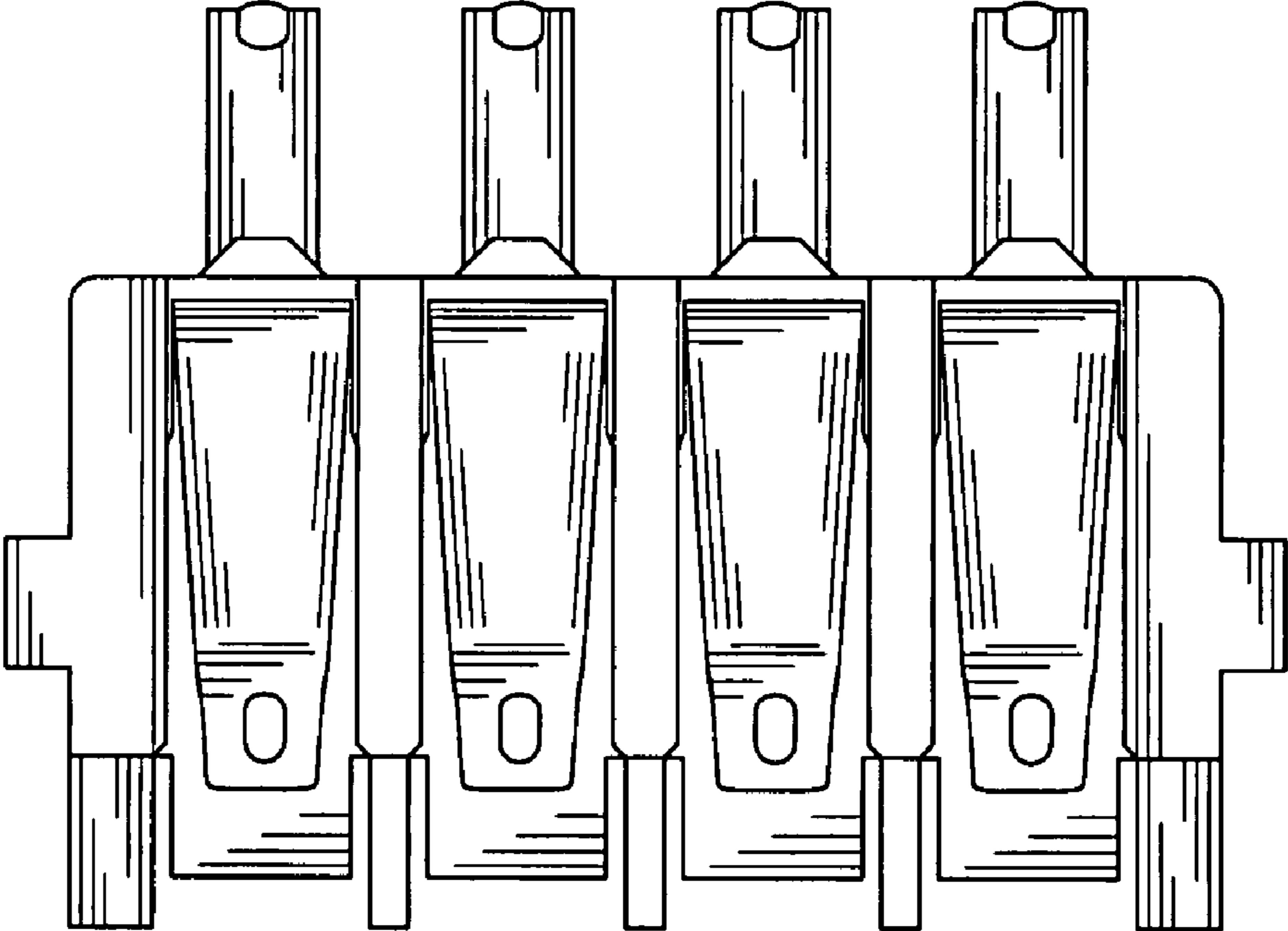


FIG. 2

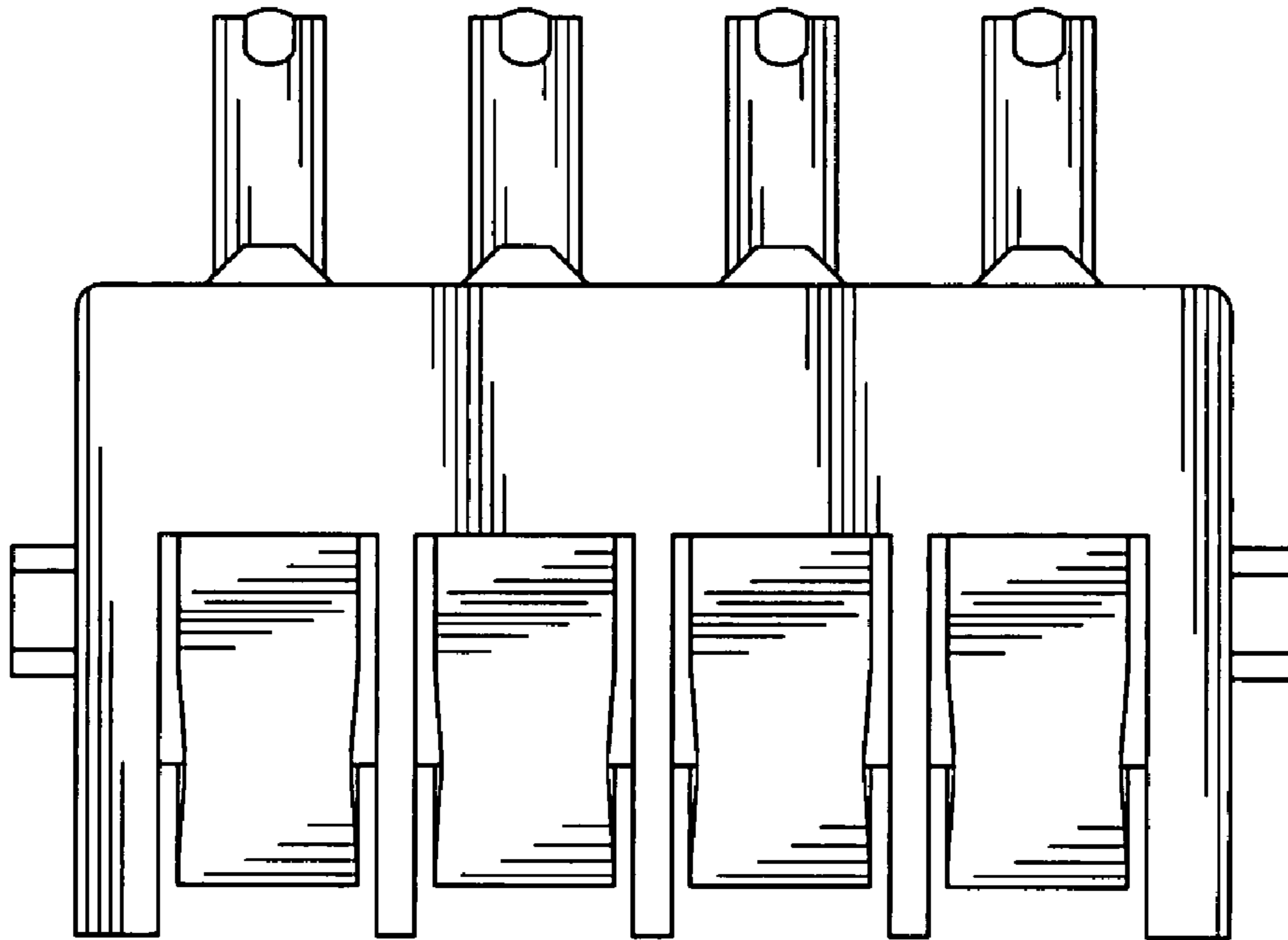


FIG. 3

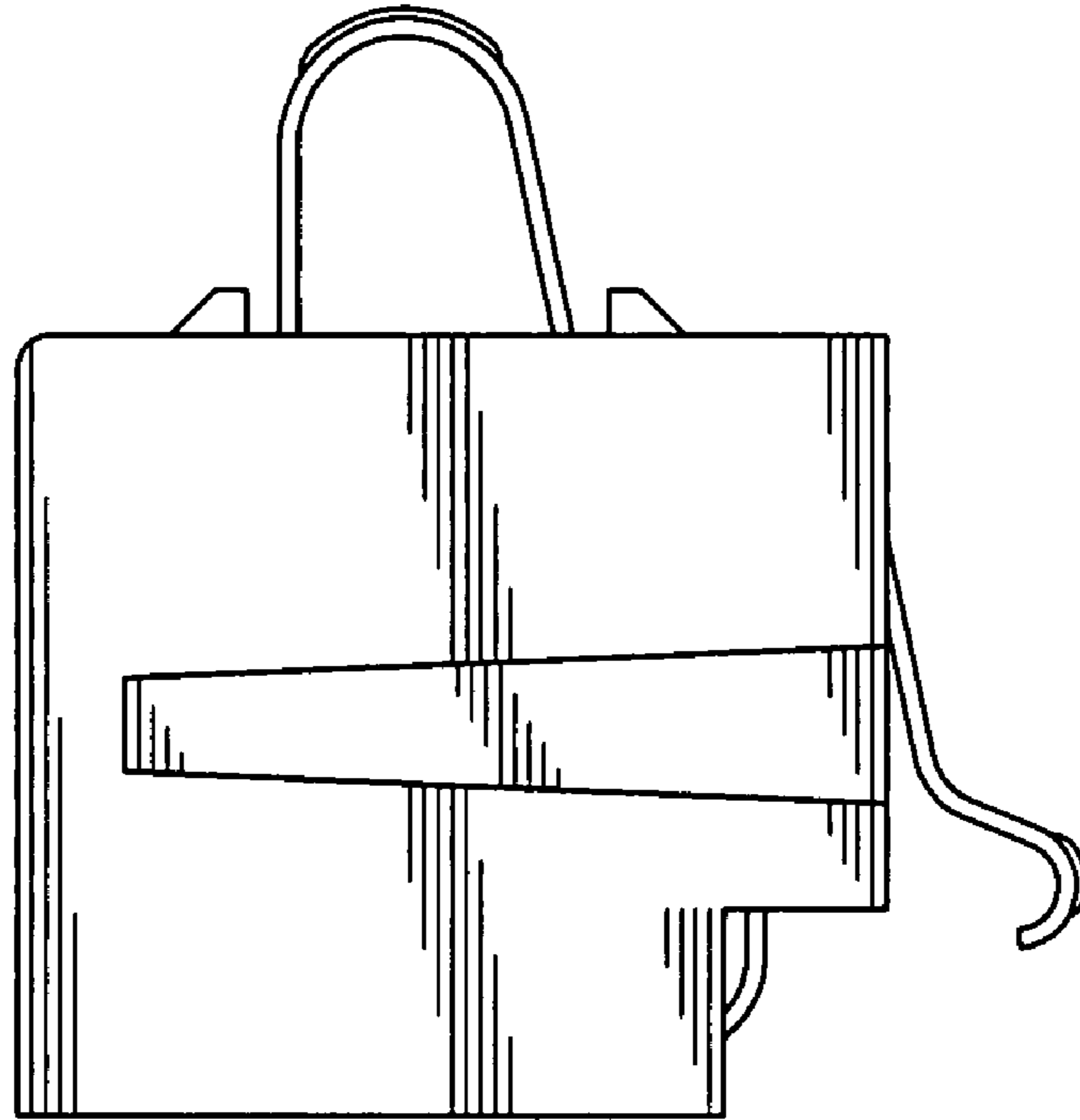


FIG. 4

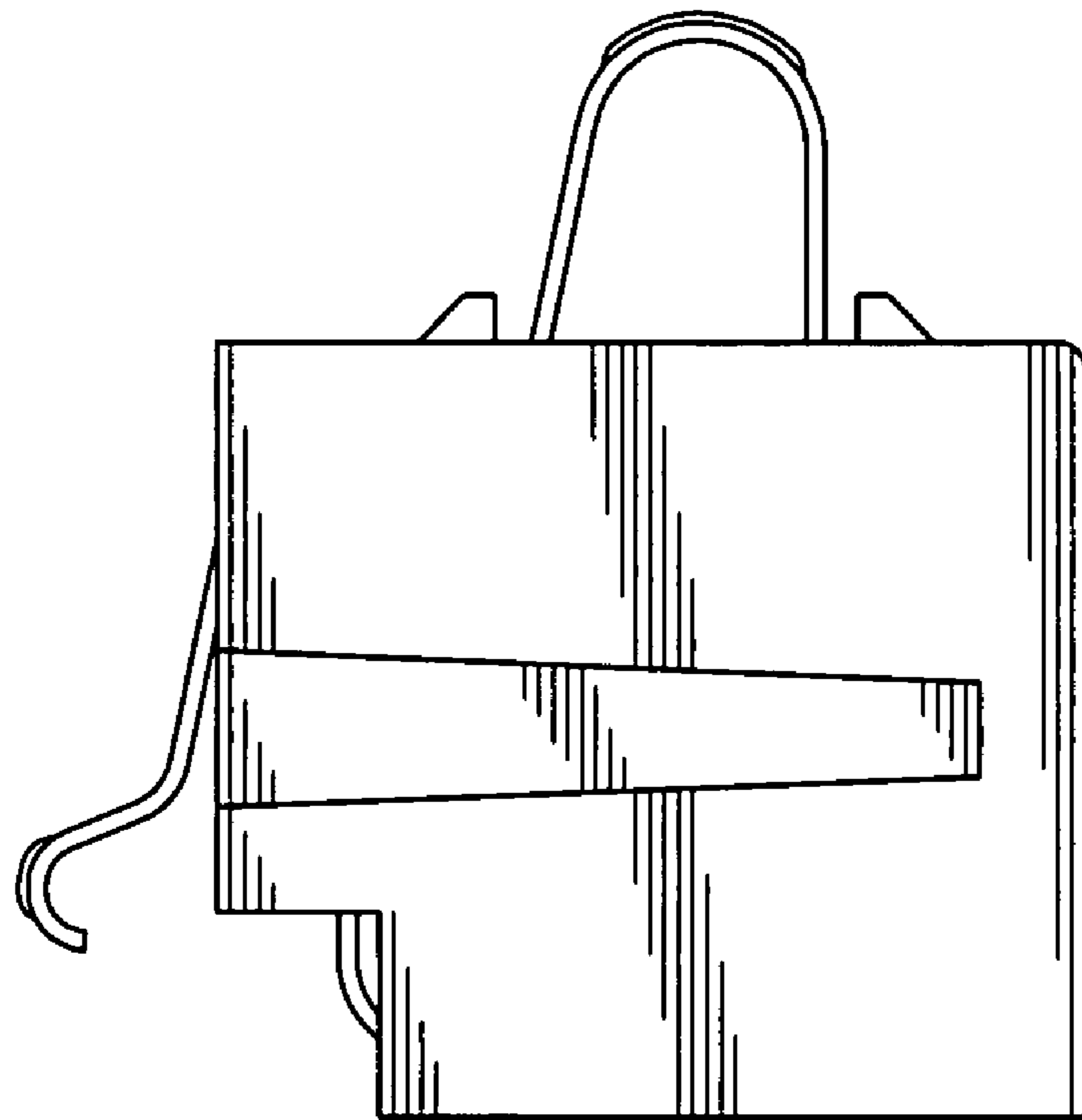


FIG. 5

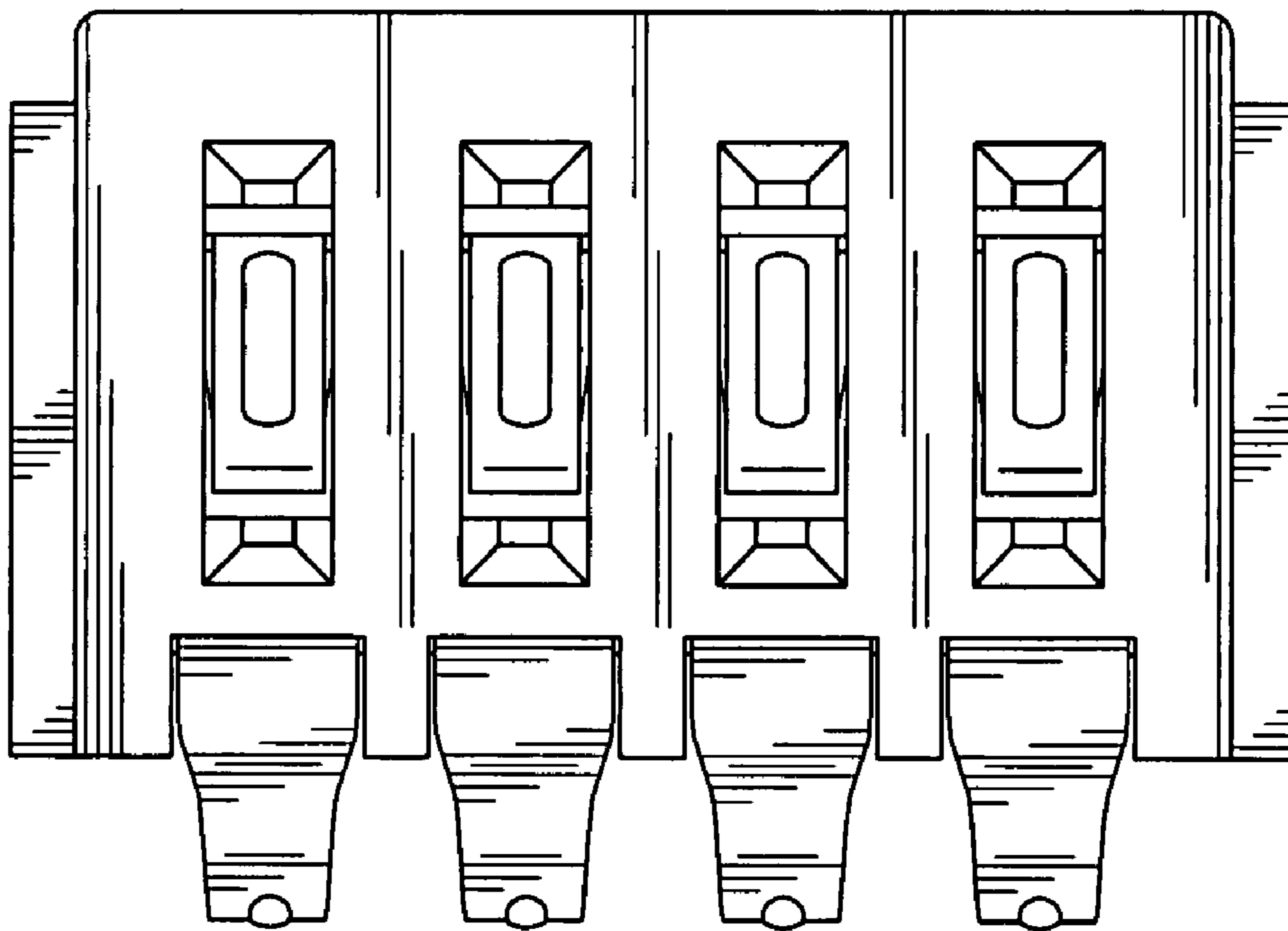


FIG. 6

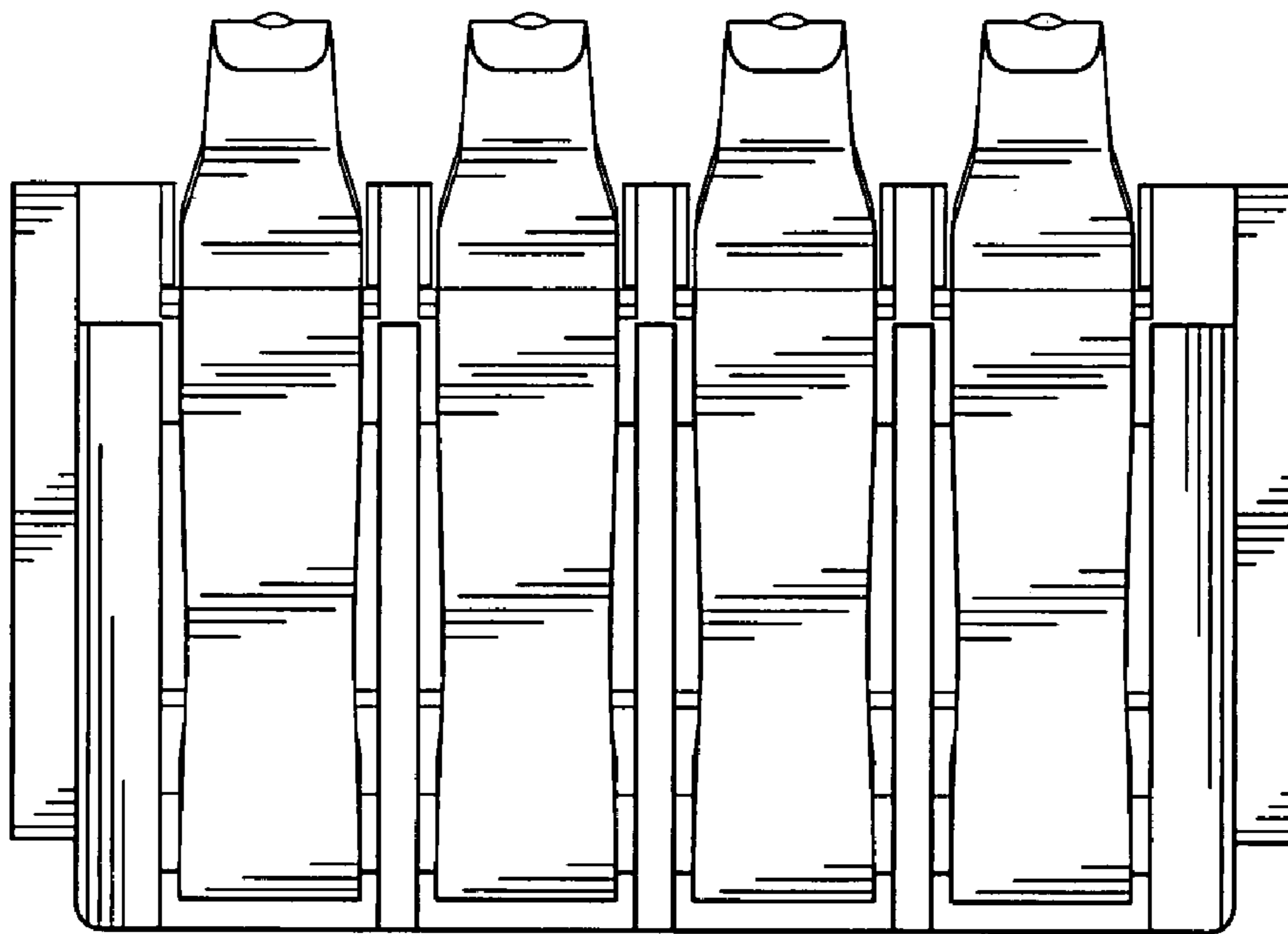


FIG. 7