



US00D561097S

(12) **United States Design Patent**
Koeske

(10) **Patent No.:** **US D561,097 S**

(45) **Date of Patent:** **** Feb. 5, 2008**

(54) **BATTERY TRAY**

(76) Inventor: **Timothy John Koeske**, 6612
Hemingway Dr., San Diego, CA (US)
92120

(**) Term: **14 Years**

(21) Appl. No.: **29/276,782**

(22) Filed: **Feb. 5, 2007**

(51) **LOC (8) Cl.** **13-02**

(52) **U.S. Cl.** **D13/119**

(58) **Field of Classification Search** D13/118-119,
D13/184; D6/466, 475, 476, 479; 211/71.01,
211/126.1, 126.12, 49.1; 429/96, 99, 100;
180/68.5; 248/503

See application file for complete search history.

(56) **References Cited**

U.S. PATENT DOCUMENTS

D269,672 S *	7/1983	Seltzer et al.	D13/119
D269,868 S *	7/1983	Seltzer et al.	D13/119
4,992,987 A *	2/1991	Echols et al.	365/229
D321,856 S *	11/1991	Whitley et al.	D13/119
D340,446 S *	10/1993	Dalesandro	D13/119
D348,046 S *	6/1994	Hulsebus	D13/119
D349,054 S *	7/1994	Cross et al.	D9/455
D372,897 S *	8/1996	Curry et al.	D13/184
2003/0113617 A1 *	6/2003	Gaignerot et al.	429/99

* cited by examiner

Primary Examiner—Cathron Brooks

Assistant Examiner—Rosemary K Tarcza

(74) *Attorney, Agent, or Firm*—Foley & Lardner, LLP

(57) **CLAIM**

We claim the ornamental design for a battery tray, as shown and described.

DESCRIPTION

FIG. 1 is a top plan view of a battery tray of the claimed design;

FIG. 2 is a bottom plan view thereof;

FIG. 3 is a front elevational view thereof;

FIG. 4 is a rear elevational view thereof;

FIG. 5 is a right-side elevational view thereof;

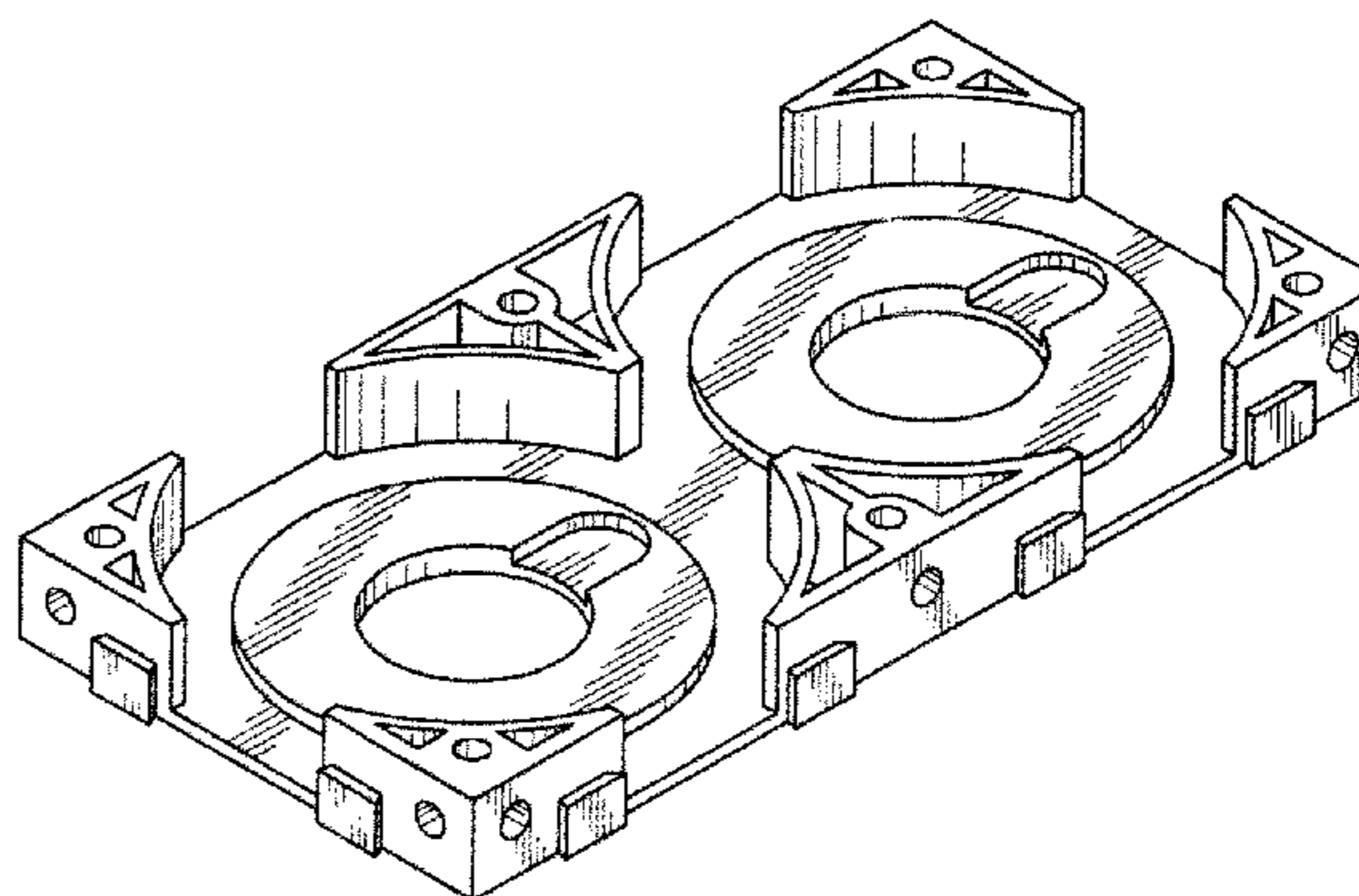
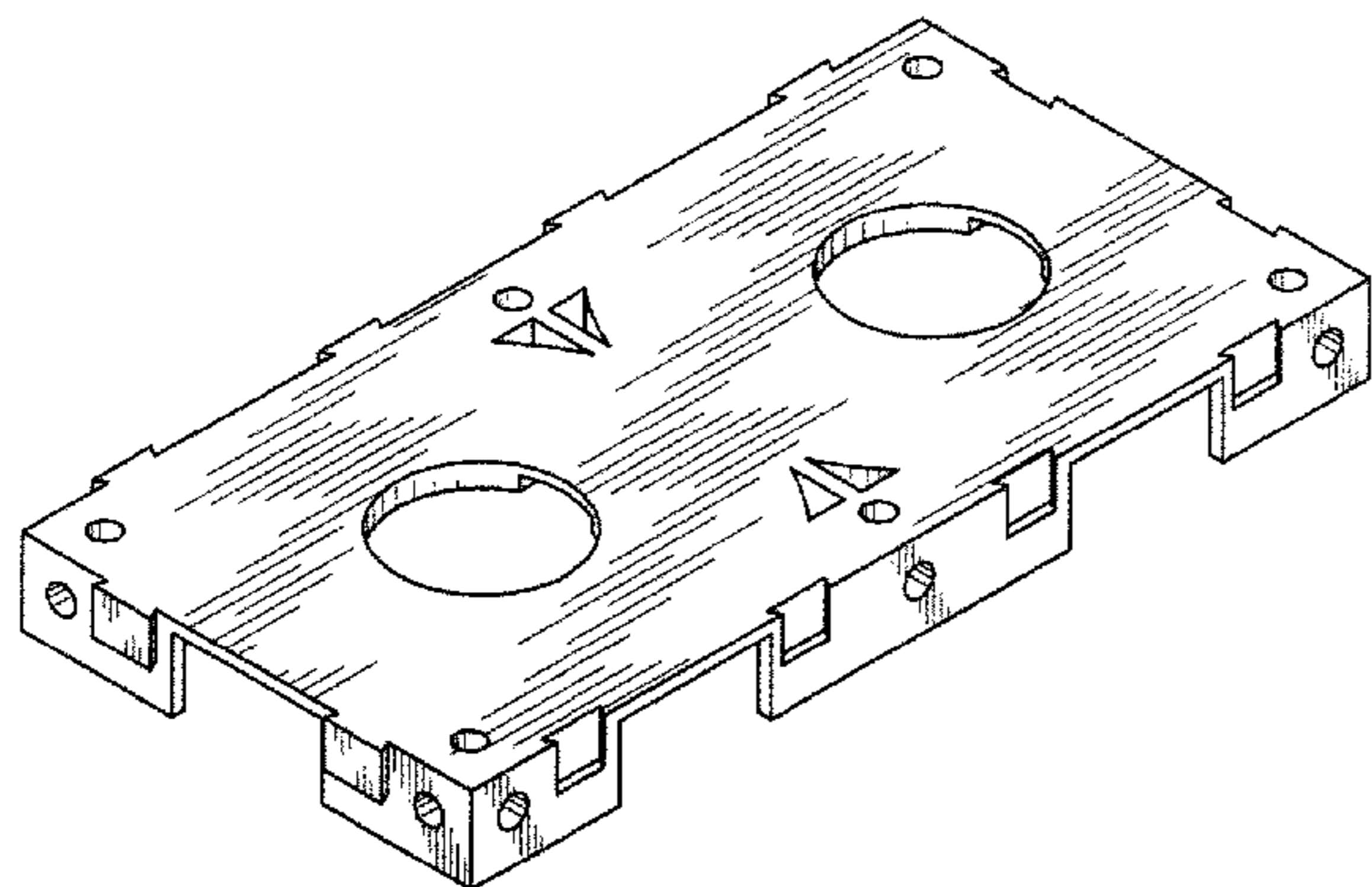
FIG. 6 is a left-side elevational view thereof;

FIG. 7 is a bottom perspective view thereof; and,

FIG. 8 is a top perspective view thereof.

The ornamental design which is claimed is shown in solid lines in the drawings. Any broken lines in the drawings are for illustrative purposes only and form no part of the claimed design.

1 Claim, 3 Drawing Sheets



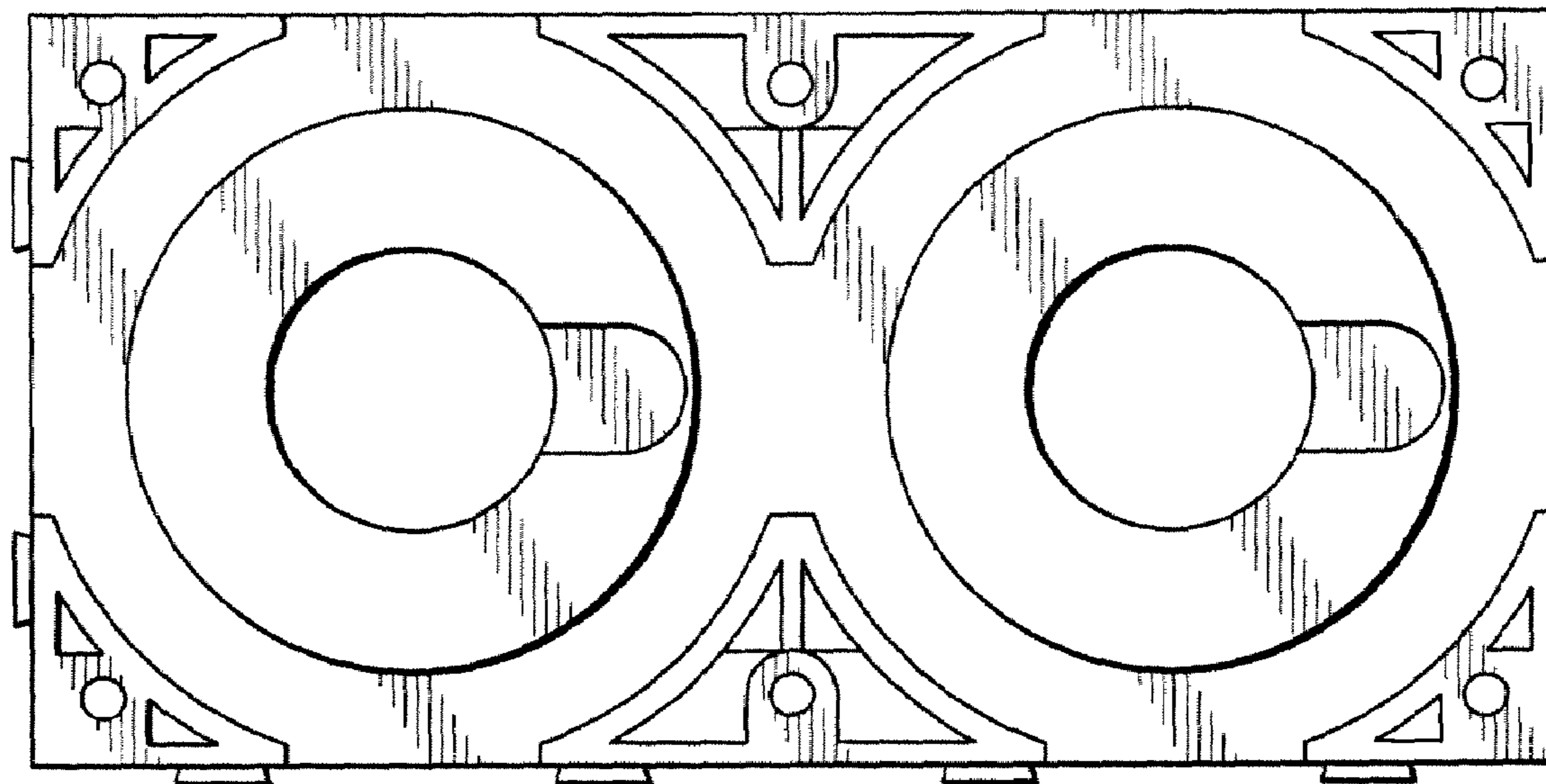


Fig. 1

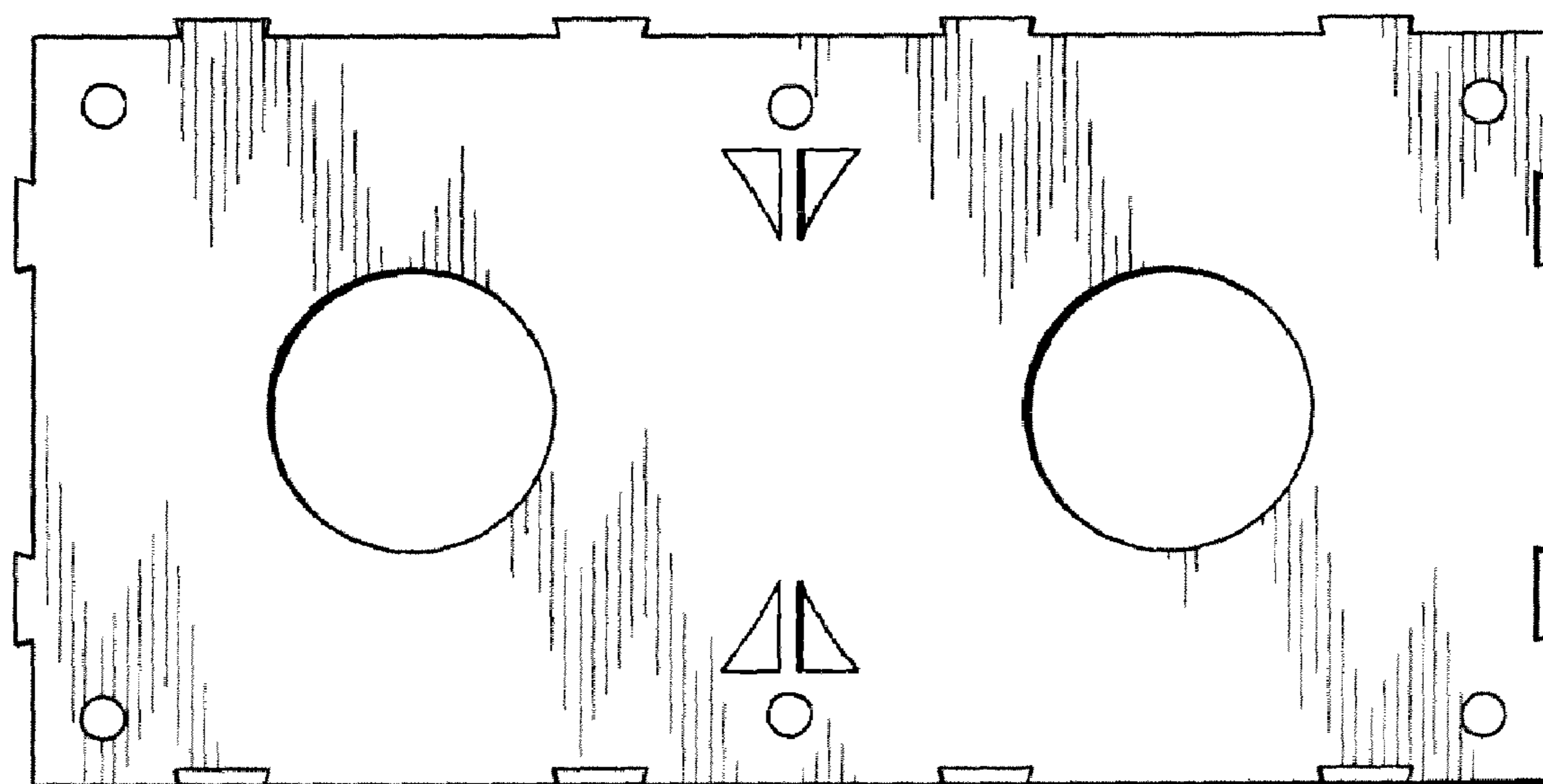


Fig. 2



Fig. 3

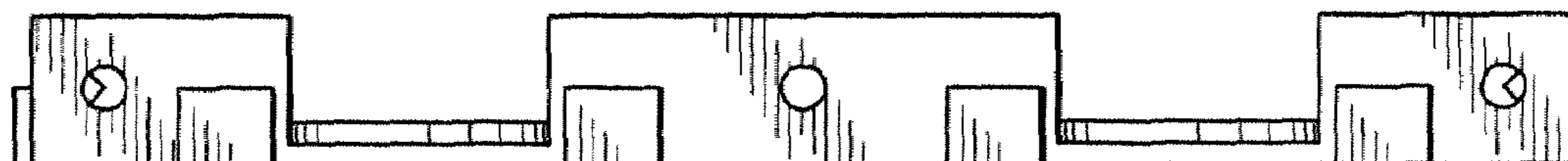


Fig. 4

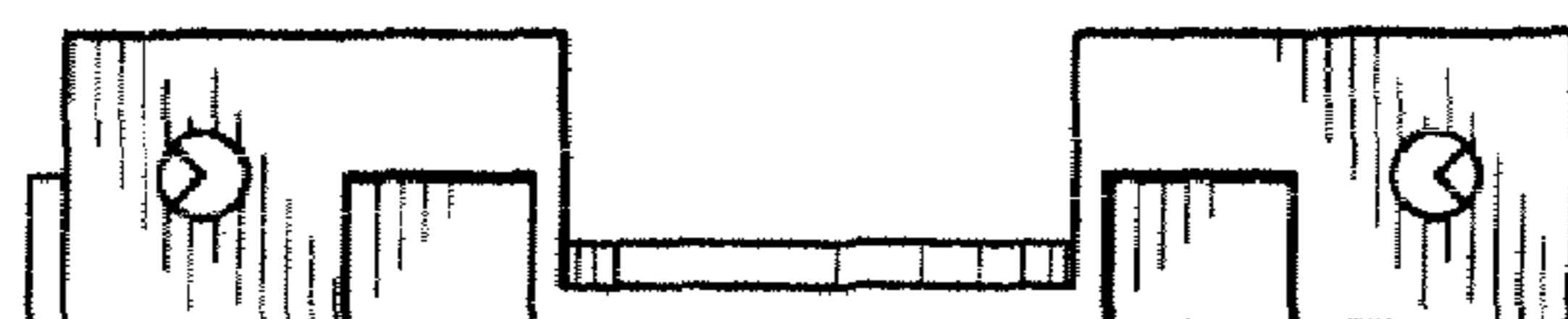


Fig. 5

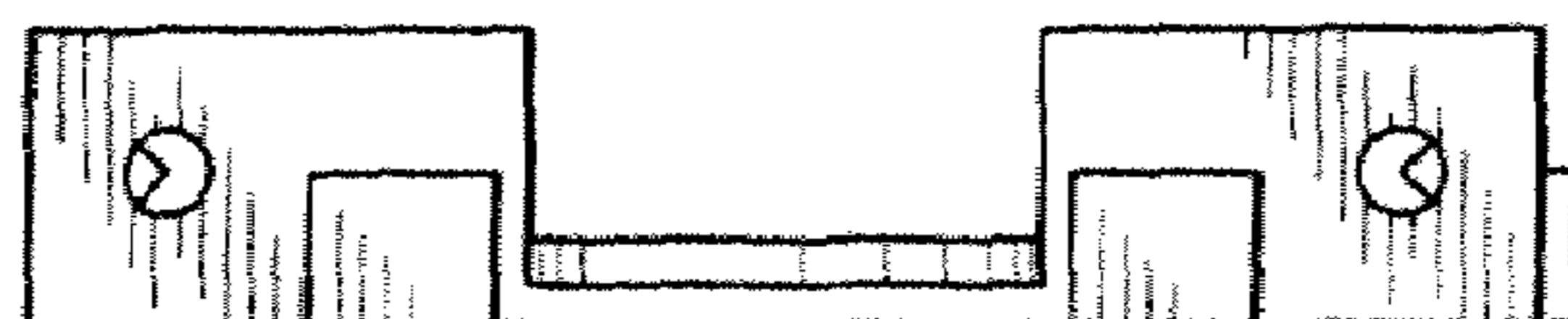


Fig. 6

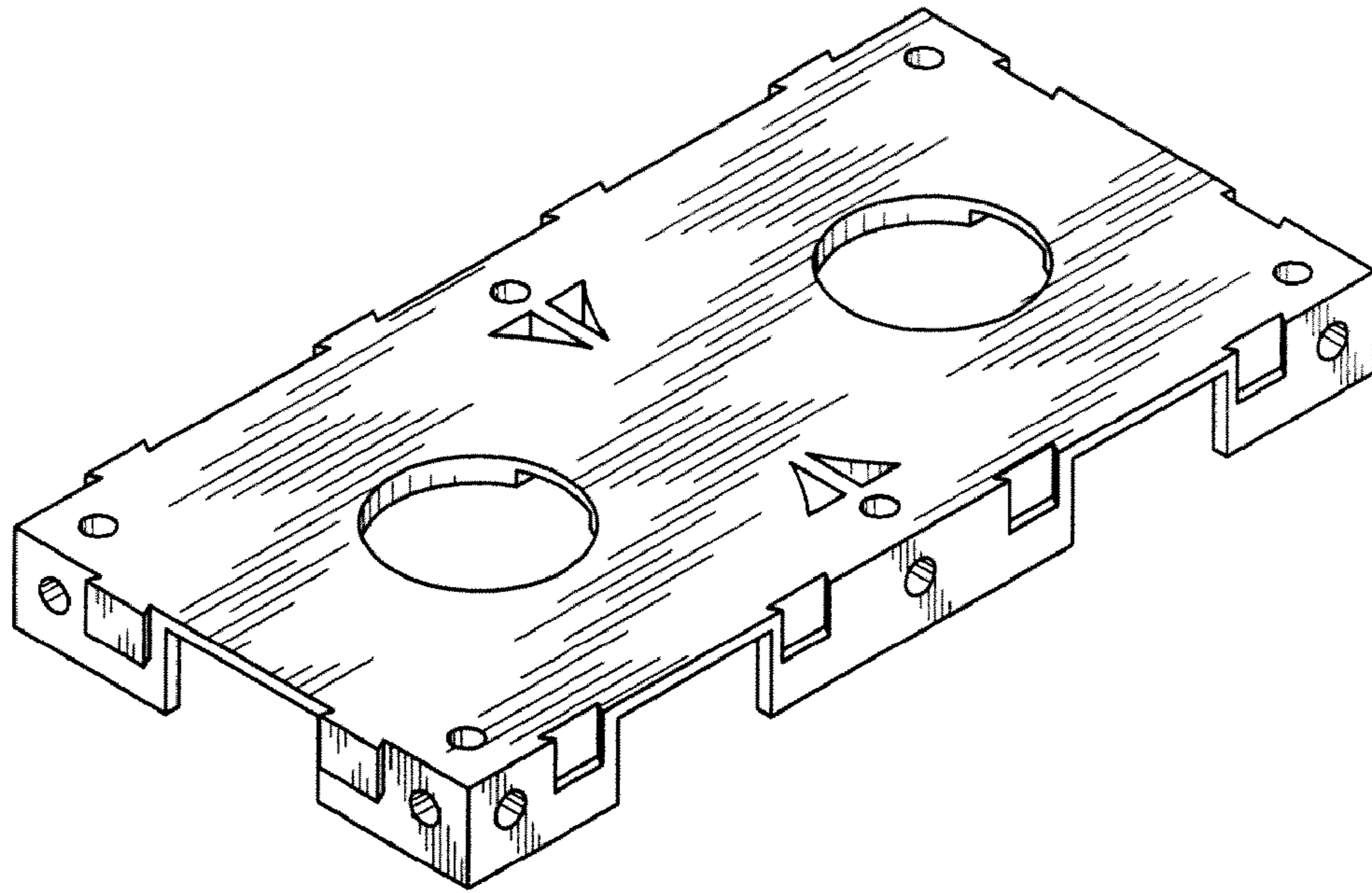


Fig. 7

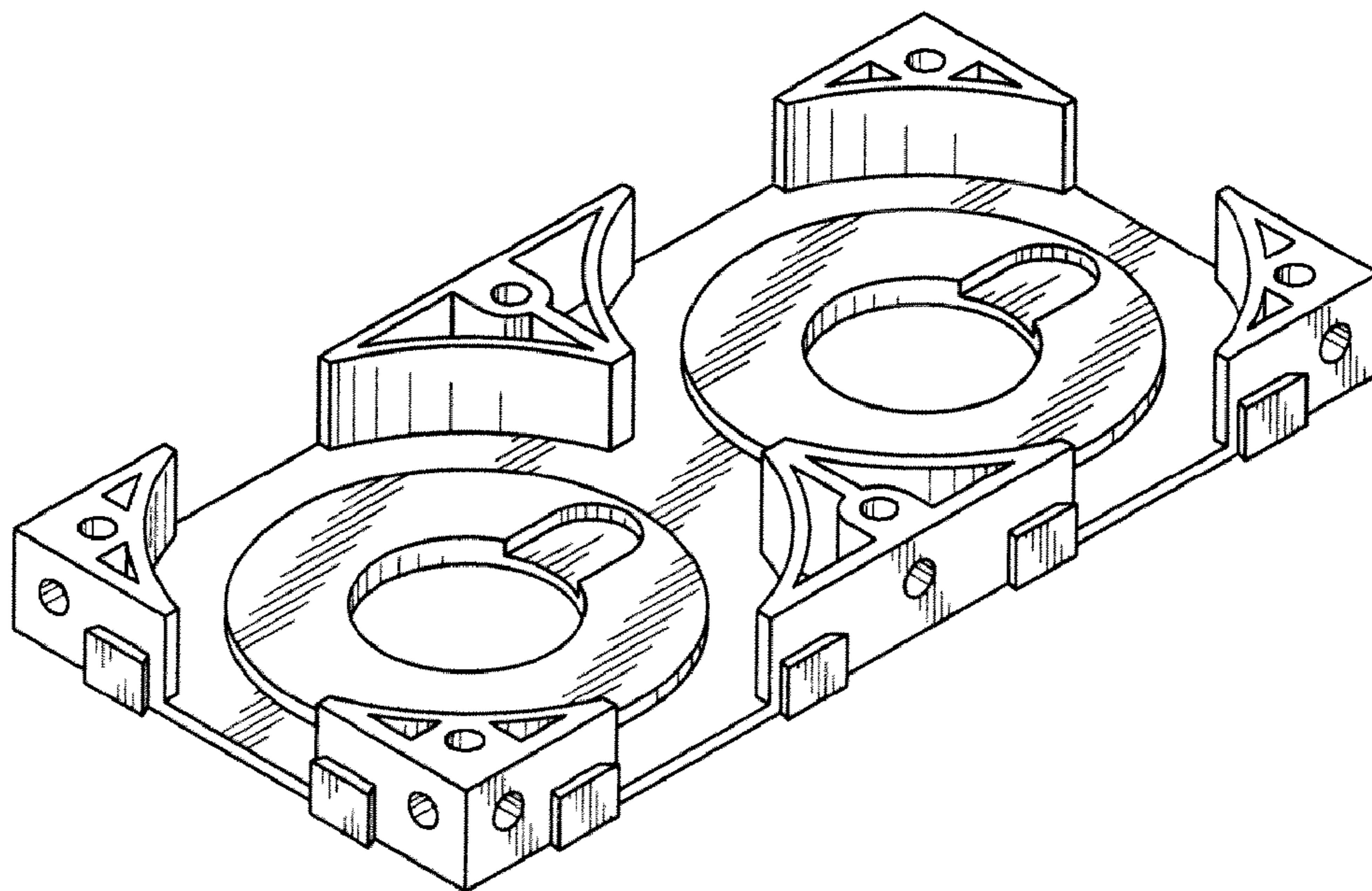


Fig. 8