



US00D561096S

(12) **United States Design Patent**
Wai

(10) **Patent No.:** **US D561,096 S**

(45) **Date of Patent:** **** Feb. 5, 2008**

(54) **DC-PERMANENT-MAGNET MOTOR**

(75) Inventor: **Kwok Chun Wai**, Kowloon (HK)

(73) Assignee: **Electrical Core & Motor Mfg. Ltd.**,
Kowloon (HK)

(**) Term: **14 Years**

(21) Appl. No.: **29/239,347**

(22) Filed: **Sep. 29, 2005**

(30) **Foreign Application Priority Data**

Mar. 29, 2005 (CN) 2005 30 007583

(51) **LOC (8) Cl.** **13-01**

(52) **U.S. Cl.** **D13/112**

(58) **Field of Classification Search** D13/112,
D13/113, 114, 122; D15/5, 7; 97/197, 308;
310/152, 154, 154.01, 177

See application file for complete search history.

(56) **References Cited**

U.S. PATENT DOCUMENTS

D137,172 S * 2/1944 Bluemink D13/112
D213,563 S * 3/1969 Mabuchi D13/112
D239,562 S * 4/1976 Moraga et al. D13/112
4,071,794 A * 1/1978 Schoen 310/154.17
4,445,060 A * 4/1984 Ruhle et al. 310/154.14
4,668,887 A * 5/1987 D'Argouges et al. .. 310/154.14

D304,169 S * 10/1989 Hoshino et al. D13/112
4,988,839 A * 1/1991 Kennicott 200/61.45 M
D347,619 S * 6/1994 VanHorn et al. D13/113
D424,516 S * 5/2000 Friedrichsen D13/112
6,509,662 B2 * 1/2003 Suzuki et al. 310/154.22
6,700,269 B2 * 3/2004 Torii et al. 310/154.08

* cited by examiner

Primary Examiner—Prabhakar Deshmukh

Assistant Examiner—Derrick Holland

(74) *Attorney, Agent, or Firm*—Westman, Champlin &
Kelly, P.A.

(57) **CLAIM**

The ornamental design for a DC-permanent-magnet motor,
as shown and described.

DESCRIPTION

FIG. 1 is a front view of a DC-permanent-magnet motor
showing my new design;

FIG. 2 is a back view thereof;

FIG. 3 is a top plan view thereof;

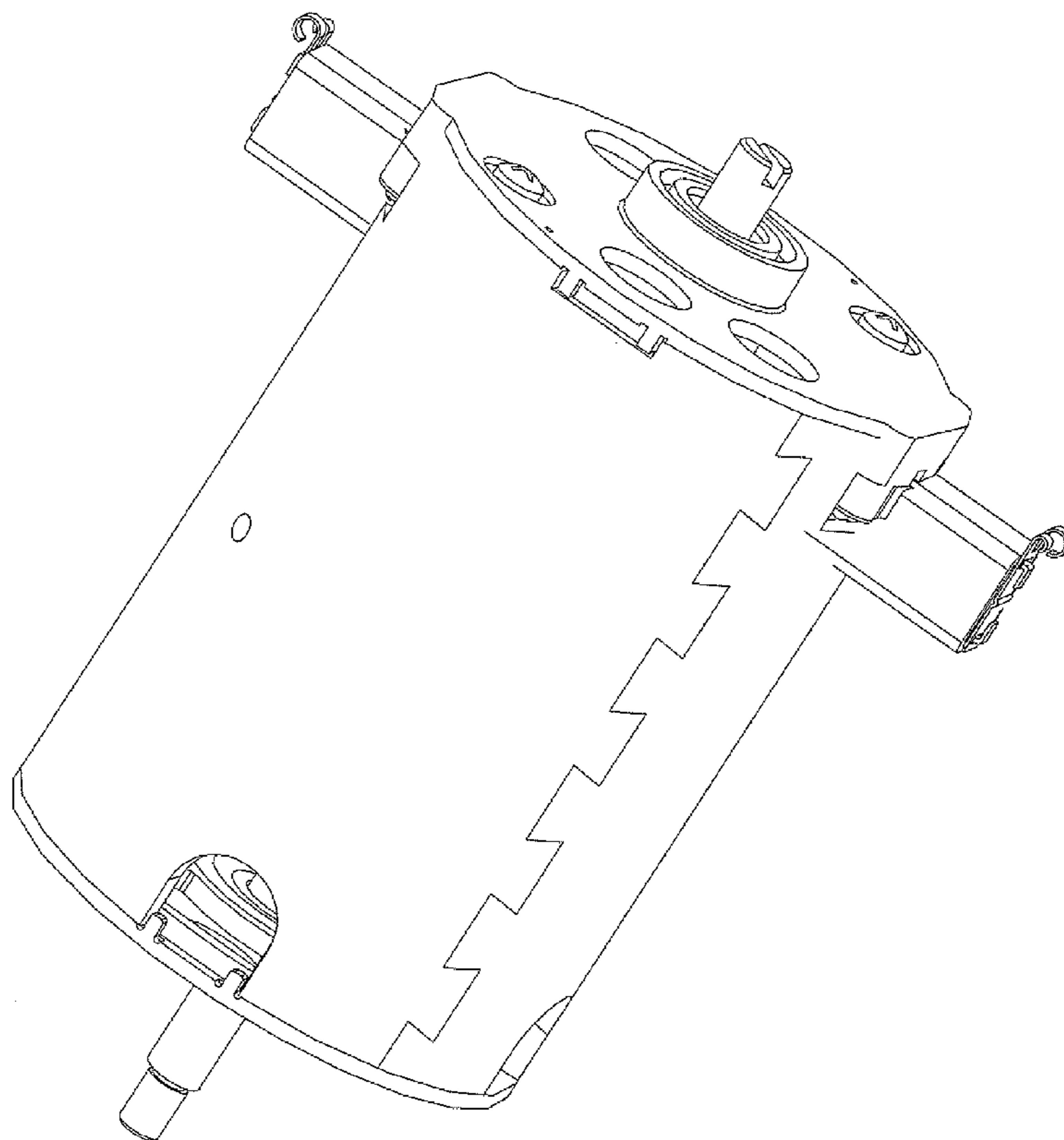
FIG. 4 is a bottom plan view thereof;

FIG. 5 is a right view thereof;

FIG. 6 is a left view thereof; and,

FIG. 7 is a perspective view thereof.

1 Claim, 7 Drawing Sheets



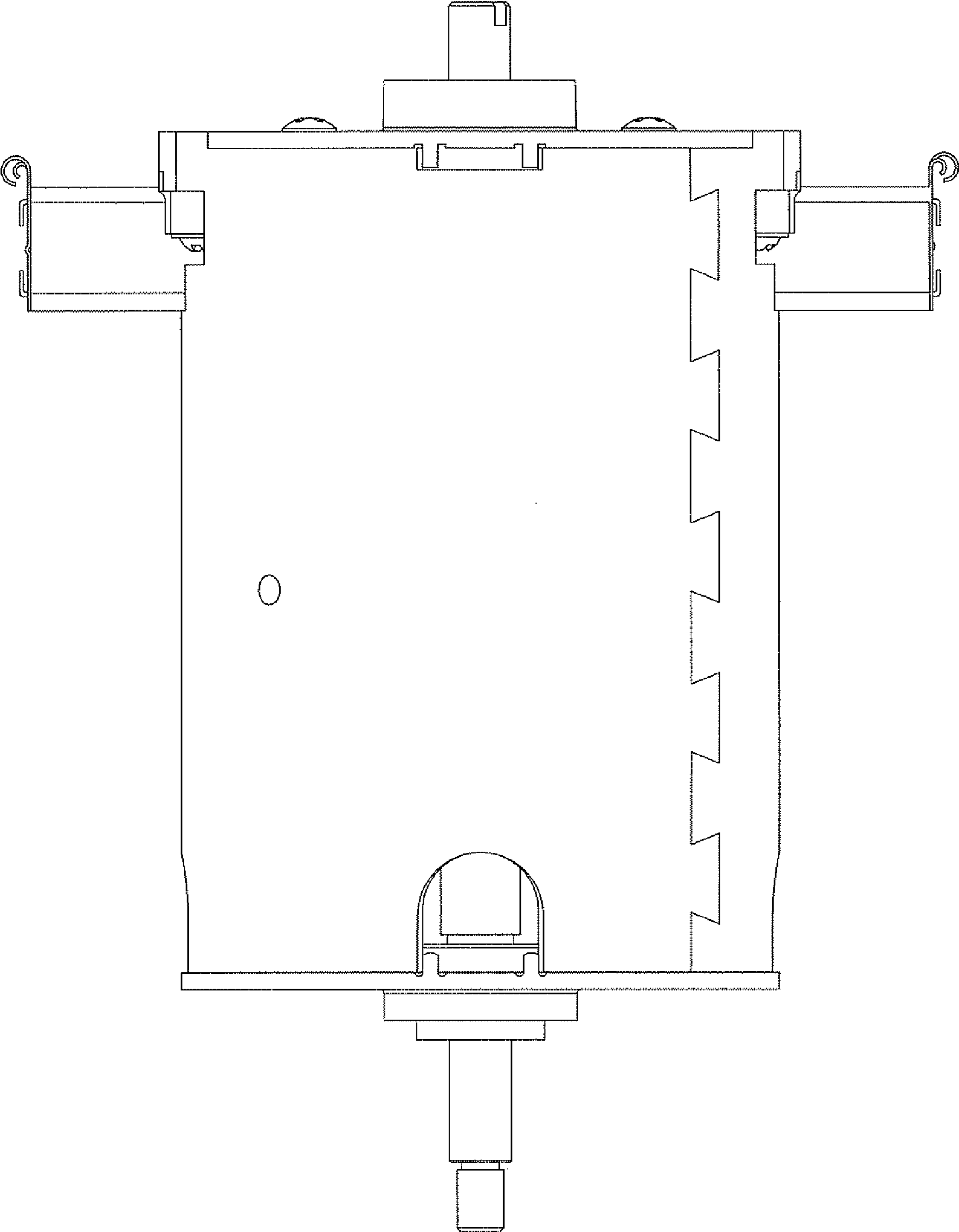


FIG. 1

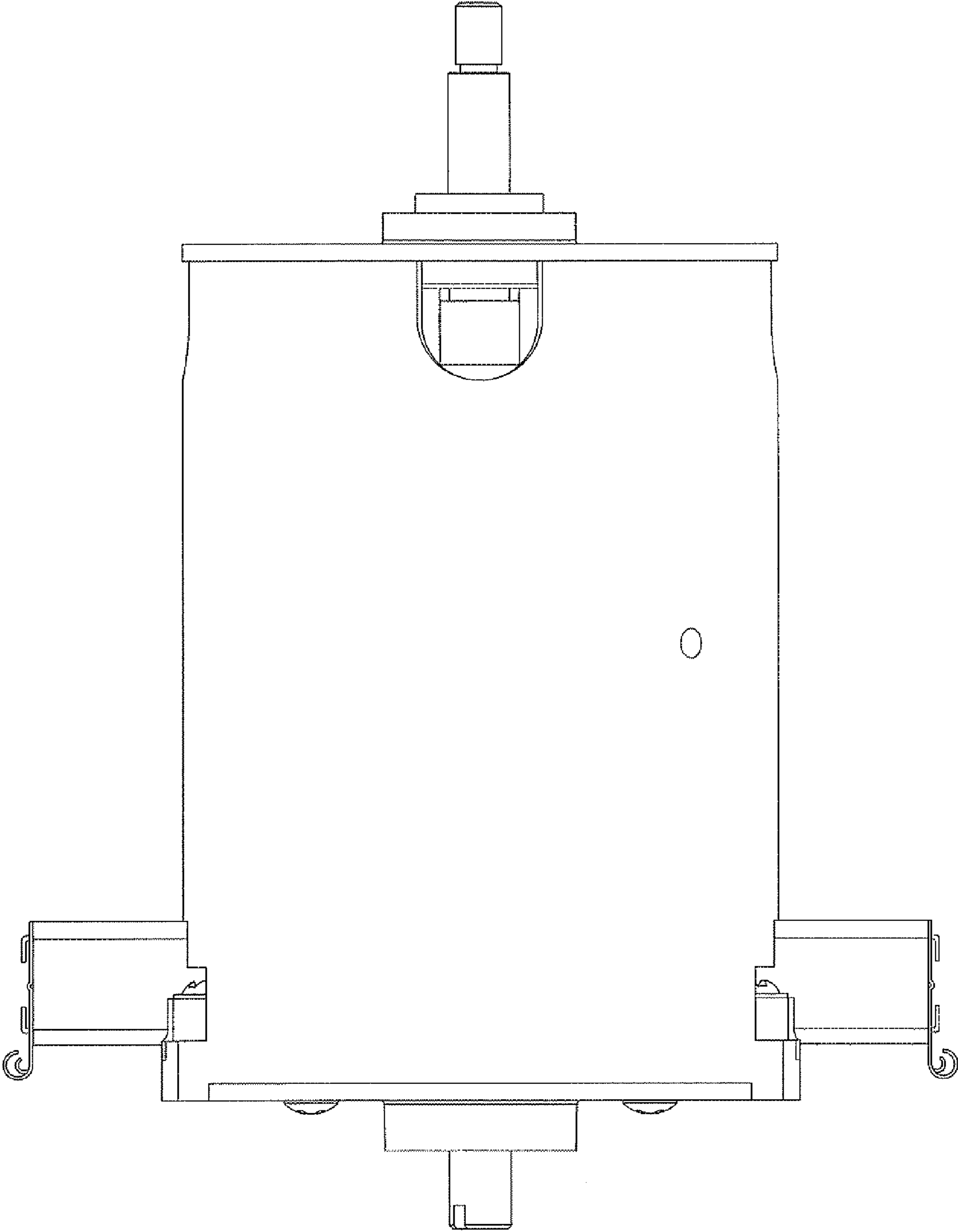


FIG. 2

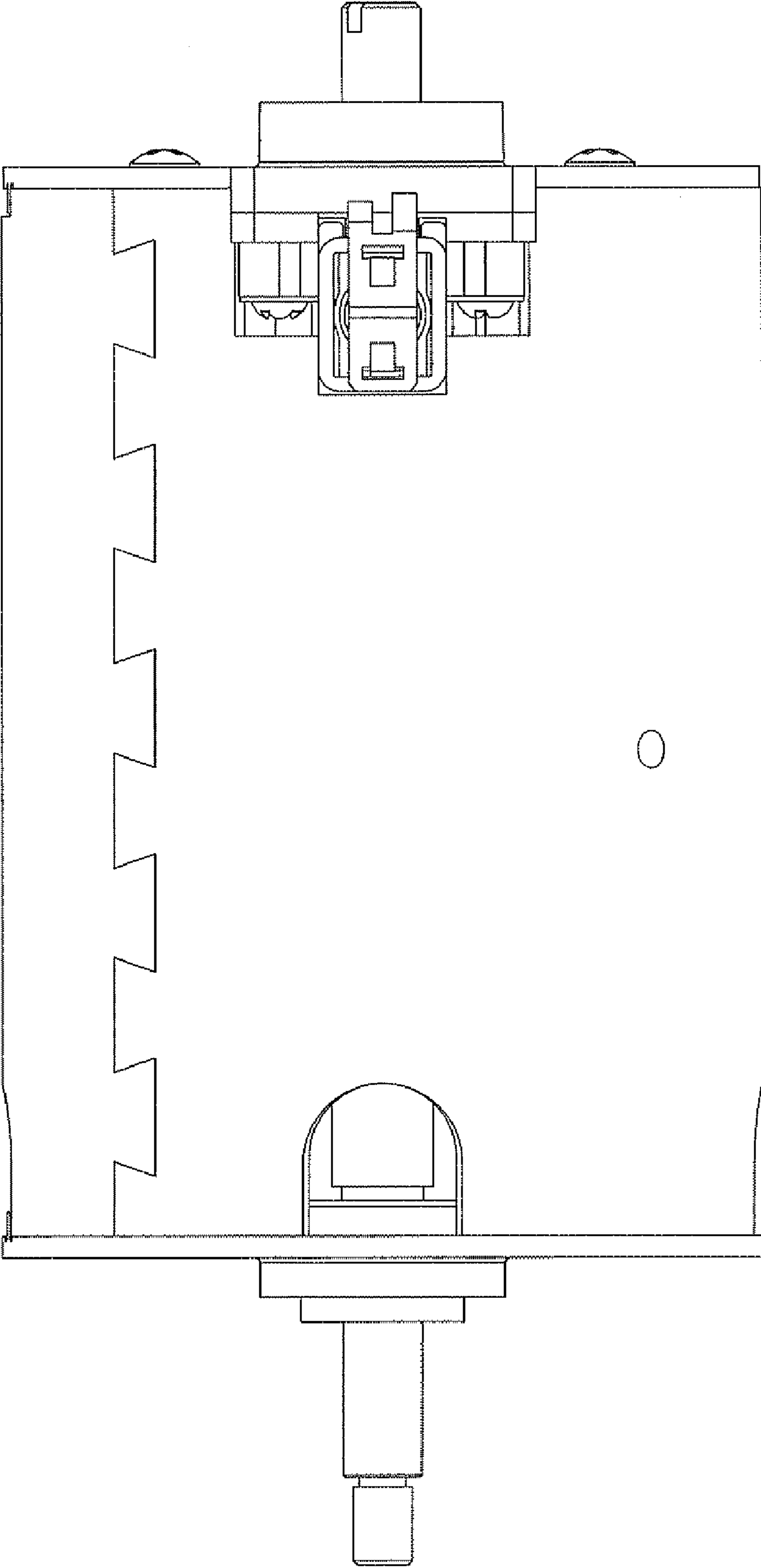


FIG. 3

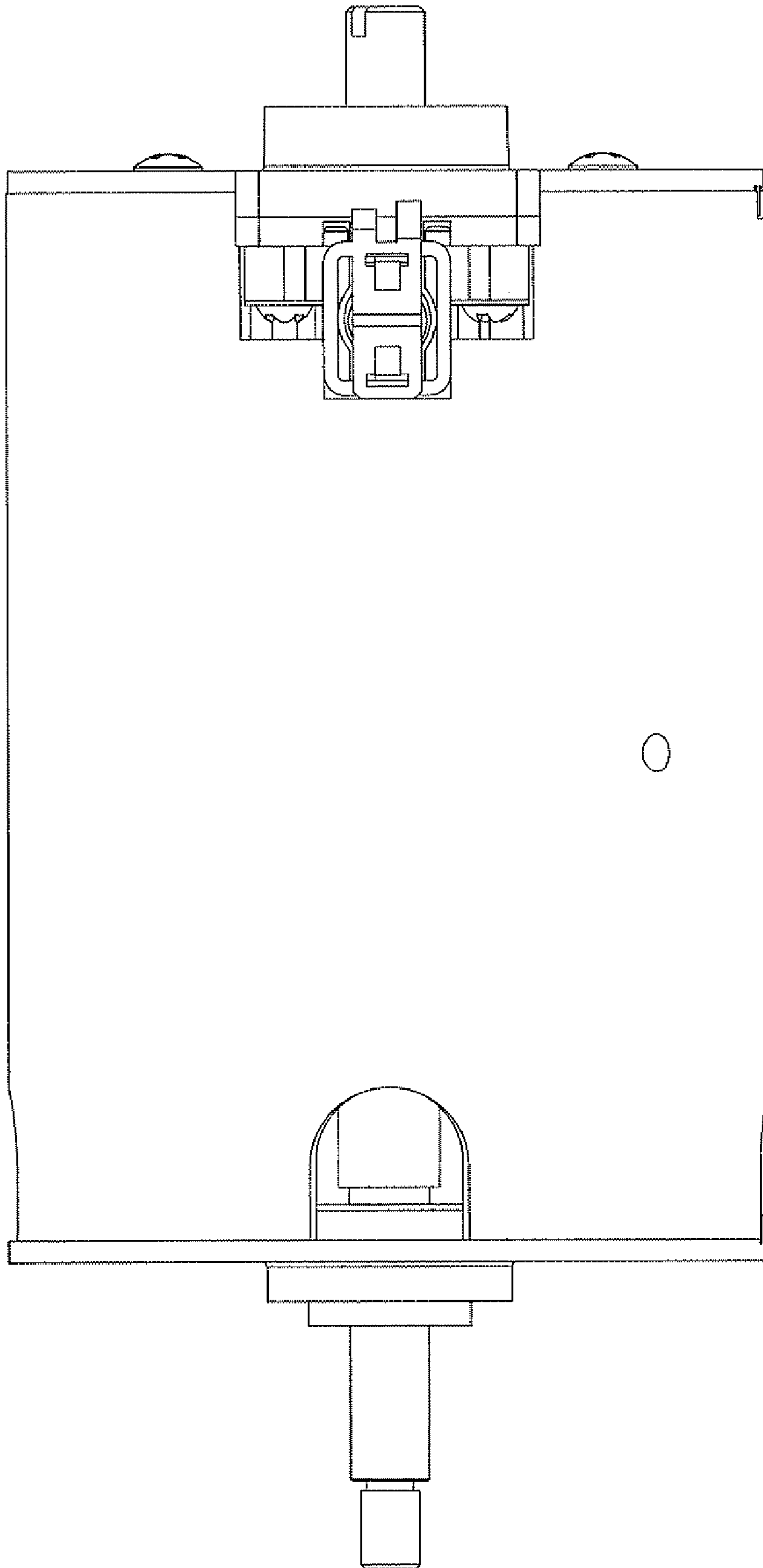


FIG. 4

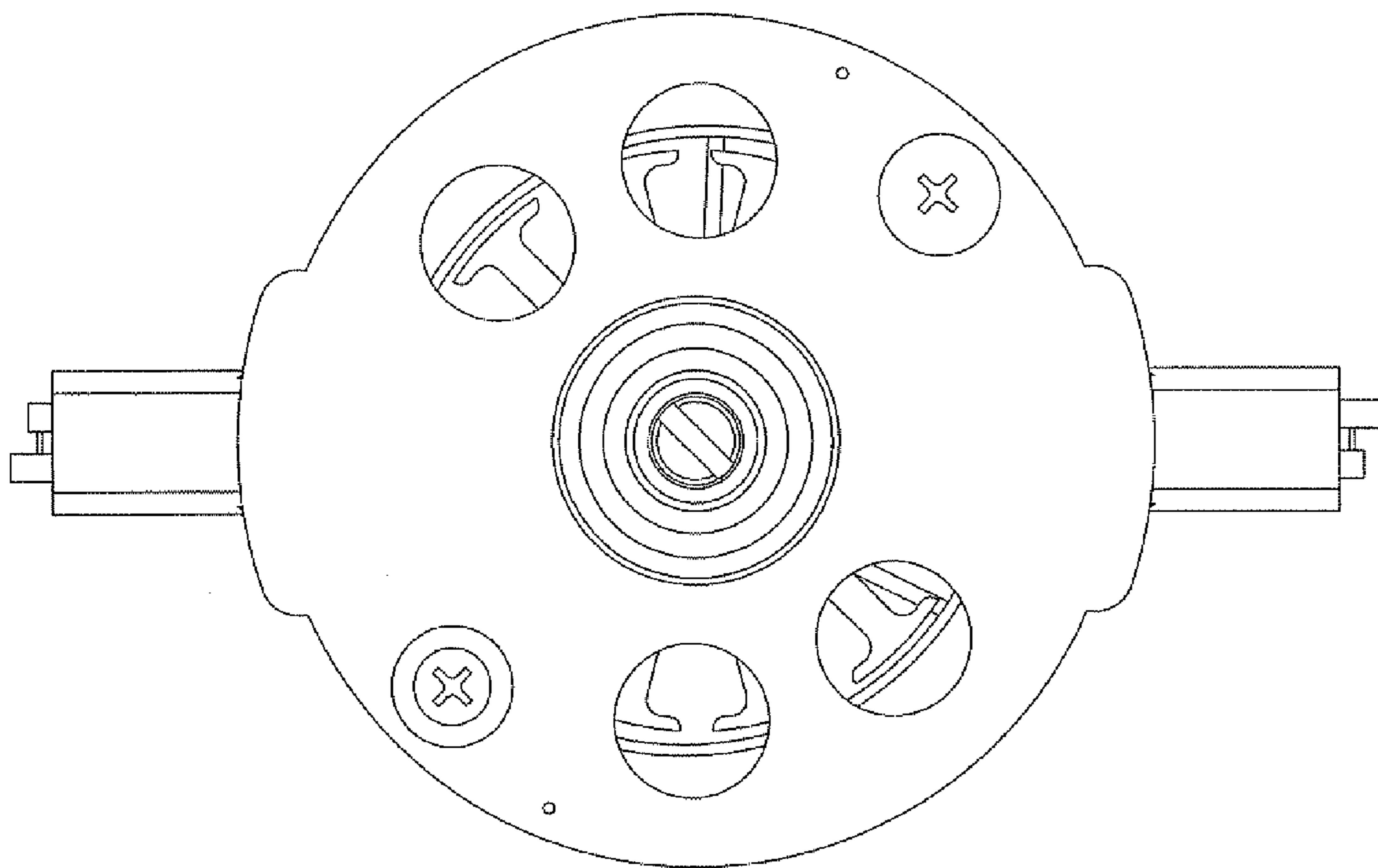


FIG. 5

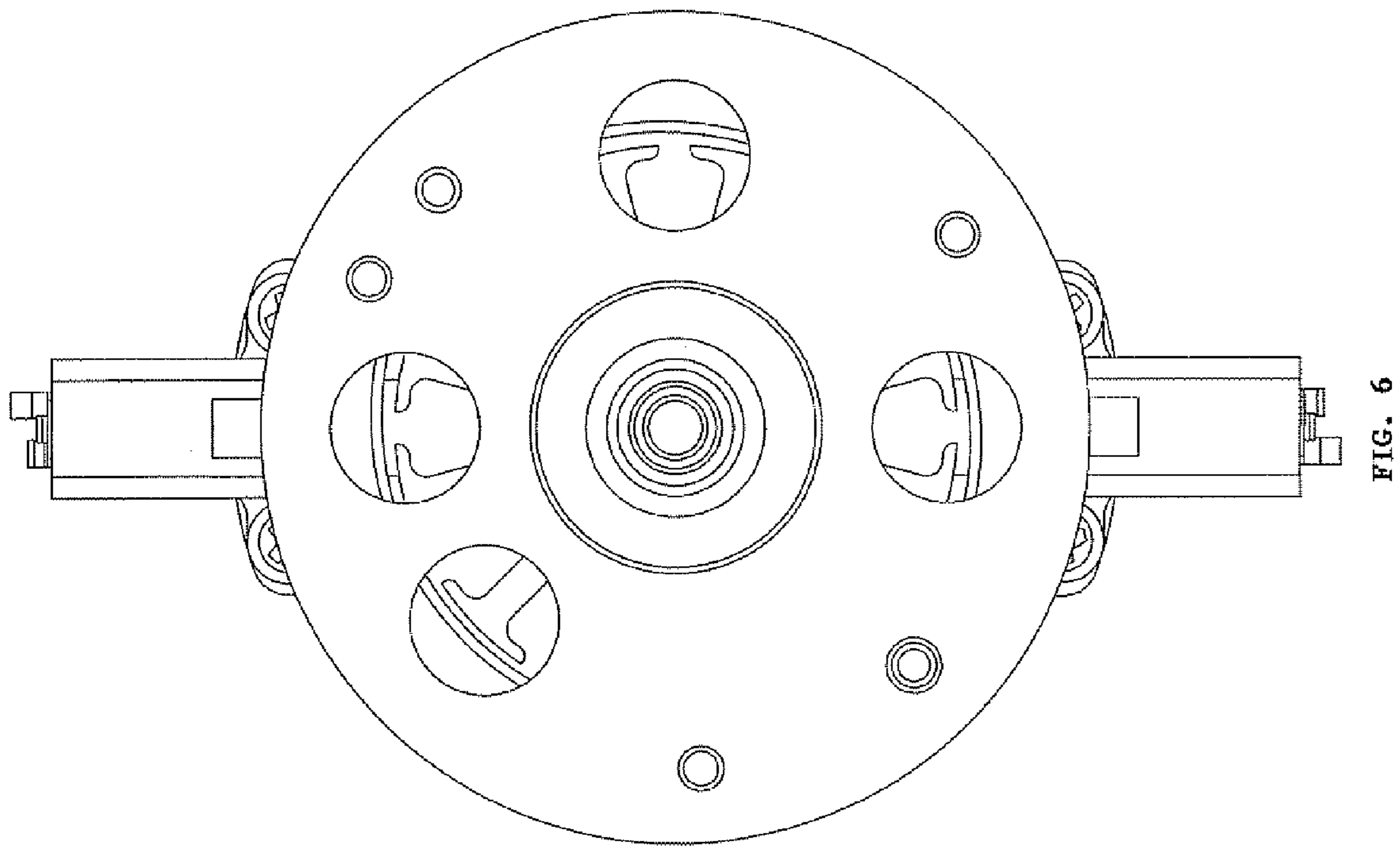


FIG. 6

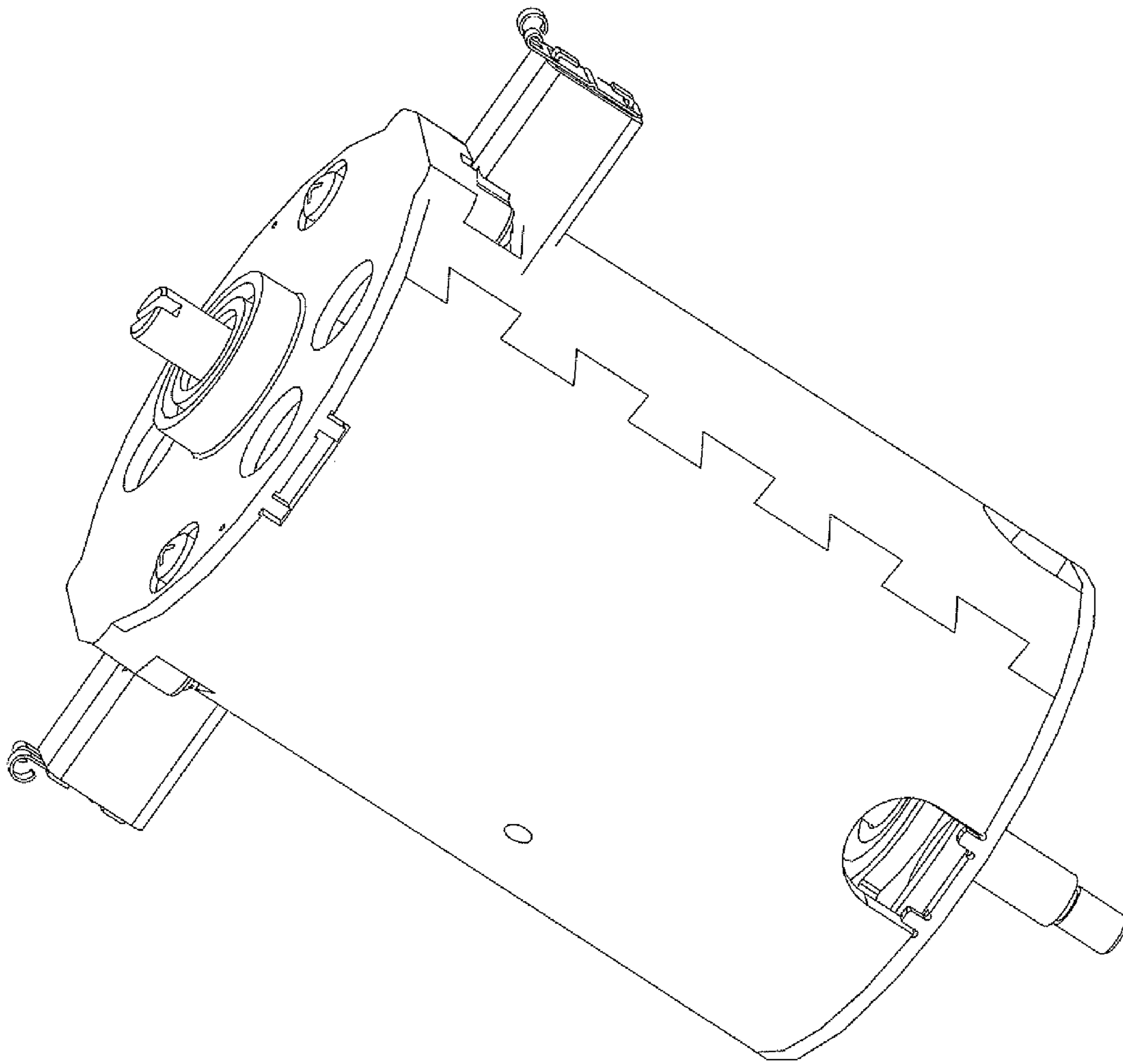


FIG. 7