



US00D561093S

(12) **United States Design Patent** (10) **Patent No.:** **US D561,093 S**
Sween et al. (45) **Date of Patent:** **** Feb. 5, 2008**

(54) **ELECTRICAL COMPONENT WITH DIRECT CURRENT OUTPUT**

(75) Inventors: **Barry Sween**, Santa Monica, CA (US);
Jie Wan, Alhambra, CA (US); **Vijendra Nalwad**, Newbury Park, CA (US)

(73) Assignee: **Belkin International, Inc.**, Compton, CA (US)

(**) Term: **14 Years**

(21) Appl. No.: **29/270,867**

(22) Filed: **Jan. 5, 2007**

(51) **LOC (8) Cl.** **13-02**

(52) **U.S. Cl.** **D13/110**

(58) **Field of Classification Search** D13/110,
D13/101, 107, 108, 133, 137.4, 184, 199;
174/50-59; 307/150, 151; 439/501, 502
See application file for complete search history.

(56) **References Cited**

U.S. PATENT DOCUMENTS

- 2,143,529 A 1/1939 White
- 2,721,624 A 10/1955 Osborn
- 3,000,384 A 9/1961 Piers
- 3,009,235 A 11/1961 Mestral
- 3,152,219 A 10/1964 Murray et al.
- 3,197,830 A 8/1965 Hoadlay
- 3,275,969 A 9/1966 Sheeran
- 3,279,008 A 10/1966 Wallach
- 3,307,872 A 3/1967 Murcott
- 3,426,363 A 2/1969 Girard
- 3,601,863 A 8/1971 Dorsey
- 3,835,505 A 9/1974 Shewbidge
- 3,947,927 A 4/1976 Rosenthal
- 3,973,610 A 8/1976 Ballin
- 3,990,454 A 11/1976 Schlesinger
- 4,067,526 A 1/1978 Storer
- 4,149,540 A 4/1979 Hasslinger
- 4,182,005 A 1/1980 Harrington
- 4,273,130 A 6/1981 Simpson
- 4,289,366 A 9/1981 Marks

- 4,569,348 A 2/1986 Hasslinger
- 4,609,171 A 9/1986 Matsui
- 4,647,139 A 3/1987 Yang
- 4,802,638 A 2/1989 Burger et al.
- 4,815,172 A 3/1989 Ward
- 4,893,381 A 1/1990 Frankel
- 4,939,818 A 7/1990 Hahn
- 4,940,427 A 7/1990 Pearson

(Continued)

OTHER PUBLICATIONS

Buyshipdirect.com; Universal Power Bank; BuyShipDirect.com: Product Detail; 3 pages.

(Continued)

Primary Examiner—Prabhakar Deshmukh
Assistant Examiner—Derrick Holland
(74) *Attorney, Agent, or Firm*—Bryan Cave LLP

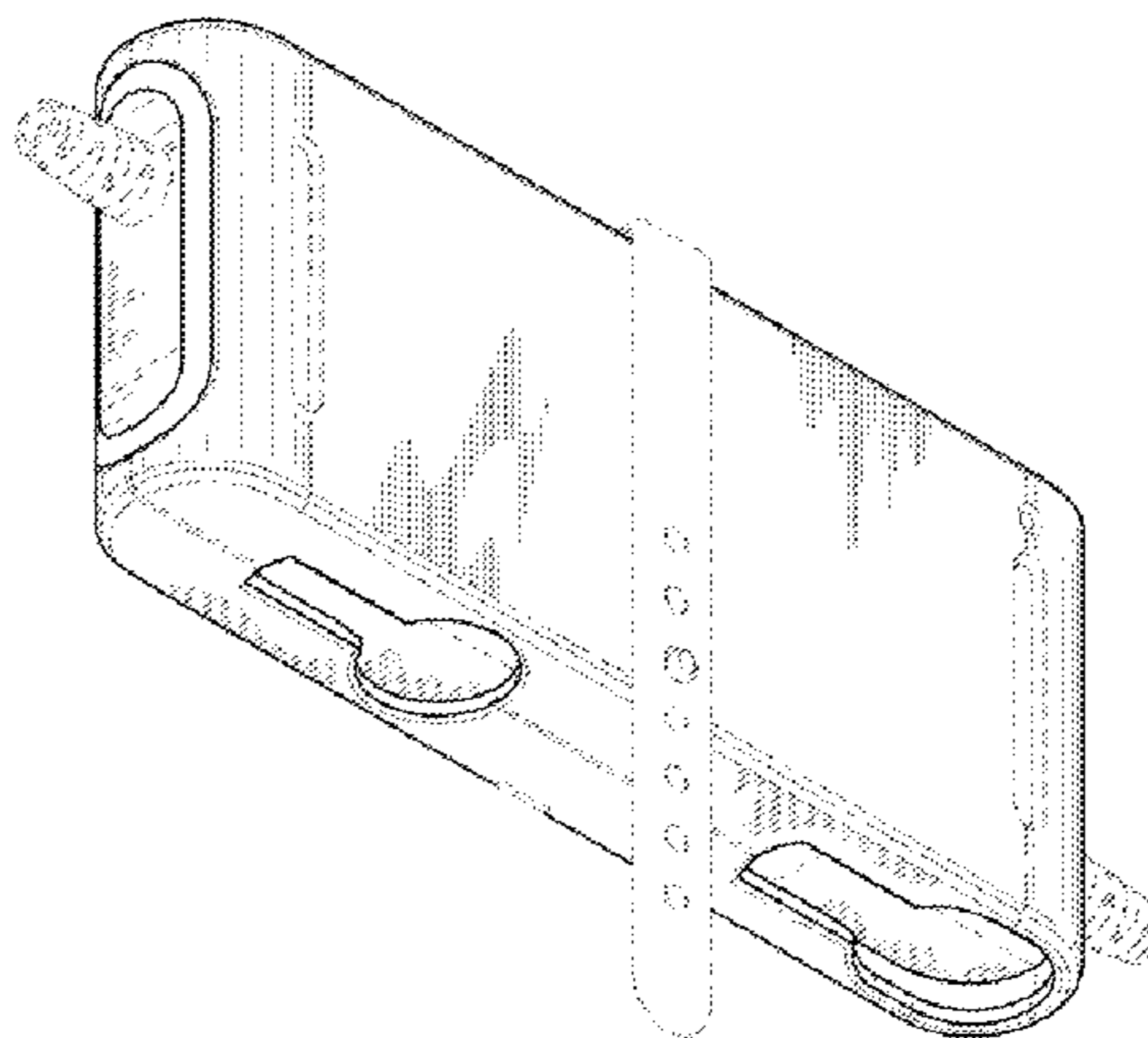
(57) **CLAIM**

We claim the ornamental design for an electrical component with direct current output, as shown and described.

DESCRIPTION

FIG. 1 is a front side view of the electrical component with direct current output;
FIG. 2 is a left side view thereof;
FIG. 3 is a right side view thereof;
FIG. 4 is a top side view thereof;
FIG. 5 is a bottom side view thereof;
FIG. 6 is a rear side view thereof; and,
FIG. 7 is a front, left, bottom isometric view thereof.
The broken lines in the drawings are for illustrative purposes only and form no part of the claimed design.
The broken line(s) which define the bounds of the claimed design form no part thereof.

1 Claim, 2 Drawing Sheets



US D561,093 S

Page 2

U.S. PATENT DOCUMENTS

5,019,767 A *	5/1991	Shirai et al.	320/112	D400,175 S	10/1998	Okamoto	
5,024,402 A	6/1991	Hamel		5,906,506 A	5/1999	Chang et al.	
5,040,263 A	8/1991	Guhne et al.		5,923,147 A	7/1999	Martensson	
5,048,158 A	9/1991	Koerner		5,984,224 A	11/1999	Yang	
5,071,367 A	12/1991	Luu		D428,327 S	7/2000	Stekelenburg	
5,133,671 A	7/1992	Boghosian		6,109,958 A	8/2000	Ke	
5,168,603 A	12/1992	Reed		6,164,582 A	12/2000	Vara	
5,176,343 A	1/1993	Cheney, II et al.		D446,499 S *	8/2001	Andre et al.	D13/110
D338,653 S *	8/1993	Morgan et al.	D13/110	6,331,936 B1	12/2001	Hom et al.	
5,236,371 A	8/1993	Matthis		D454,110 S *	3/2002	Andre et al.	D13/110
5,326,283 A	7/1994	Chen		6,427,290 B1	8/2002	Liu	
D355,887 S *	2/1995	Rodeffer et al.	D13/110	6,428,348 B1	8/2002	Bean	
5,388,155 A	2/1995	Smith		6,433,274 B1	8/2002	Doss et al.	
5,394,592 A	3/1995	Quick		6,567,277 B1	5/2003	Doherty et al.	
D361,978 S *	9/1995	Shirai et al.	D13/103	D484,853 S *	1/2004	Alviar	D13/110
5,502,877 A	4/1996	Yocum					
5,507,667 A	4/1996	Hahn et al.					
5,697,809 A	12/1997	Chung					
5,720,628 A	2/1998	Usui et al.					
5,802,676 A	9/1998	Tolan					
5,806,943 A	9/1998	Dell et al.					
5,812,683 A	9/1998	Parker et al.					

OTHER PUBLICATIONS

Buyshipdirect.com; Portable Electronics Power Bank;
BuyShipDirect.com: Product Detail; 3 pages.
Buyshipdirect.com; Notebook Power Bank; BuyShipDirect.com:
Product Detail; 3 pages.

* cited by examiner

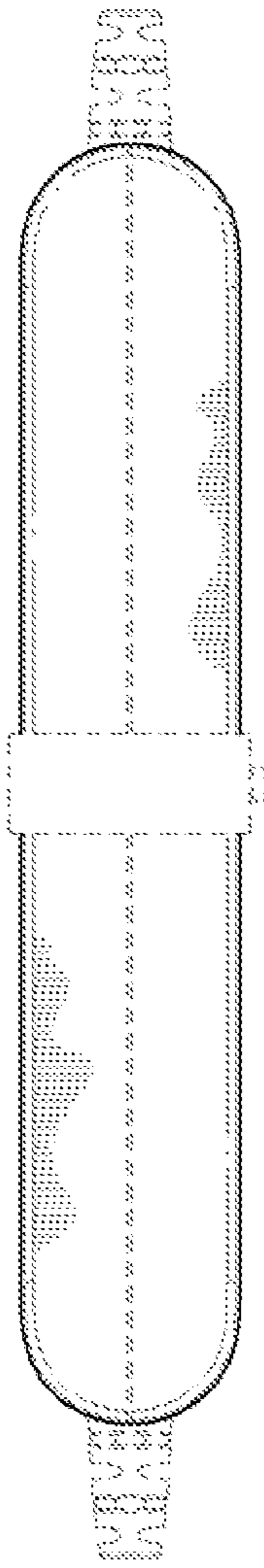


FIG. 4

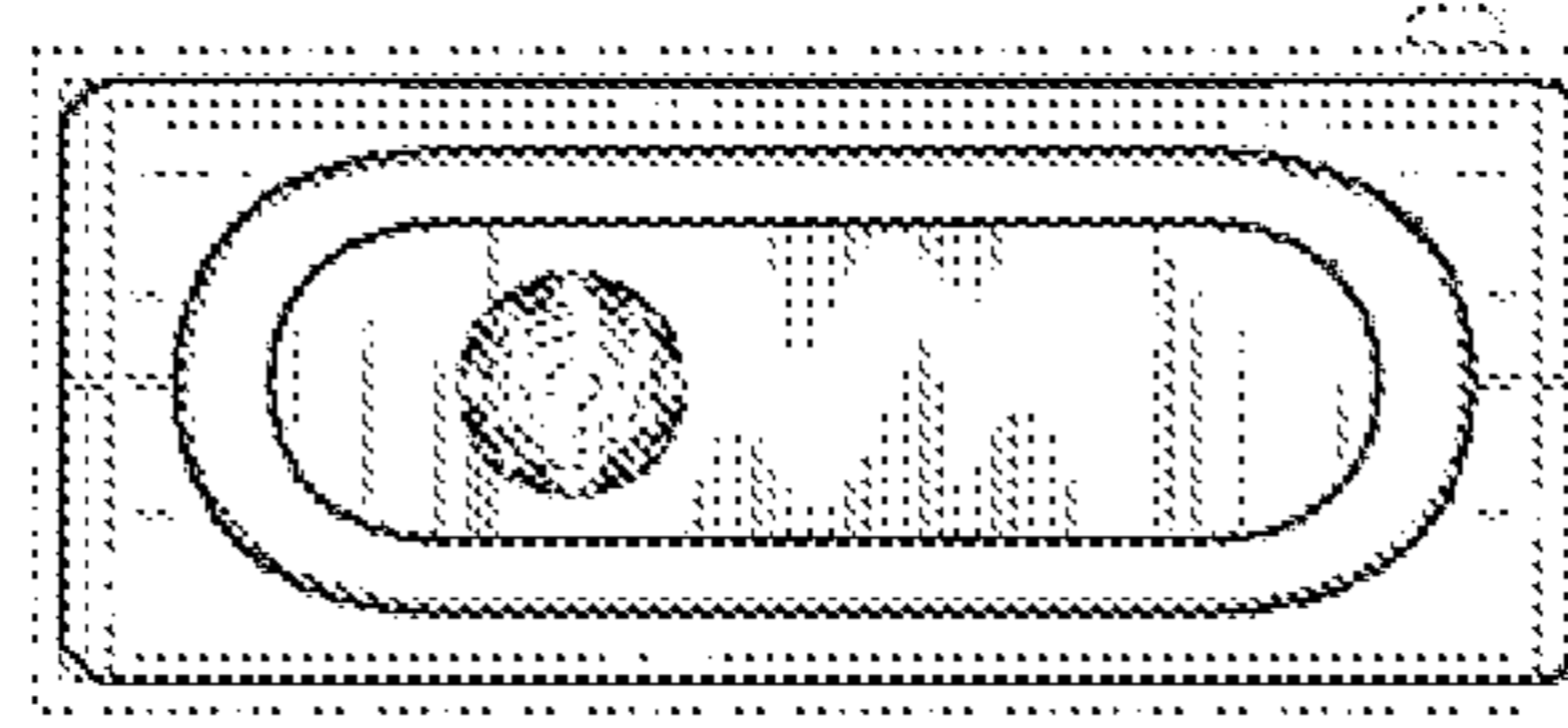


FIG. 2

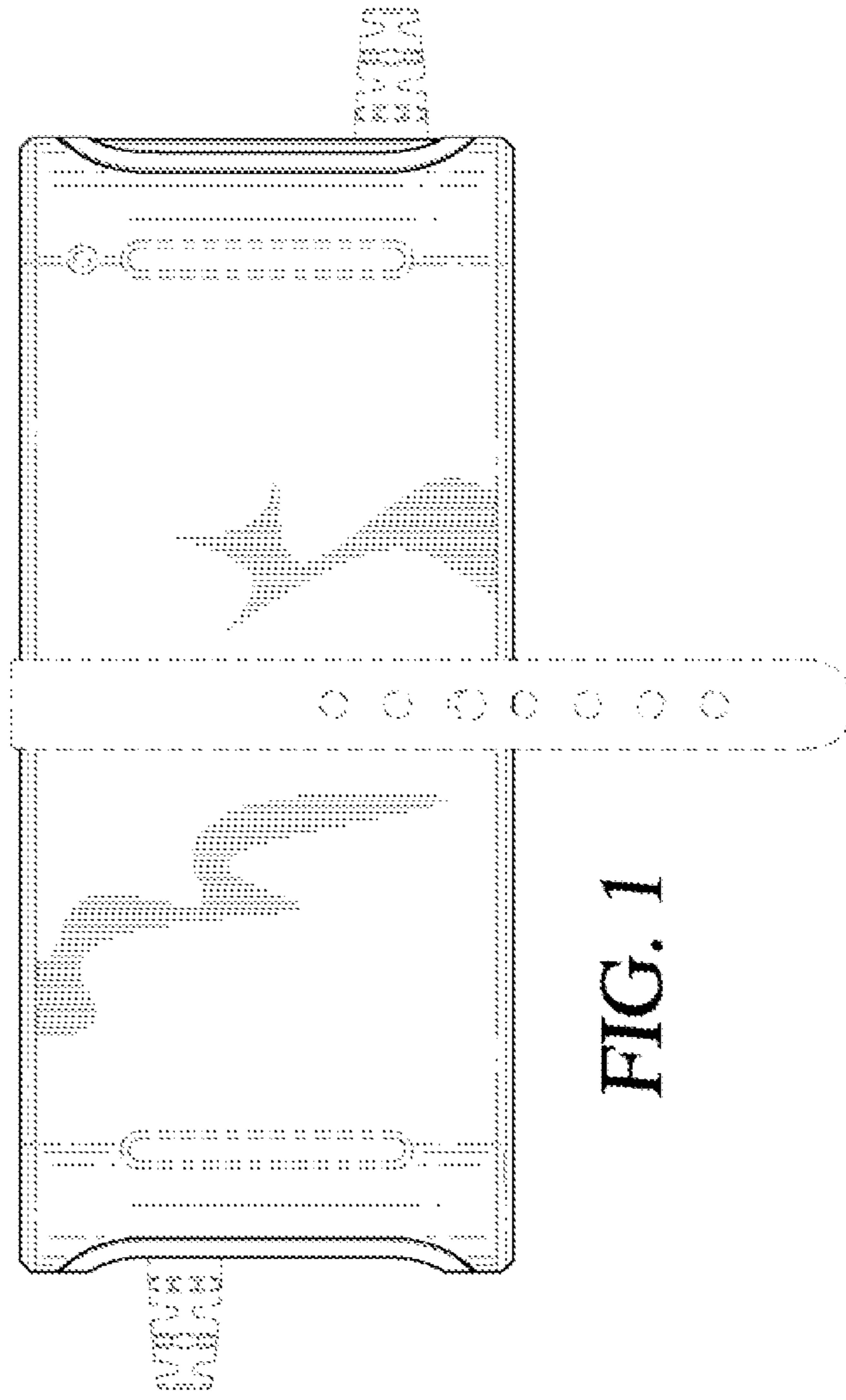


FIG. 1

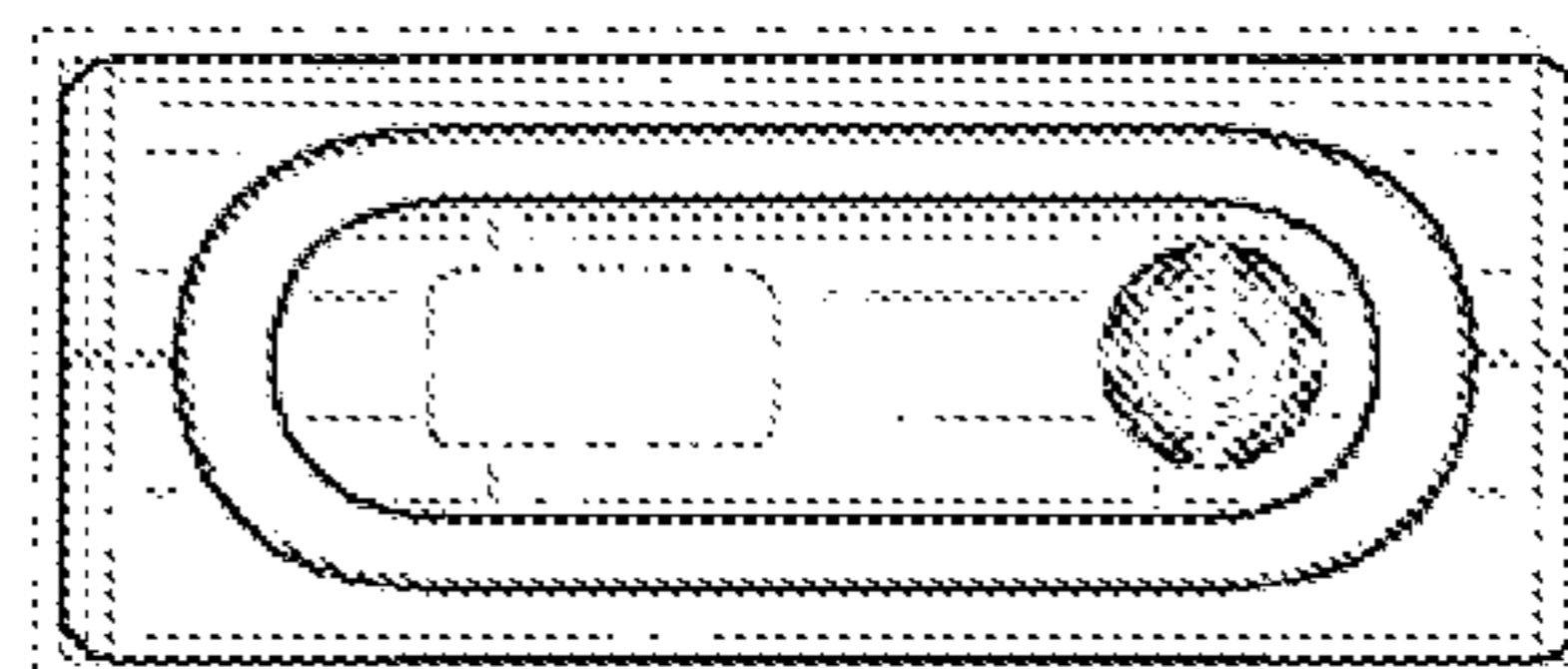


FIG. 3

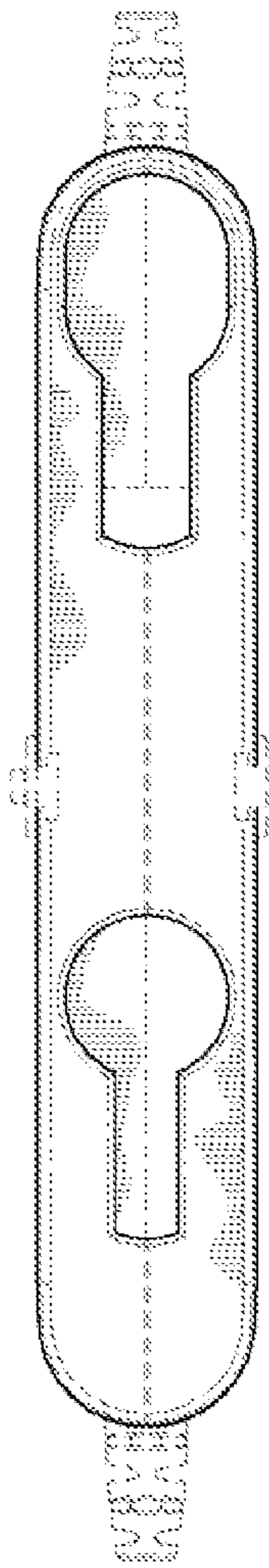


FIG. 5

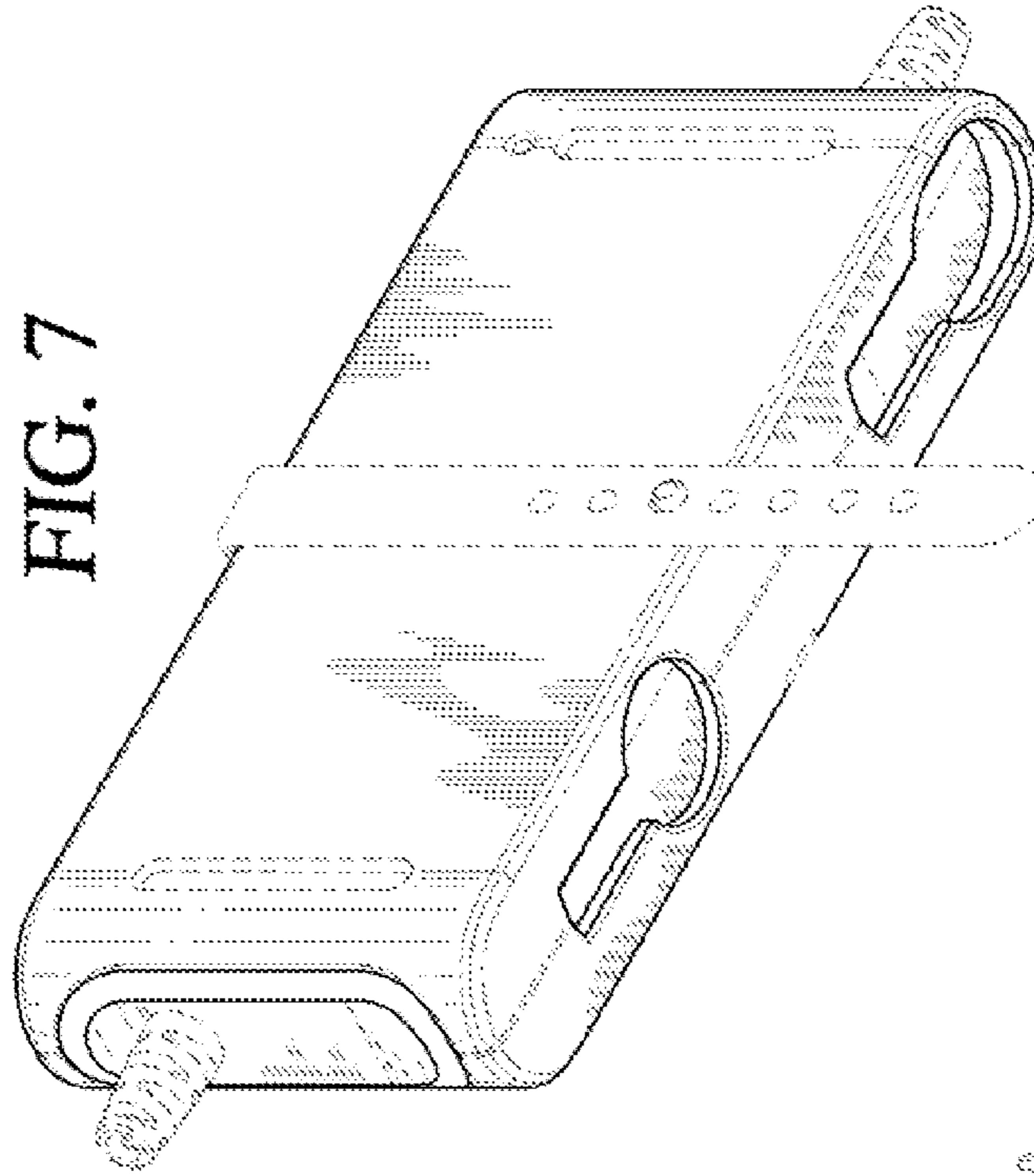


FIG. 7

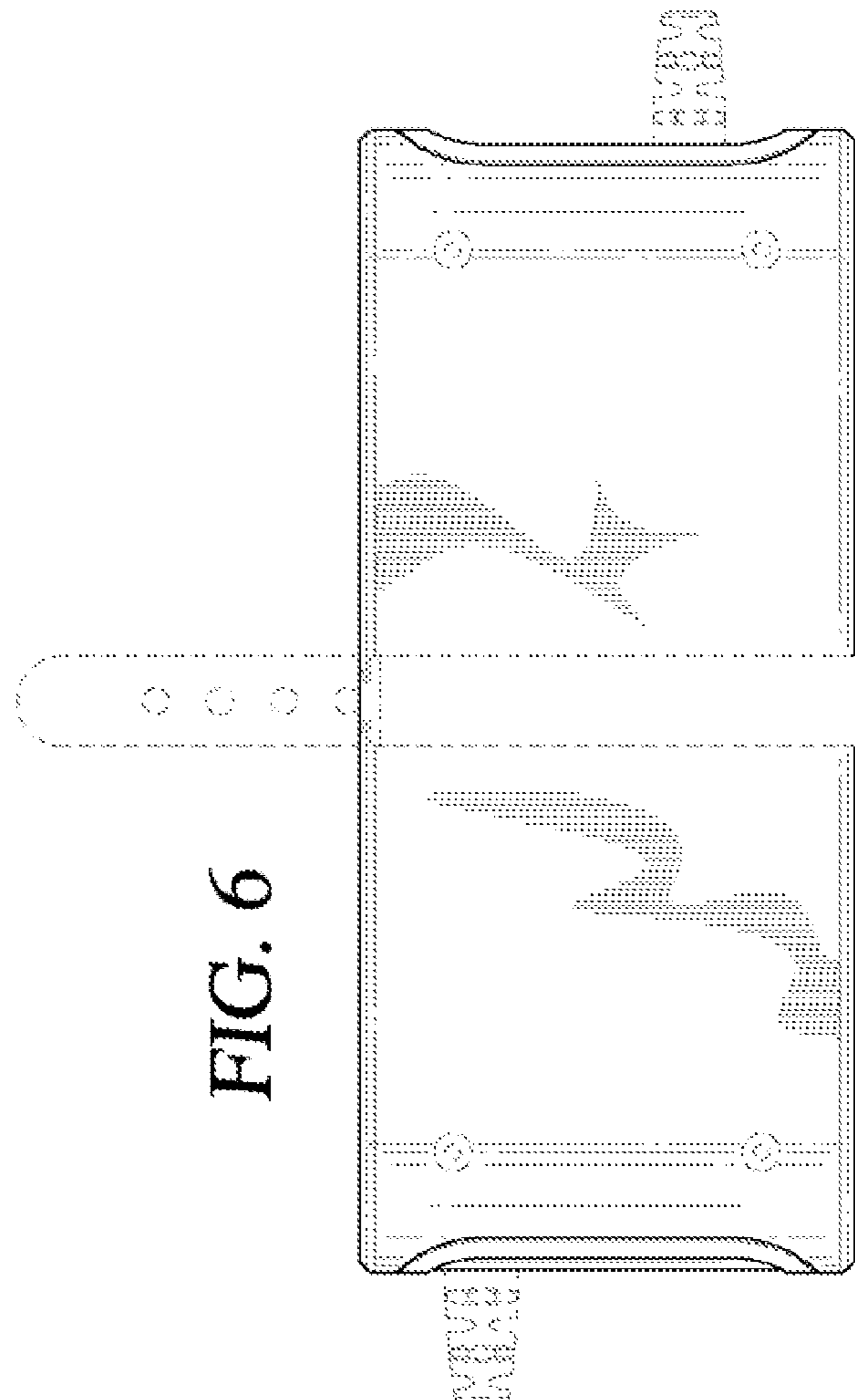


FIG. 6