



US00D561086S

(12) **United States Design Patent**
Lopez

(10) **Patent No.:** **US D561,086 S**
(45) **Date of Patent:** **** Feb. 5, 2008**

(54) **LUGGAGE CARRIER FOR VEHICLES**

(75) Inventor: **Joseph Lopez**, Anglet (FR)

(73) Assignee: **Lopez Promotion Immobiliere et
Developpement Industriel**, Anglet (FR)

(**) Term: **14 Years**

(21) Appl. No.: **29/278,359**

(22) Filed: **Mar. 27, 2007**

(30) **Foreign Application Priority Data**

Sep. 28, 2006 (EM) 000596309-0001

(51) **LOC (8) Cl.** **12-16**

(52) **U.S. Cl.** **D12/412**

(58) **Field of Classification Search** D12/406,
D12/412-414, 414.1; 211/162, 182, 175-176,
211/205-206; 280/756, 848, 727, 769; 296/37.1,
296/310, 37.6; 108/44; 224/402-405, 309-310,
224/321-329, 316, 561

See application file for complete search history.

(56) **References Cited**

U.S. PATENT DOCUMENTS

4,278,175 A * 7/1981 Jackson 224/561
D262,698 S * 1/1982 Hagist D12/412

D305,111 S * 12/1989 Zagner D12/412
D306,003 S * 2/1990 Berkan, Jr. D12/414
D318,447 S * 7/1991 Haugen et al. D12/412
D320,588 S * 10/1991 Foster et al. D12/412
D363,460 S * 10/1995 Marshall D12/406
D434,364 S * 11/2000 Bauer et al. D12/412
D444,446 S * 7/2001 Carter D12/406
D463,358 S * 9/2002 Thomas D12/406
D529,858 S * 10/2006 Kramer D12/406

* cited by examiner

Primary Examiner—Stacia Cadmus

(57) **CLAIM**

I claim the ornamental design for luggage carrier for vehicles, as shown and described.

DESCRIPTION

FIG. 1 is a front perspective view of luggage carrier for vehicles;

FIG. 2 is side perspective view thereof;

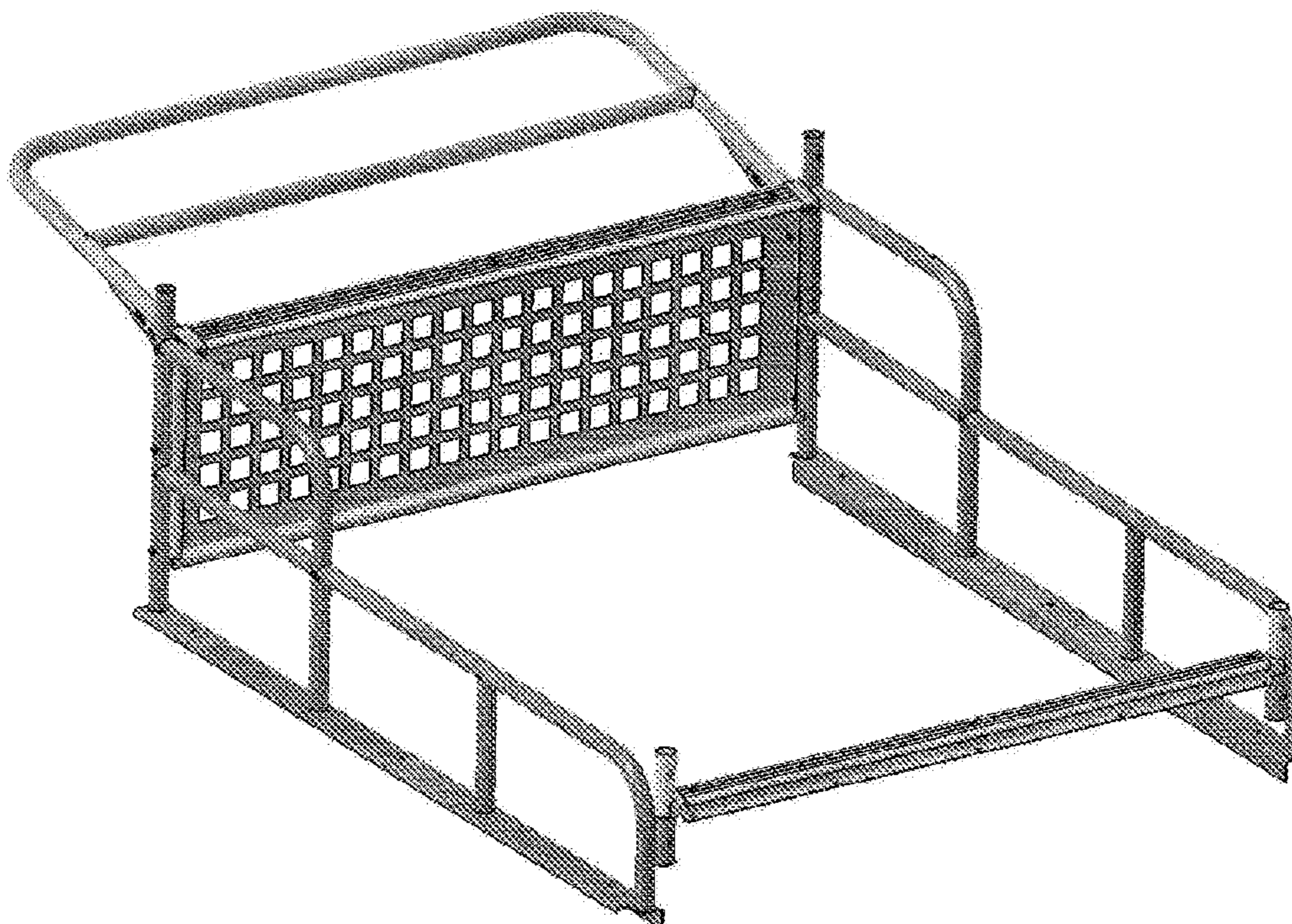
FIG. 3 is a front plan view thereof;

FIG. 4 is a back plan view thereof;

FIG. 5 is a top plan view thereof; and,

FIG. 6 is a side elevational view thereof.

1 Claim, 3 Drawing Sheets



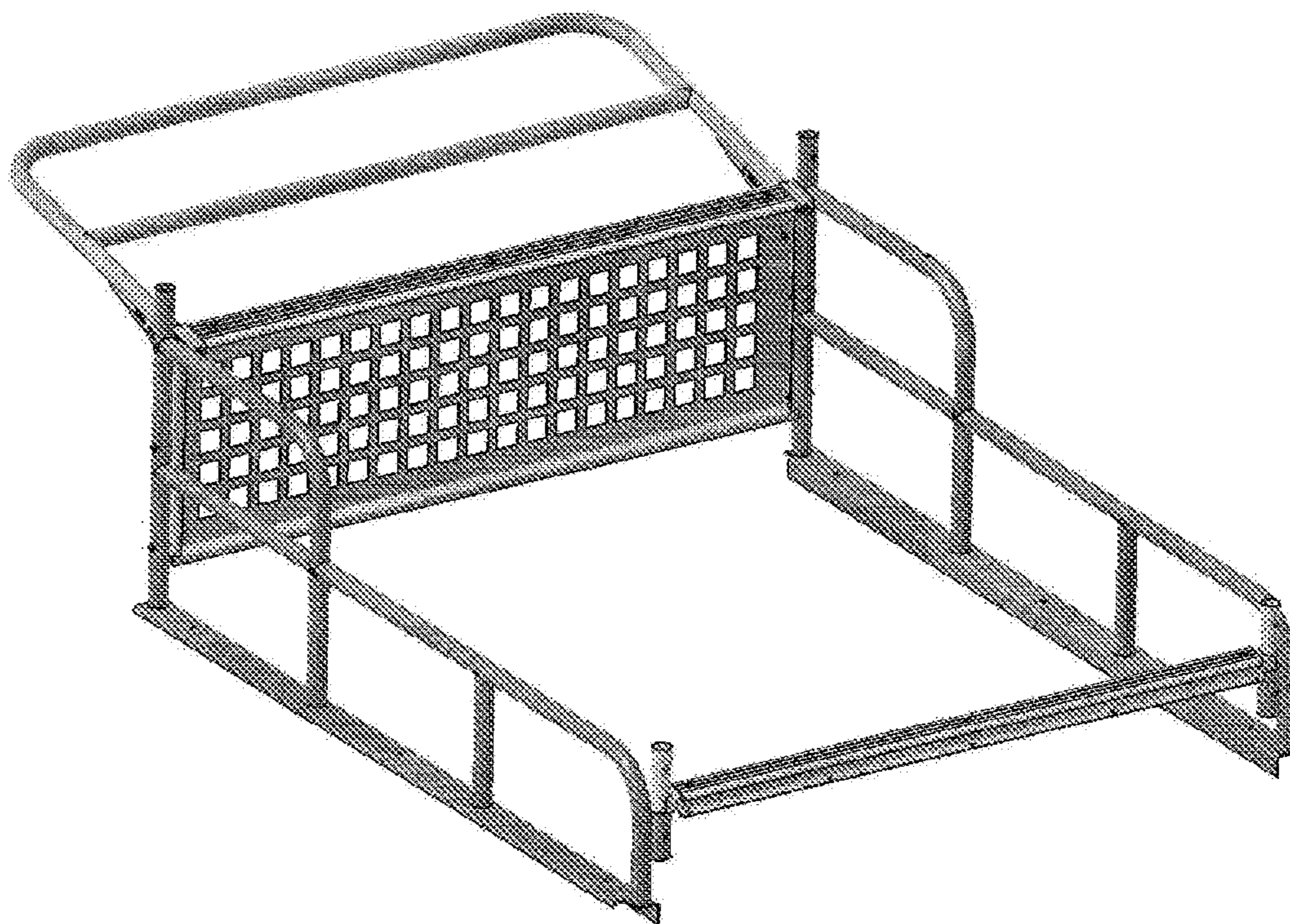


FIG. 1

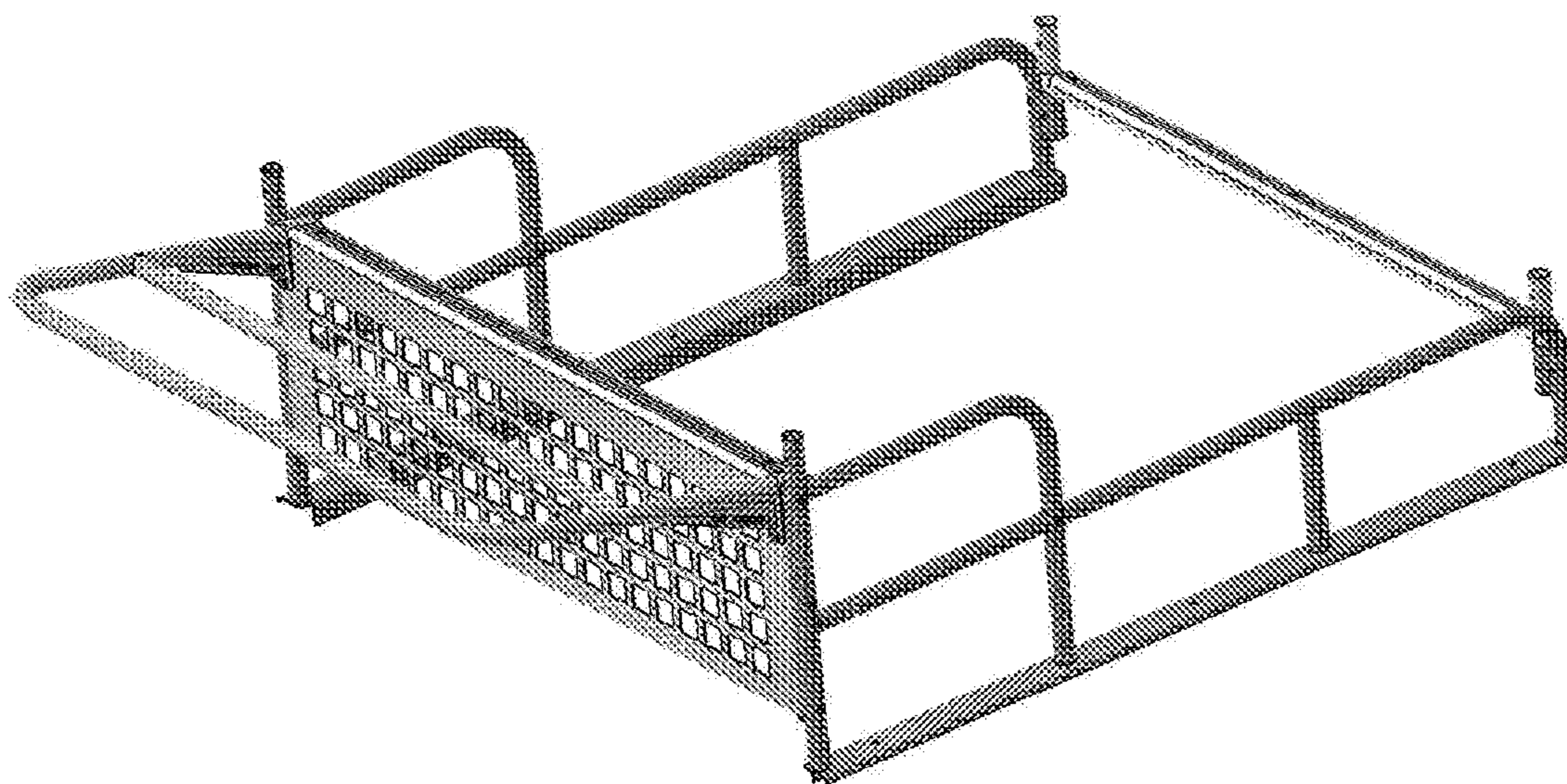


FIG. 2

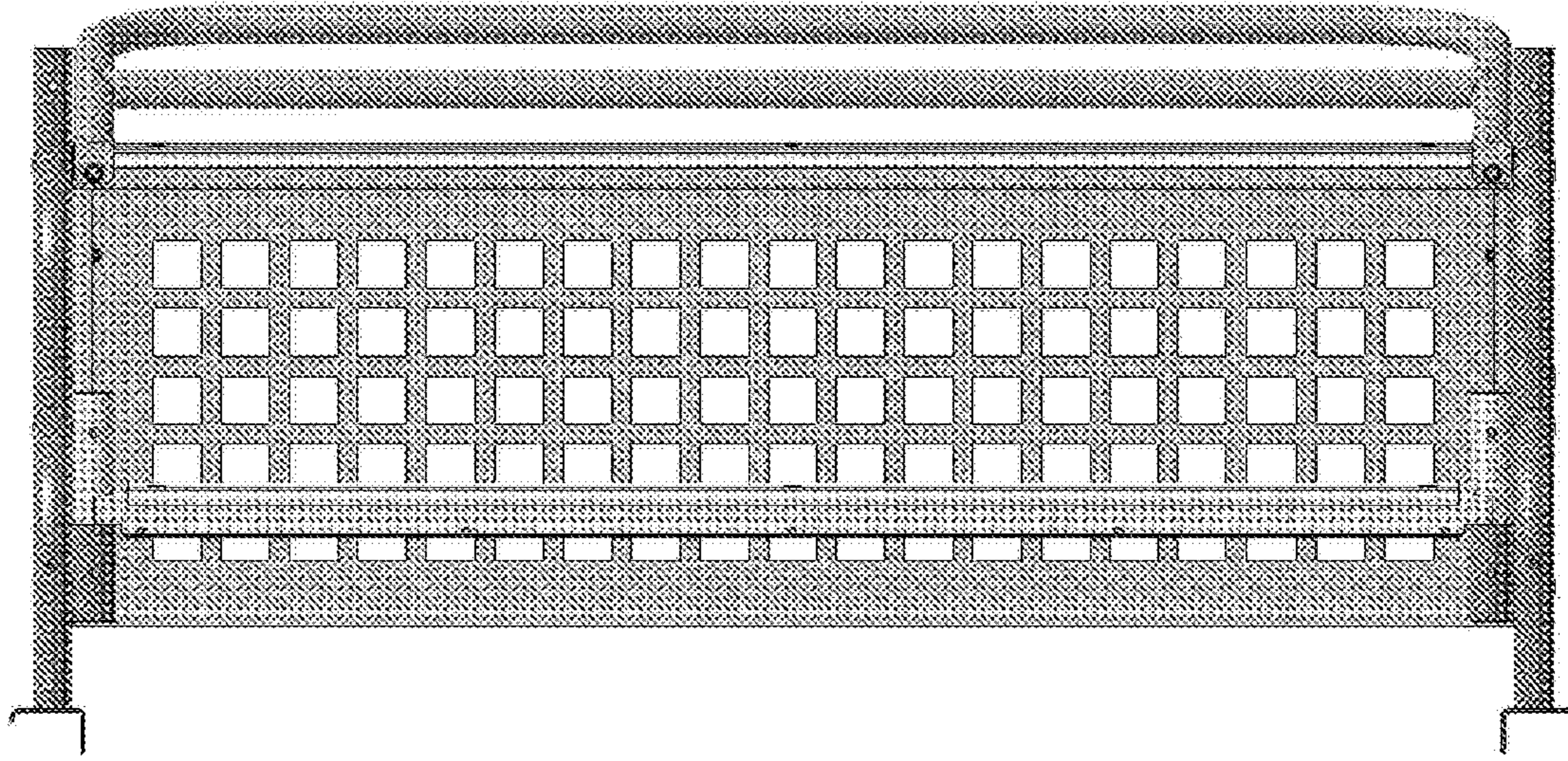


FIG. 3

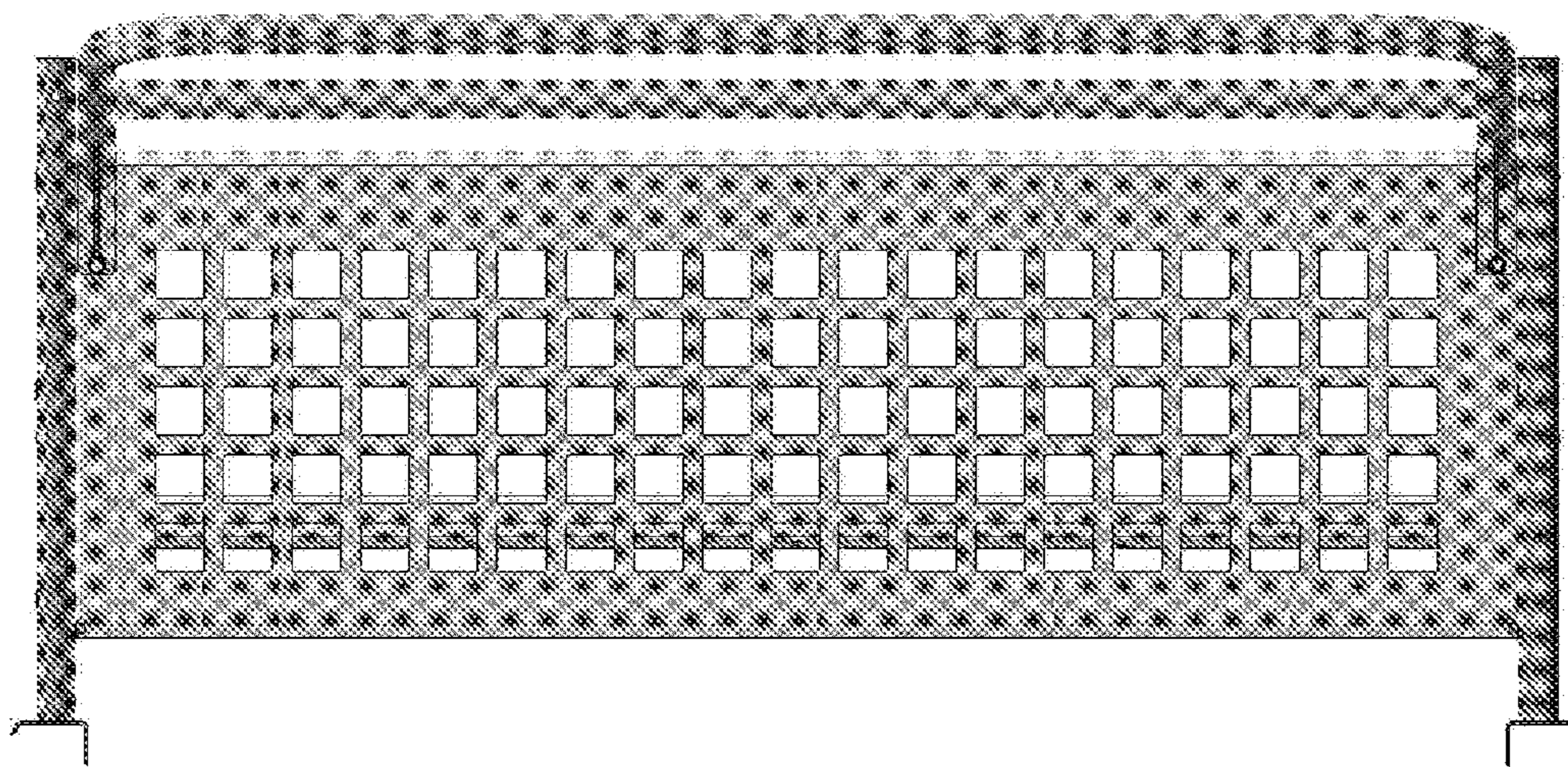


FIG. 4

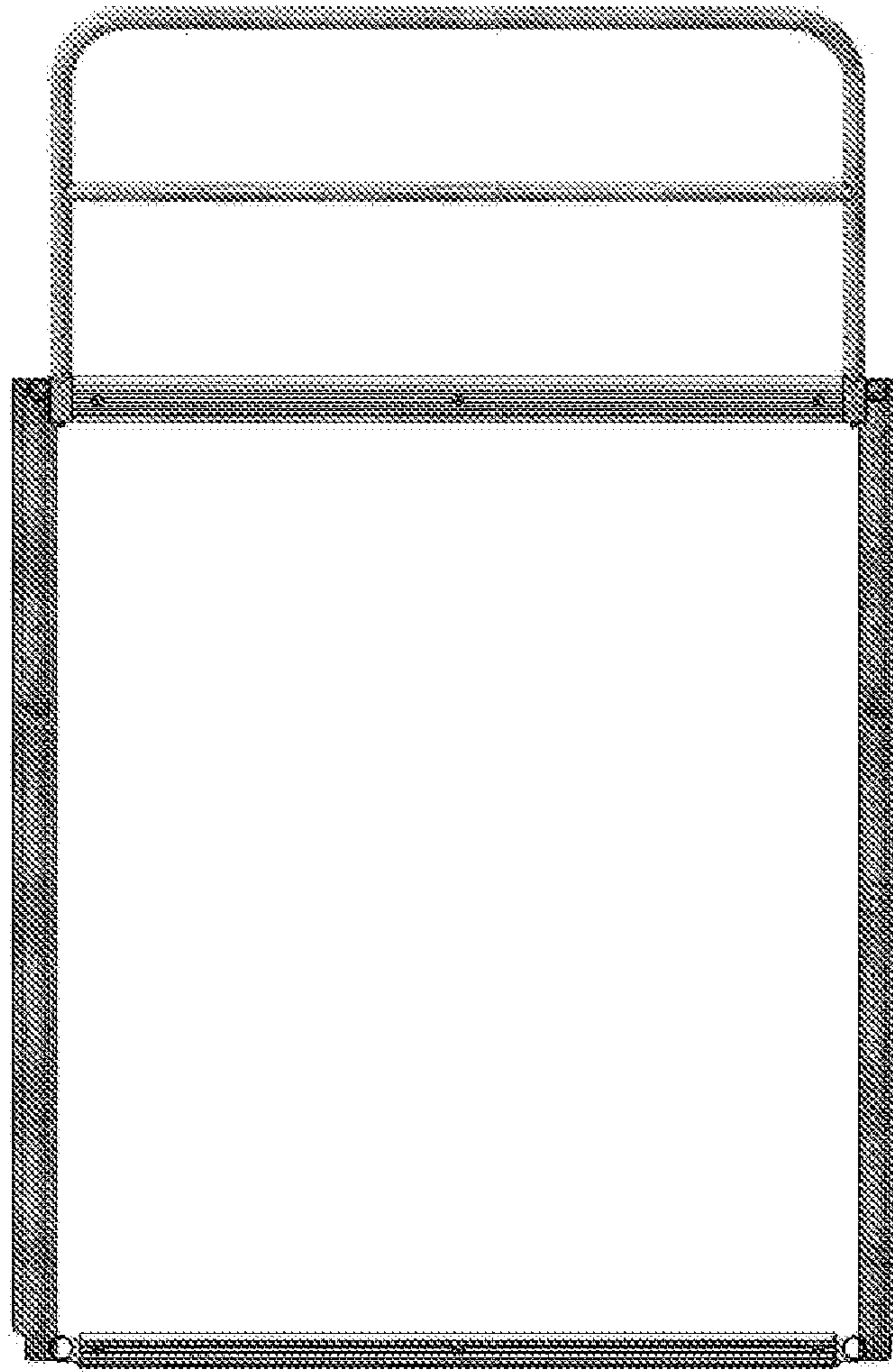


FIG. 5

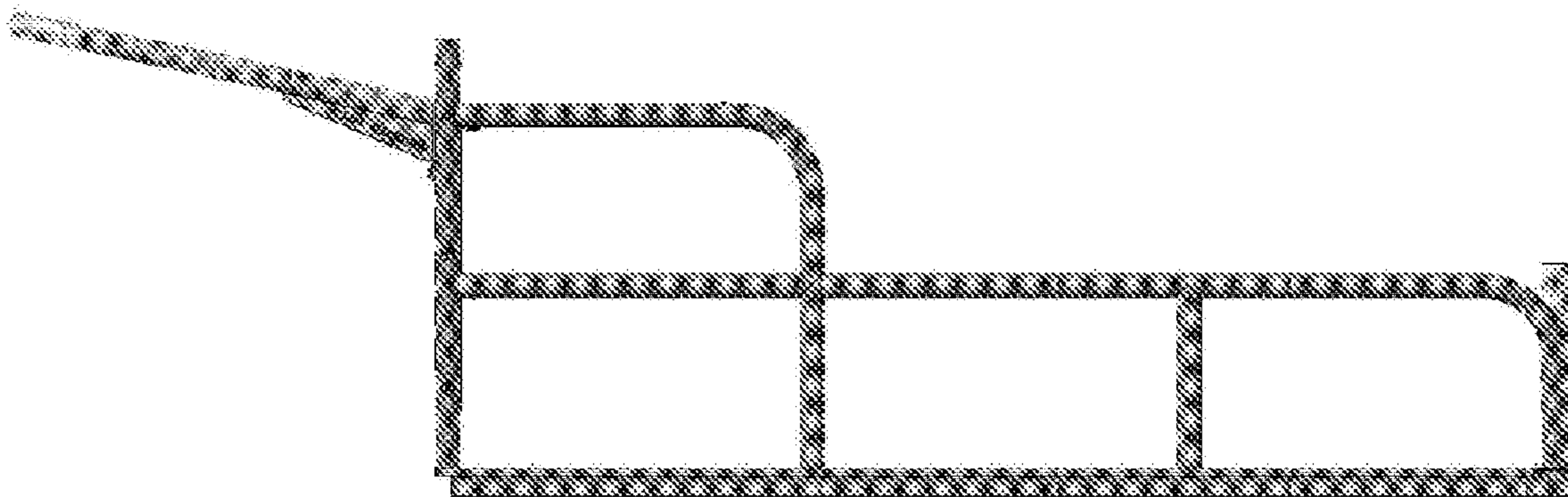


FIG. 6