



US00D561083S

(12) **United States Design Patent**
Langner et al.

(10) **Patent No.:** **US D561,083 S**

(45) **Date of Patent:** **** Feb. 5, 2008**

(54) **AVIONICS FLIGHT DISPLAY**

6,867,711 B1 * 3/2005 Langner et al. 340/979
D511,506 S * 11/2005 Min D14/126
D552,569 S * 10/2007 Kita D14/126

(75) Inventors: **Dale R. Langner**, Olathe, KS (US);
Jared S. Klein, Overland Park, KS
(US)

* cited by examiner

(73) Assignee: **Garmin International, Inc.**, Olathe,
KS (US)

Primary Examiner—Ian Simmons
Assistant Examiner—Maurice Stevens

(**) Term: **14 Years**

(74) *Attorney, Agent, or Firm*—Kevin E. West; Samuel M.
Korte

(21) Appl. No.: **29/246,568**

(57) **CLAIM**

(22) Filed: **Apr. 24, 2006**

The ornamental design for an avionics flight display, as
shown and described.

Related U.S. Application Data

(63) Continuation of application No. 29/199,434, filed on
Feb. 13, 2004, now Pat. No. Des. 526,611.

DESCRIPTION

(51) **LOC (8) Cl.** **12-07**
(52) **U.S. Cl.** **D12/345**
(58) **Field of Classification Search** D12/345;
D14/125-134, 60, 448; D21/324-333; 296/37.12,
296/70; 348/789, 836, 838; 340/945-984;
701/1-18

FIG. 1 is a front perspective view of an avionics flight
display according to the present invention;
FIG. 2 is a front elevational view thereof;
FIG. 3 is a top plan view thereof;
FIG. 4 is a bottom plan view thereof;
FIG. 5 is a left side view thereof; and,
FIG. 6 is a right side view thereof.

See application file for complete search history.

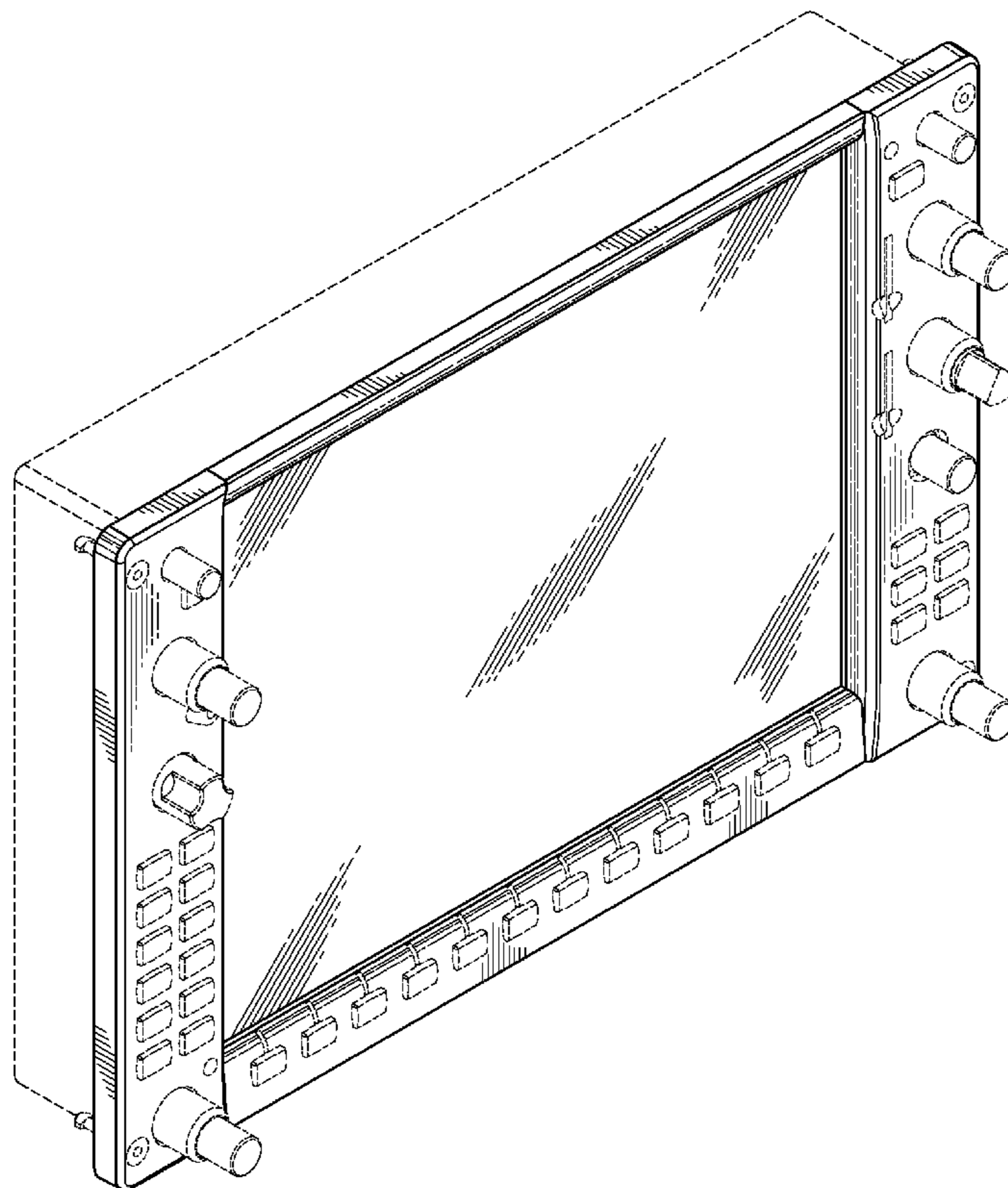
The broken lines shown in the drawing disclosure are for
illustrative purposes only and form no part of the claimed
design.

(56) **References Cited**

U.S. PATENT DOCUMENTS

D501,832 S * 2/2005 Peng D14/126

1 Claim, 4 Drawing Sheets



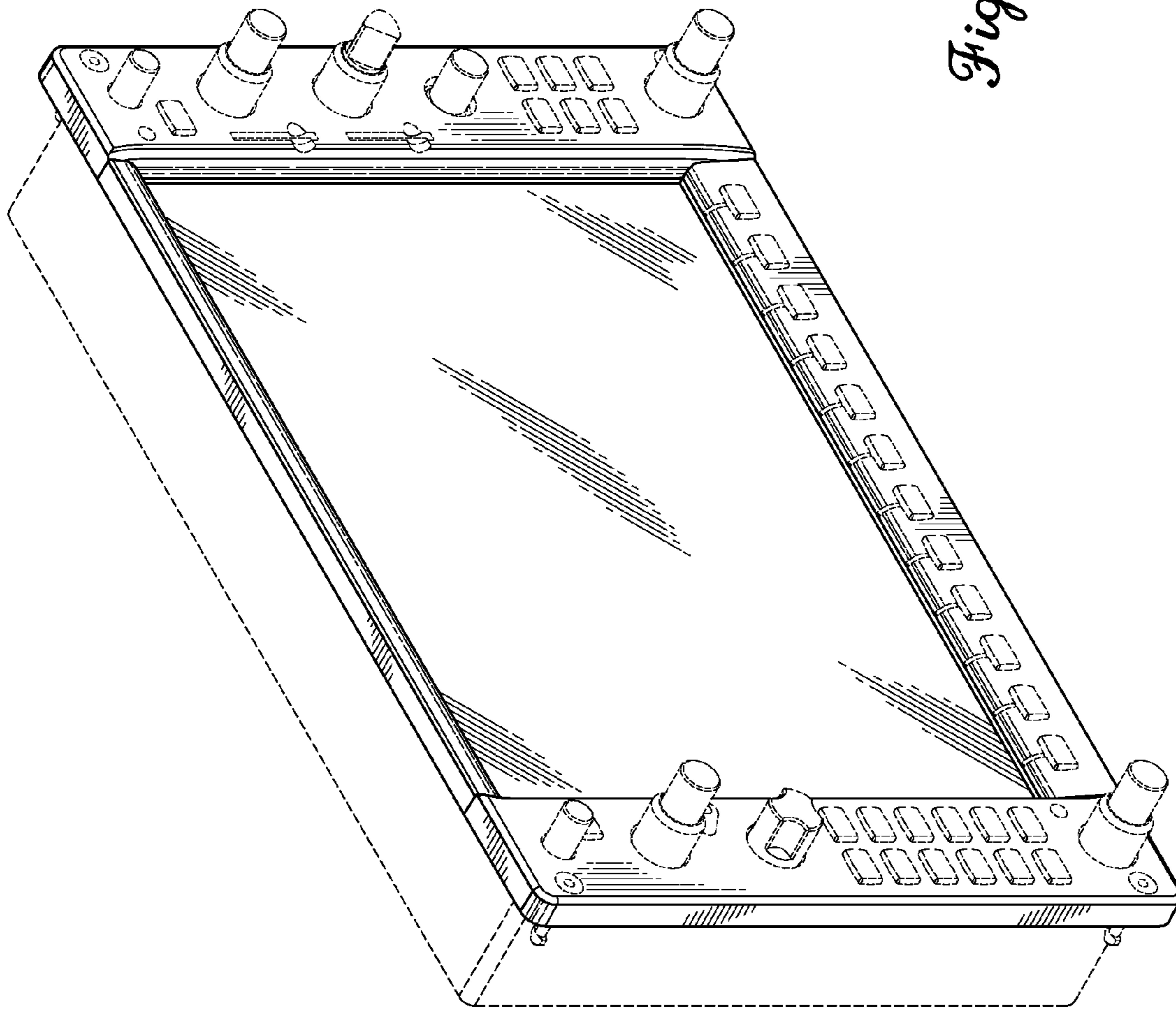


Fig. 1.

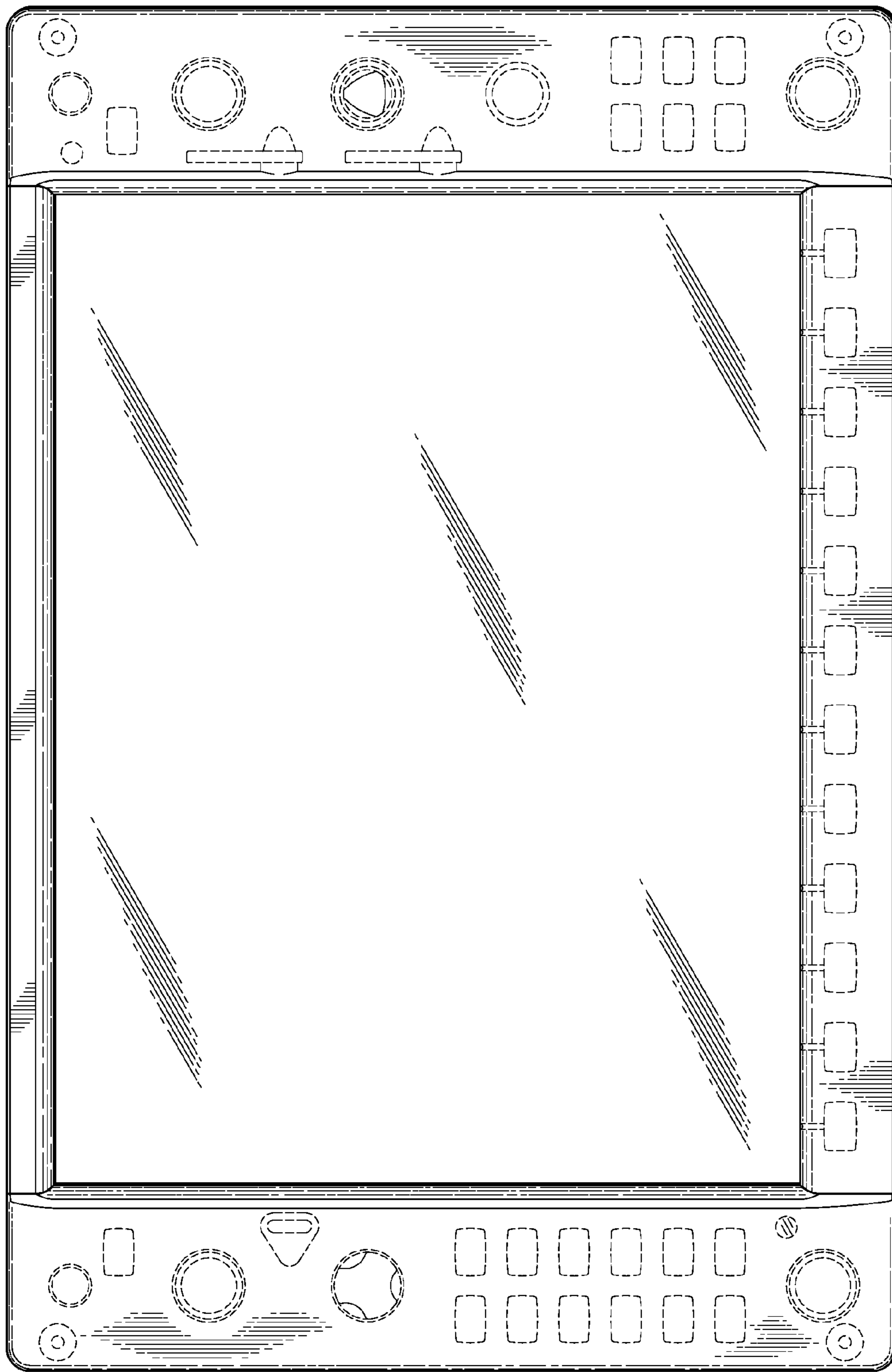


Fig. 2.

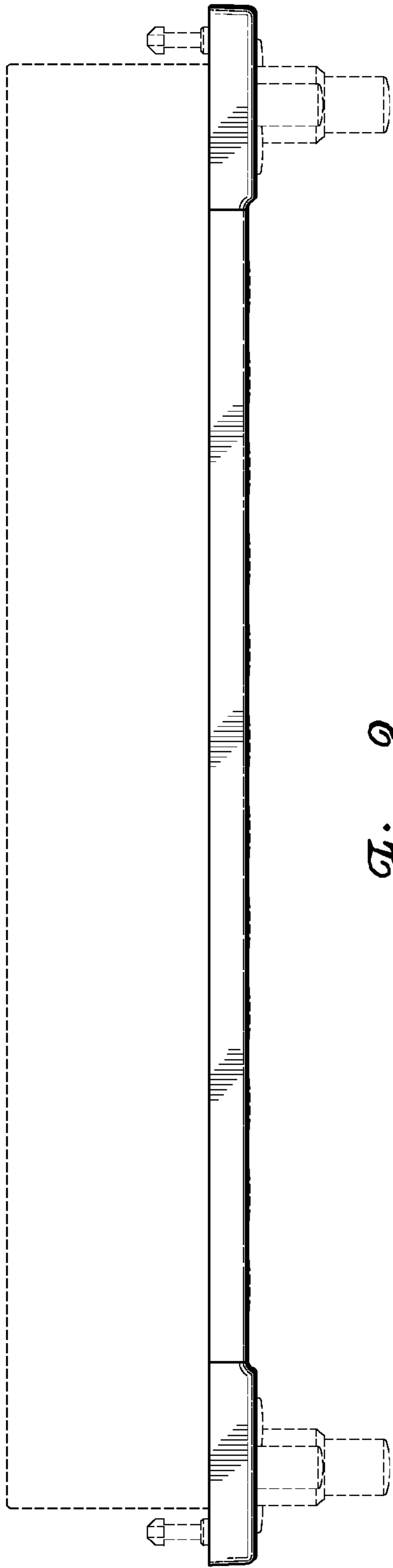


Fig. 3.

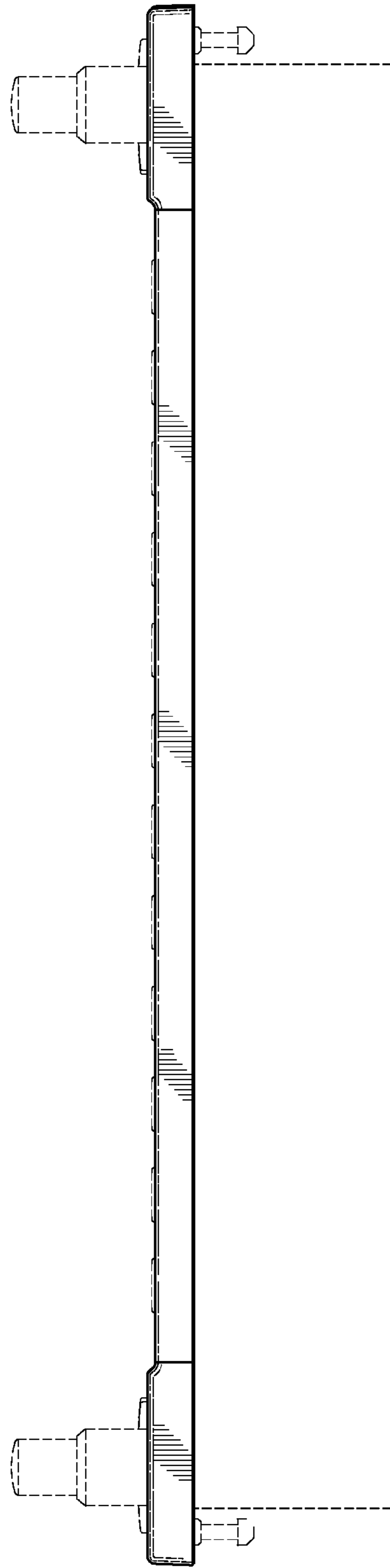


Fig. 4.

Fig. 6.

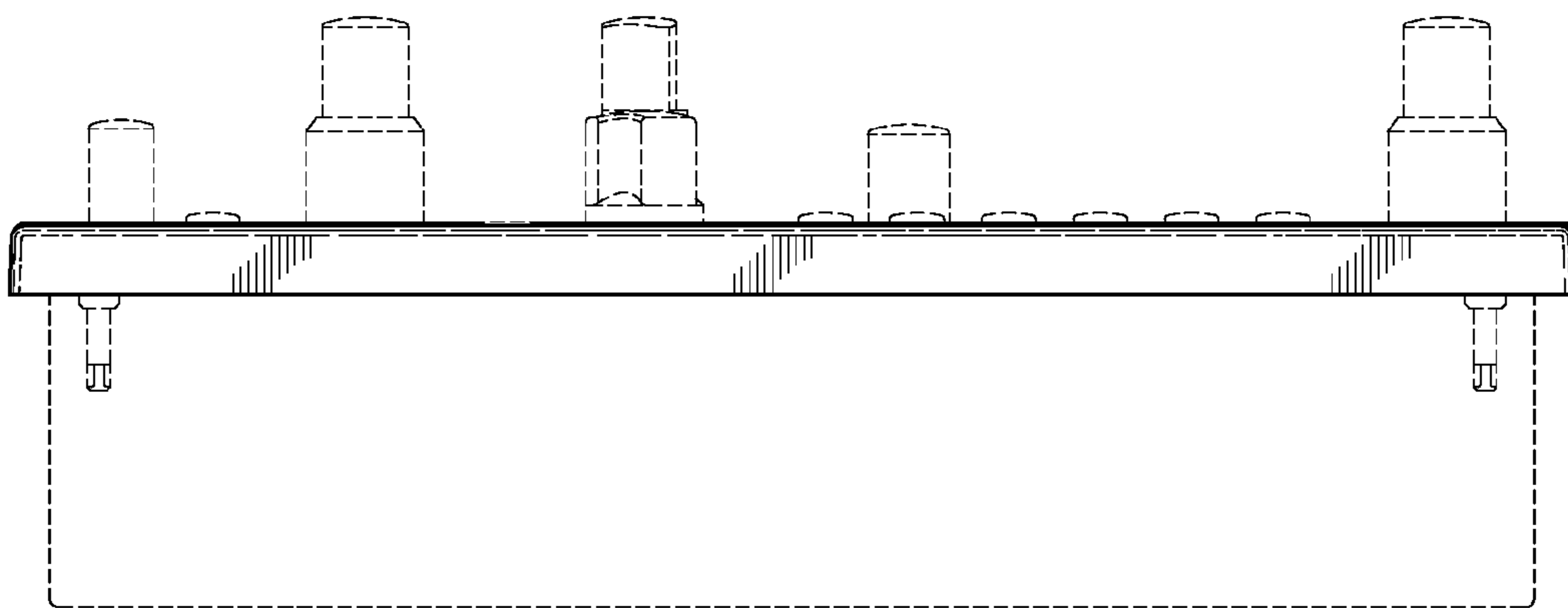
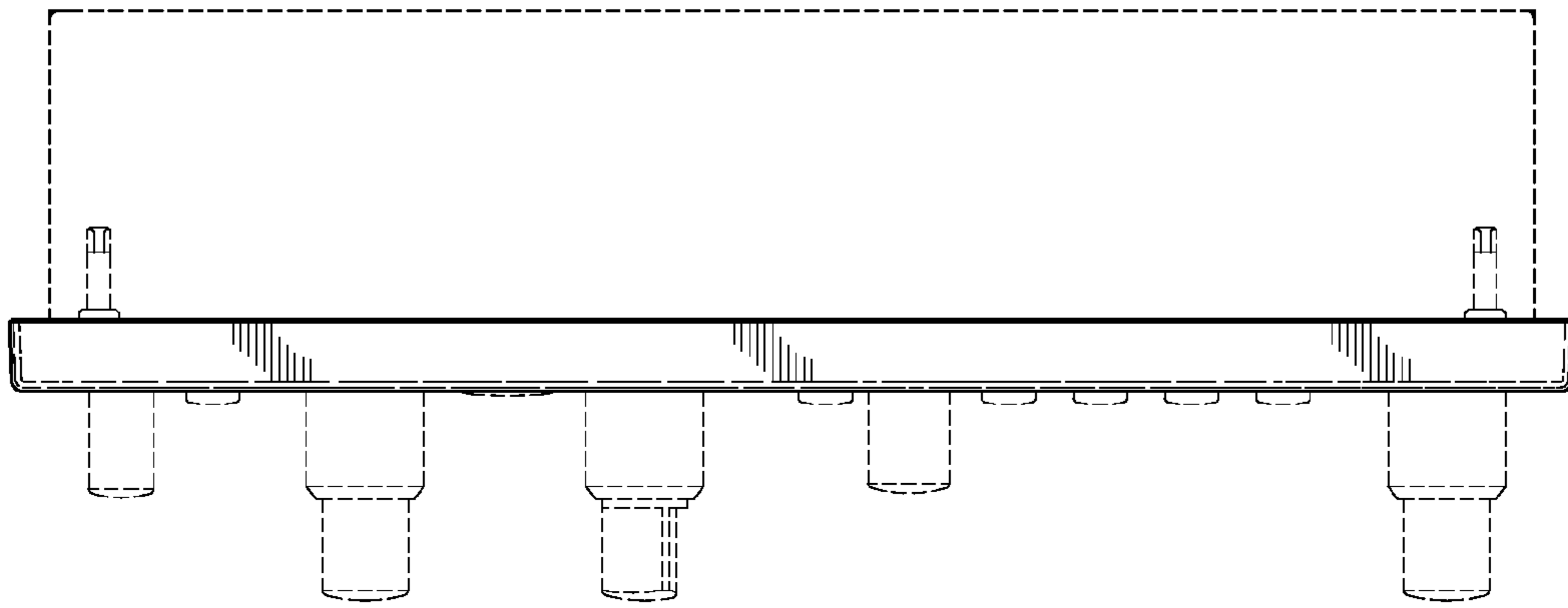


Fig. 5.