

US00D561081S

(12) **United States Design Patent**
Box

(10) **Patent No.:** **US D561,081 S**

(45) **Date of Patent:** **** Feb. 5, 2008**

(54) **WHEEL HUB**

D436,337 S * 1/2001 Yu D12/207
D440,533 S * 4/2001 Muraoka D12/207
D470,447 S * 2/2003 Orey D12/207

(75) Inventor: **John G. Box**, Norco, CA (US)

(73) Assignee: **Colours 'N Motion**, Corona, CA (US)

* cited by examiner

(**) Term: **14 Years**

Primary Examiner—Stacia Cadmus

(21) Appl. No.: **29/295,288**

(74) *Attorney, Agent, or Firm*—Michael Best & Friedrich LLP

(22) Filed: **Sep. 25, 2007**

(57) **CLAIM**

(51) **LOC (8) Cl.** **12-16**

I claim the ornamental design for a wheel hub, as shown and described.

(52) **U.S. Cl.** **D12/207**

(58) **Field of Classification Search** D12/204,
D12/207, 213; 301/59–61, 5.309, 105.1,
301/110.5, 124.1, 124.2, 5.1, 5.301; 192/64;
280/279; 384/544–545

See application file for complete search history.

DESCRIPTION

FIG. 1 is a front perspective view of a wheel hub embodying the present invention.

FIG. 2 is a front view of the wheel hub of FIG. 1.

FIG. 3 is a rear view of the wheel hub of FIG. 1.

FIG. 4 is a top view of the wheel hub of FIG. 1; and,

FIG. 5 is an angled side view of the wheel hub of FIG. 1.

The portions of the wheel hub shown in broken lines are for illustrative purposes only and form no part of the claimed design.

(56) **References Cited**

U.S. PATENT DOCUMENTS

D350,088 S * 8/1994 Inatani D12/207
D364,842 S * 12/1995 Hoepfner et al. D12/207
D365,310 S * 12/1995 Chen D12/207
D369,336 S * 4/1996 Zemlicka et al. D12/207
D381,310 S * 7/1997 Zemlicka et al. D12/207
D430,093 S * 8/2000 Muraoka D12/207

1 Claim, 3 Drawing Sheets

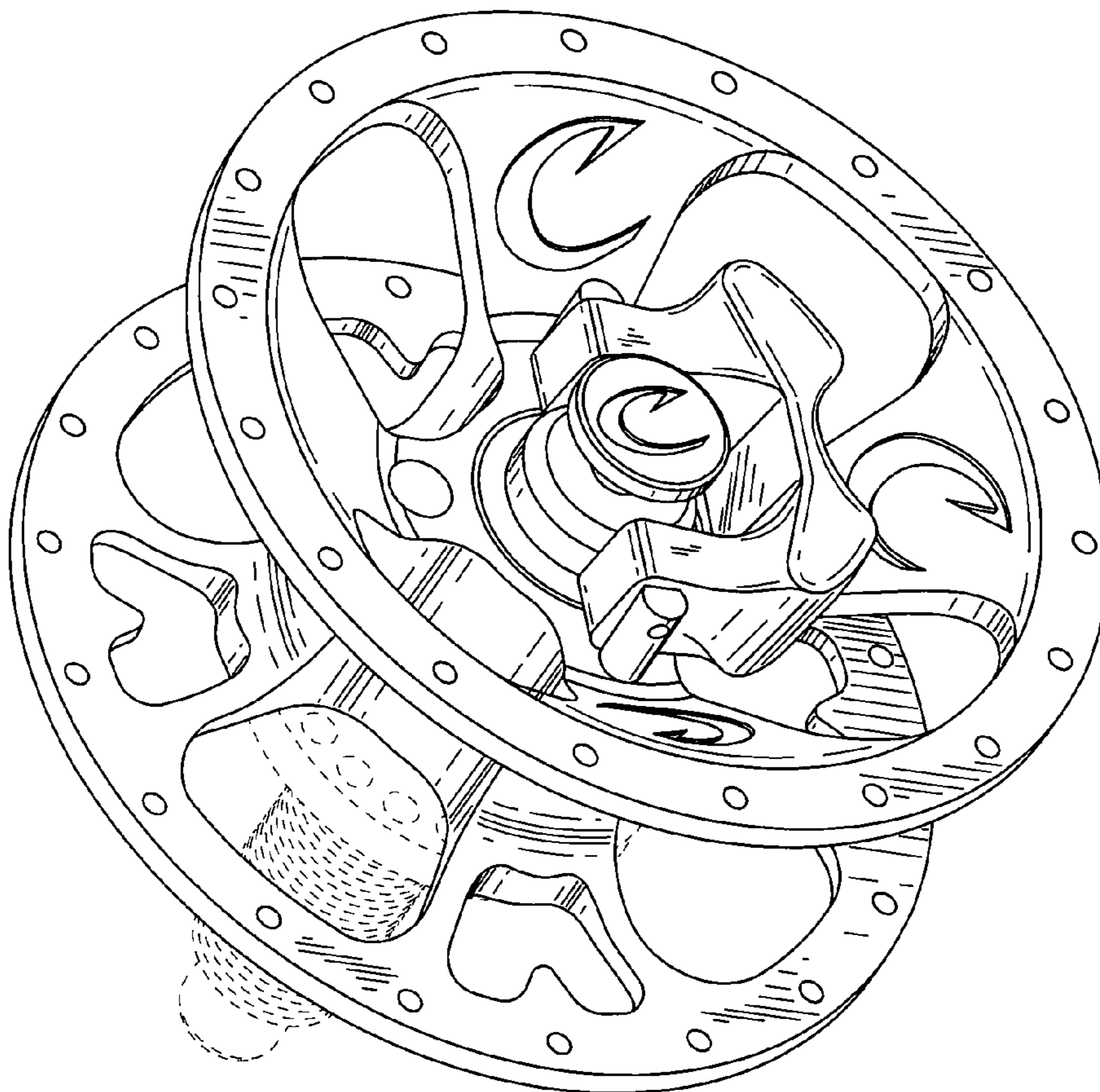




FIG. 1

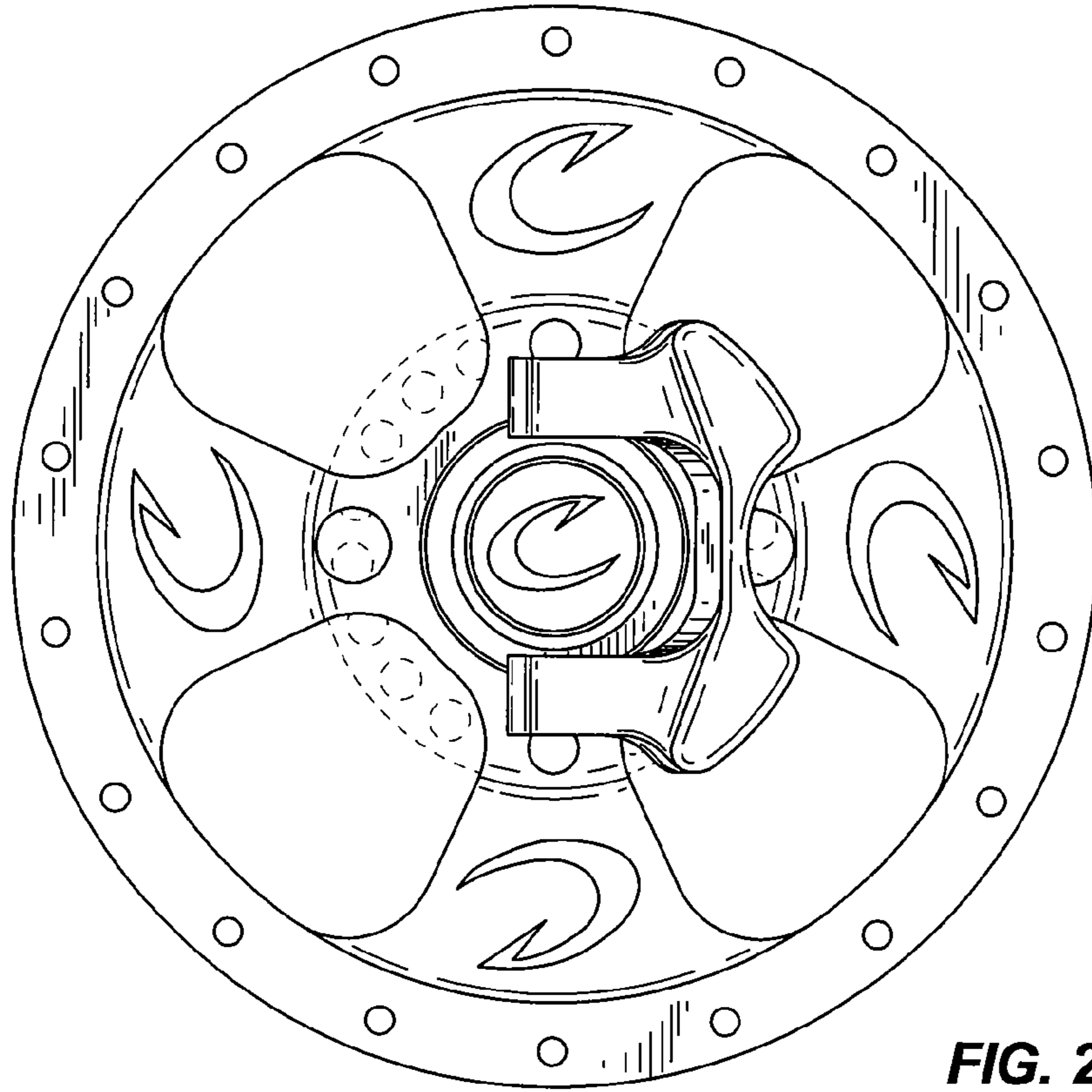


FIG. 2

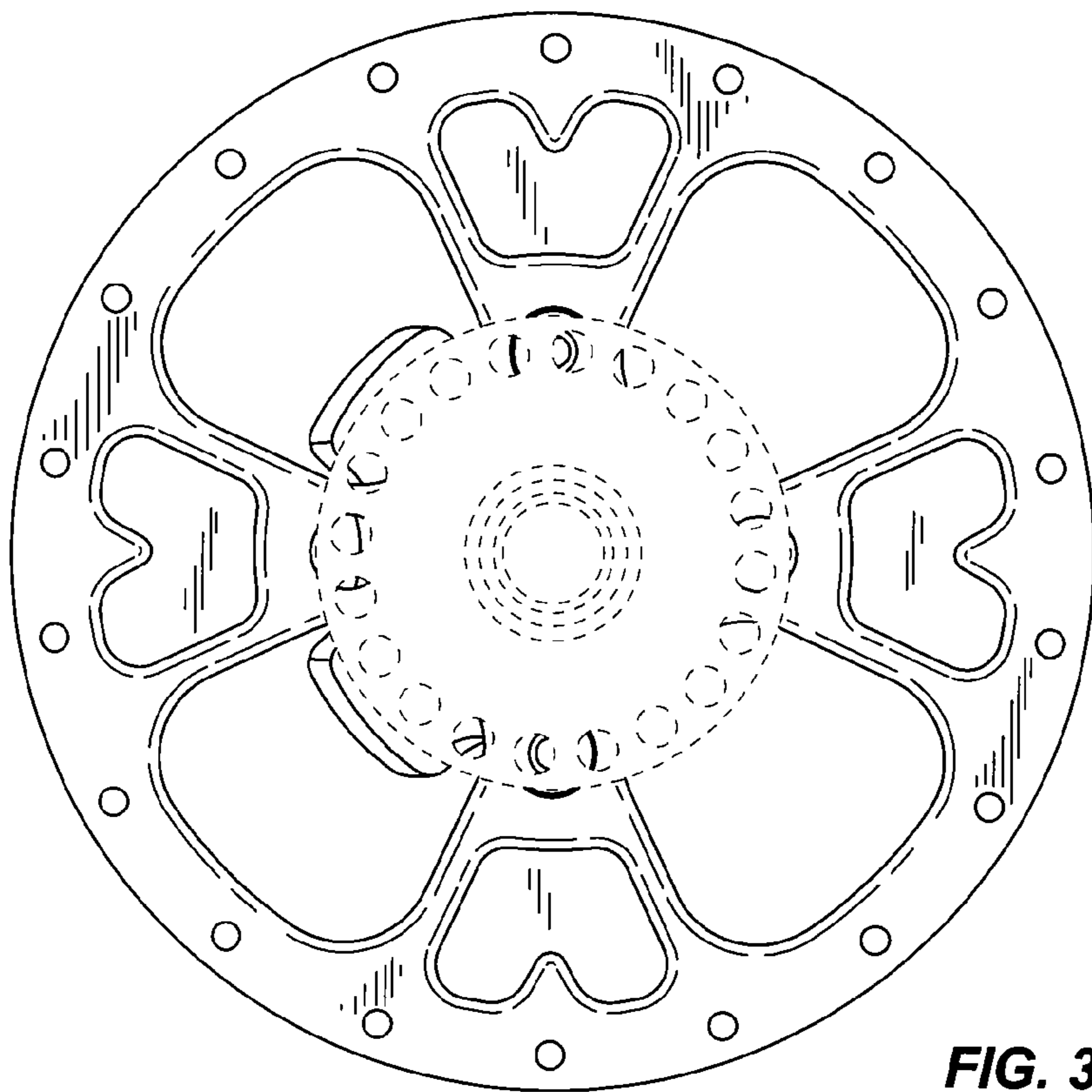


FIG. 3

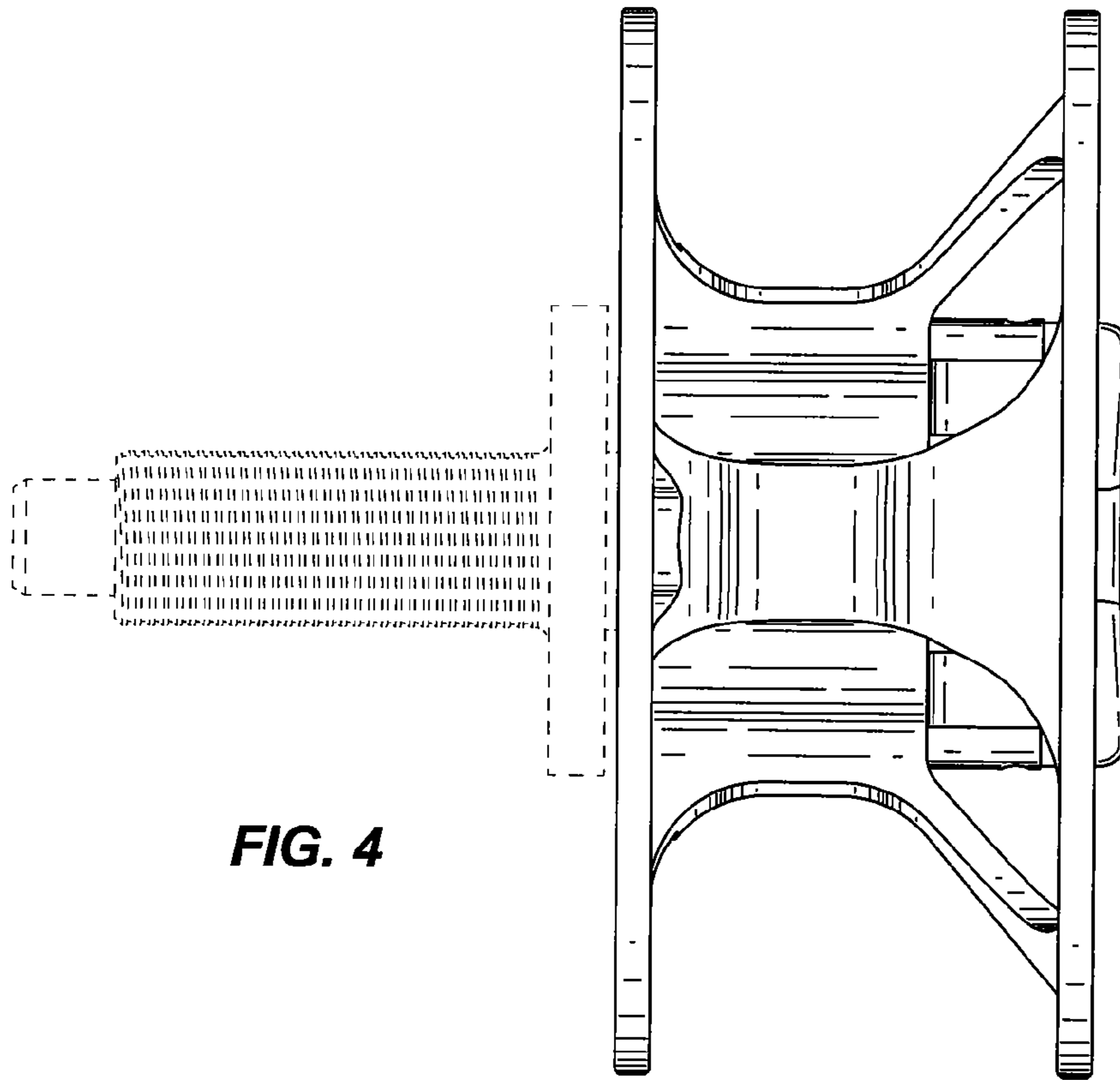


FIG. 4

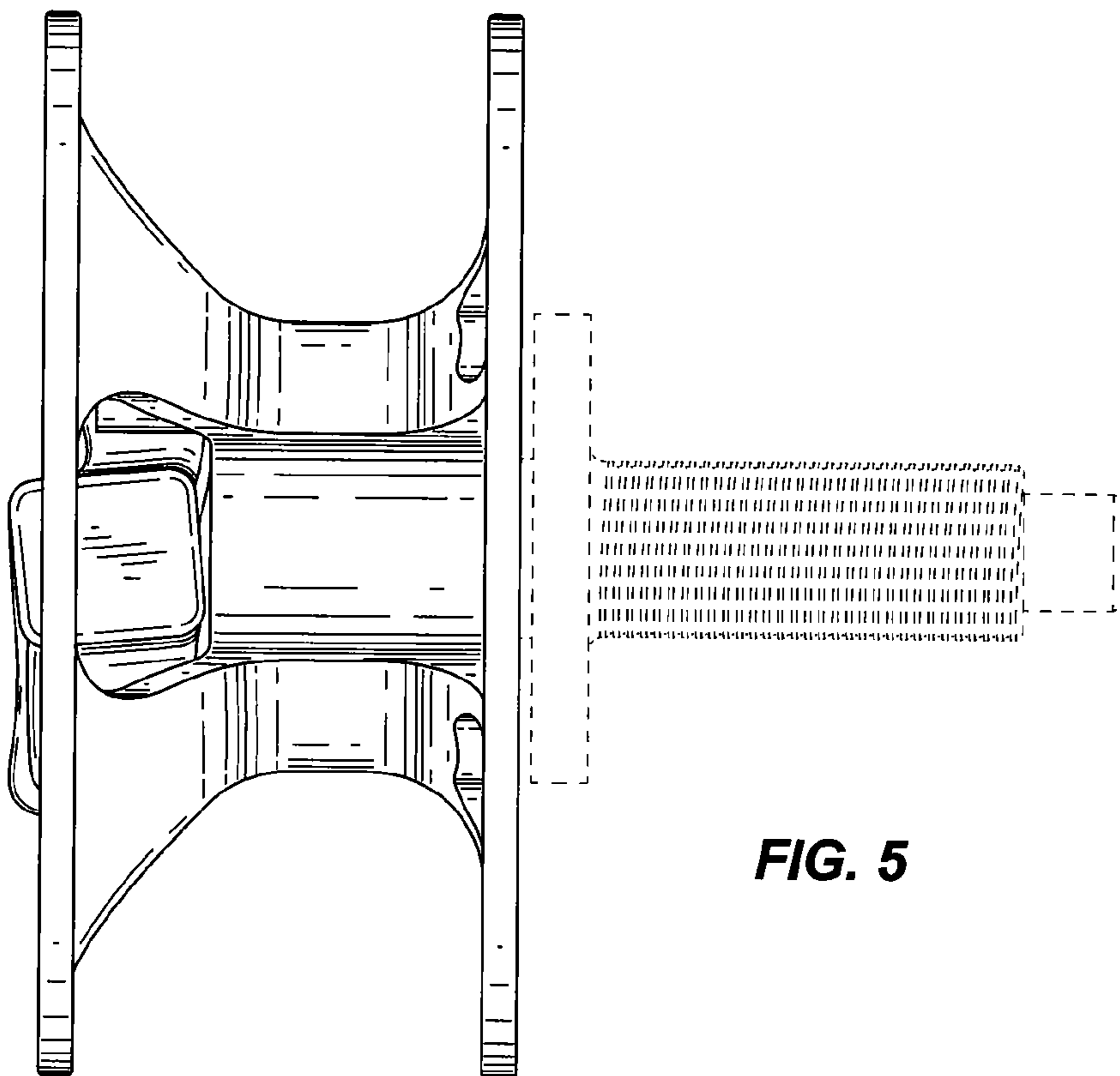


FIG. 5