



US00D561077S

(12) **United States Design Patent**
Kato

(10) **Patent No.:** **US D561,077 S**
(45) **Date of Patent:** **** Feb. 5, 2008**

(54) **CONTROL PANEL FOR AUTOMOBILES**

(75) Inventor: **Keisuke Kato**, Wako (JP)

(73) Assignee: **Honda Motor Co., Ltd.**, Tokyo (JP)

(**) Term: **14 Years**

(21) Appl. No.: **29/276,352**

(22) Filed: **Jan. 23, 2007**

(30) **Foreign Application Priority Data**

Jul. 24, 2006 (JP) 2006-019372

(51) **LOC (8) Cl.** **12-16**

(52) **U.S. Cl.** **D12/192**

(58) **Field of Classification Search** D12/415,
D12/192; 180/90; 280/750-752; 296/190-191,
296/70; D10/46, 102, 98, 122-127; D15/17,
D15/28; D14/258, 168, 157, 257
See application file for complete search history.

(56) **References Cited**

U.S. PATENT DOCUMENTS

- D401,545 S * 11/1998 Sacco et al. D12/192
- D435,818 S * 1/2001 Shimizu et al. D12/192
- D449,026 S * 10/2001 Tsay et al. D12/192
- D474,137 S * 5/2003 Wyszogrod D12/192
- D494,906 S * 8/2004 Pfeiffer D12/192
- D494,909 S * 8/2004 Pfeiffer D12/192
- D503,367 S * 3/2005 Pfeiffer D12/192
- D504,372 S * 4/2005 Juraschek D12/192
- D512,356 S * 12/2005 Pfeiffer D12/192

- D519,995 S * 5/2006 Quilling, II D14/258
- D528,485 S * 9/2006 Montijo et al. D12/192
- D529,848 S * 10/2006 Shigehara et al. D12/192
- D535,926 S * 1/2007 Anderson et al. D12/192

FOREIGN PATENT DOCUMENTS

JP 1248994 8/2005

OTHER PUBLICATIONS

Japanese Office Action, dated Dec. 20, 2006, Application No. 2006-019372.

* cited by examiner

Primary Examiner—Stacia Cadmus

(74) *Attorney, Agent, or Firm*—Westerman, Hattori, Daniels & Adrian, LLP.

(57) **CLAIM**

The ornamental design for a control panel for automobiles, as shown and described.

DESCRIPTION

FIG. 1 is a front view of the control panel;
FIG. 2 is a plan view of the control panel;
FIG. 3 is a right side view of the control panel;
FIG. 4 is a left side view of the control panel; and,
FIG. 5 is a front perspective view of the control panel.
The broken lines are for illustrative purposes only, and form no part of the claimed design.

1 Claim, 5 Drawing Sheets

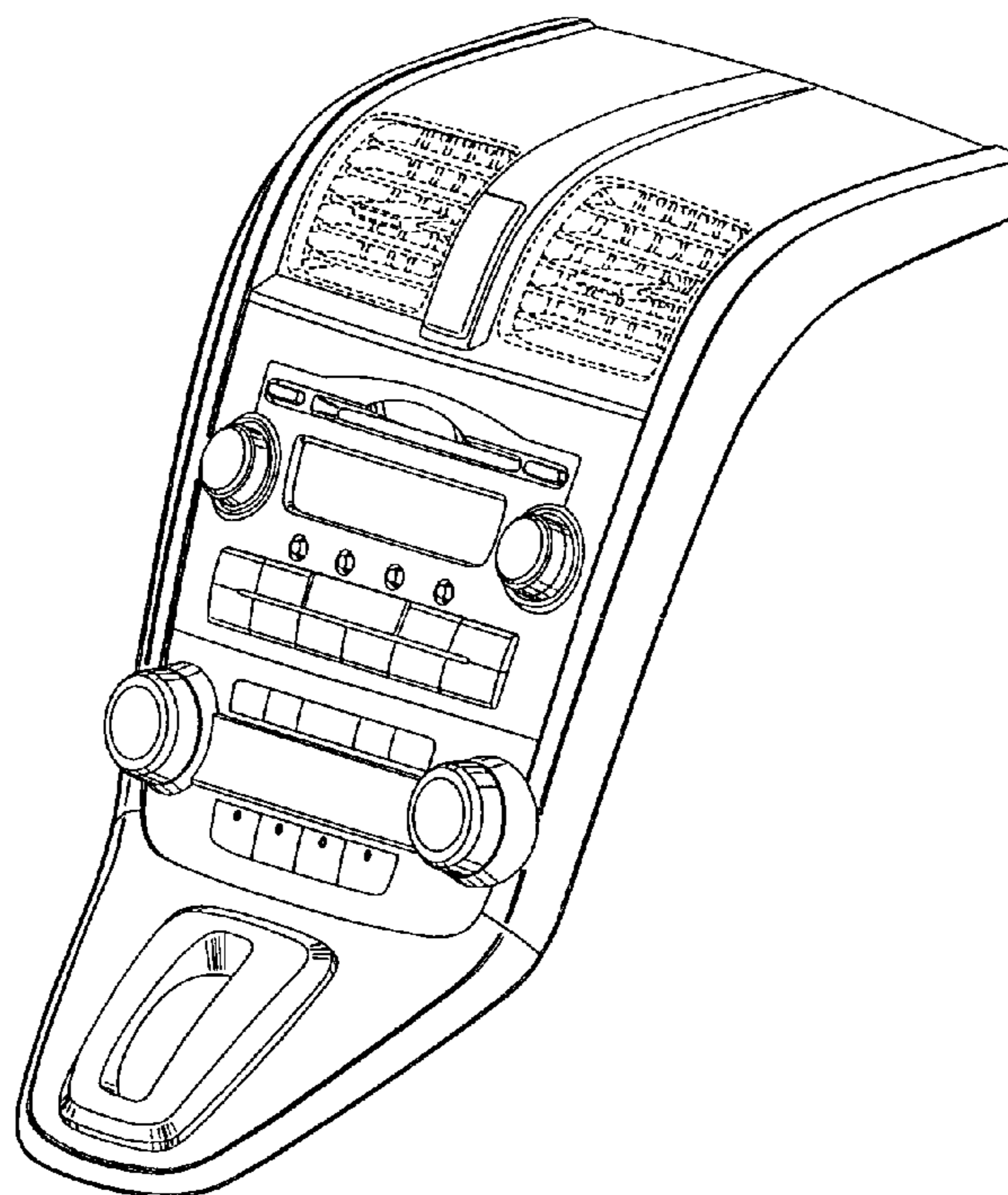
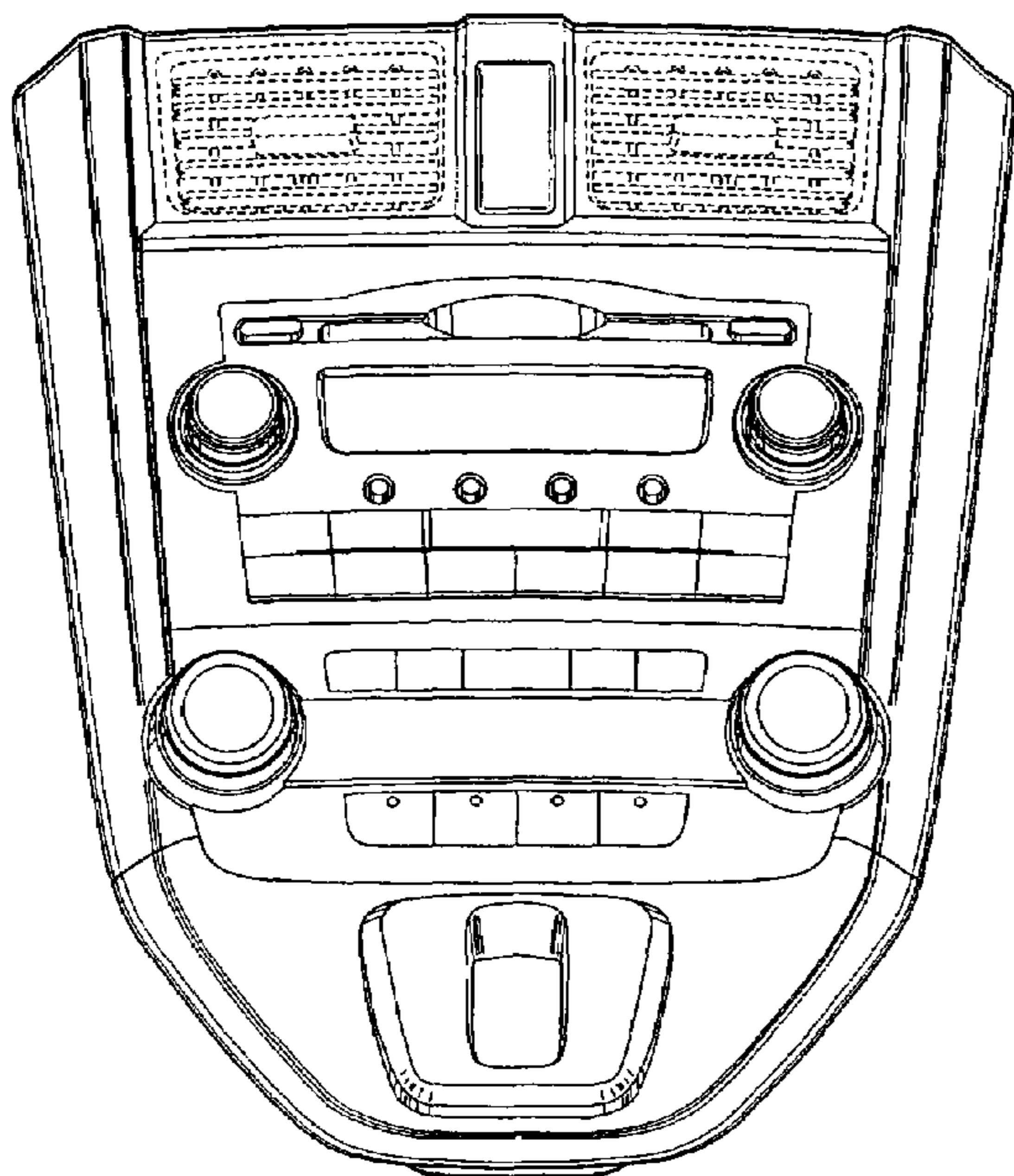


FIG. 1

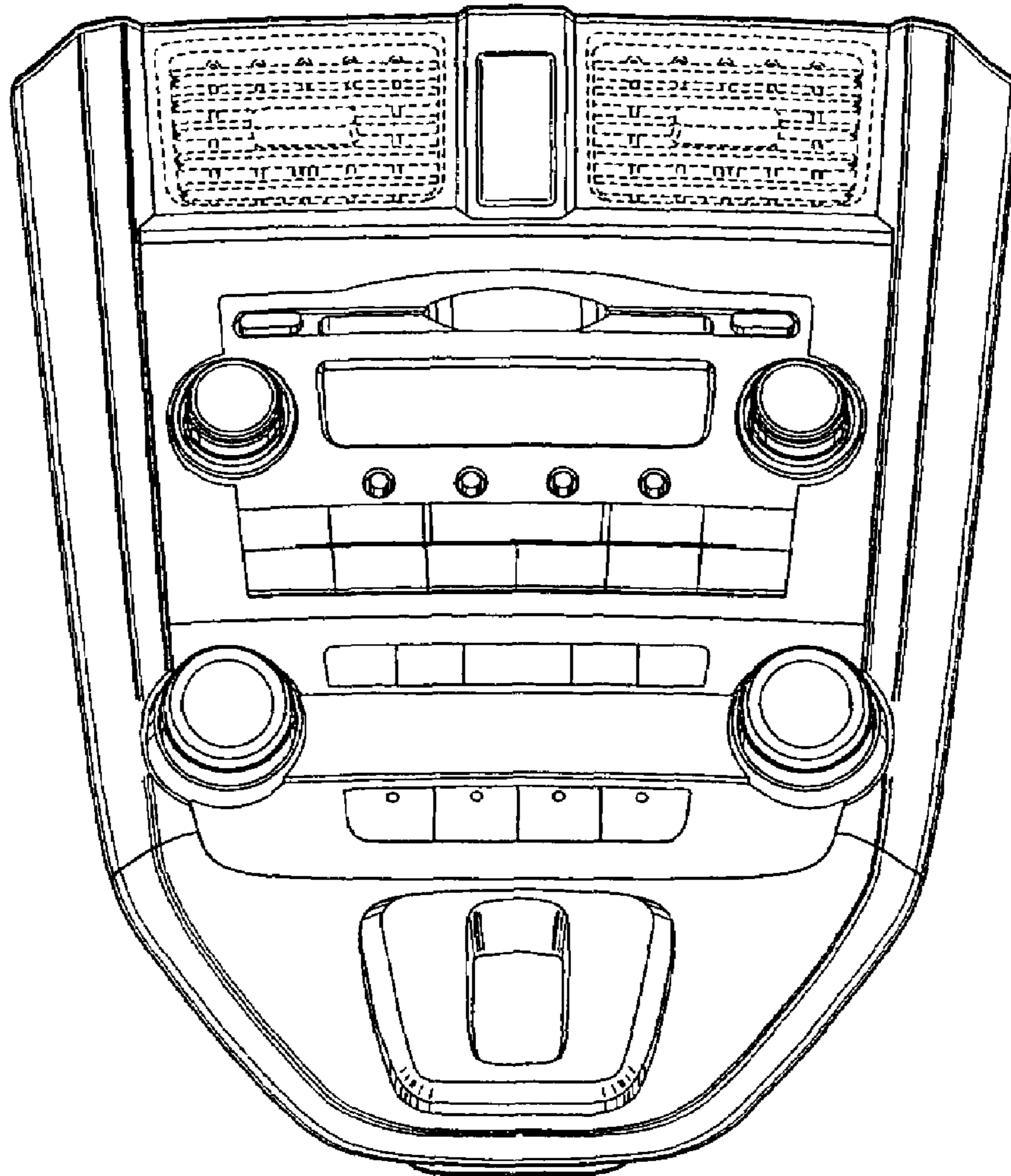


FIG.2

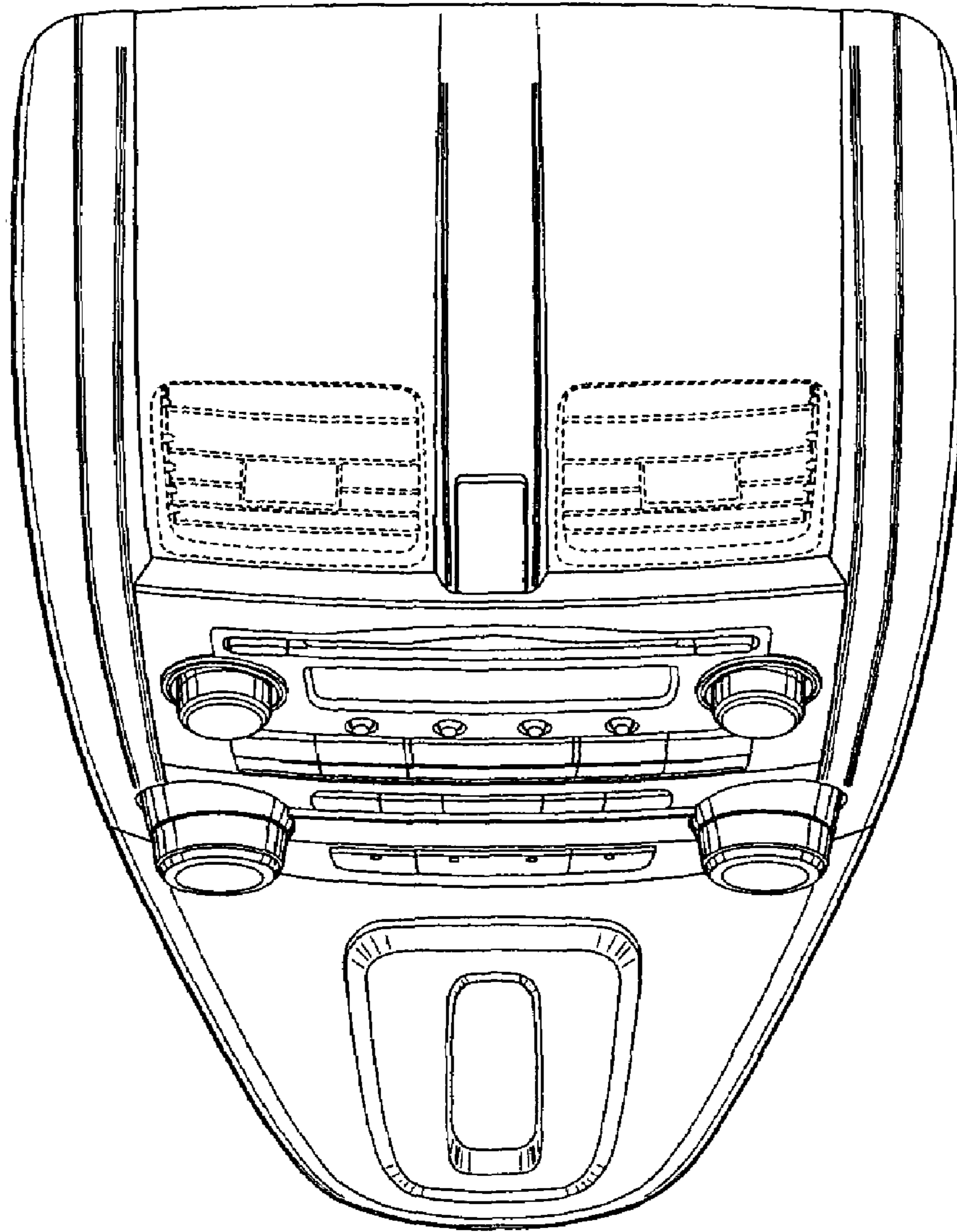


FIG.3

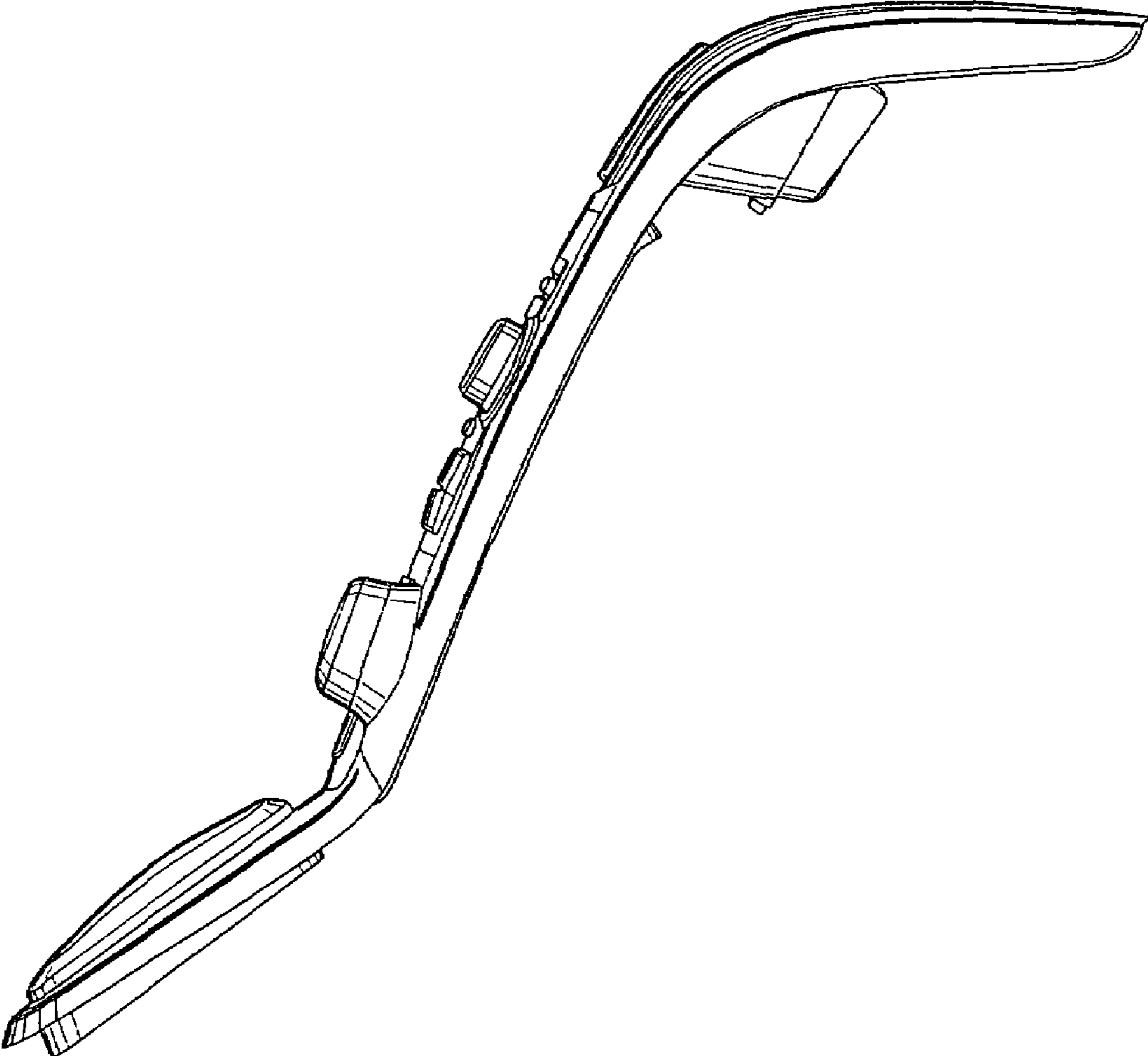


FIG.4

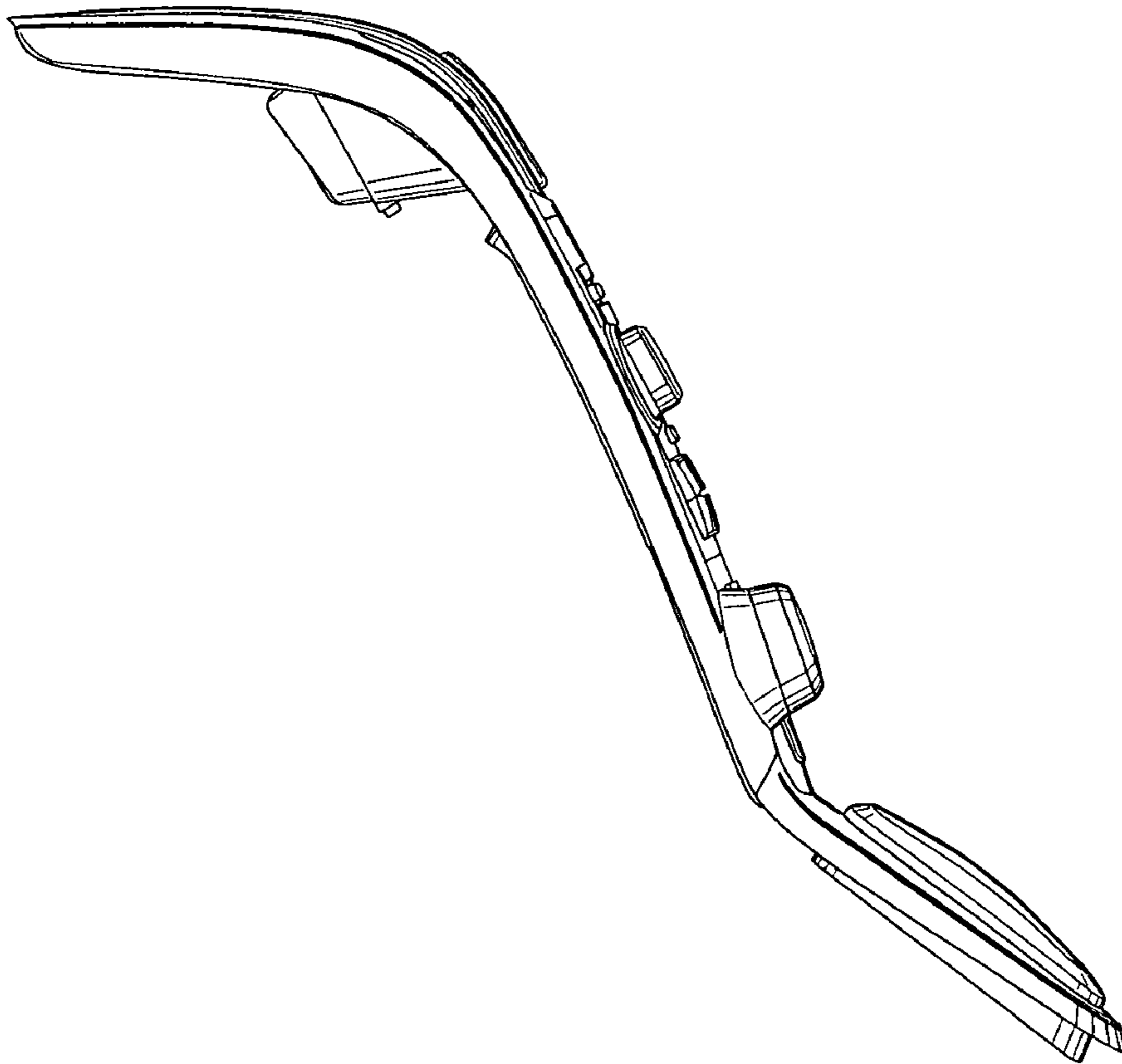


FIG.5

