



US00D561076S

(12) **United States Design Patent** (10) **Patent No.:** **US D561,076 S**
Arakawa (45) **Date of Patent:** **** Feb. 5, 2008**

(54) **BICYCLE SHIFTER**

(57) **CLAIM**

(75) Inventor: **Masayuki Arakawa**, Sakai (JP)

The ornamental design for a bicycle shifter, as shown and described.

(73) Assignee: **Shimano Inc.**, Osaka (JP)

(**) Term: **14 Years**

DESCRIPTION

(21) Appl. No.: **29/277,665**

FIG. 1 is a perspective view of a bicycle shifter in accordance with my new design;

(22) Filed: **Mar. 6, 2007**

FIG. 2 is a top plan view of the bicycle shifter in accordance with my new design;

(51) **LOC (8) Cl.** **12-16**

FIG. 3 is a first side elevational view of the bicycle shifter in accordance with my new design;

(52) **U.S. Cl.** **D12/179**

FIG. 4 is a bottom plan view of the bicycle shifter in accordance with my new design;

(58) **Field of Classification Search** D12/111,
D12/179; 74/489, 502.2, 523, 551.8, 551.9,
74/473.12-473.14

See application file for complete search history.

FIG. 5 is a second side elevational view of the bicycle shifter in accordance with my new design;

(56) **References Cited**

FIG. 6 is a first end elevational view of the bicycle shifter in accordance with my new design; and,

U.S. PATENT DOCUMENTS

FIG. 7 is a second end elevational view of the bicycle shifter in accordance with my new design.

D392,233 S * 3/1998 Masui D12/179

D531,944 S * 11/2006 Okada D12/179

* cited by examiner

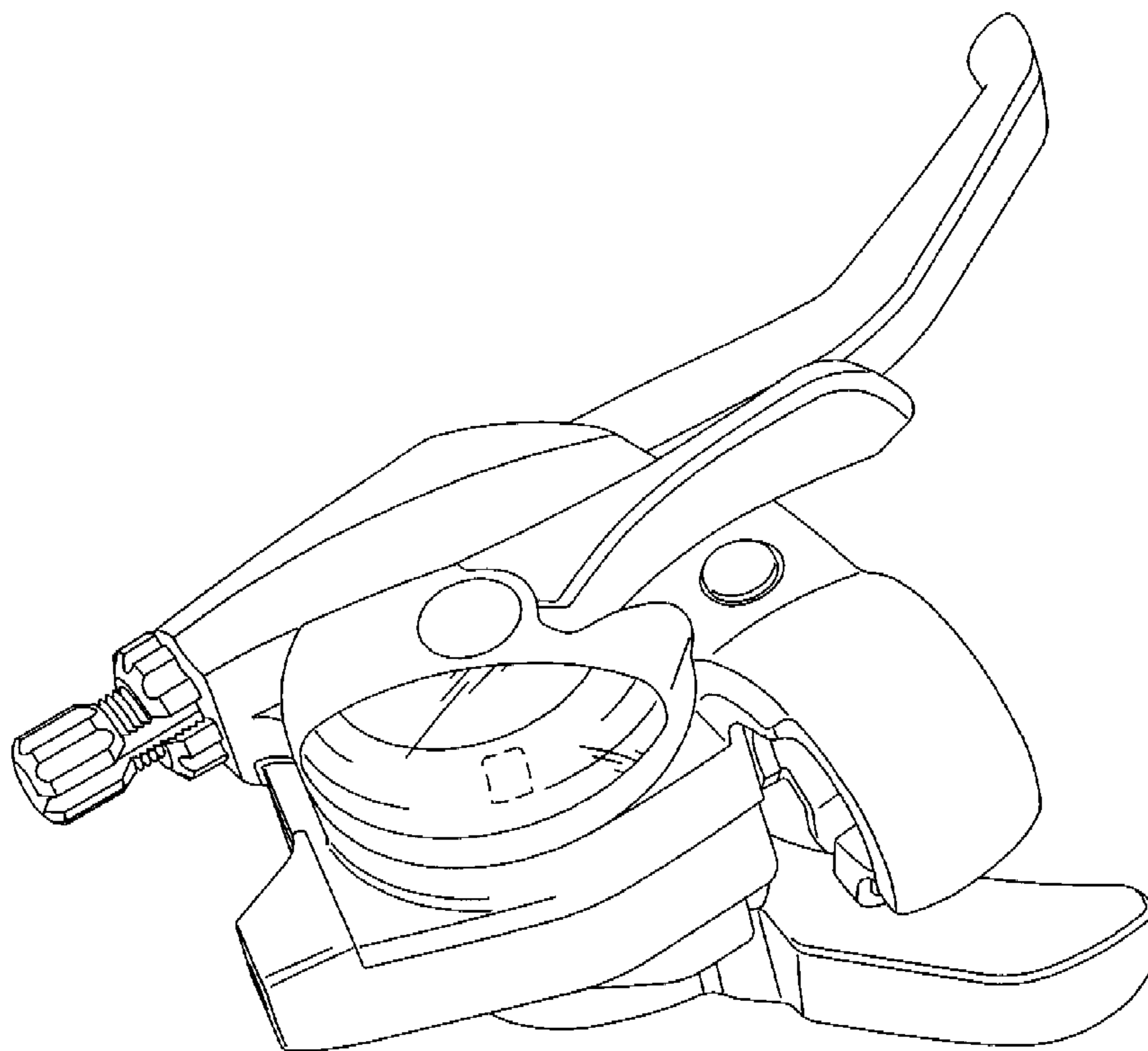
The broken lines in the drawing are for the purpose of showing environment and form no part of the claimed design.

Primary Examiner—Cathron Brooks

Assistant Examiner—Linda Brooks

(74) *Attorney, Agent, or Firm*—Global IP Counselors, LLP

1 Claim, 4 Drawing Sheets



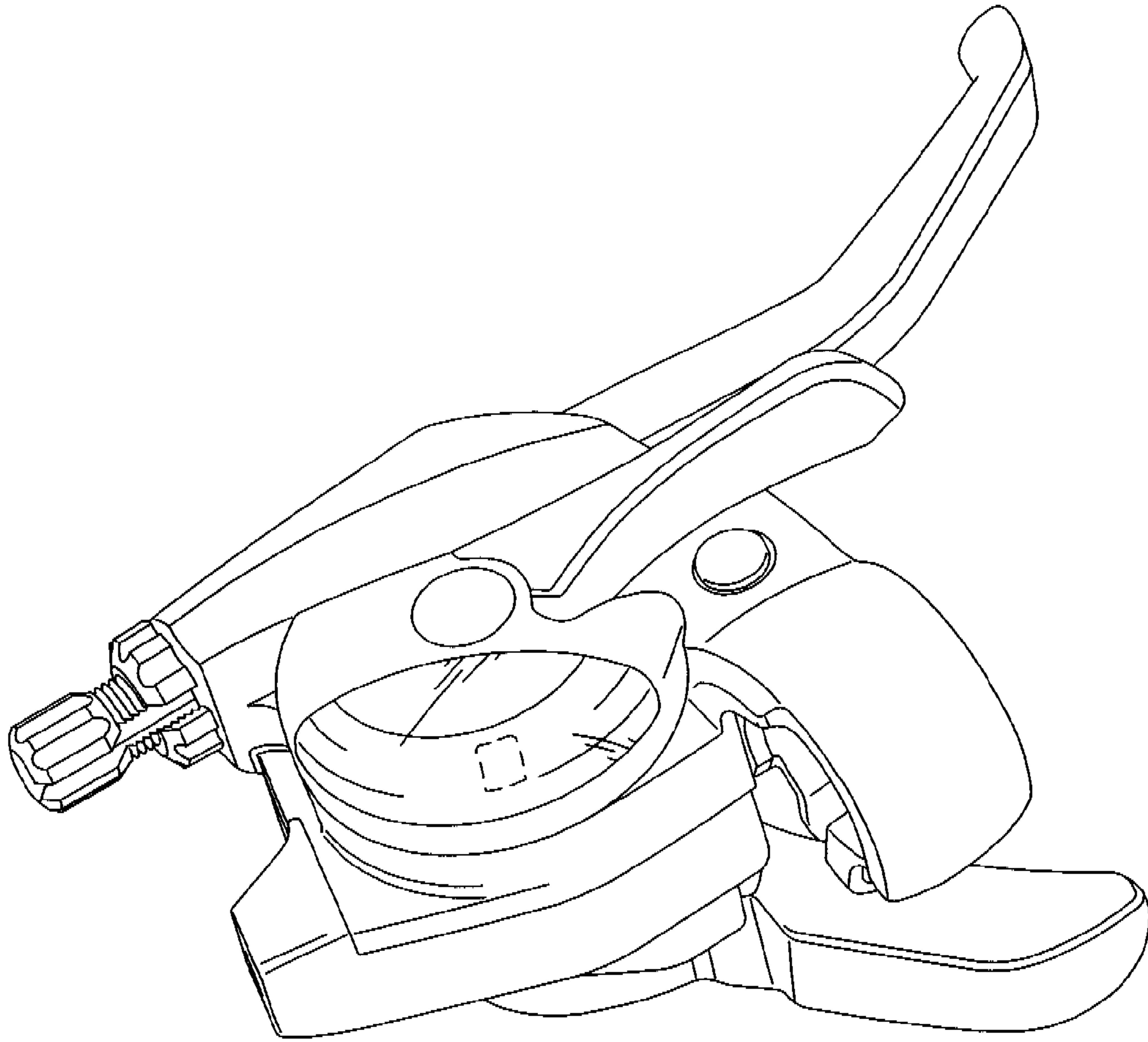


FIG. 1

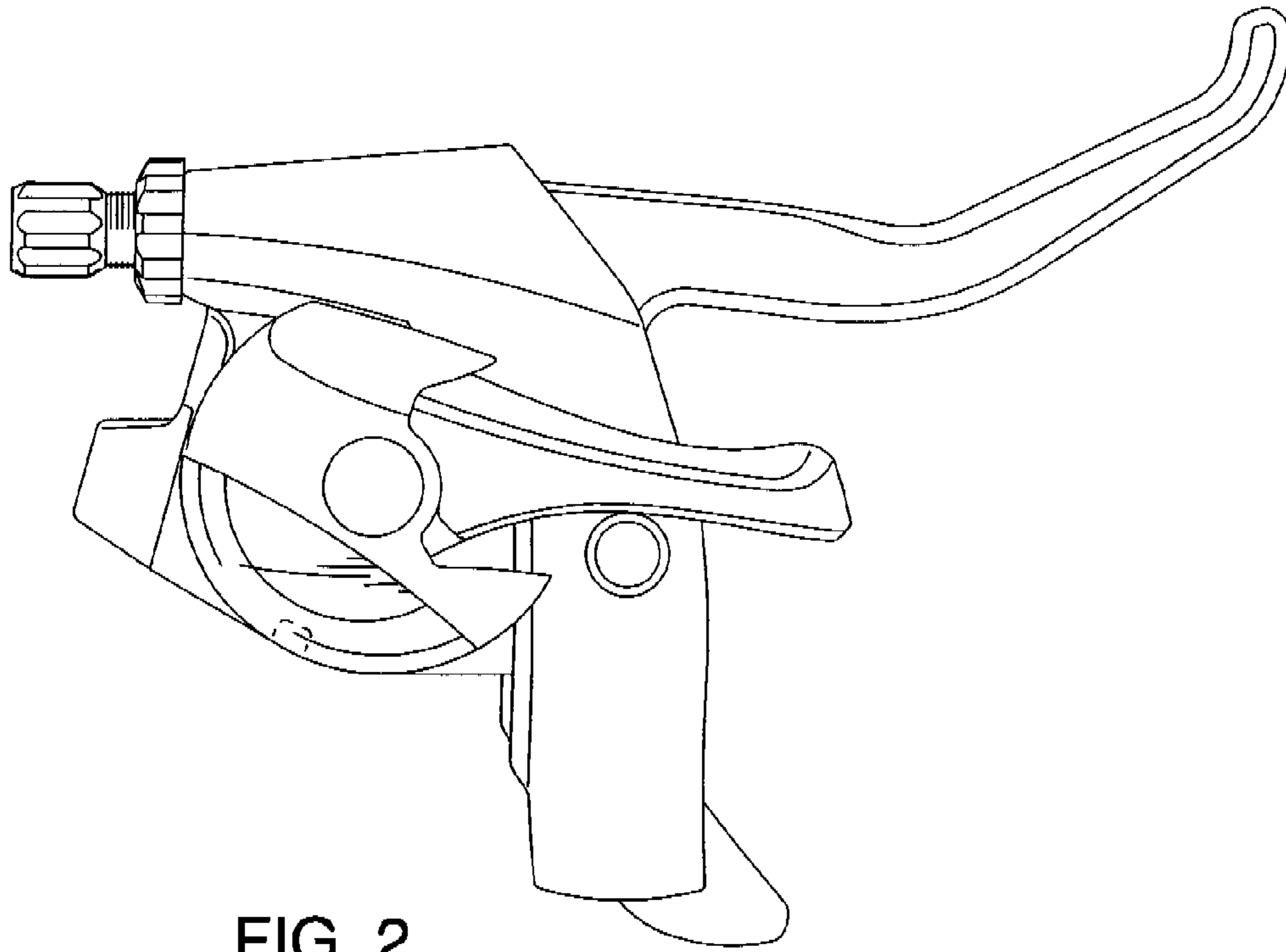


FIG. 2

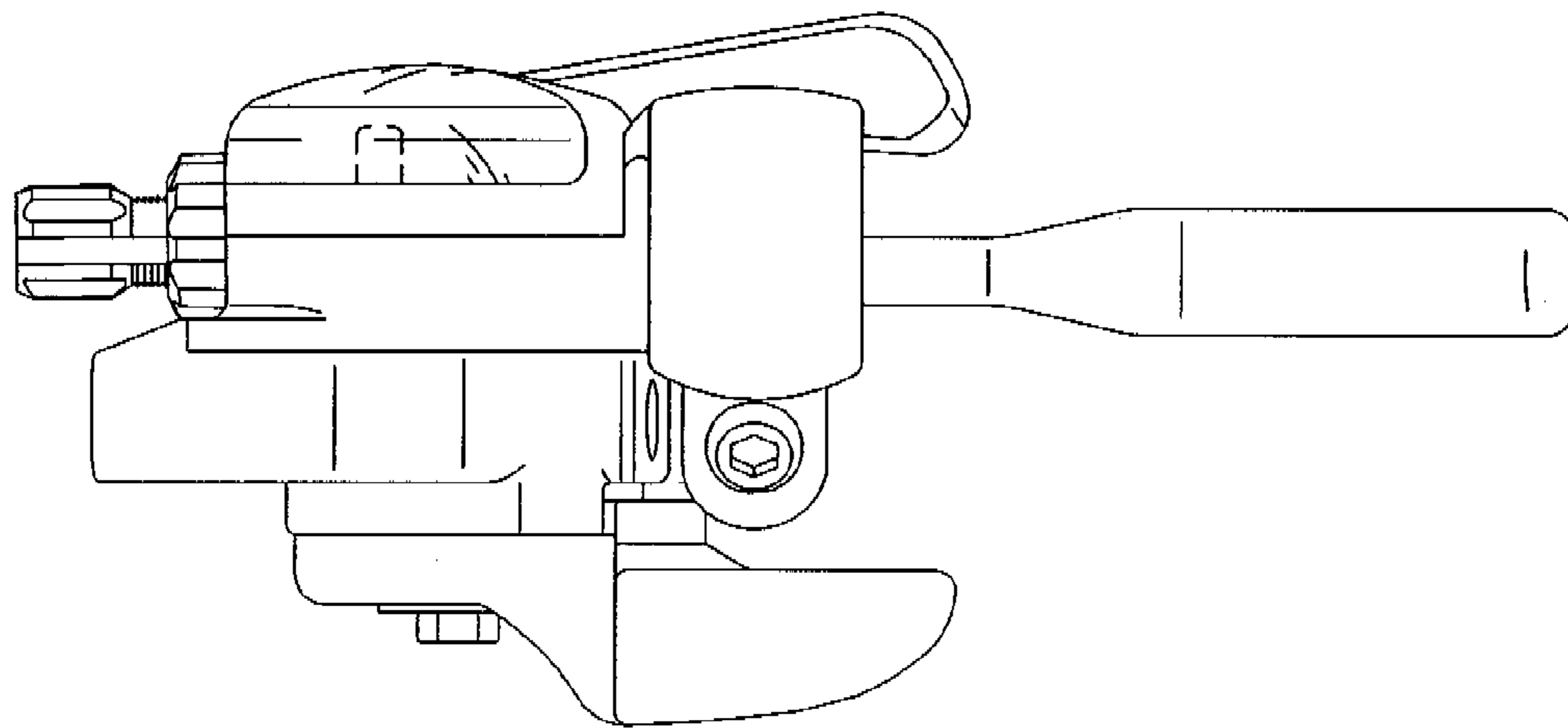


FIG. 3

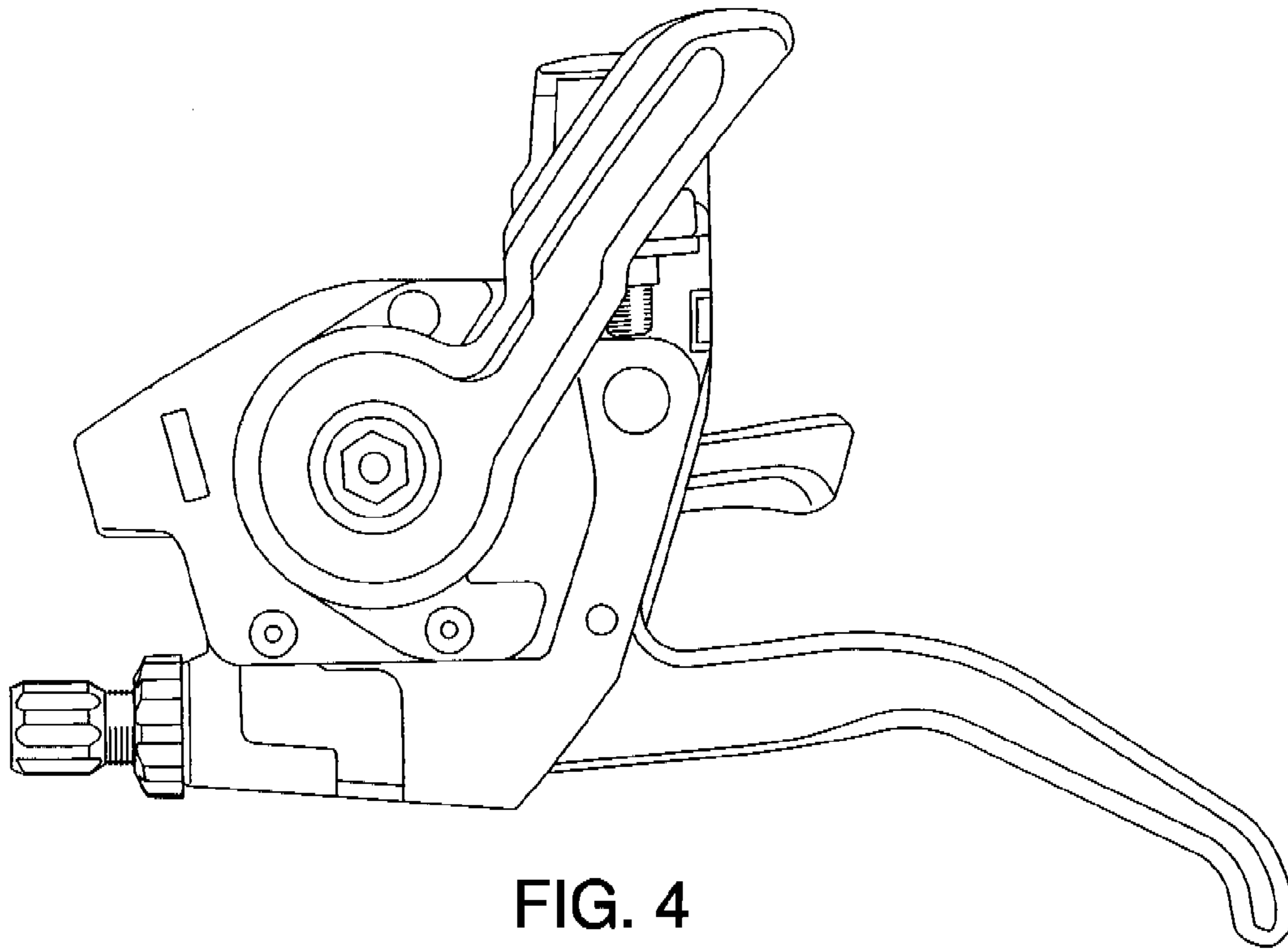


FIG. 4

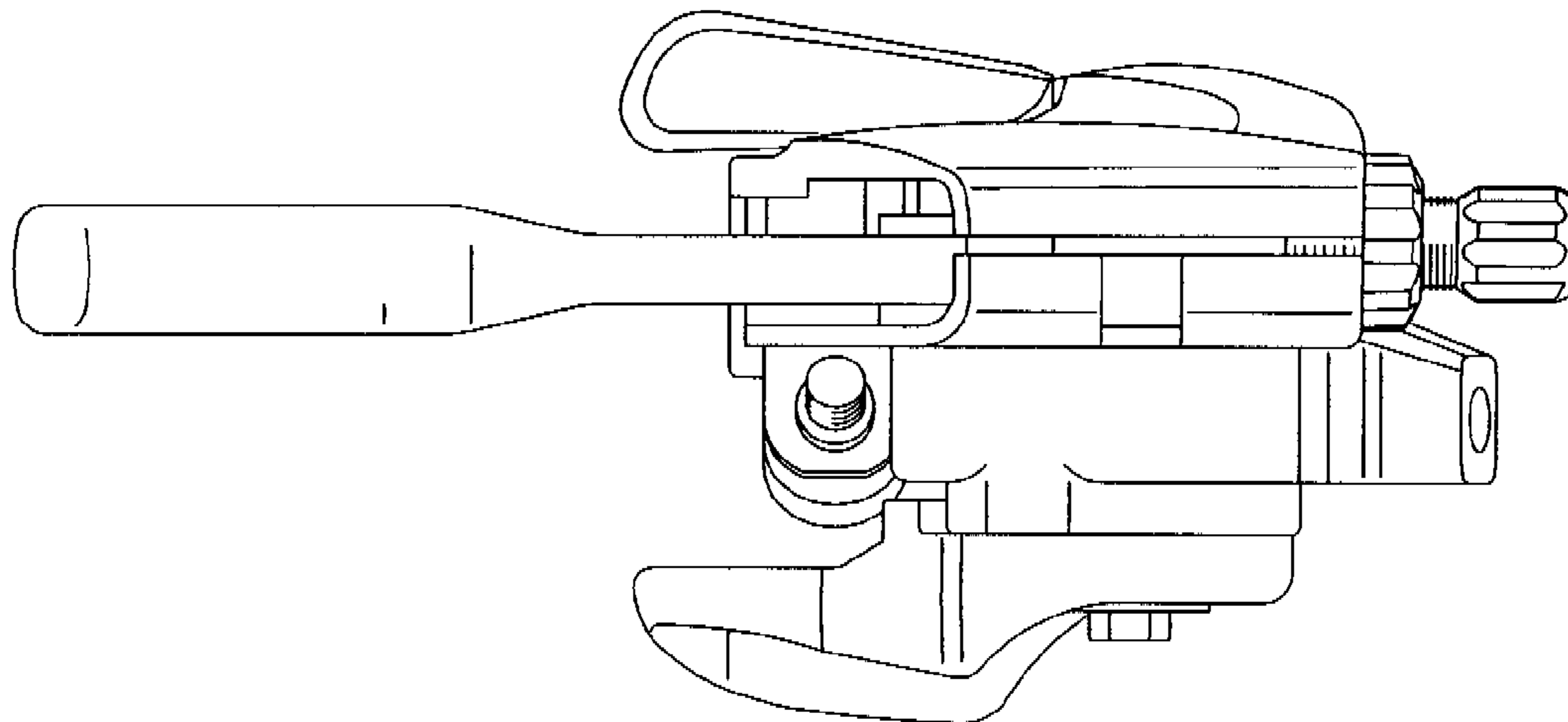


FIG. 5

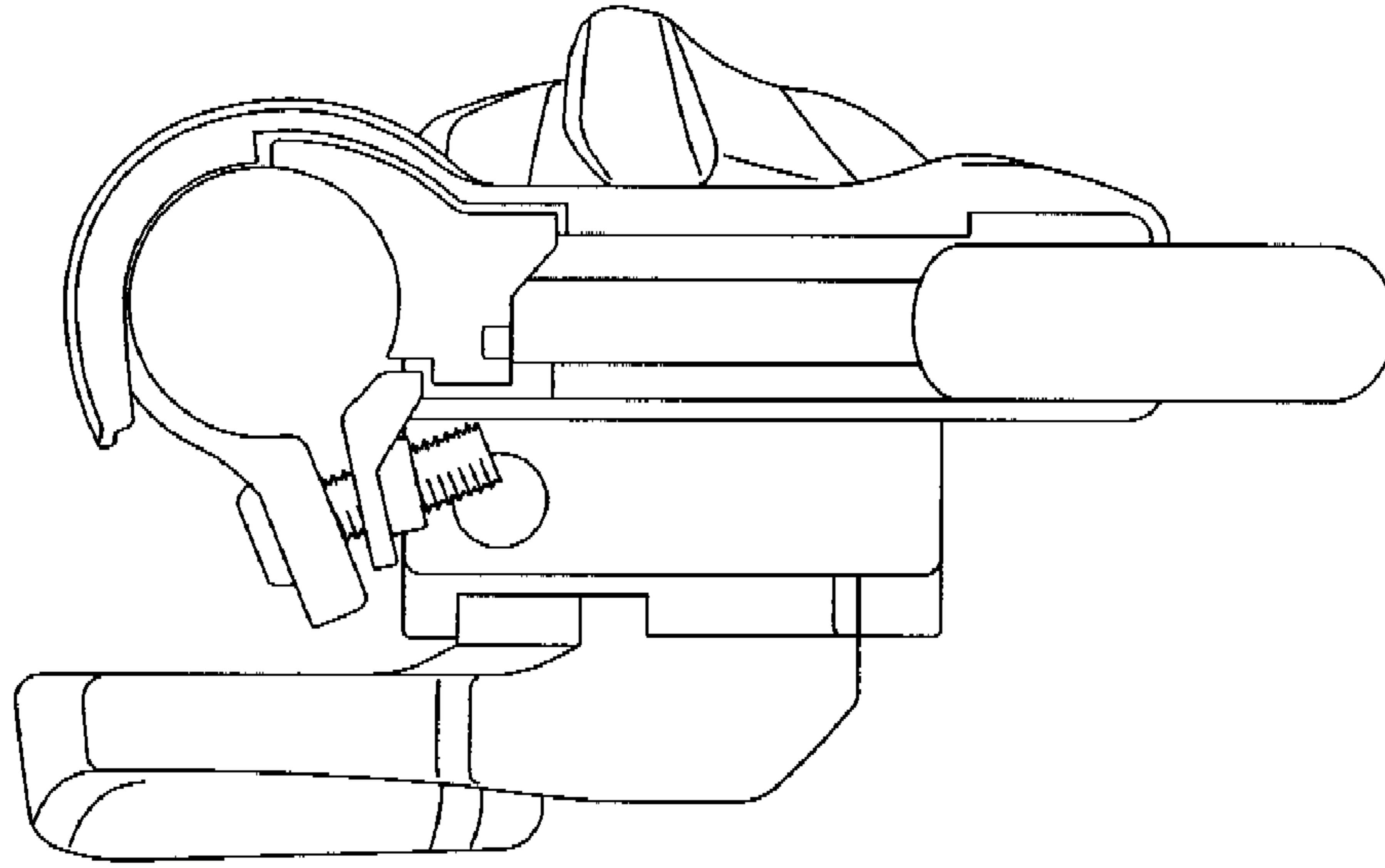


FIG. 6

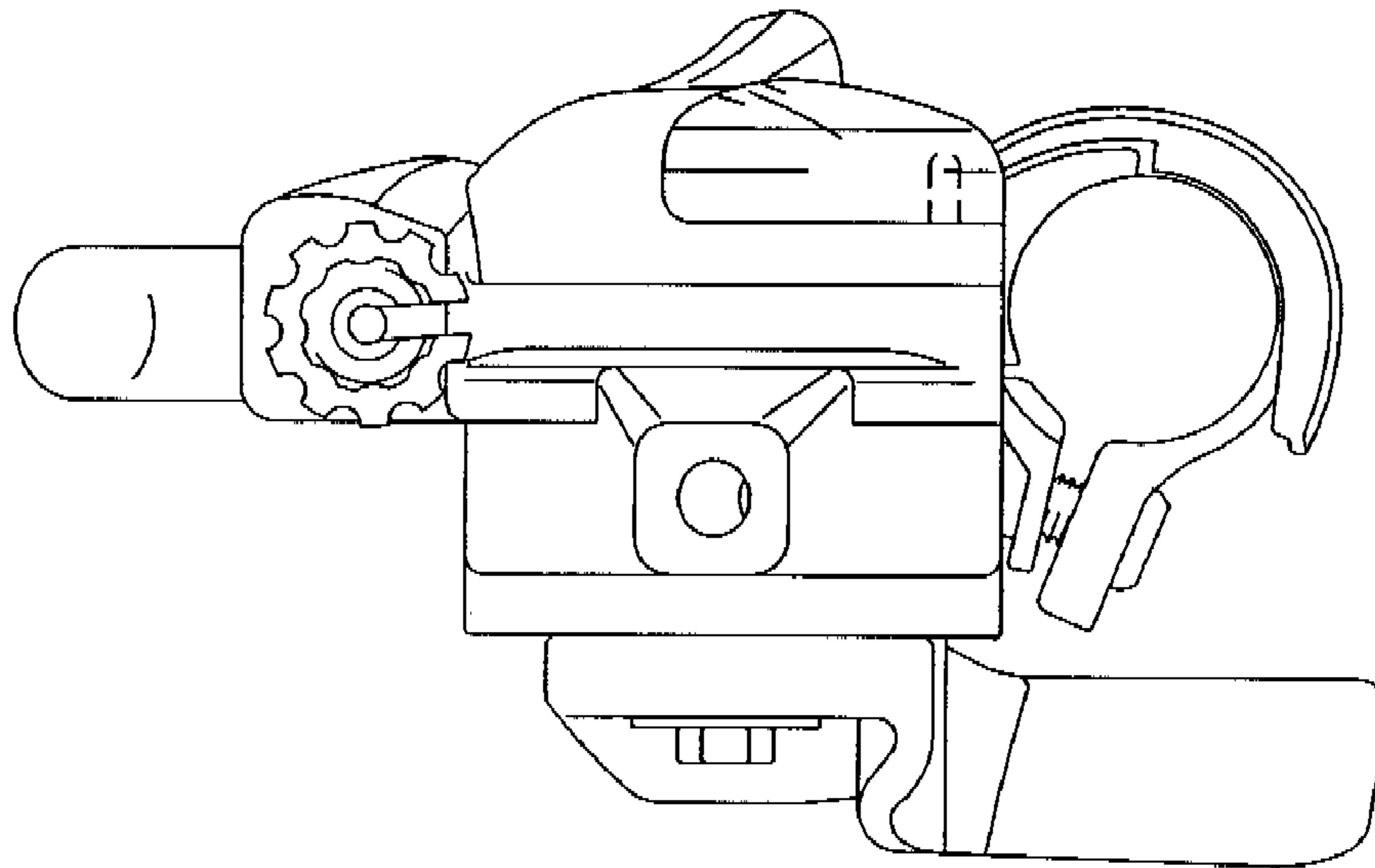


FIG. 7