



US00D561074S

(12) **United States Design Patent**
Montijo et al.

(10) **Patent No.:** **US D561,074 S**

(45) **Date of Patent:** **** Feb. 5, 2008**

(54) **PORTION OF A STEERING WHEEL**

(75) Inventors: **Fernando Montijo**, Aliso Viejo, CA (US); **Simon Yu**, Los Angeles, CA (US)

(73) Assignee: **Honda Motor Co., Ltd.**, Tokyo (JP)

(**) Term: **14 Years**

(21) Appl. No.: **29/245,498**

(22) Filed: **Dec. 27, 2005**

(51) **LOC (8) Cl.** **12-16**

(52) **U.S. Cl.** **D12/176; D14/218**

(58) **Field of Classification Search** D12/175-177;
D14/218, 299, 137-139, 191-193; D21/512-517,
D21/566; 74/552, 558, 558.5

See application file for complete search history.

(56) **References Cited**

U.S. PATENT DOCUMENTS

- D411,495 S * 6/1999 Itshakov D12/177
- D415,082 S * 10/1999 Itshakov D12/177
- D436,068 S * 1/2001 Stevens D12/176
- D475,334 S * 6/2003 Peng D12/177

- D482,992 S * 12/2003 Hattori et al. D12/184
- D490,757 S * 6/2004 Peng D12/177
- D506,957 S * 7/2005 Huang D12/177

* cited by examiner

Primary Examiner—Melody N. Brown

(74) *Attorney, Agent, or Firm*—Plumsea Law Group, LLC

(57) **CLAIM**

The ornamental design for a portion of a steering wheel, as shown and described.

DESCRIPTION

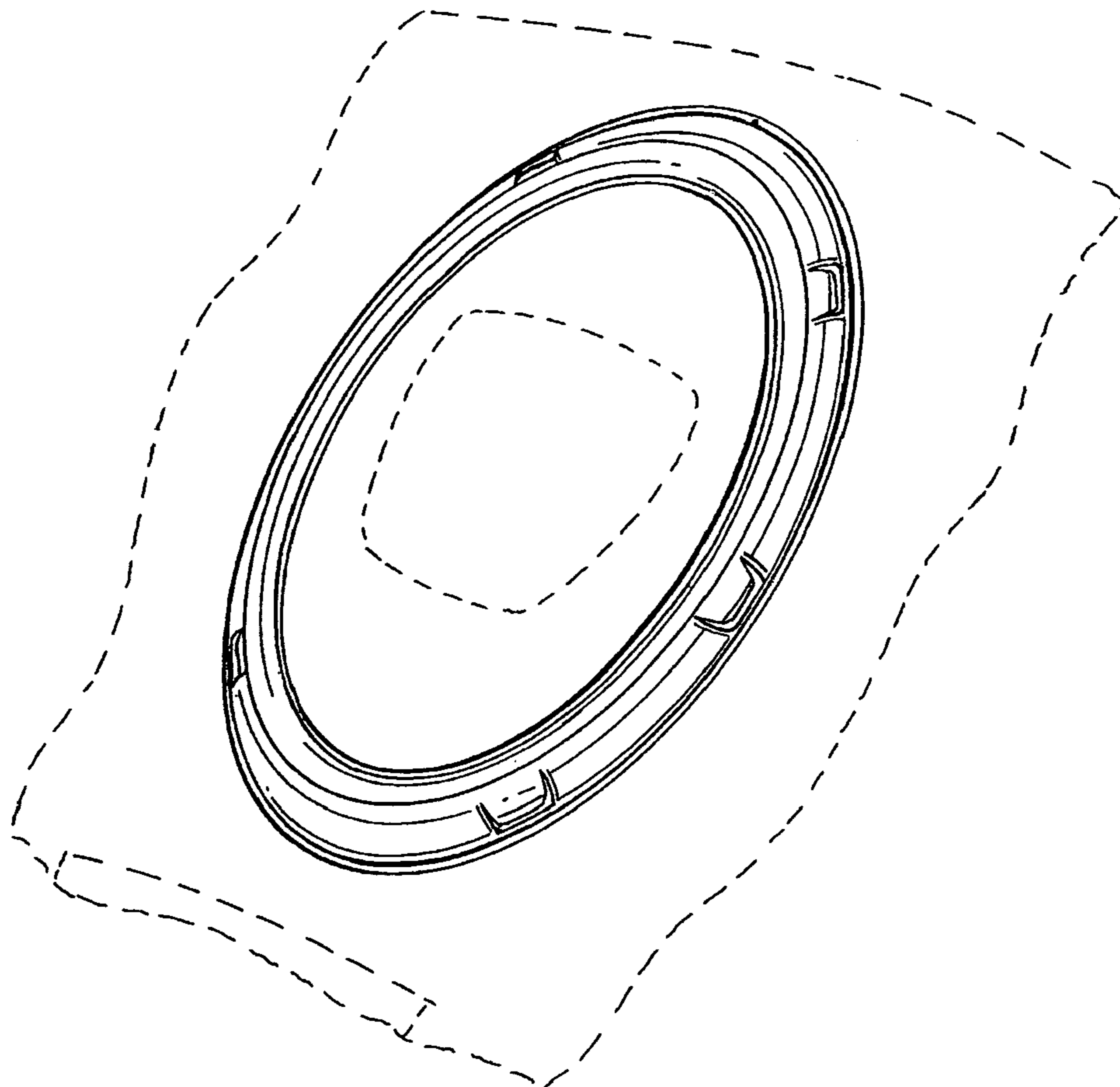
FIG. 1 is a perspective view of a portion of a steering wheel showing our new design;

FIG. 2 is a front elevational view thereof; and,

FIG. 3 is a perspective view thereof shown attached to the entire steering wheel environment.

The broken line showings of the trapezoid in the center, and the remainder of the steering wheel in all of the figures are for illustrative purposes only and form no part of the claimed design.

1 Claim, 3 Drawing Sheets



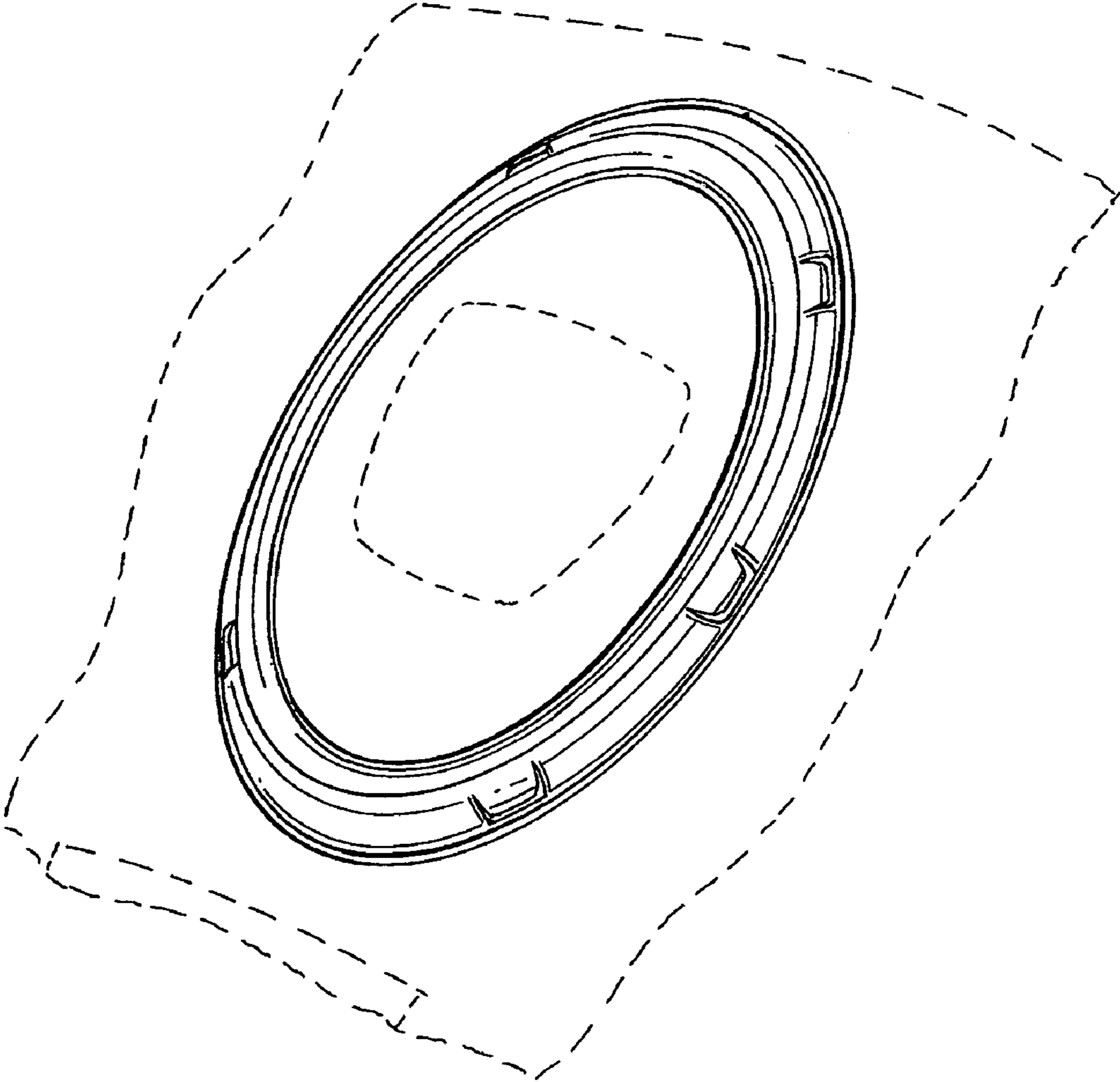


FIG. 1

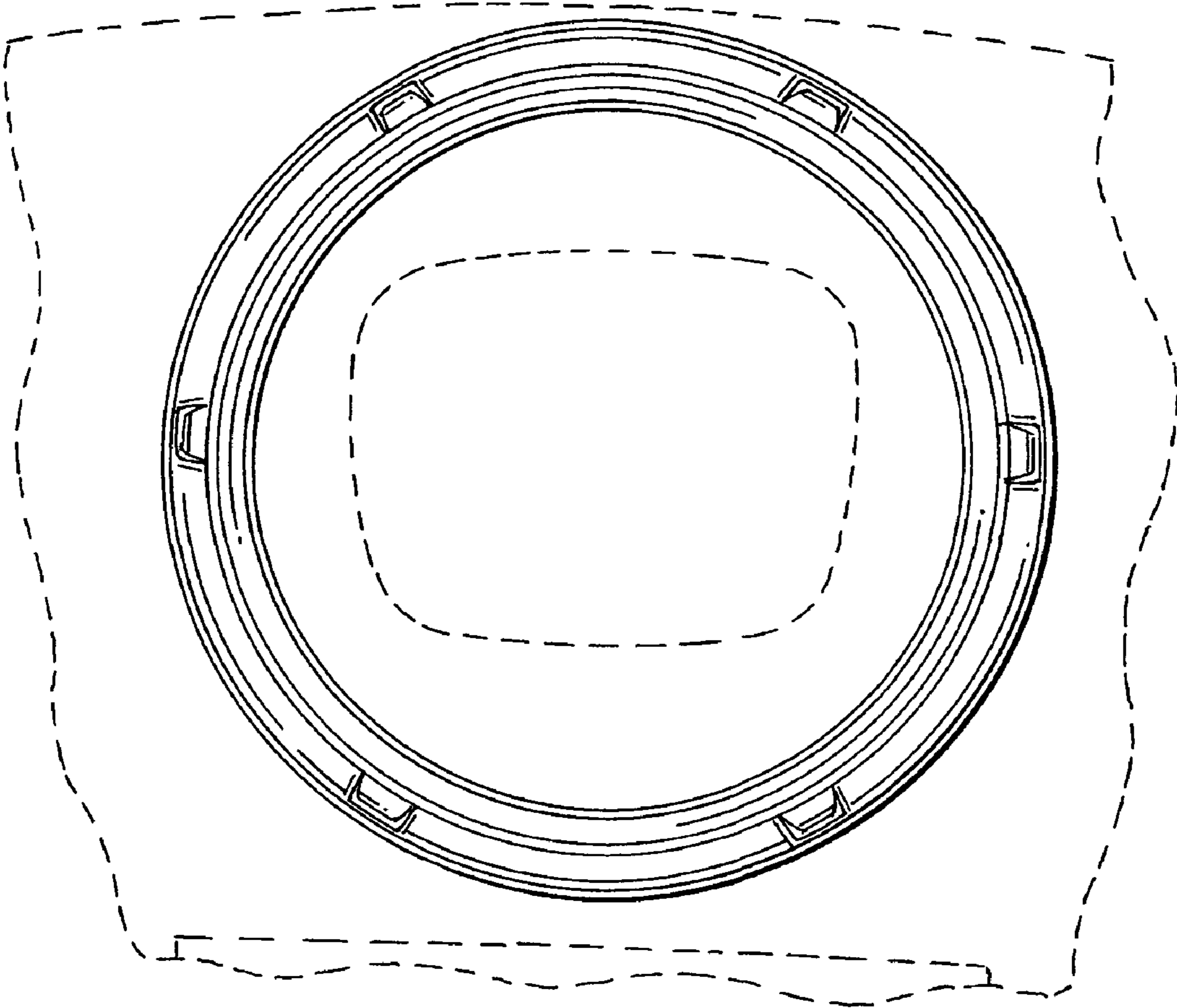


FIG. 2

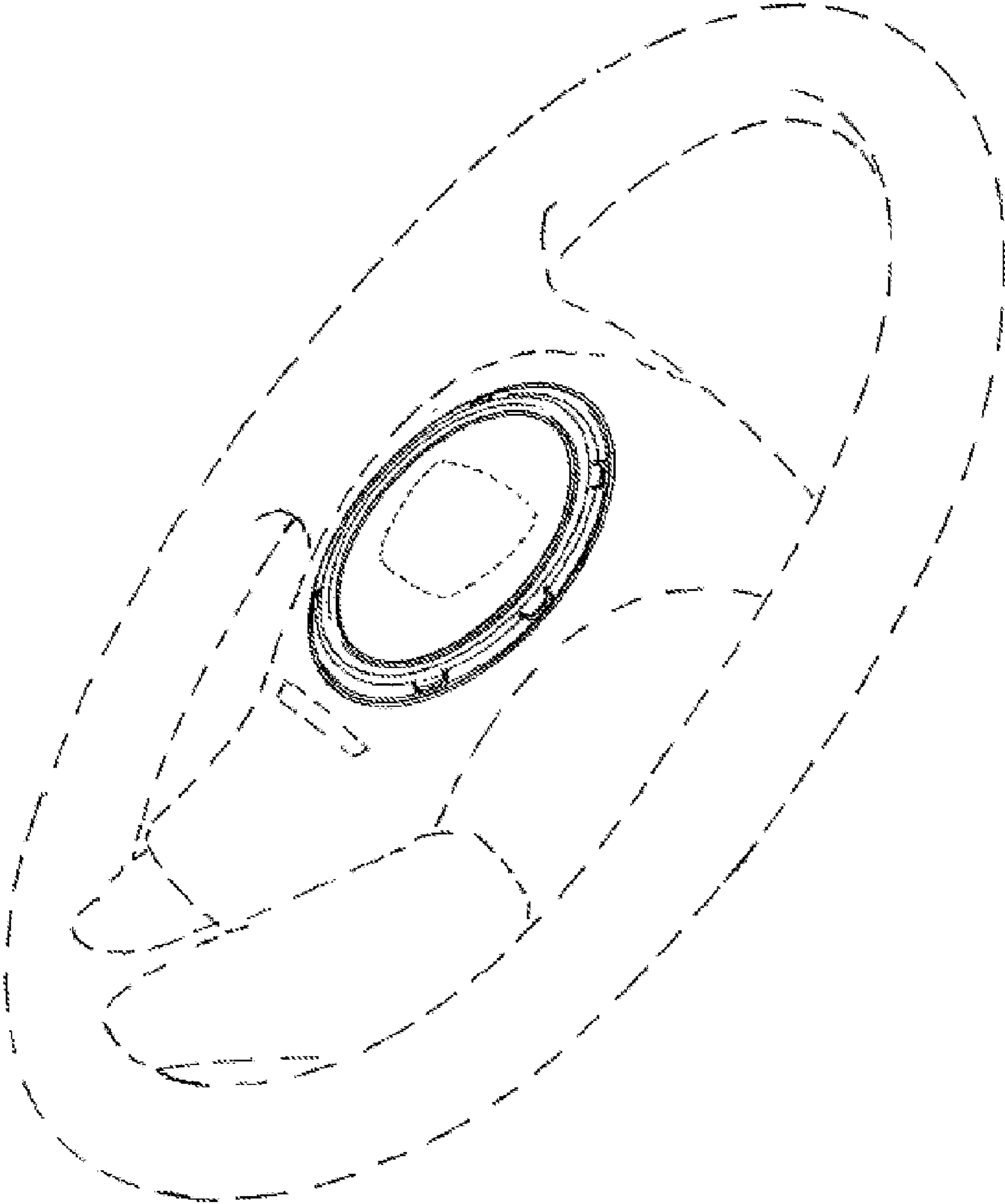


FIG. 3