

US00D561069S

(12) **United States Design Patent**
Tabata et al.

(10) **Patent No.:** **US D561,069 S**
(45) **Date of Patent:** **** Feb. 5, 2008**

(54) **BUMPER OF MOTOR VEHICLE**

JP 1230558 2/2005

(75) Inventors: **Kouji Tabata**, Hiroshima (JP); **Hiroshi Takezawa**, Hiroshima (JP); **Mamoru Mizuguchi**, Hiroshima (JP)

* cited by examiner

Primary Examiner—Melody N. Brown
(74) *Attorney, Agent, or Firm*—Nixon Peabody LLP;
Donald R. Studebaker

(73) Assignee: **Mazda Motor Corporation**, Hiroshima (JP)

(57) **CLAIM**

(**) Term: **14 Years**

The ornamental design for a bumper of motor vehicle, as shown and described.

(21) Appl. No.: **29/237,305**

(22) Filed: **Aug. 30, 2005**

DESCRIPTION

(51) **LOC (8) Cl.** **12-16**

FIG. 1 is a front perspective view of a bumper of motor vehicle;

(52) **U.S. Cl.** **D12/169**

FIG. 2 is a front view thereof;

(58) **Field of Classification Search** D12/90–92,
D12/86, 169, 196, 163; 296/180.1, 180.2;
293/102, 113, 115, 117, 120

FIG. 3 is a right side view thereof;

FIG. 4 is a left side view thereof;

See application file for complete search history.

FIG. 5 is a top view thereof; and,

FIG. 6 is a bottom view thereof.

(56) **References Cited**

U.S. PATENT DOCUMENTS

The drawings are created using computer graphics software which software inherently provides for a lightly colored hue to the otherwise black and white drawings.

D495,630 S * 9/2004 Pfeiffer et al. D12/169

The broken lines shown in FIGS. 1, 4, and 5 are for illustrative purpose only and form no part of the claimed design.

D502,900 S * 3/2005 Ikuma D12/169

D504,091 S * 4/2005 Ishibashi et al. D12/169

D511,725 S * 11/2005 Nagashima D12/169

FOREIGN PATENT DOCUMENTS

JP 1216949 9/2004

1 Claim, 3 Drawing Sheets

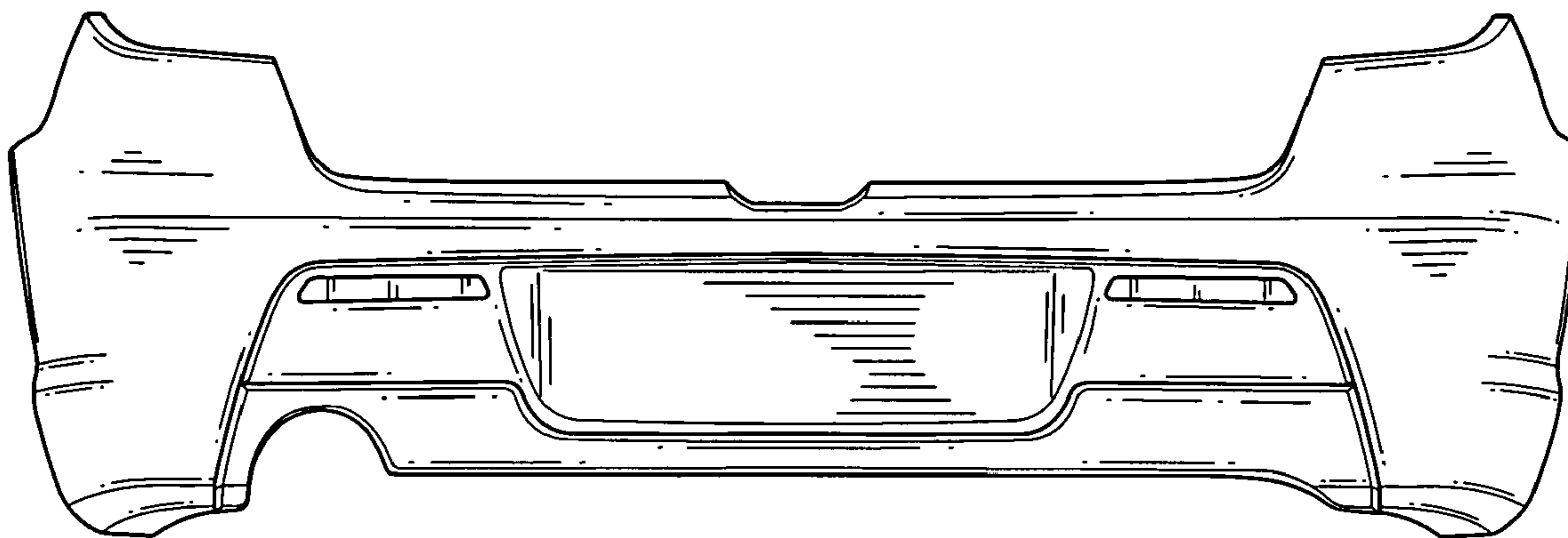


Fig.1

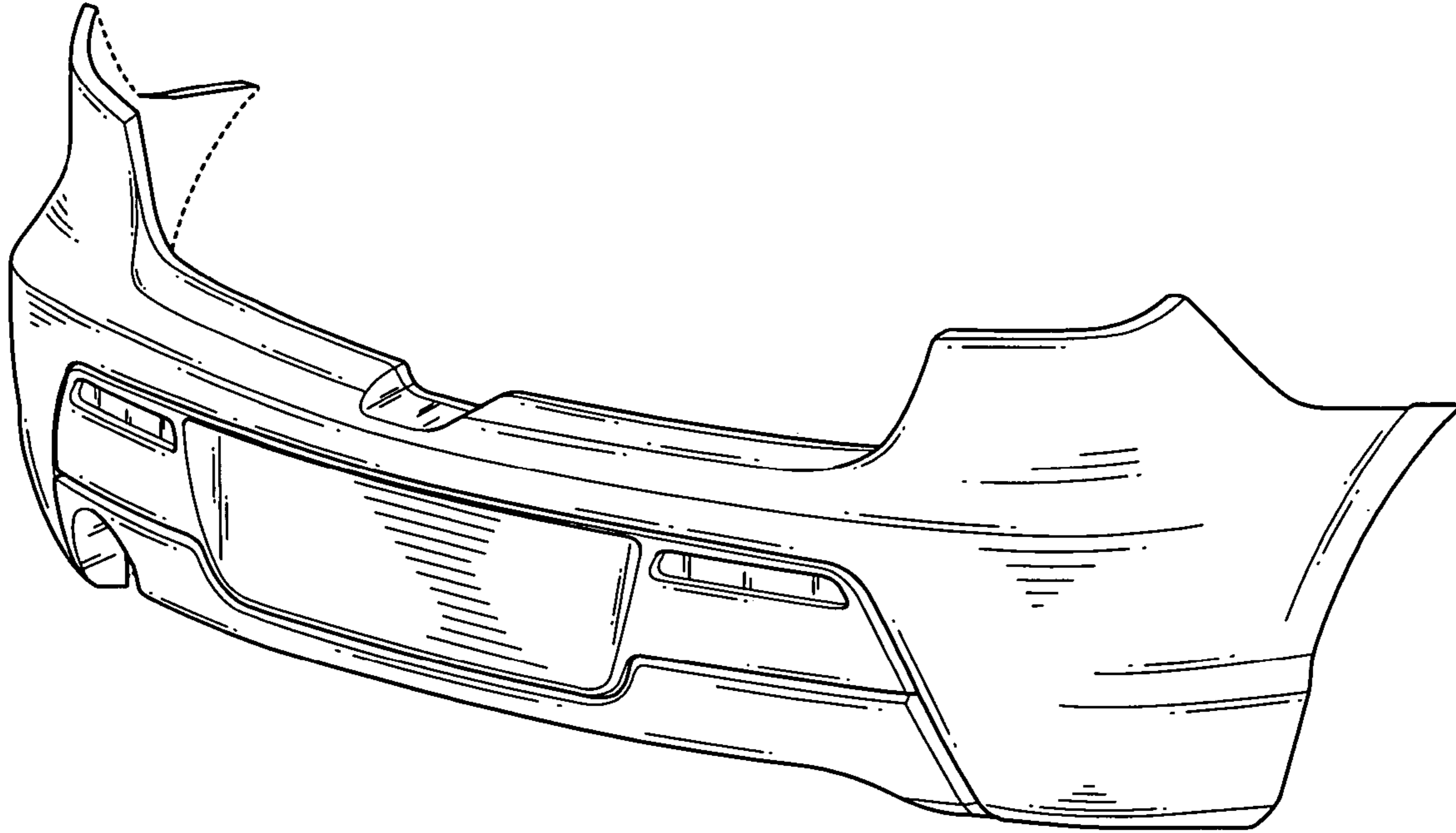


Fig.2

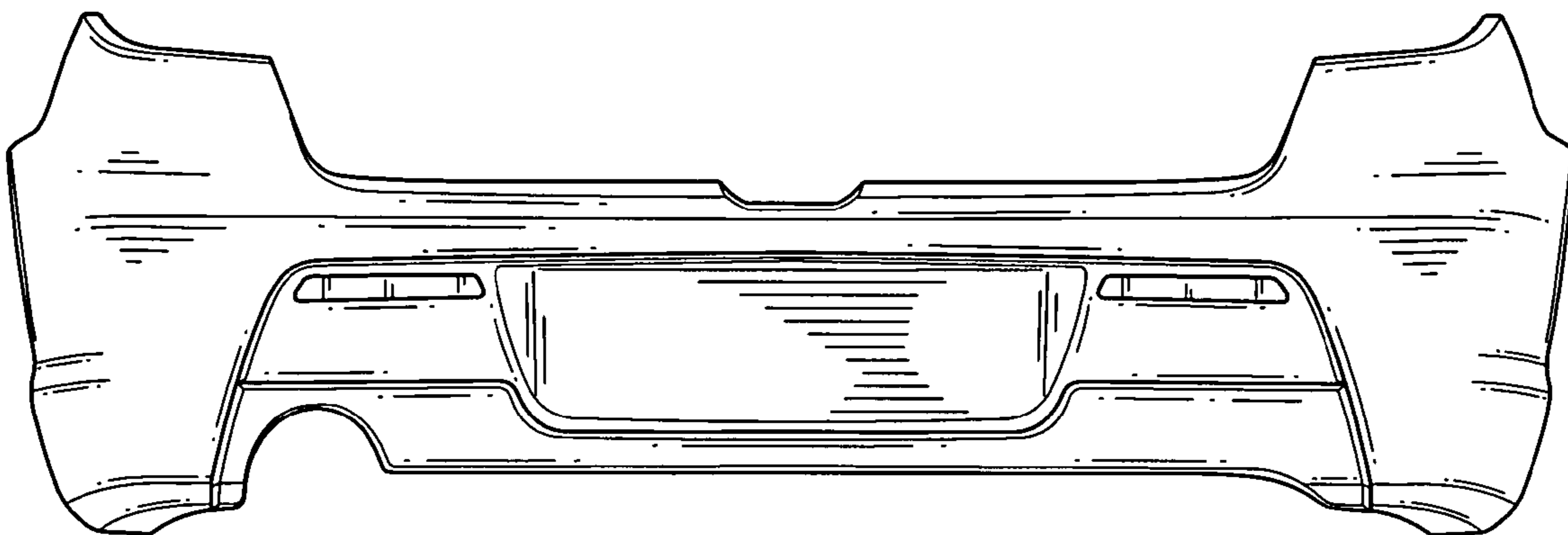


Fig.3

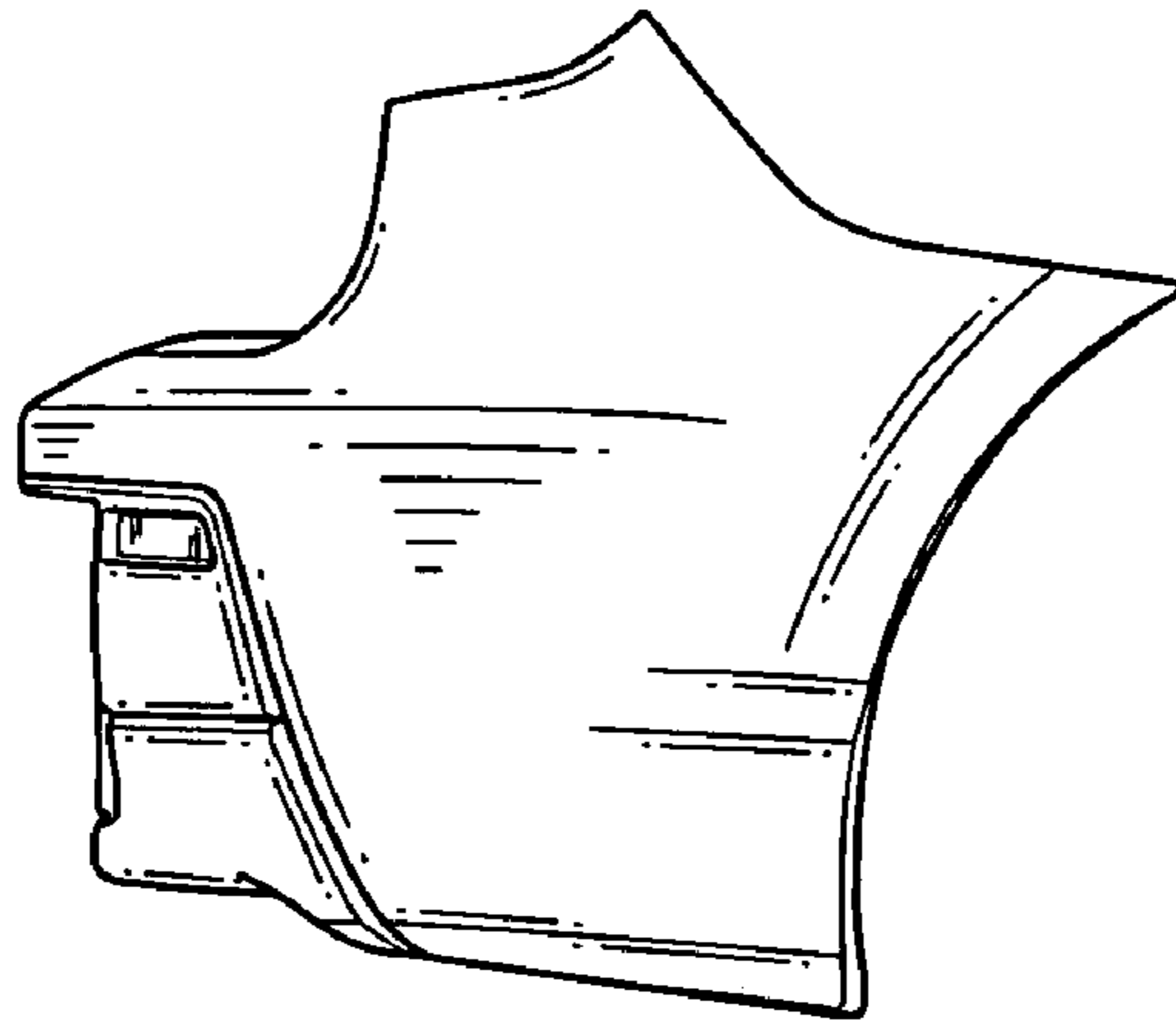


Fig.4

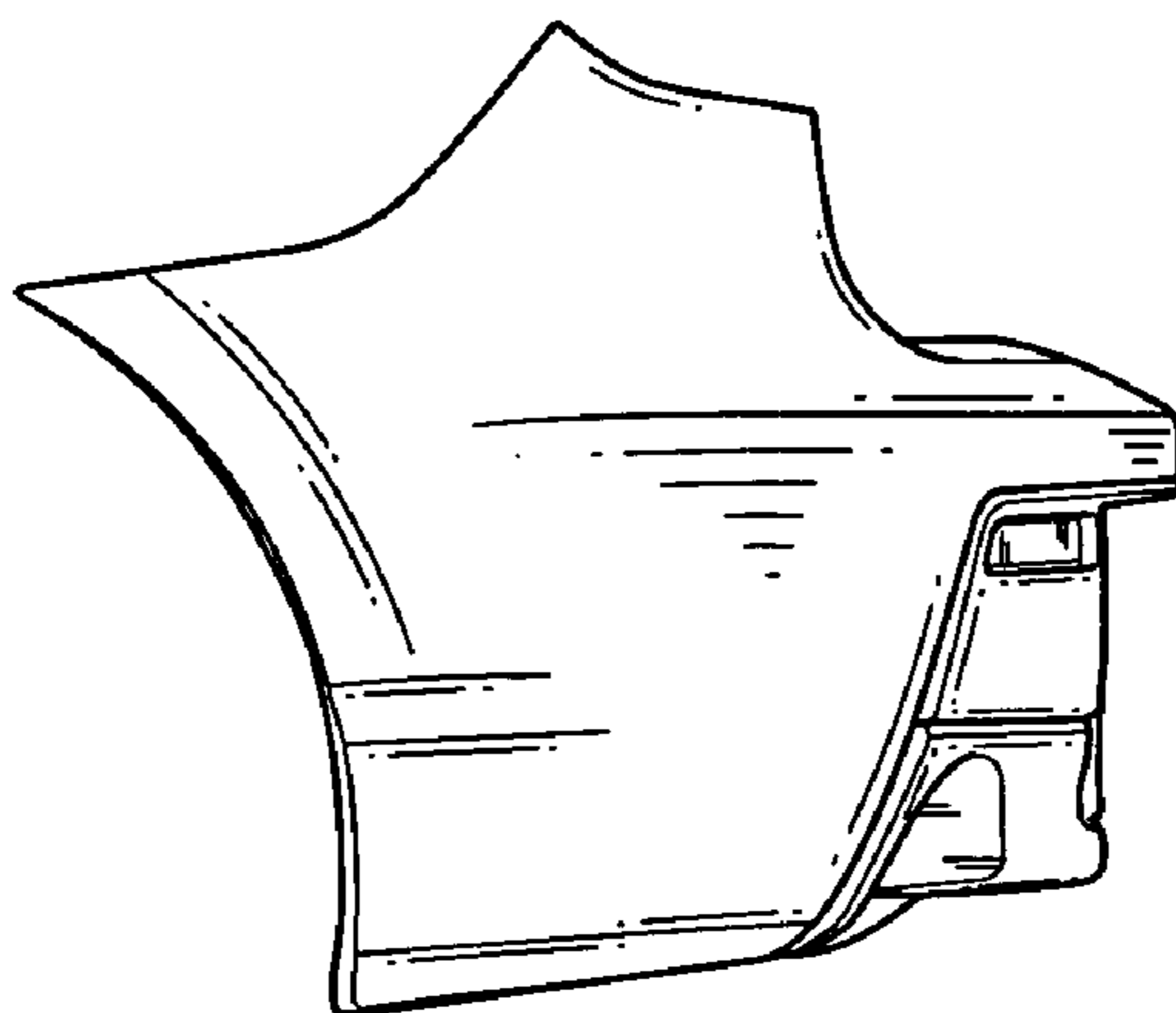


Fig.5

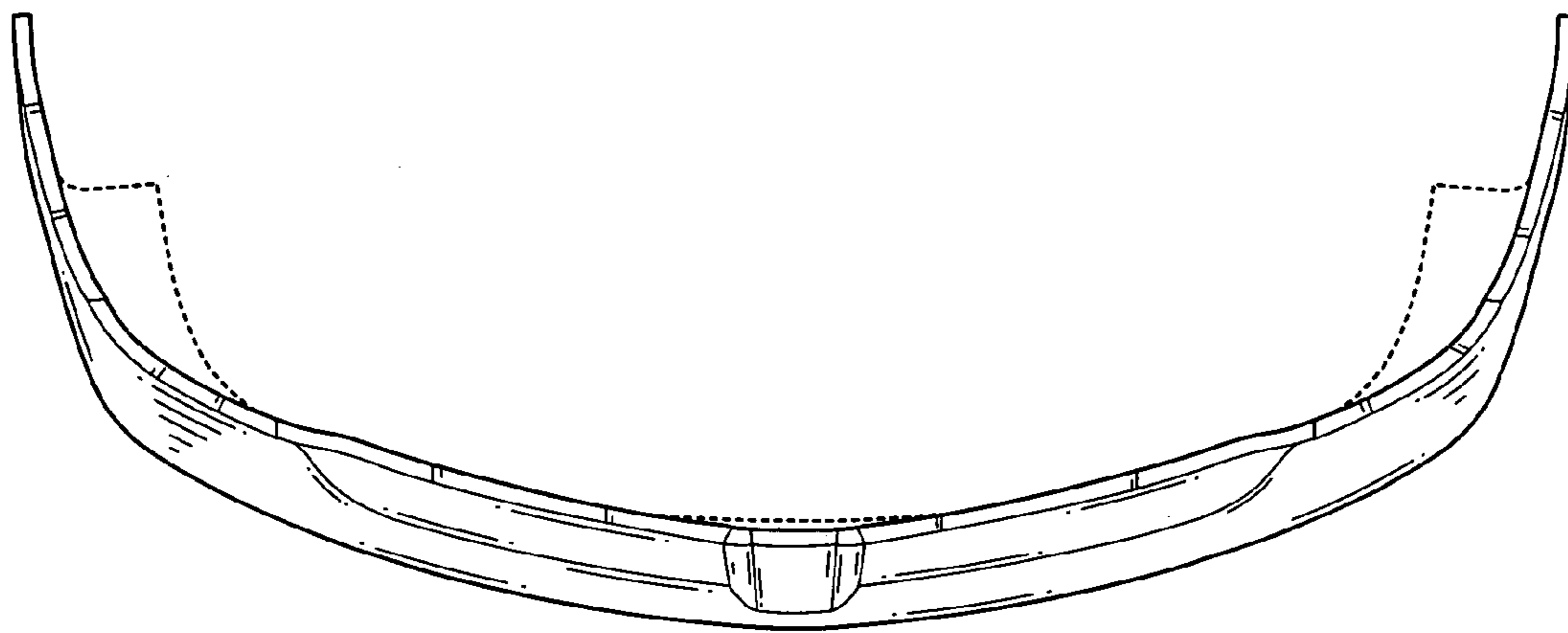


Fig.6

