

US00D561068S

(12) **United States Design Patent** (10) **Patent No.:** **US D561,068 S**
Golden et al. (45) **Date of Patent:** **** Feb. 5, 2008**

(54) **VEHICLE GRILLE**

(75) Inventors: **Edward Golden**, Pinckney, MI (US);
George Bucher, Dearborn, MI (US);
David Mahoney, Orchard Lake, MI (US);
Michael Webb, Harrison Township, MI (US)

(73) Assignee: **Ford Global Technologies, LLC**,
Dearborn, MI (US)

(**) Term: **14 Years**

(21) Appl. No.: **29/250,325**

(22) Filed: **Nov. 10, 2006**

(51) **LOC (8) Cl.** **12-16**

(52) **U.S. Cl.** **D12/163**

(58) **Field of Classification Search** D12/163,
D12/171, 90-92, 216, 169, 196; 180/68.1,
180/68.6; 296/193.11; 293/102, 113, 115
See application file for complete search history.

(56) **References Cited**

U.S. PATENT DOCUMENTS

D397,065 S *	8/1998	Uematsu et al.	D12/91
D417,425 S *	12/1999	Shimazu	D12/196
D422,546 S *	4/2000	Toyoda	D12/196
D422,547 S *	4/2000	Kitamura	D12/196
D520,927 S *	5/2006	Fisker et al.	D12/196
D539,708 S *	4/2007	Richards et al.	D12/163
D540,720 S *	4/2007	Golden et al.	D12/163

OTHER PUBLICATIONS

Winding Road for Drivers, Oct. 2006 <http://news.windingroad.com/auto-news/ford-still-says-this-car-doesnt-exist-2009-mercury-monticello-spied/>.
Ford Freestyle Limited, Chicago 2004 (14 views).

* cited by examiner

Primary Examiner—Melody N. Brown
(74) *Attorney, Agent, or Firm*—Damian Porcari

(57) **CLAIM**

The ornamental design for a vehicle grille, as shown and described.

DESCRIPTION

FIG. 1 is a front elevational view of a vehicle grille showing our new design;

FIG. 2 is an enlarged right side elevational view thereof;

FIG. 3 is an enlarged left side elevational view thereof;

FIG. 4 is a top plan view thereof;

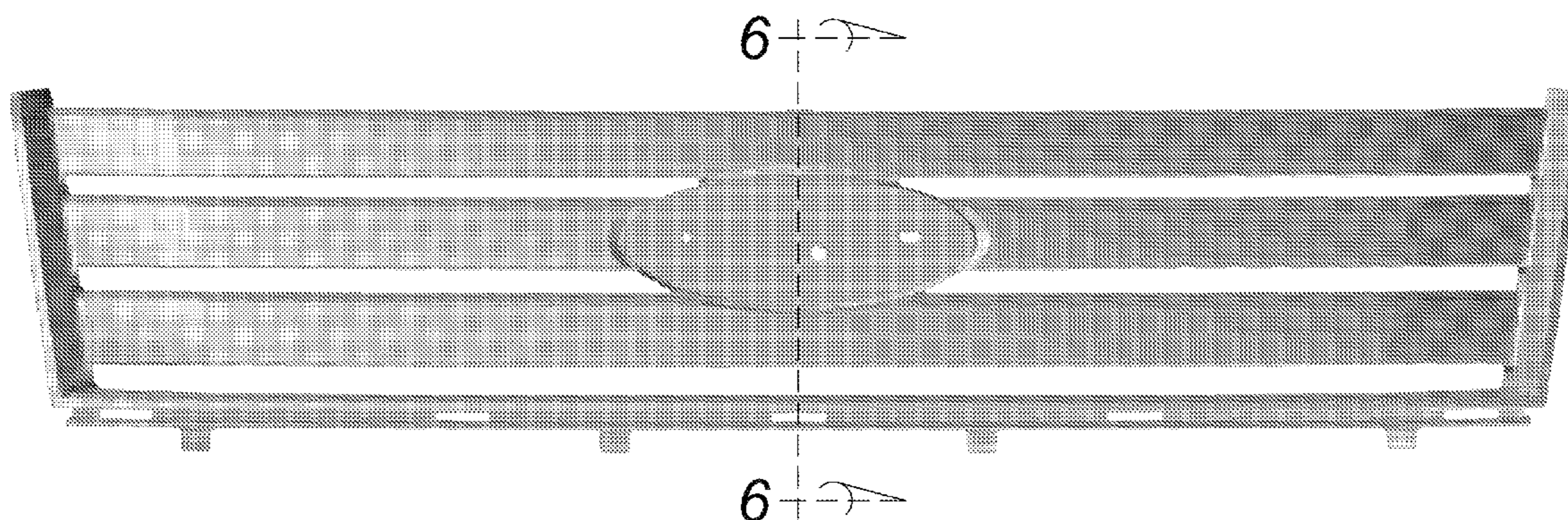
FIG. 5 is a bottom plan view thereof;

FIG. 6 is a cross sectional view taken along the line 6—6 in FIG. 1; and,

FIG. 7 is a rear elevational view thereof.

The vehicle grille is styled independently of adjacent vehicle panels. To the extent that any feature lines are illustrated, they are intended to illustrate the crest and valley of the feature and are not necessarily sharp bends in the part. Shading is used to illustrate the curvature of the part and not color. Areas shown in or sounded by broken lines are not claimed. The surface normally visible when the vehicle grille is attached to a vehicle is called the “Class A” surface is claimed. The surface not normally visible when the vehicle grille is attached to a vehicle is called the “Class B” surface and is not claimed. Any functional features of the vehicle grille are not claimed. Views are orthogonal projections unless otherwise noted. The various views are not necessarily to scale in order to better illustrate the design. The drawings were generated using Computer Aided Design tools. Highlights and shading were added to the drawings to better illustrate the three-dimensional features of the part.

1 Claim, 7 Drawing Sheets



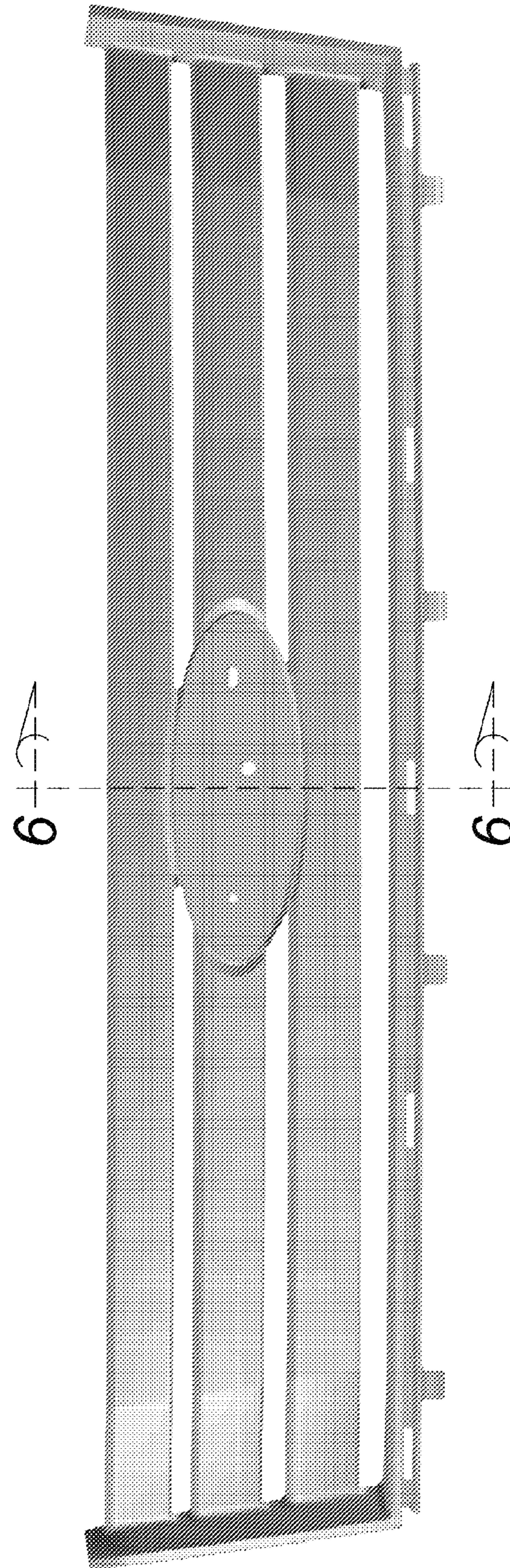


Figure 1

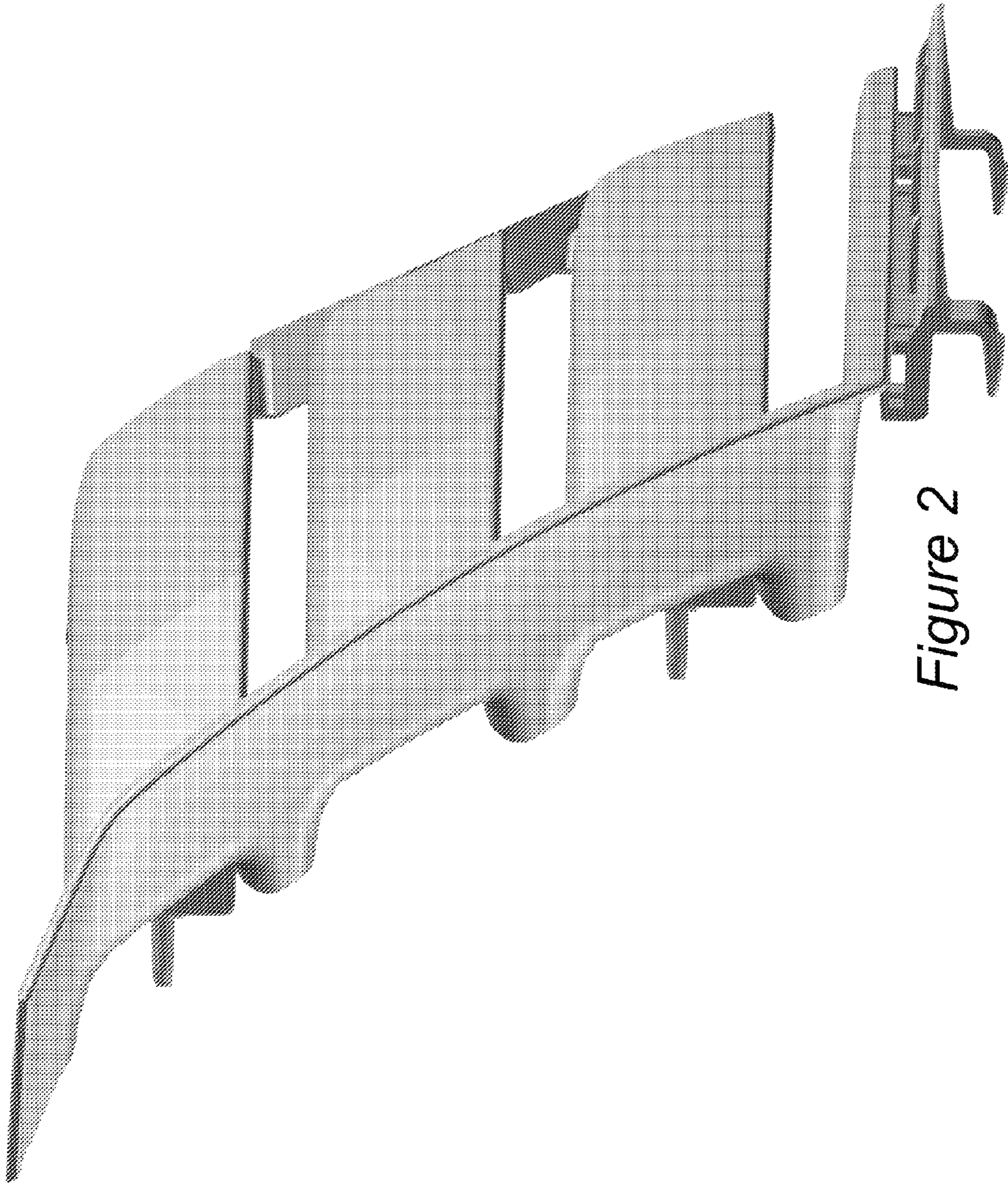


Figure 2

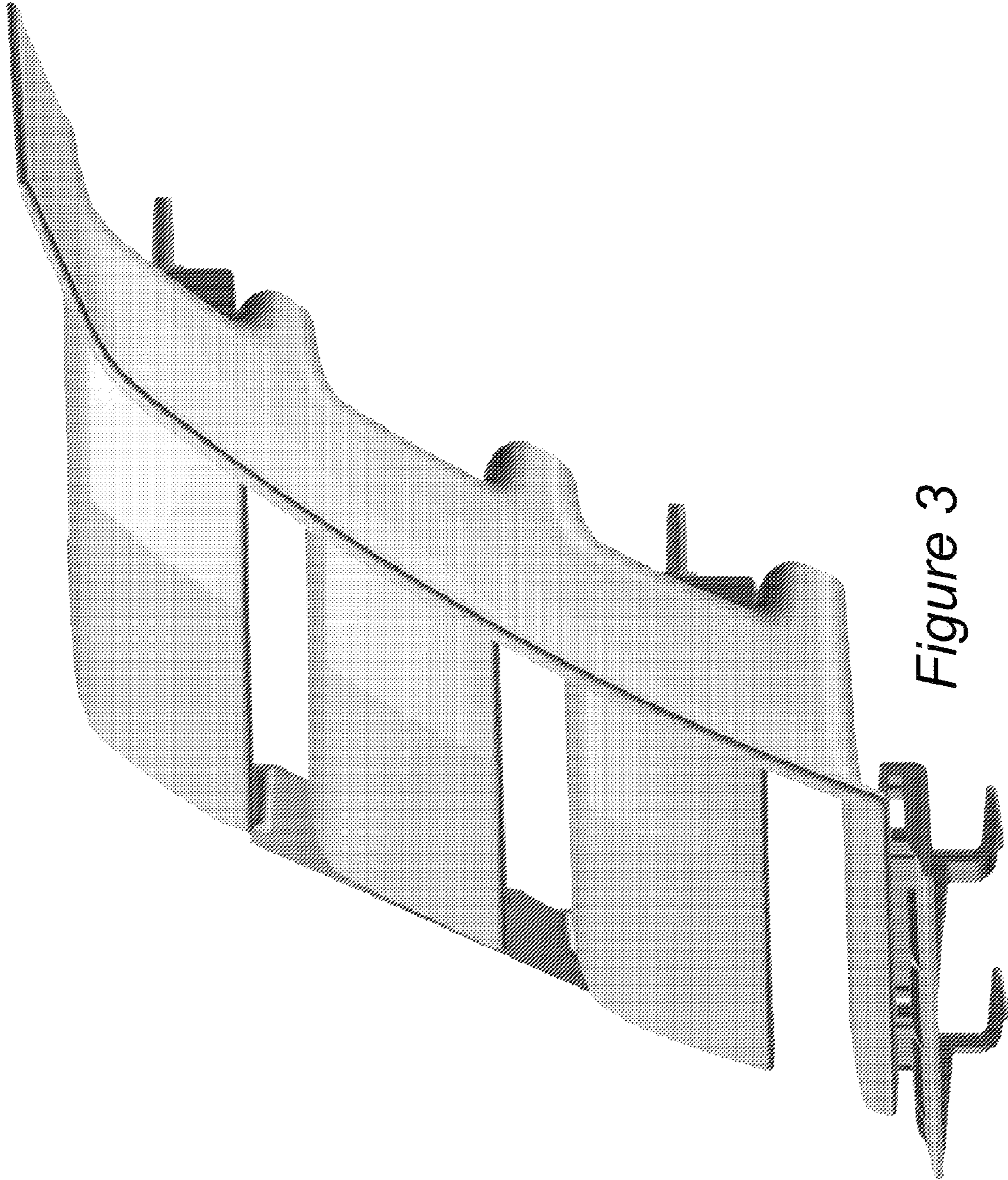


Figure 3

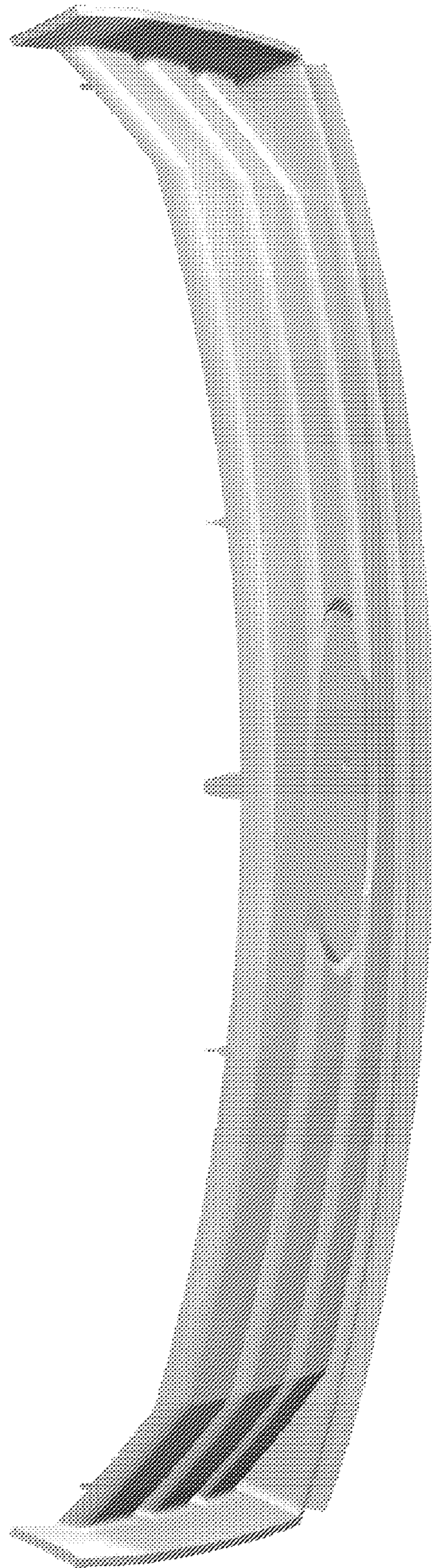


Figure 4

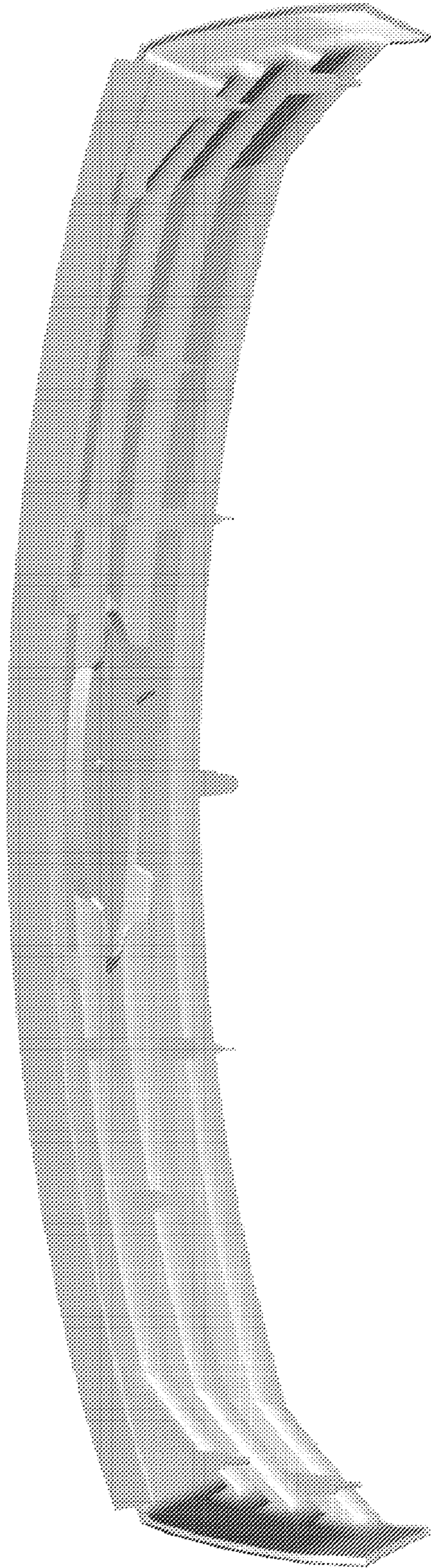


Figure 5

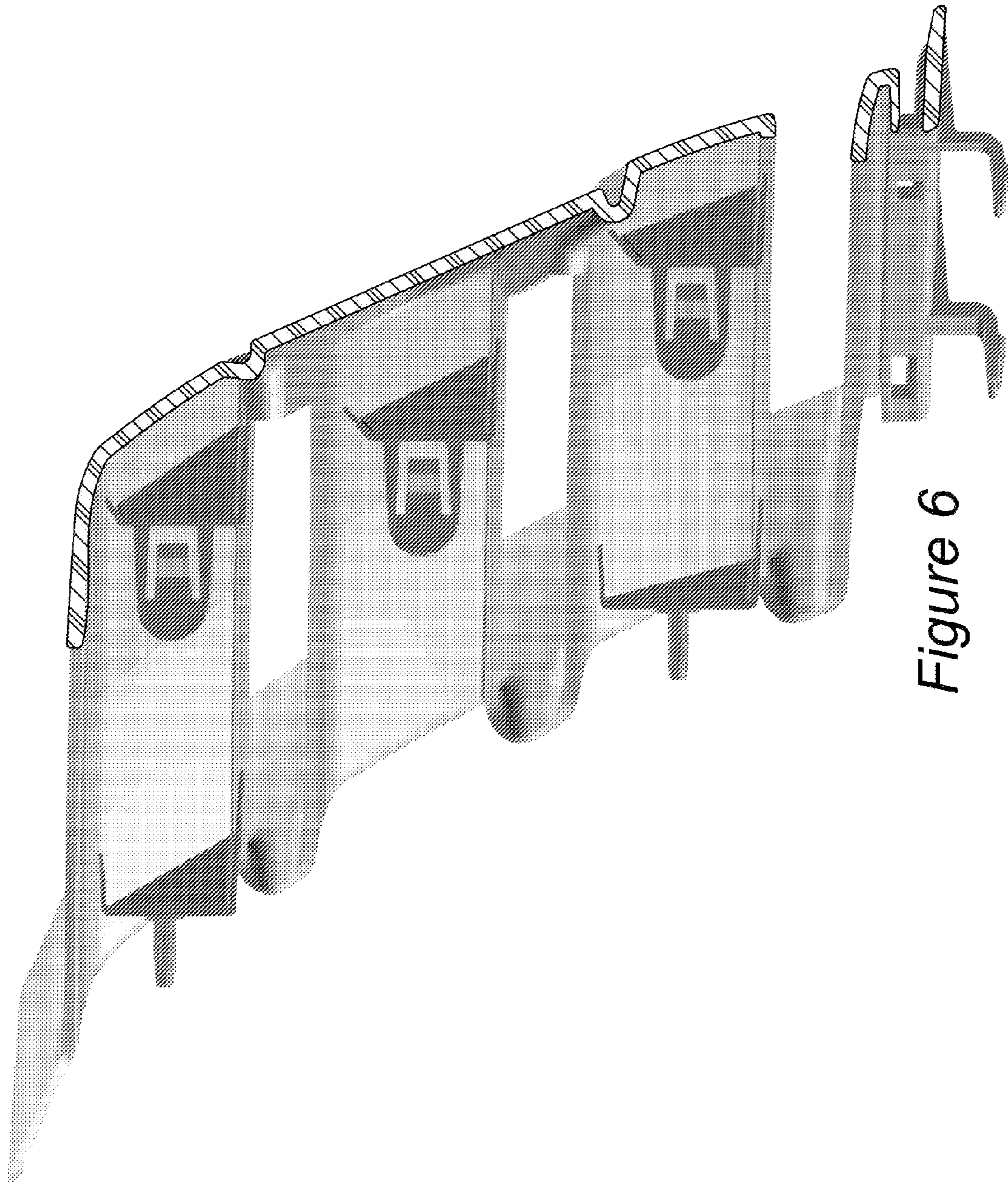


Figure 6

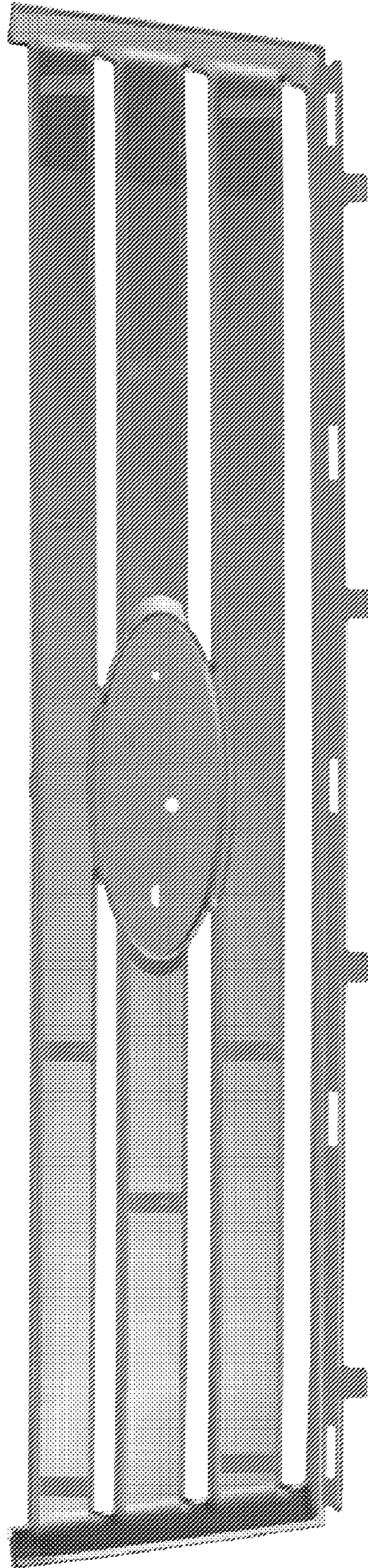


Figure 7