

US00D561061S

(12) **United States Design Patent**
Pontaoe

(10) **Patent No.:** **US D561,061 S**

(45) **Date of Patent:** **** Feb. 5, 2008**

(54) **BUCKLE MEMBER**

(75) Inventor: **John S. Pontaoe**, Chicago, IL (US)

(73) Assignee: **Illinois Tool Works Inc.**, Glenview, IL (US)

(**) Term: **14 Years**

(21) Appl. No.: **29/267,241**

(22) Filed: **Oct. 10, 2006**

(51) **LOC (8) Cl.** **02-07**

(52) **U.S. Cl.** **D11/218**

(58) **Field of Classification Search** D11/200-201,
D11/206-210, 214-216, 218; 24/163 R,
24/169-171, 173, 177-179, 191, 194, 195,
24/200, 197

See application file for complete search history.

(56) **References Cited**

U.S. PATENT DOCUMENTS

D275,716 S * 10/1984 Kanzaka D11/218
D340,122 S * 10/1993 Wakabayashi D11/218
D362,741 S * 10/1995 Hollinger D2/639

* cited by examiner

Primary Examiner—Ralf Seifert

(74) *Attorney, Agent, or Firm*—Mark W. Croll; Paul F. Donovan

(57) **CLAIM**

The ornamental design for a buckle member, as shown and described.

DESCRIPTION

FIG. 1 is a perspective view of my invention showing the new design;

FIG. 2 is a top view thereof;

FIG. 3 is a bottom view thereof;

FIG. 4 is a right side thereof;

FIG. 5 is a left side view thereof;

FIG. 6 is a front view thereof;

FIG. 7 is a back view thereof;

FIG. 8 is another perspective view of my invention showing the new design in combination with another, unclaimed, buckle component;

FIG. 9 is a top view thereof;

FIG. 10 is a bottom view thereof;

FIG. 11 is a right side thereof;

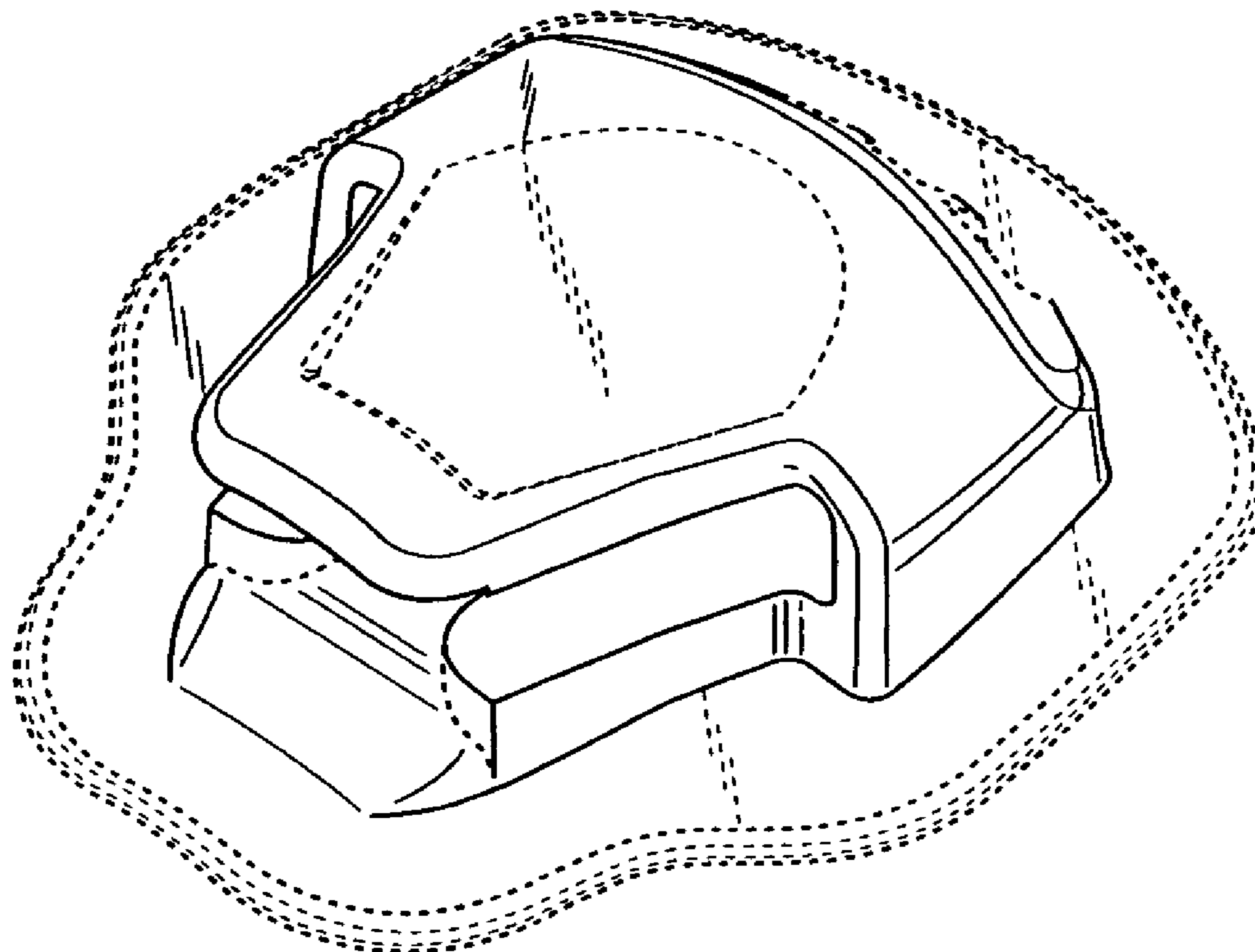
FIG. 12 is a left side view thereof;

FIG. 13 is a front view thereof; and,

FIG. 14 is a back view thereof.

The broken line portions of the disclosure are for illustrative purposes only and form no part of the claimed design.

1 Claim, 10 Drawing Sheets



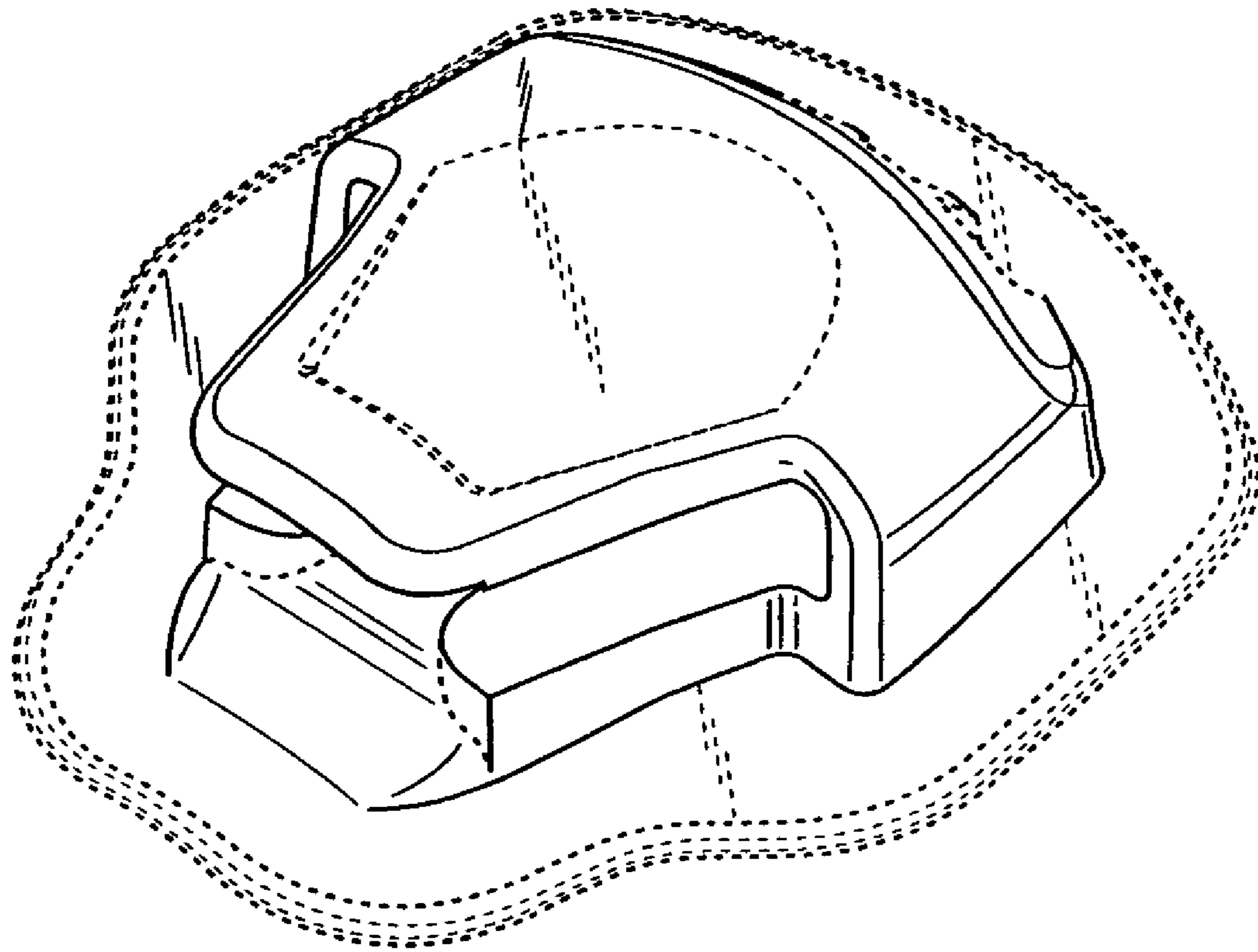


Fig. 1

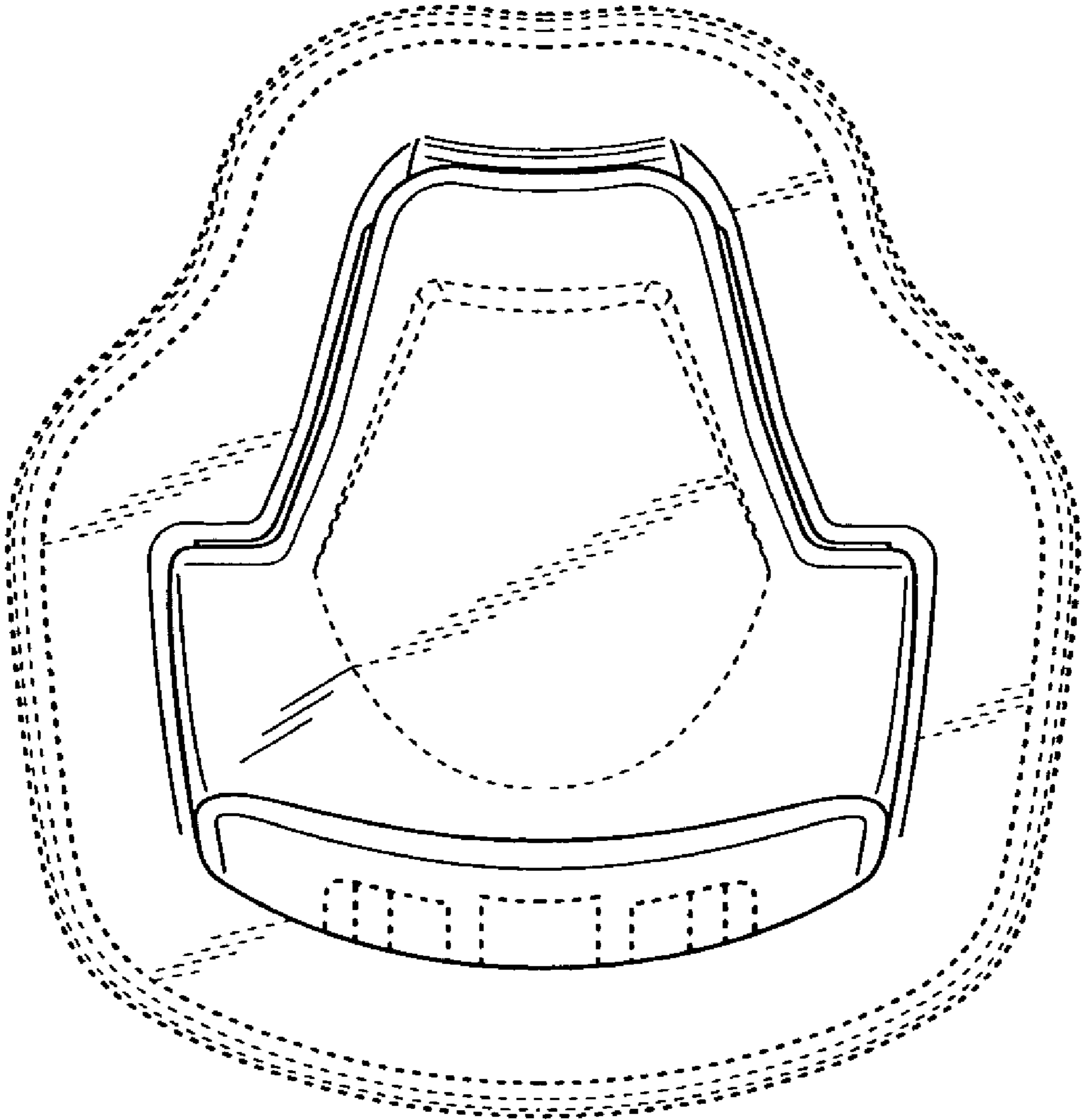


Fig. 2

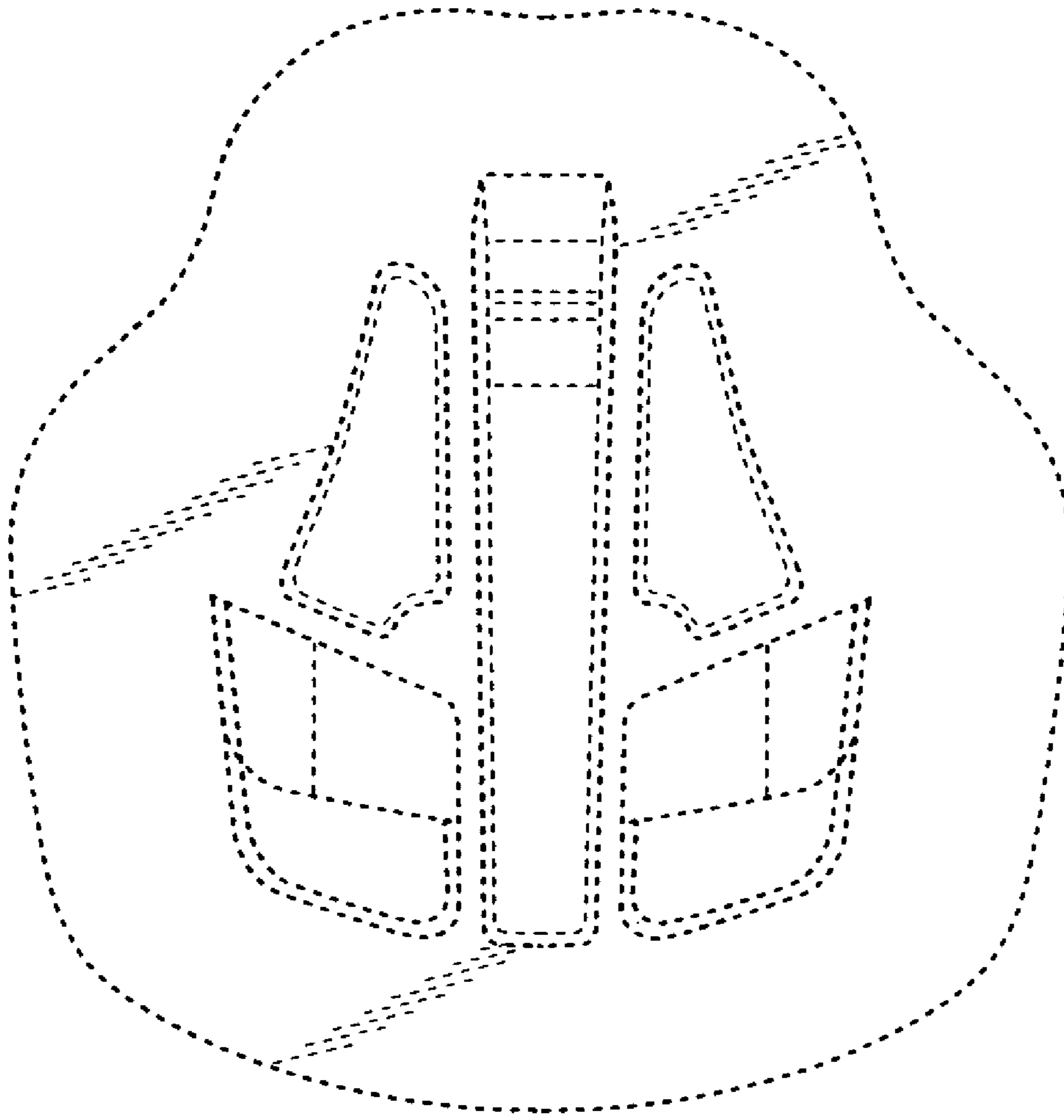


Fig. 3

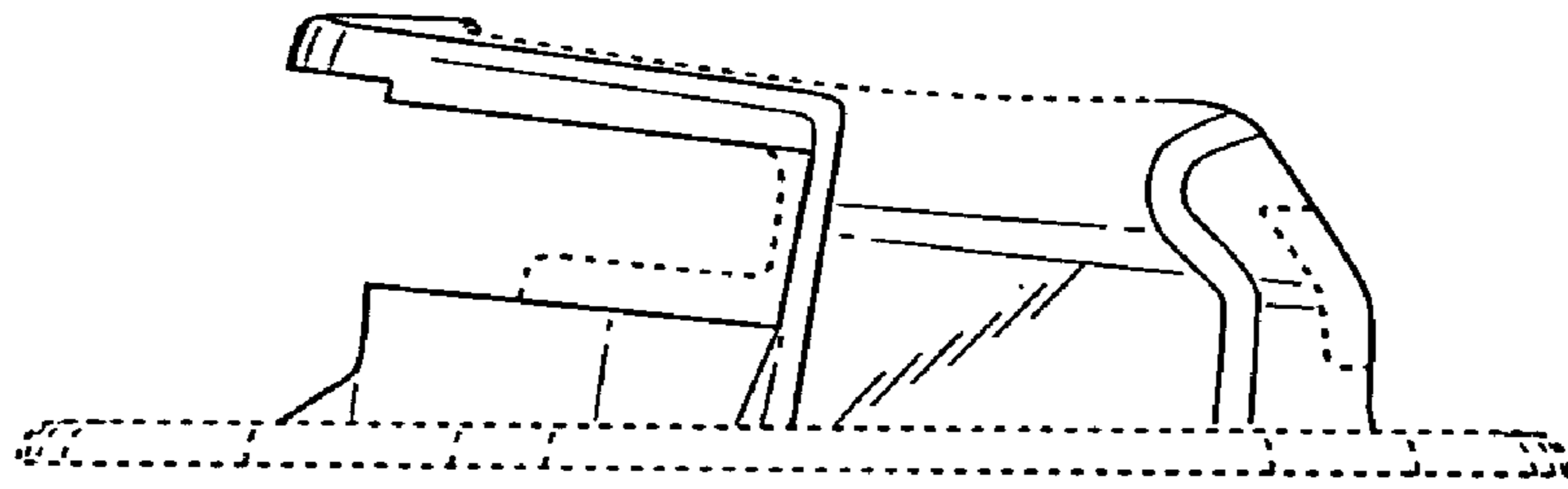


Fig. 4

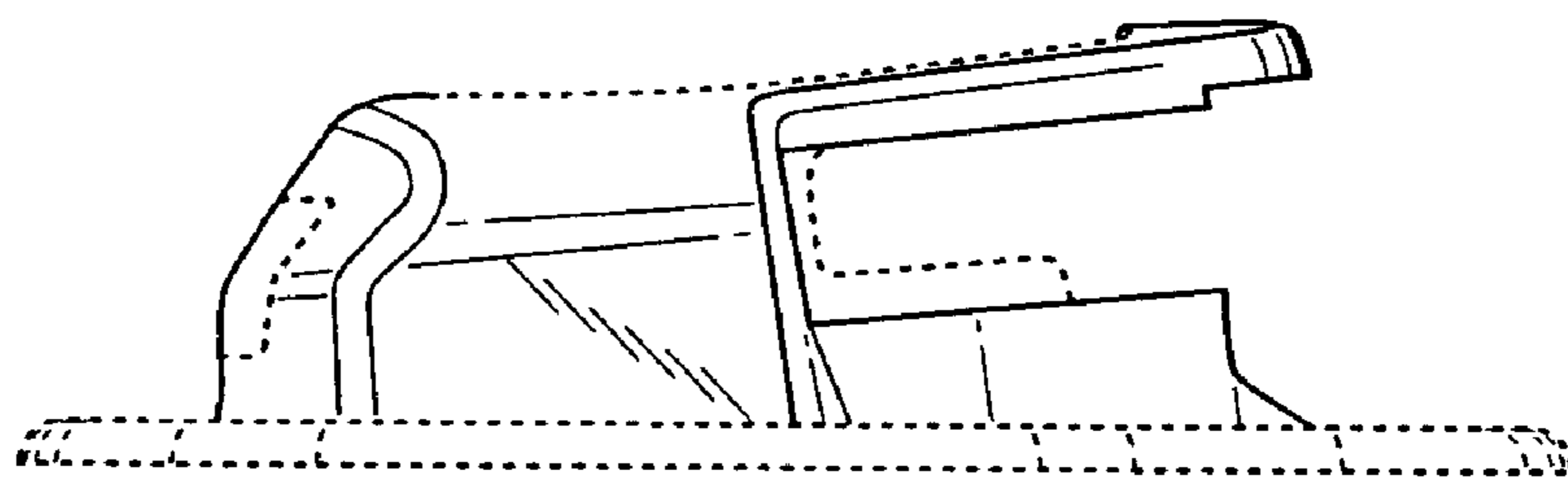


Fig. 5

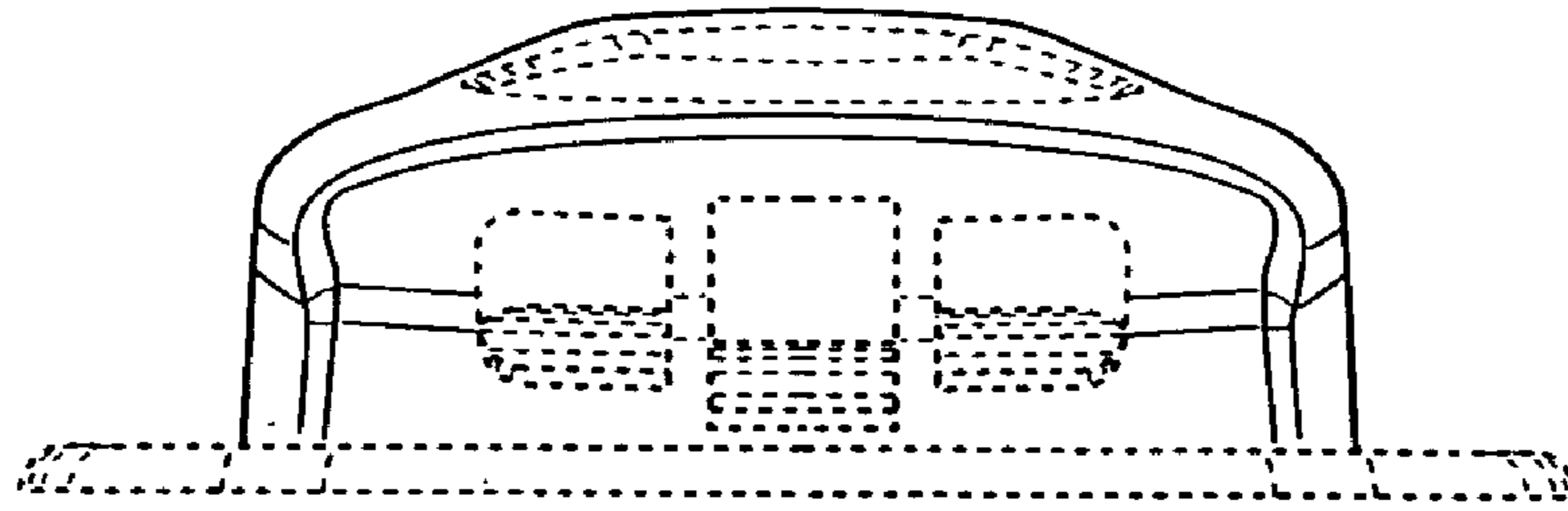


Fig. 6

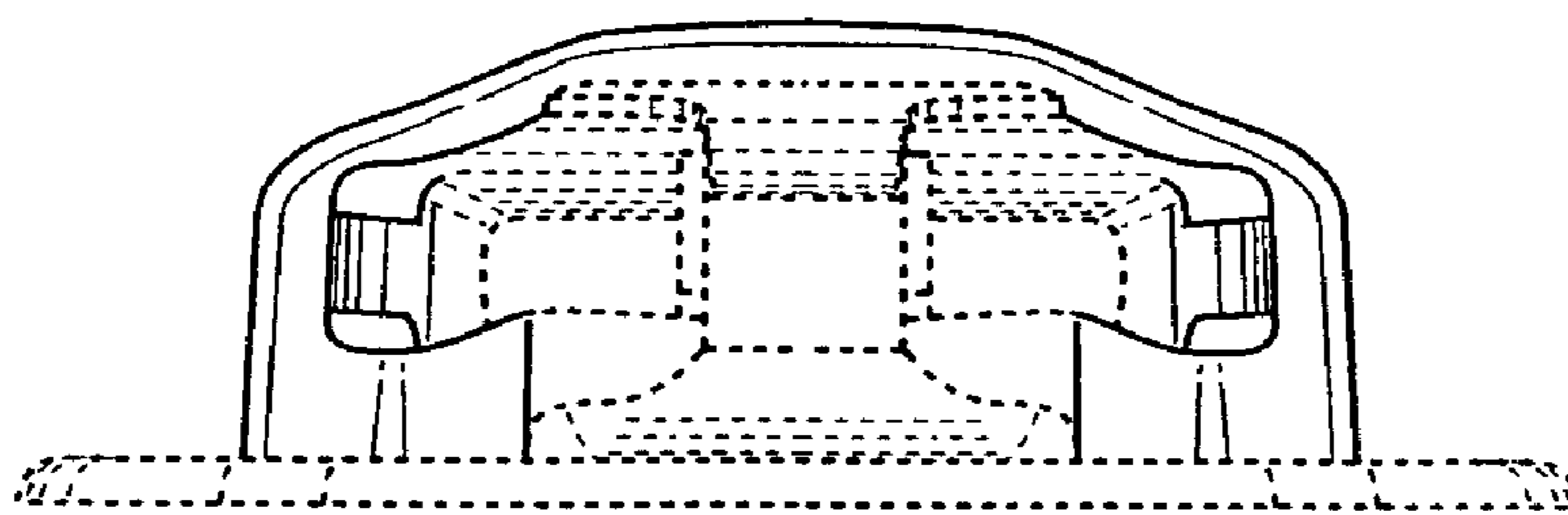


Fig. 7

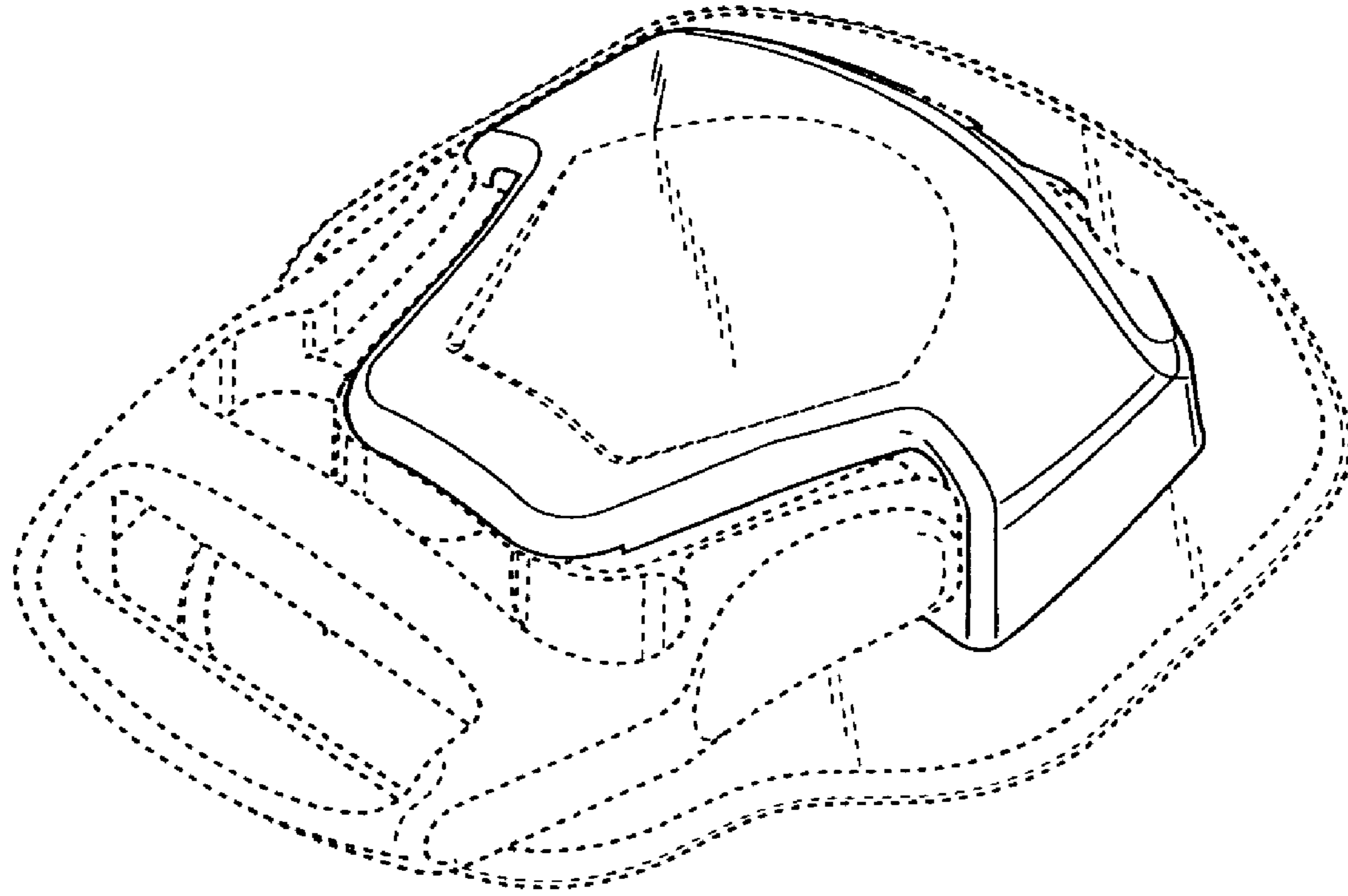


Fig. 8

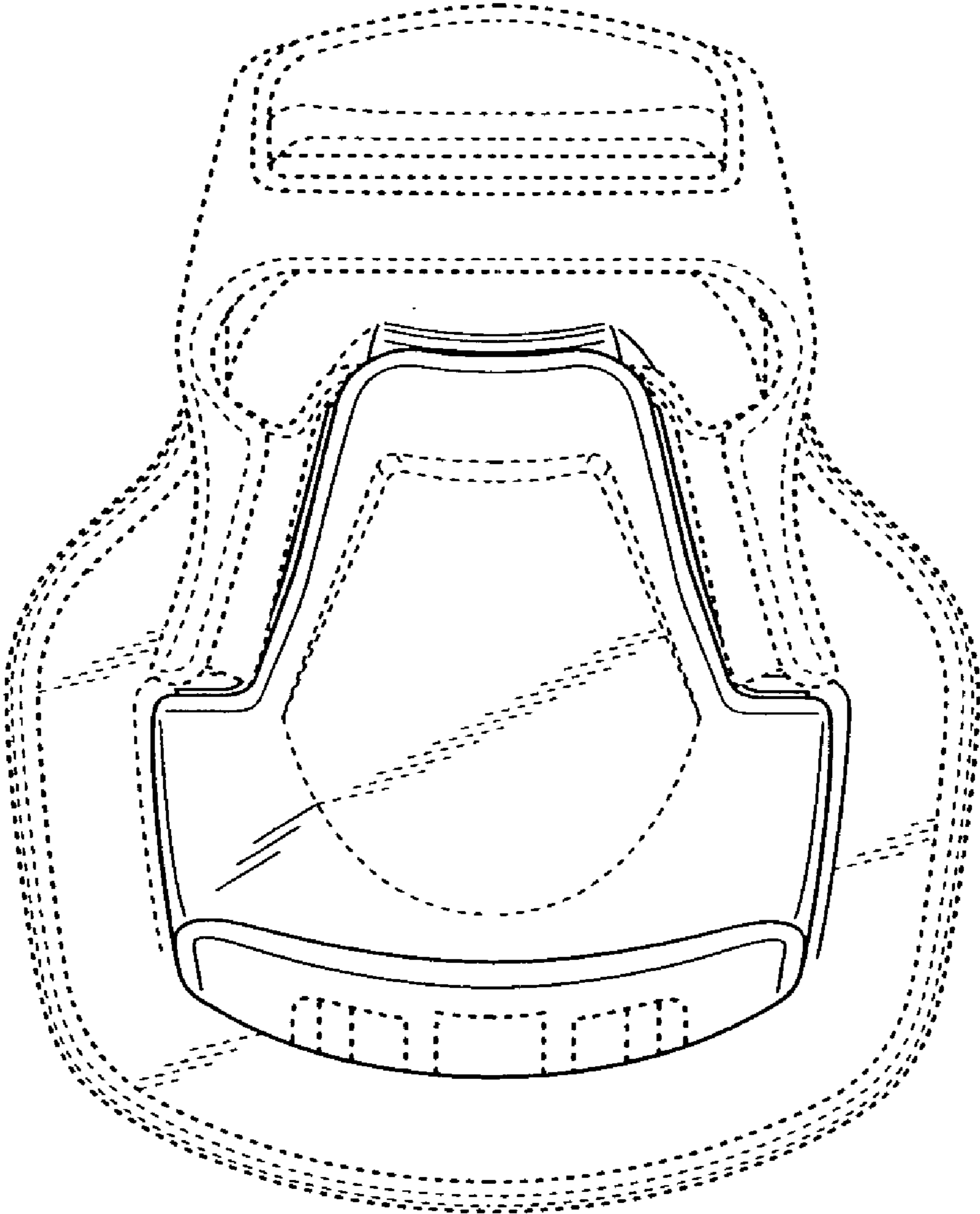


Fig. 9

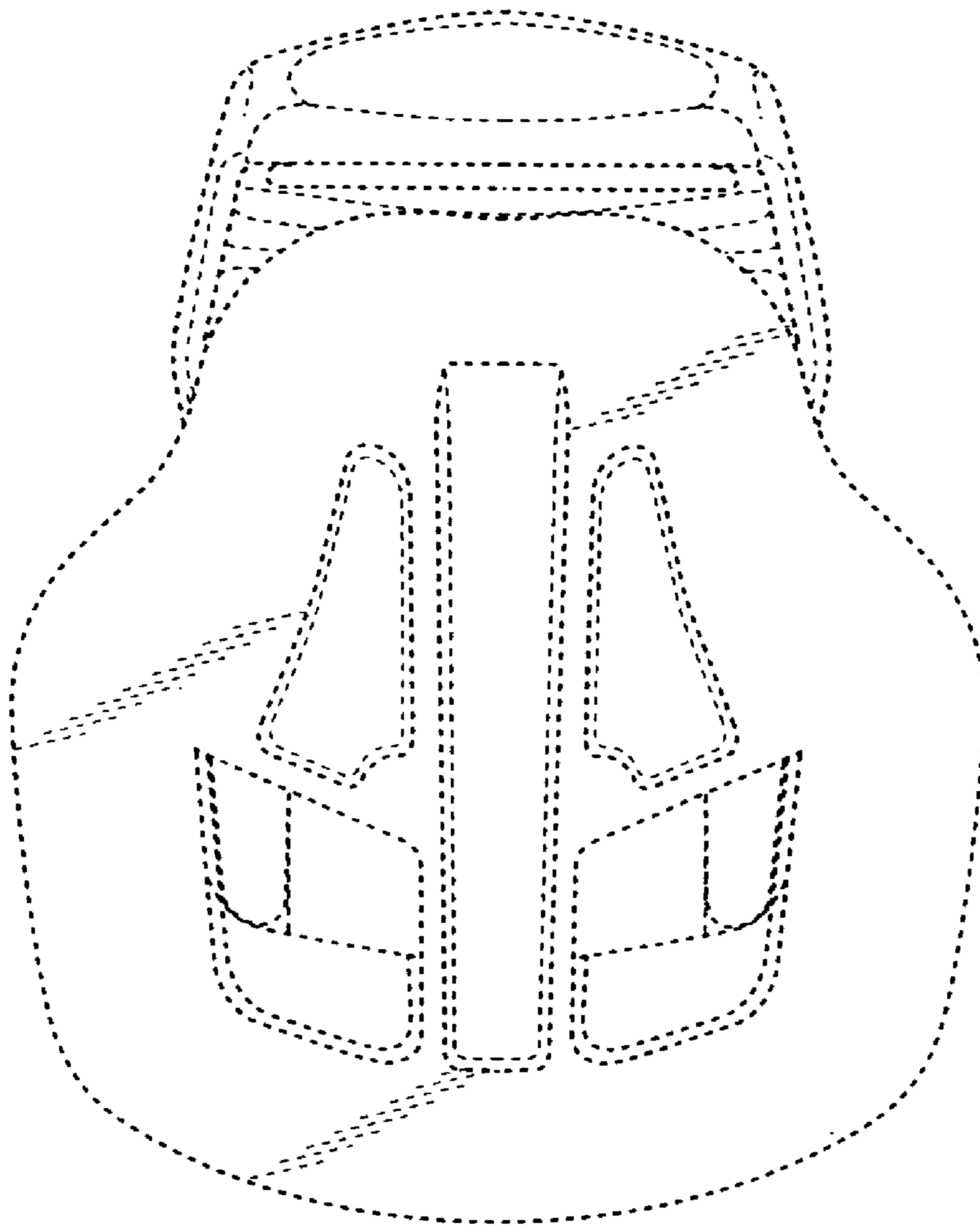


Fig. 10

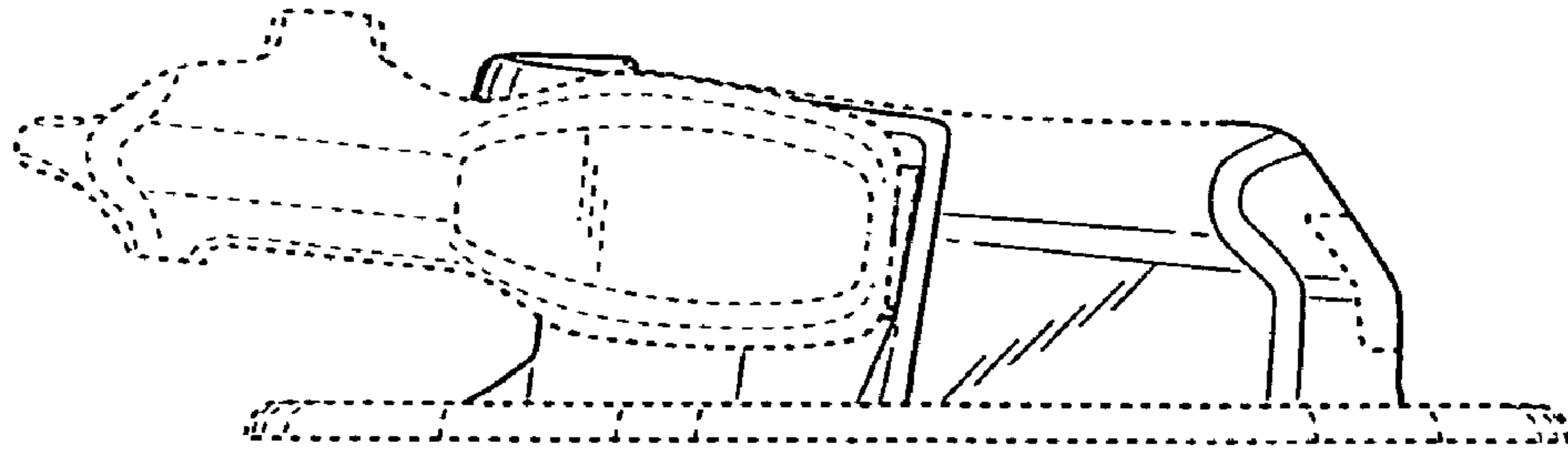


Fig. 11

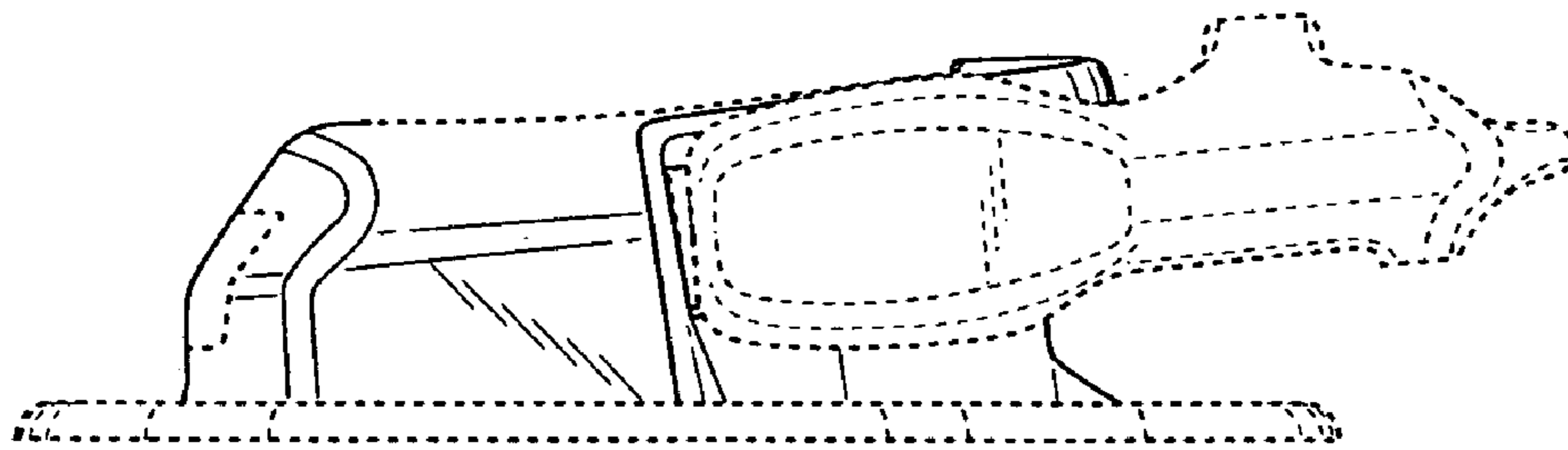


Fig. 12

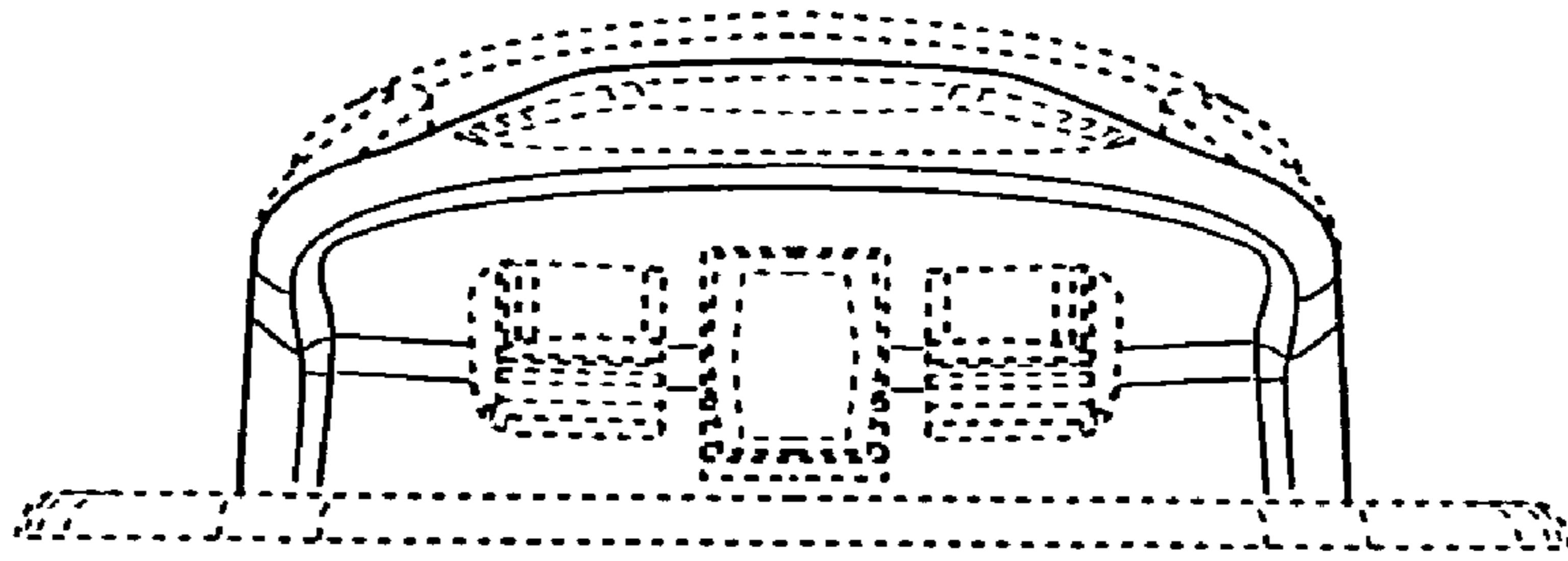


Fig. 13

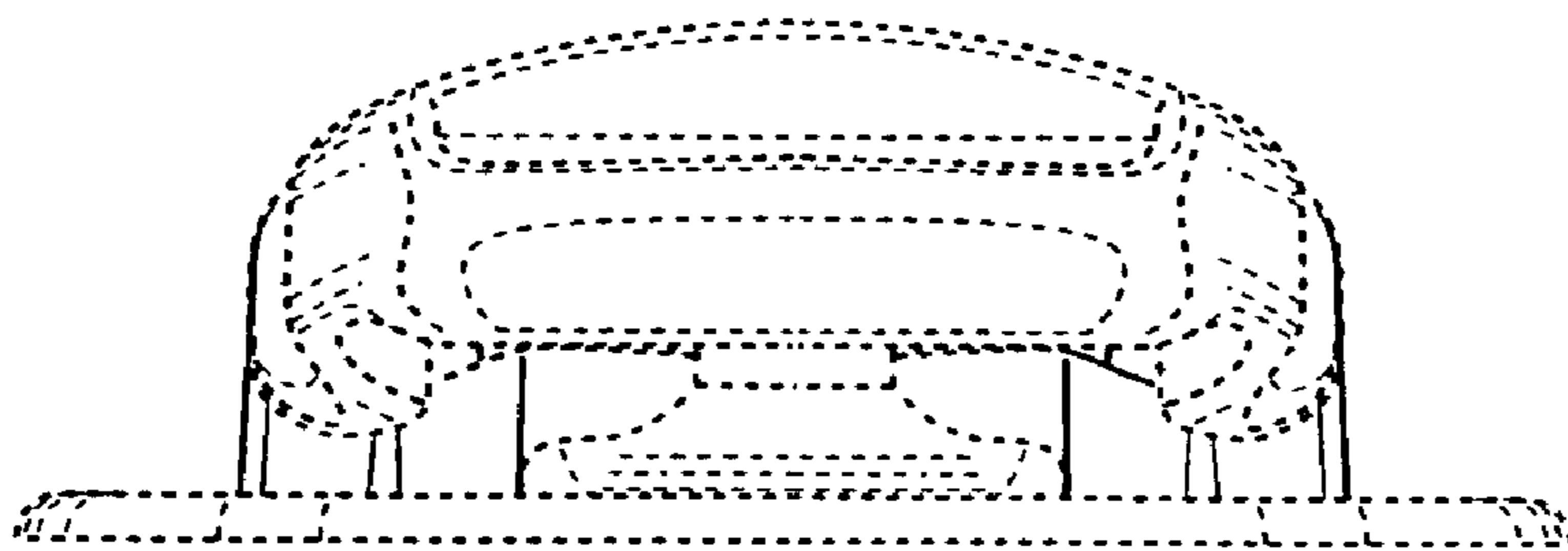


Fig. 14