



US00D561057S

(12) **United States Design Patent**
Jones

(10) **Patent No.:** **US D561,057 S**

(45) **Date of Patent:** **** Feb. 5, 2008**

(54) **FIRE ALARM SOUNDER**

(75) Inventor: **Vivian T. Jones**, Great Wakering (GB)

(73) Assignee: **Vimpex Limited** (GB)

(**) Term: **14 Years**

(21) Appl. No.: **29/241,907**

(22) Filed: **Nov. 2, 2005**

(30) **Foreign Application Priority Data**

May 9, 2005 (EM) 000343199-0001/0004

(51) **LOC (8) Cl.** **10-05**

(52) **U.S. Cl.** **D10/106**

(58) **Field of Classification Search** 340/297,
340/302, 299, 540, 541, 545, 346, 547, 565,
340/566, 562, 287; D10/113, 106; D13/158,
D13/168; 439/709

See application file for complete search history.

(56) **References Cited**

U.S. PATENT DOCUMENTS

D144,235 S *	3/1946	Brass	D10/106
D265,802 S *	8/1982	Vickery	D10/118
D276,708 S *	12/1984	Simpson	D10/104
D428,351 S *	7/2000	Hohlfelder	D10/106
D429,696 S *	8/2000	Taylor	D13/158

D433,644 S *	11/2000	Sakurai et al.	D10/106
D437,298 S *	2/2001	Picozza et al.	D13/168
D478,832 S *	8/2003	Dipple	D10/106
6,632,108 B1 *	10/2003	Hohlfelder	439/709
6,903,654 B2 *	6/2005	Hansen et al.	340/562
2007/0063821 A1 *	3/2007	Finkle et al.	340/287

* cited by examiner

Primary Examiner—Robert M. Spear

Assistant Examiner—George D Kirschbaum

(74) *Attorney, Agent, or Firm*—Renner Kenner Greive
Bobak Taylor & Weber

(57) **CLAIM**

The ornamental design for a fire alarm sounder, as shown and described.

DESCRIPTION

FIG. 1 is a perspective view of a fire alarm sounder showing my new design;

FIG. 2 is a front elevational view thereof;

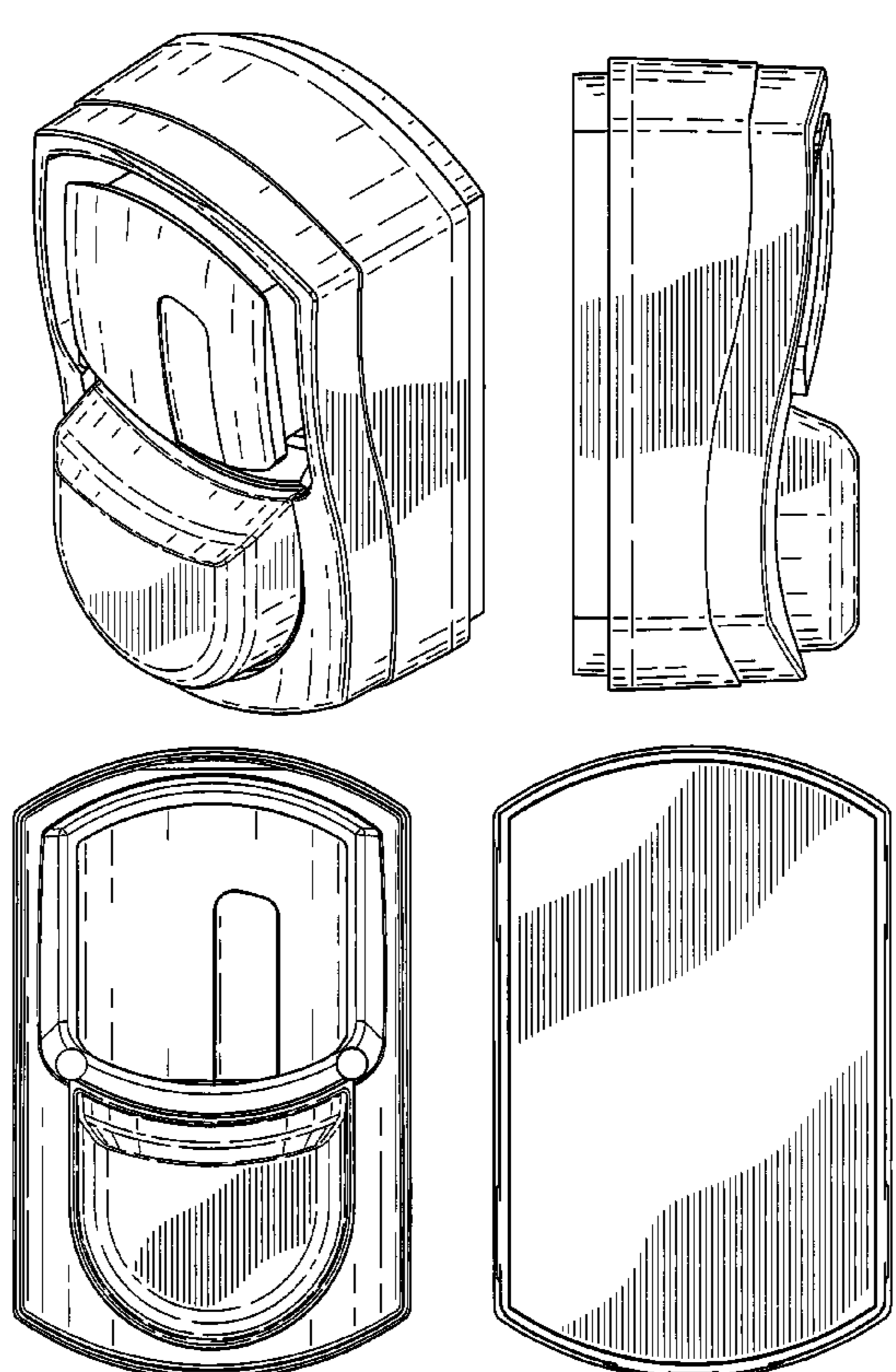
FIG. 3 is a side elevational view, the opposite side elevational view being a mirror image thereof;

FIG. 4 is a top plan view thereof;

FIG. 5 is a bottom plan view thereof; and,

FIG. 6 is a rear elevational view thereof.

1 Claim, 3 Drawing Sheets



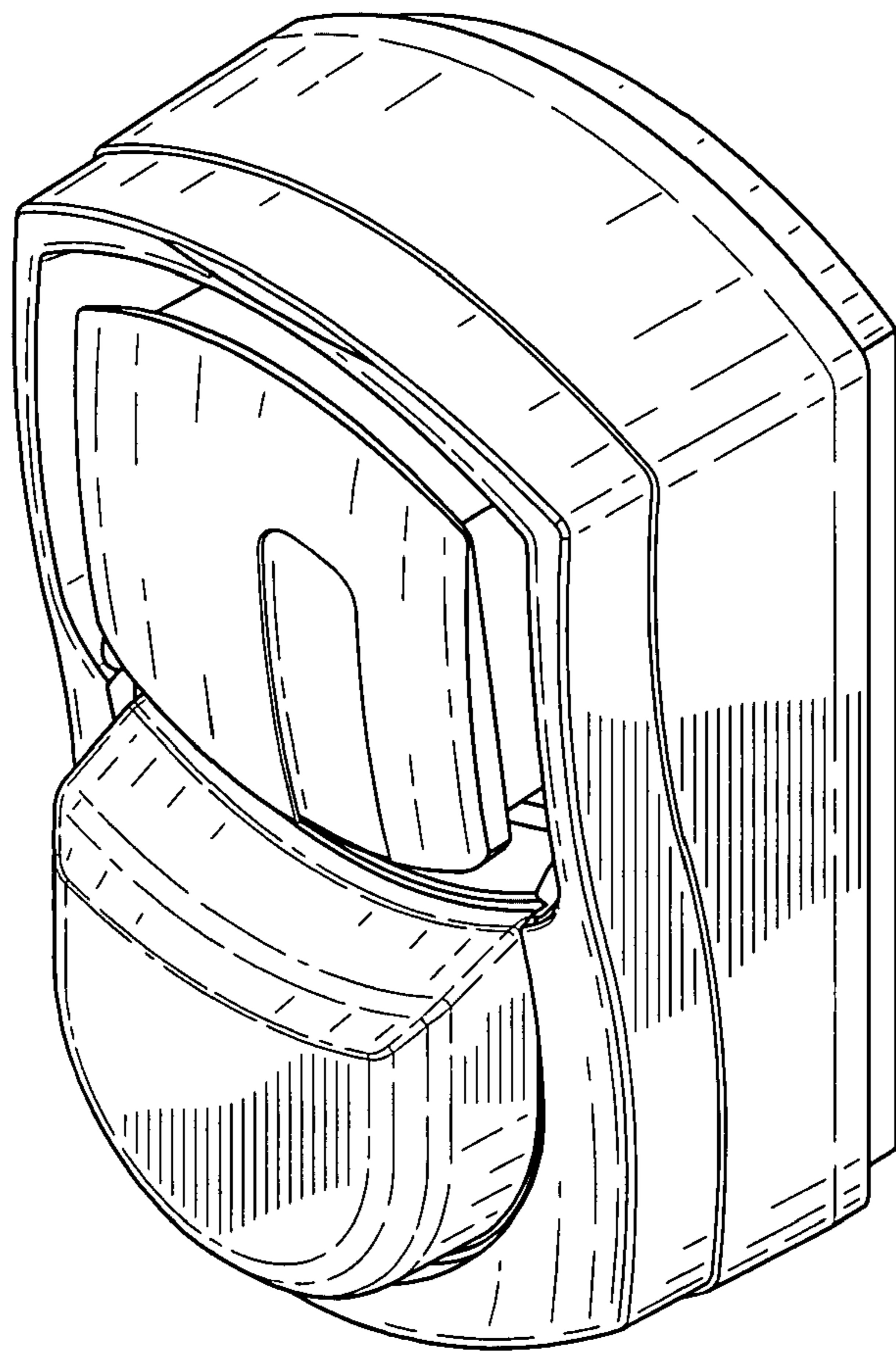


FIG-1

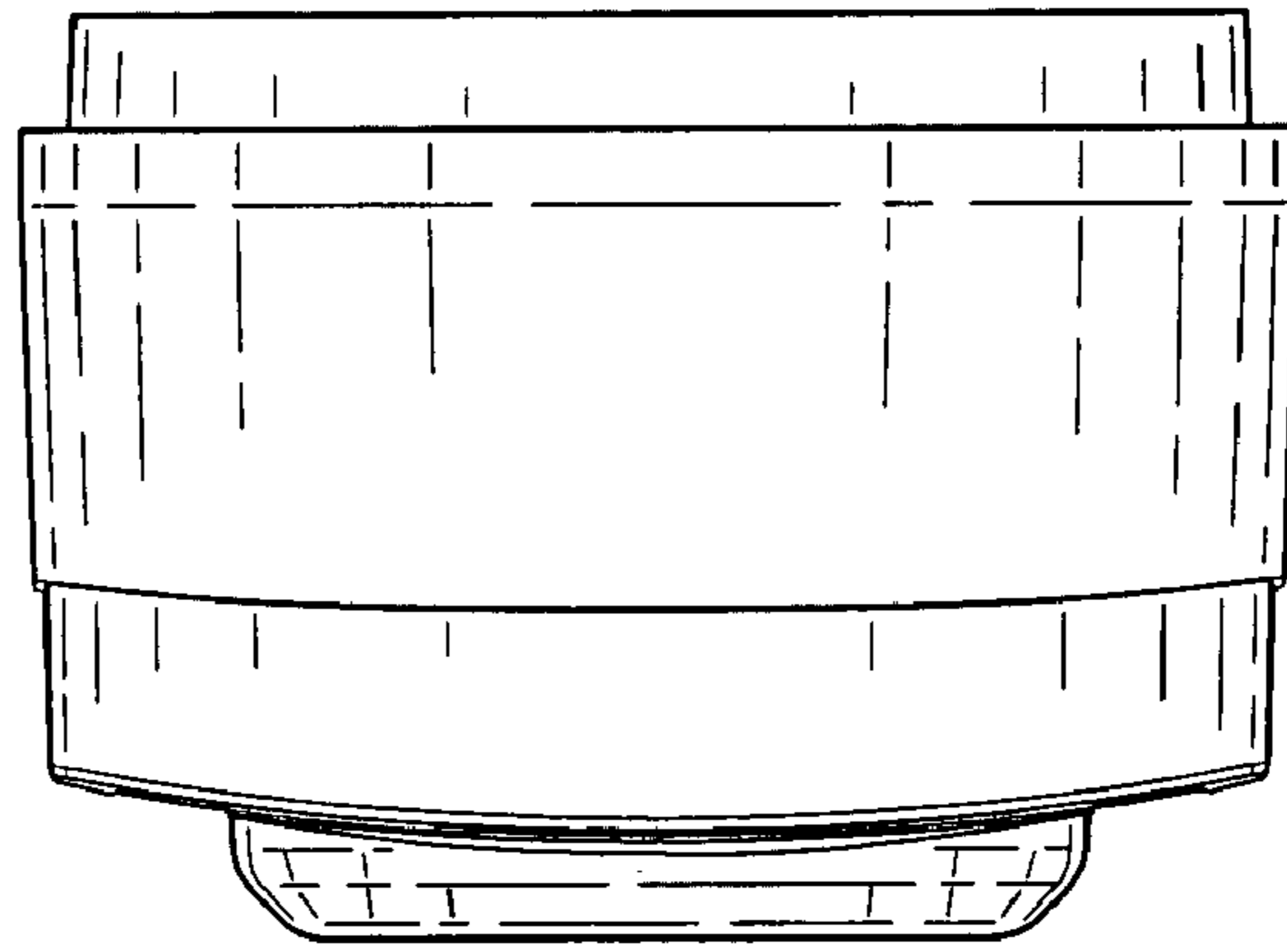


FIG-4

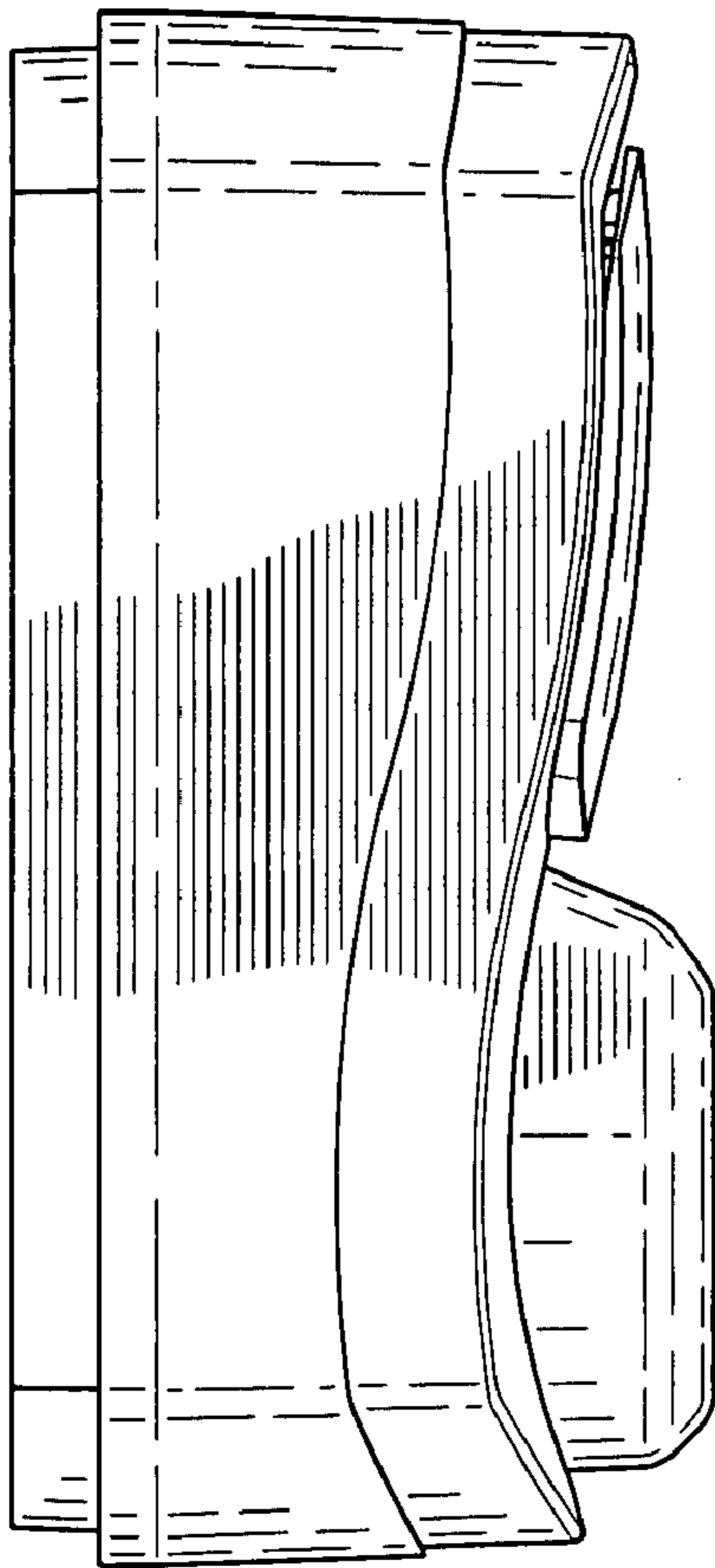


FIG-3

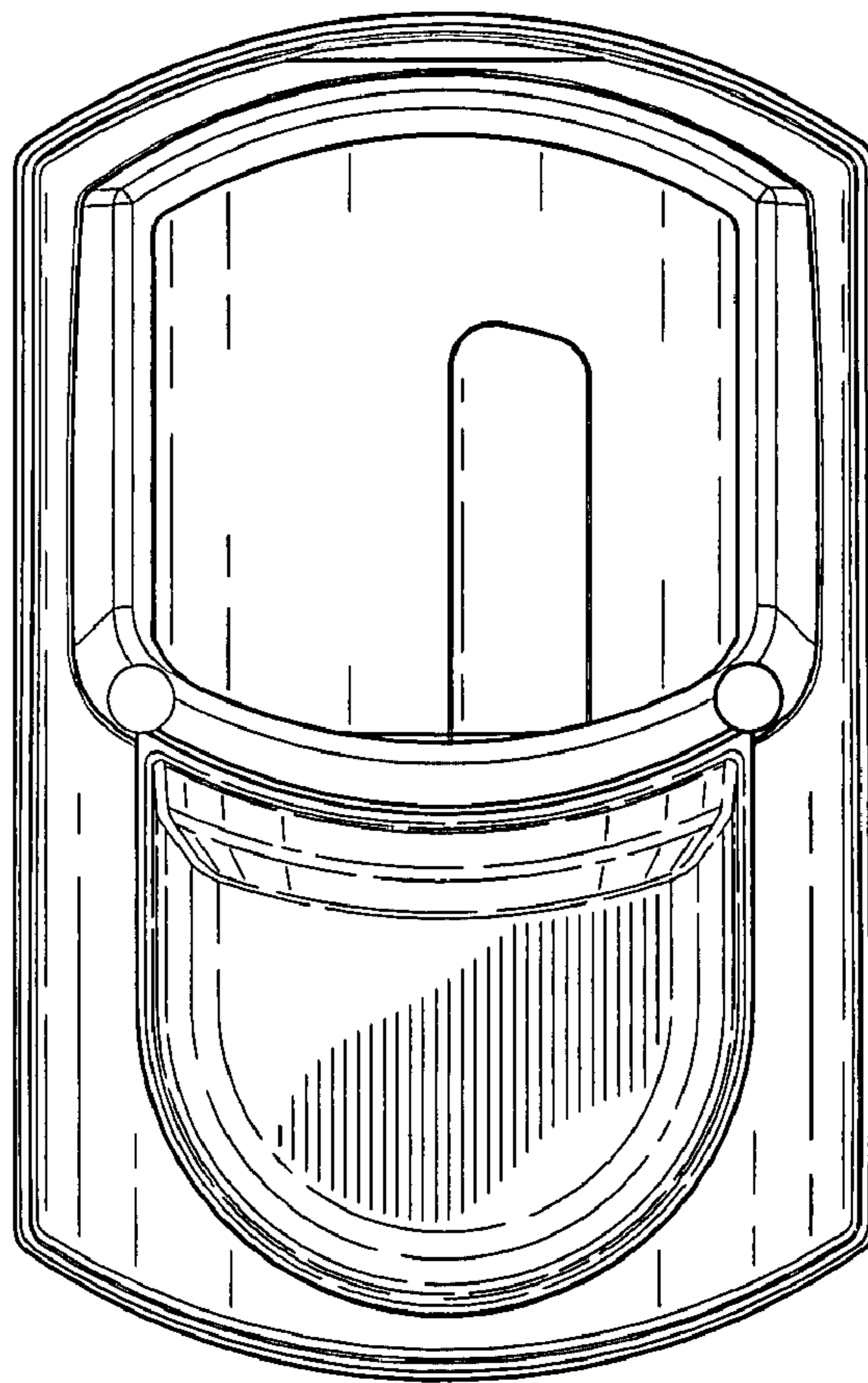


FIG-2

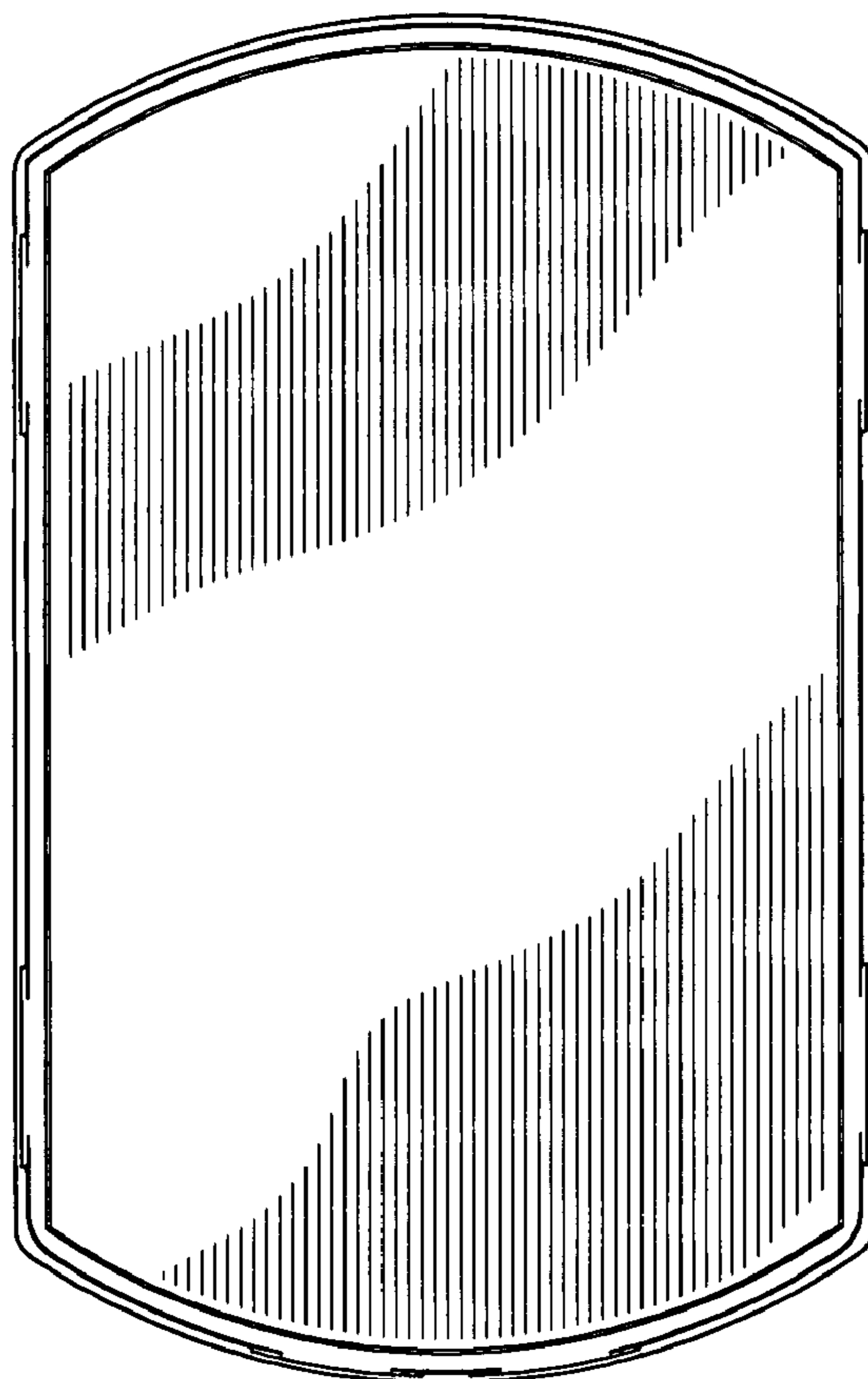


FIG-6

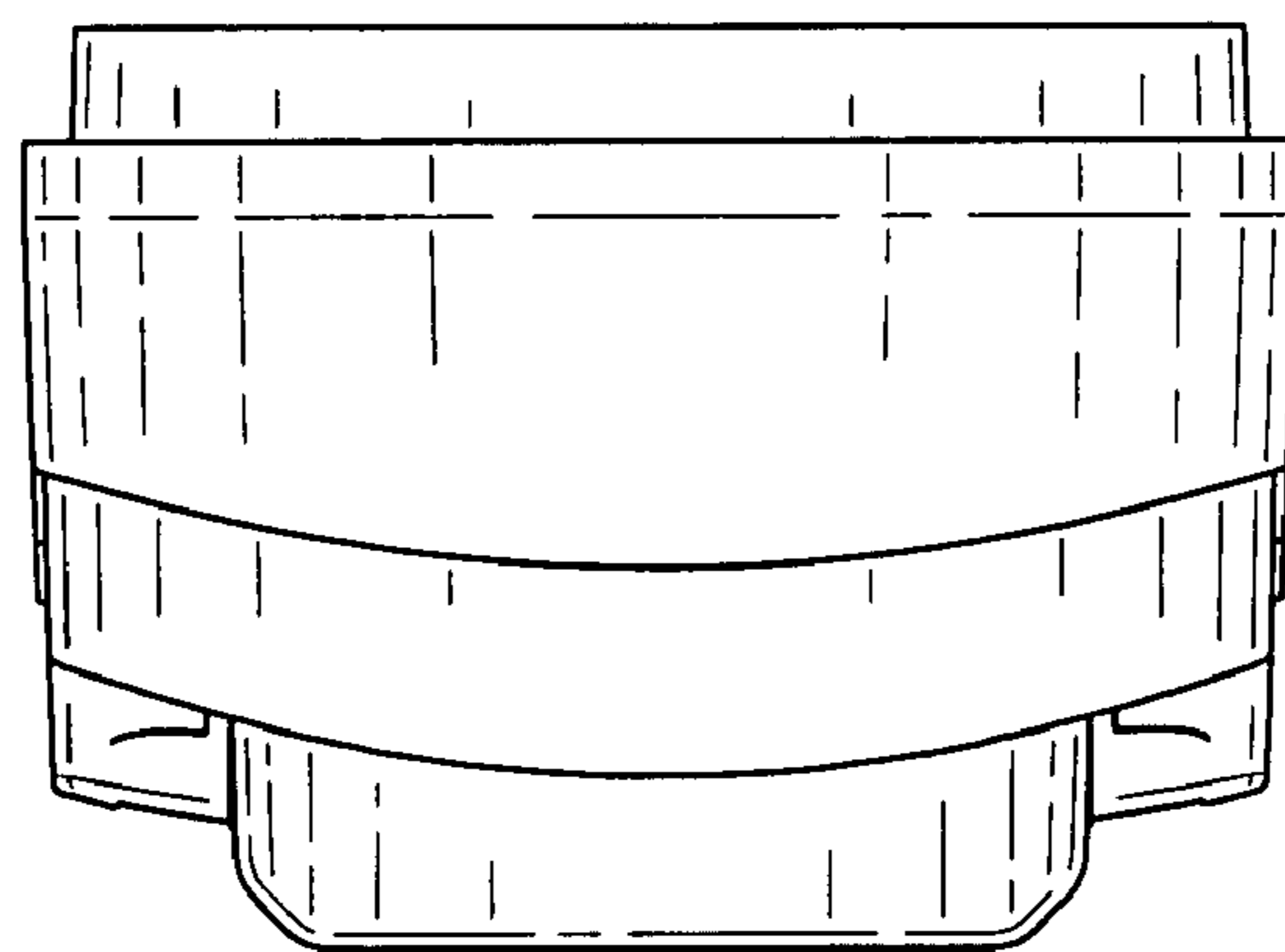


FIG-5