



US00D561054S

(12) **United States Design Patent** (10) **Patent No.:** **US D561,054 S**
Ogura et al. (45) **Date of Patent:** **** Feb. 5, 2008**

(54) **PRISM OF SENSOR CHIP FOR BIOCHEMICAL ANALYSIS**

2006/0070878 A1* 4/2006 Wu et al. 204/403.01

(75) Inventors: **Nobuhiko Ogura**, Kanagawa (JP);
Katsuaki Muraishi, Kanagawa (JP);
Hitoshi Shimizu, Kanagawa (JP);
Masashi Hakamata, Kanagawa (JP);
Yasunobu Sakaguchi, Kanagawa (JP);
Yoshiyuki Kunuki, Kanagawa (JP)

OTHER PUBLICATIONS

“OHIM Design Registration No. 000391321-0001,” OHIM—Office for Harmonization In the Internal Market, Aug. 23, 2005.
“OHIM Design Registration No. 000391321-0002,” OHIM—Office for Harmonization In the Internal Market, Aug. 23, 2005.
“OHIM Design Registration No. 000391321-0003,” OHIM—Office for Harmonization In the Internal Market, Aug. 23, 2005.
“OHIM Design Registration No. 000391321-0004,” OHIM—Office for Harmonization In the Internal Market, Aug. 23, 2005.
“OHIM Design Registration No. 000391321-0005,” OHIM—Office for Harmonization In the Internal Market, Aug. 23, 2005.

(73) Assignee: **Fujifilm Corporation**, Tokyo (JP)

* cited by examiner

(**) Term: **14 Years**

Primary Examiner—Antoine D. Davis

(21) Appl. No.: **29/266,476**

(74) *Attorney, Agent, or Firm*—Young & Thompson

(22) Filed: **Sep. 22, 2006**

(30) **Foreign Application Priority Data**

(57) **CLAIM**

Mar. 23, 2006 (JP) 2006-007189

The ornamental design for a prism of sensor chip for biochemical analysis, as shown and described.

(51) **LOC (8) Cl.** **10-04**

DESCRIPTION

(52) **U.S. Cl.** **D10/81**

(58) **Field of Classification Search** D10/81;
204/403.01, 412; 205/775; 422/56, 101;
435/278.2; 436/73, 80, 164, 169, 172, 178;
600/365

FIG. 1 is a perspective view of a prism of sensor chip for biochemical analysis, showing our new design;

FIG. 2 is a side elevational view thereof;

FIG. 3 is a side elevational view thereof from the side opposite that shown in FIG. 2;

See application file for complete search history.

FIG. 4 is a top plan view thereof;

(56) **References Cited**

U.S. PATENT DOCUMENTS

D379,662 S * 6/1997 Pearson et al. D10/81
D379,663 S * 6/1997 Pearson et al. D10/81
6,751,491 B2 * 6/2004 Lew et al. 600/345
6,787,368 B1 * 9/2004 Wong et al. 435/287.2
6,866,758 B2 * 3/2005 Bhullar et al. 204/403.02
6,998,246 B2 * 2/2006 Schaffler et al. 435/181
2003/0046811 A1 * 3/2003 Chang et al. 600/365
2004/0124098 A1 * 7/2004 Huang et al. 205/775

FIG. 5 is a bottom plan view thereof;

FIG. 6 is a side elevational view thereof from the left of FIG. 2; and,

FIG. 7 is a side elevational view thereof from the right of FIG. 2.

The broken line representation indicates environmental structure and is not claimed in this application.

1 Claim, 4 Drawing Sheets

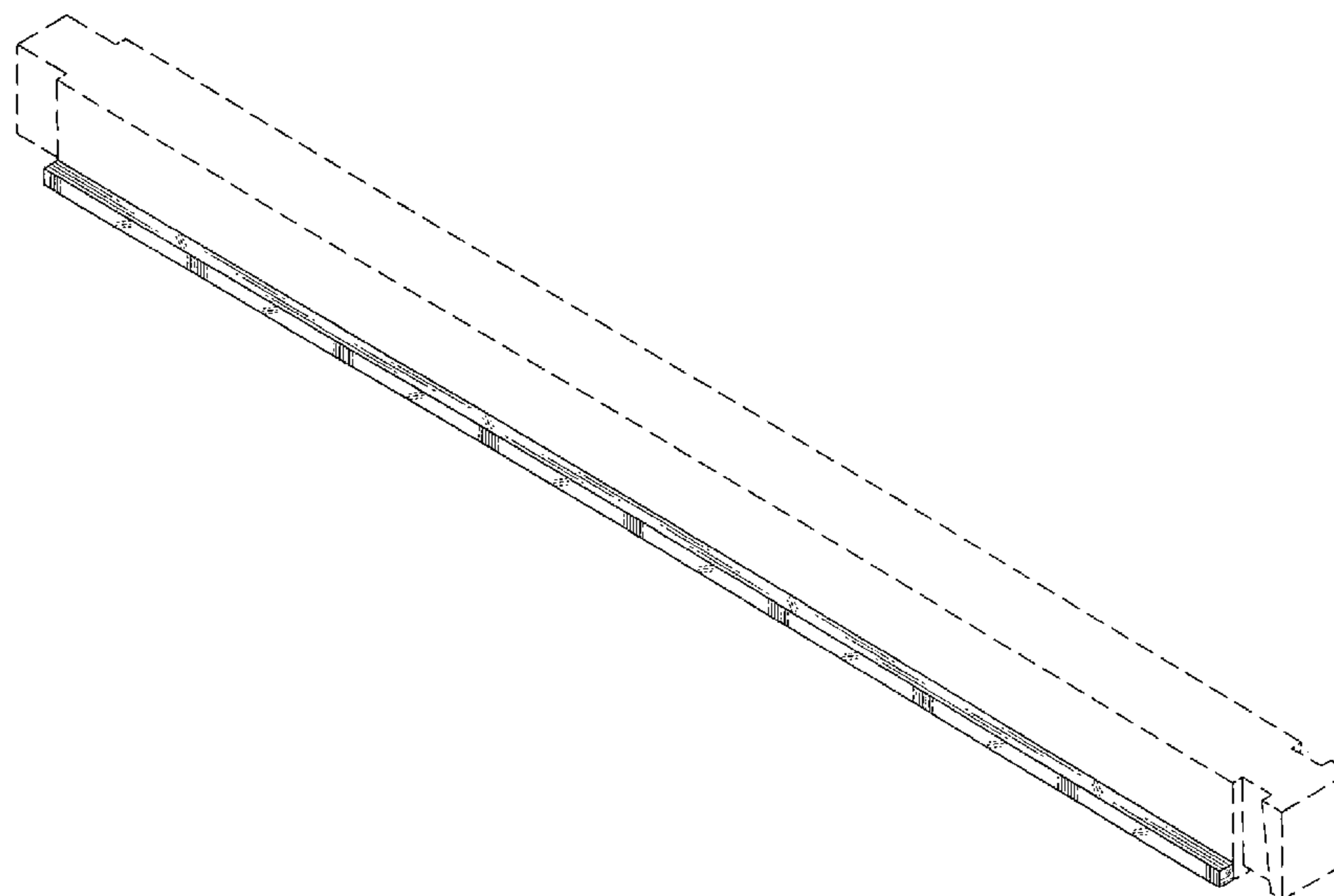


FIG. 1

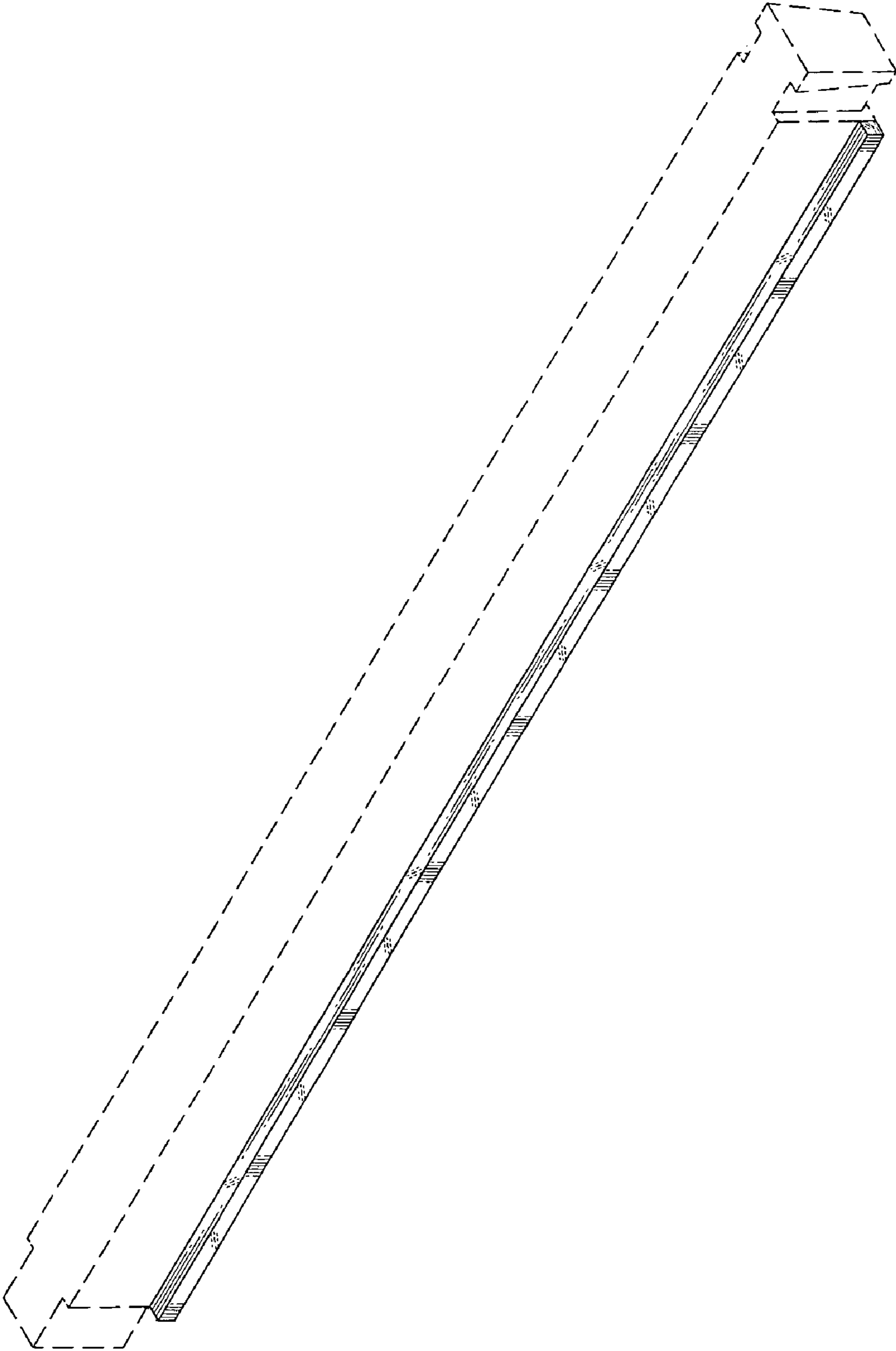


FIG. 2

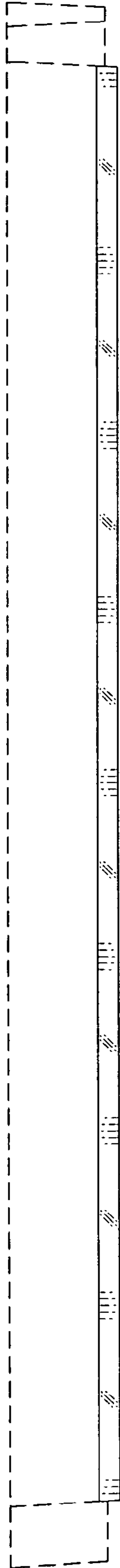


FIG. 3

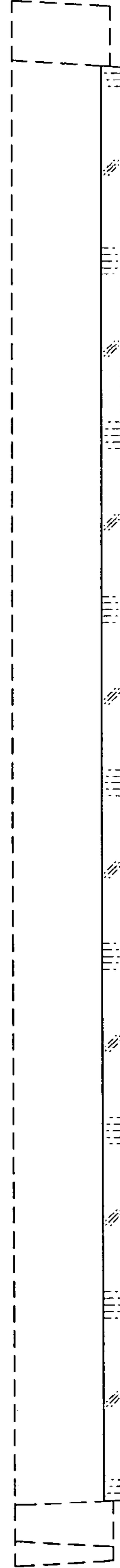


FIG. 4

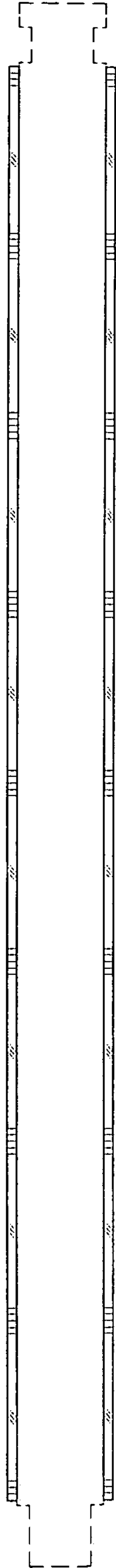


FIG. 5

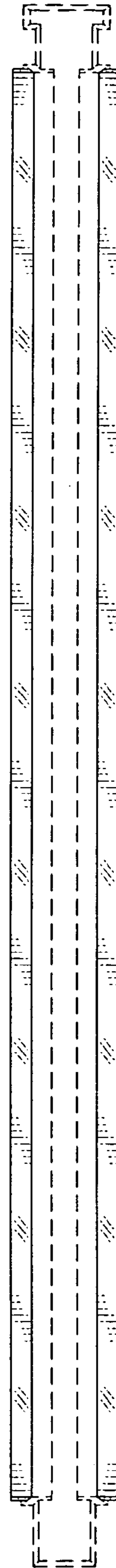


FIG. 6

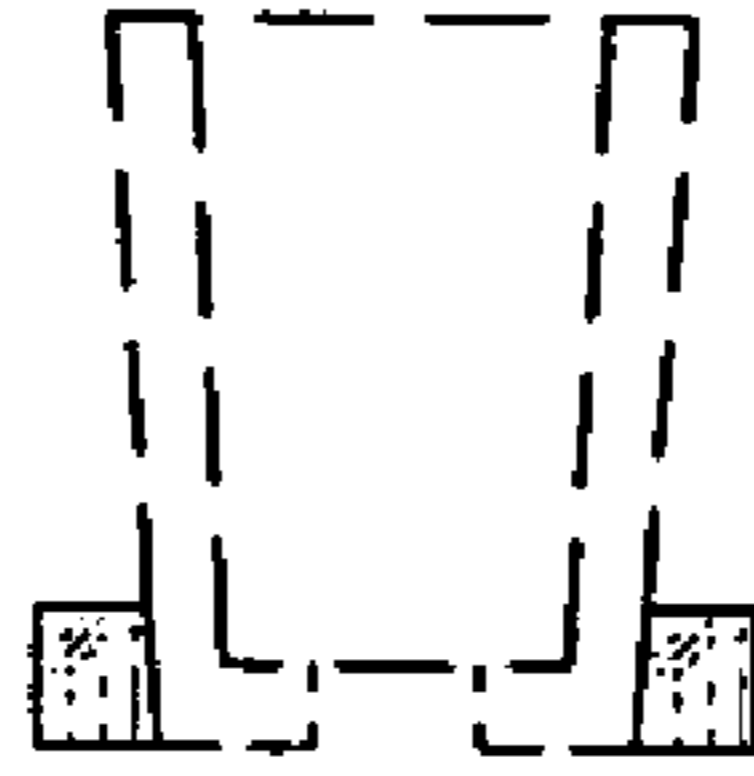


FIG. 7

