

US00D561052S

(12) **United States Design Patent**  
**Lau et al.**

(10) **Patent No.:** **US D561,052 S**  
(45) **Date of Patent:** **\*\* Feb. 5, 2008**

(54) **PREFABRICATED CORE STRUCTURE OF  
AUTOMATED PASSENGER MANAGEMENT  
SYSTEM WITH PASSENGER HEIGHT  
DETECTION SENSOR MECHANISM**

7,107,699 B2 \* 9/2006 Chang ..... 33/760

\* cited by examiner

(75) Inventors: **Vincent Hon-kwong Lau**, Kowloon  
(HK); **George Roger Manho**, Kowloon  
(HK)

*Primary Examiner*—Antoine D. Davis  
(74) *Attorney, Agent, or Firm*—Law Office of Sergei Orel,  
LLC

(73) Assignee: **RF Tech Limited**, Kowloon (HK)

(57) **CLAIM**

(\*\*) Term: **14 Years**

The ornamental design for a prefabricated core structure of  
automated passenger management system with passenger  
height detection sensor mechanism, as shown and described.

(21) Appl. No.: **29/264,366**

(22) Filed: **Aug. 8, 2006**

**DESCRIPTION**

(30) **Foreign Application Priority Data**

Mar. 28, 2006 (HK) ..... 0600776

(51) **LOC (8) Cl.** ..... **10-04**

(52) **U.S. Cl.** ..... **D10/65**

(58) **Field of Classification Search** ..... D10/65,  
D10/70; 33/281, 464, 645, 700, 712, 759,  
33/760, 809, 810, 533, 436, 443; 269/45,  
269/73, 303, 307; 83/468; 340/691–692  
See application file for complete search history.

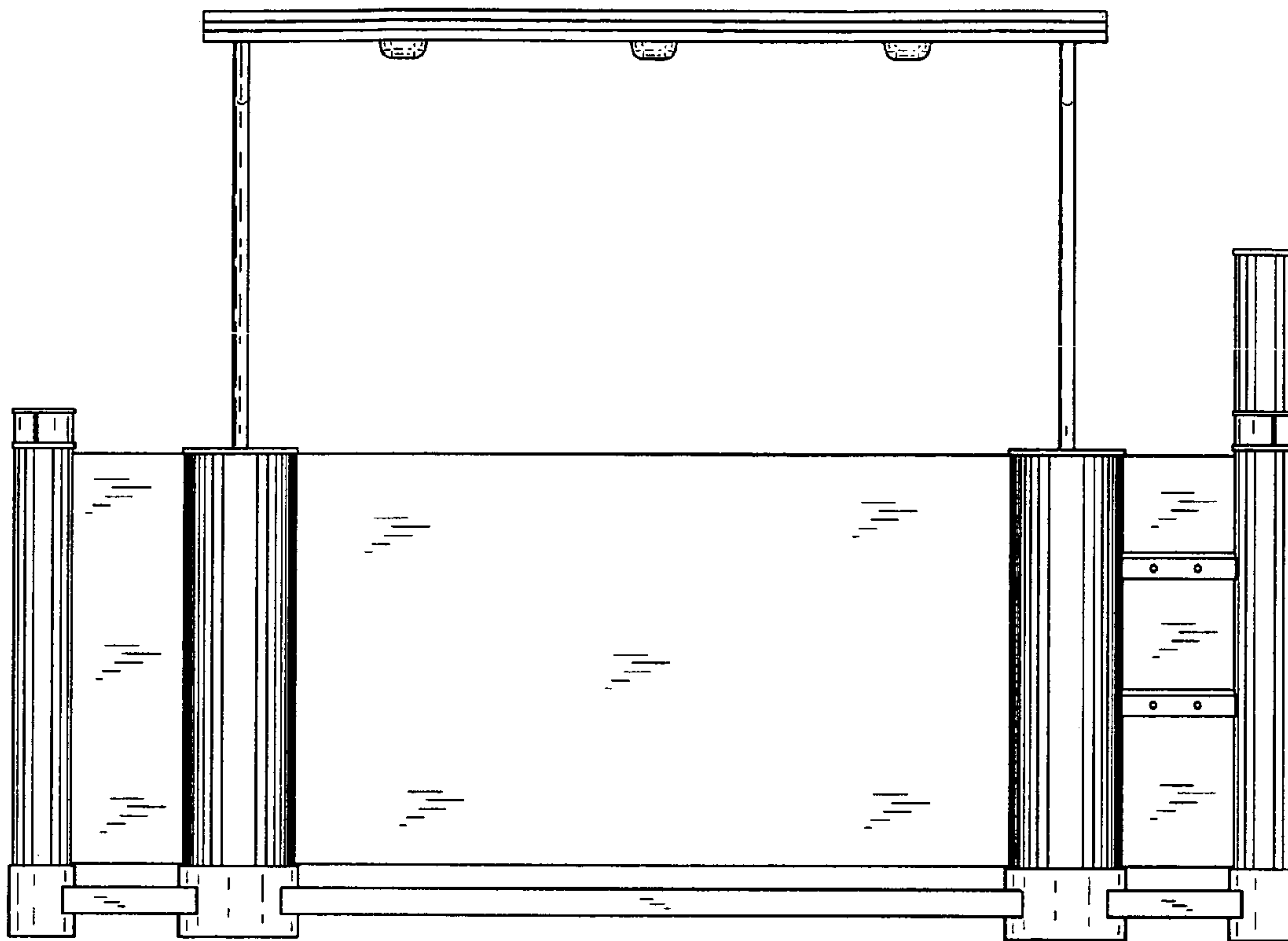
FIG. 1 is a front view of the prefabricated core structure of  
automated passenger management system with passenger  
height detection sensor mechanism showing my new design;  
FIG. 2 is a top view thereof;  
FIG. 3 is a bottom view thereof;  
FIG. 4 is a rear view thereof;  
FIG. 5 is a side view thereof;  
FIG. 6 is a opposite side view thereof;  
FIG. 7 is a partially exploded perspective view thereof; and,  
FIG. 8 is a alternative perspective view thereof.

(56) **References Cited**

**U.S. PATENT DOCUMENTS**

D268,738 S \* 4/1983 Yoshioka ..... D10/70

**1 Claim, 5 Drawing Sheets**



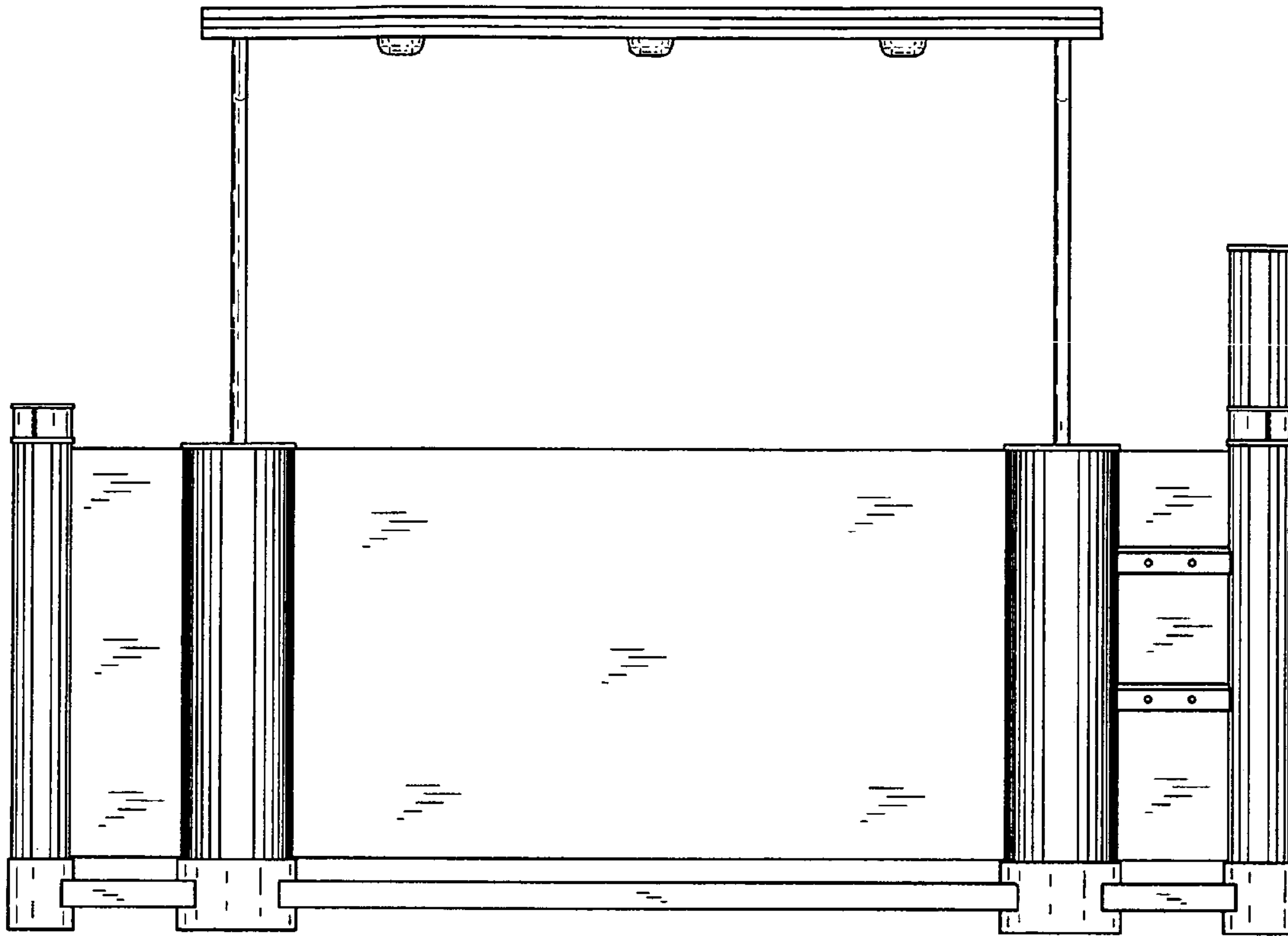


Fig.1

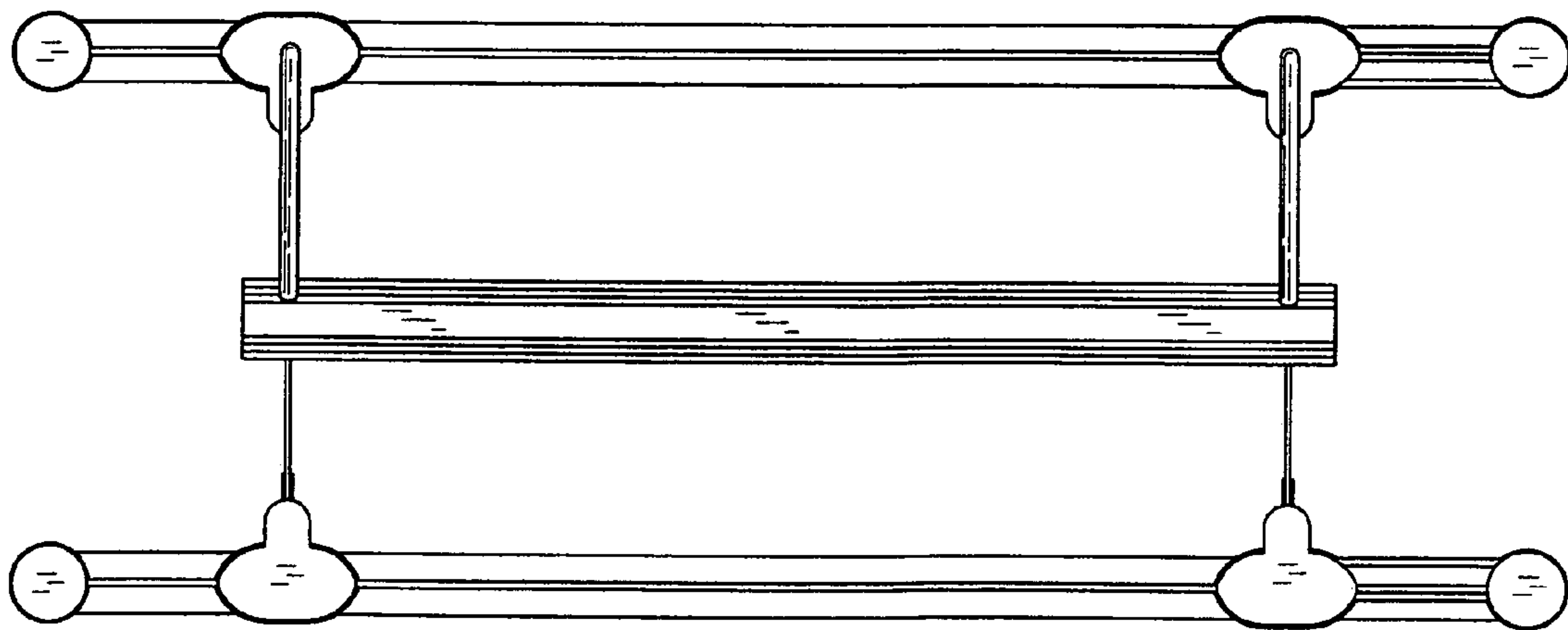


Fig.2

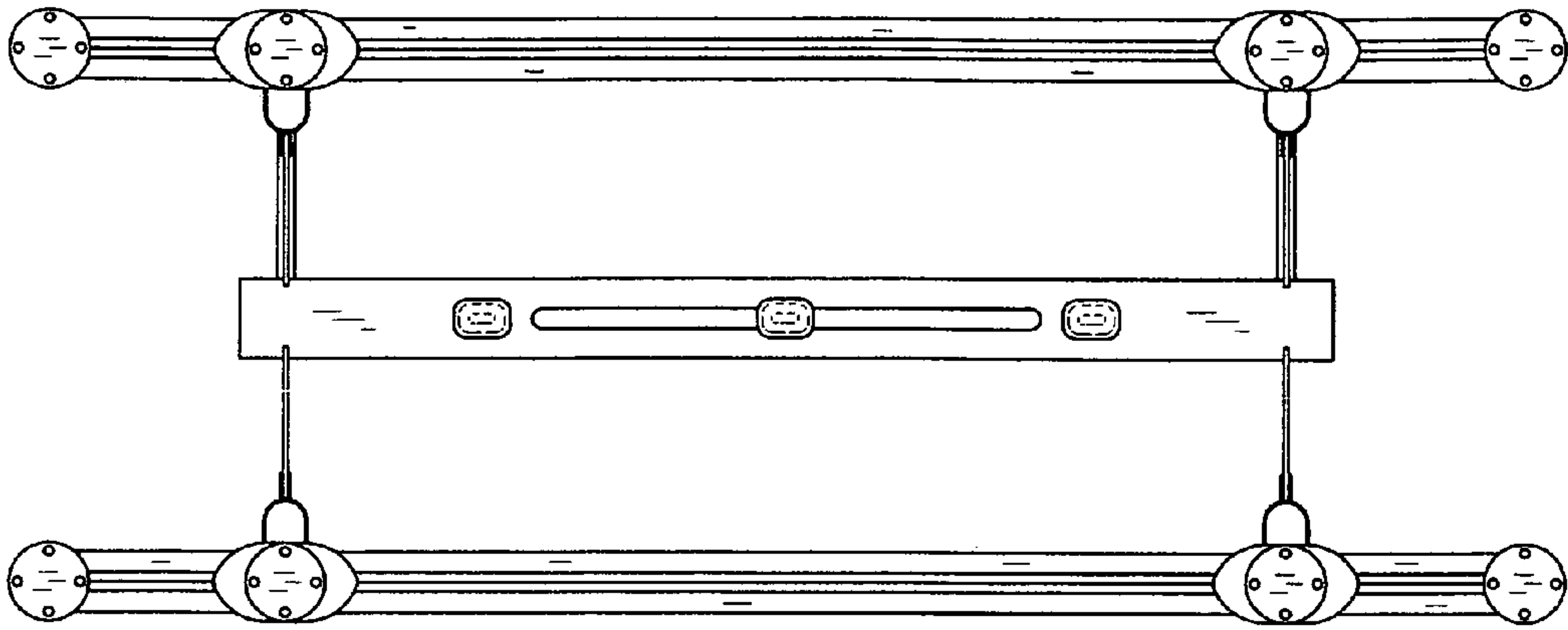


Fig.3

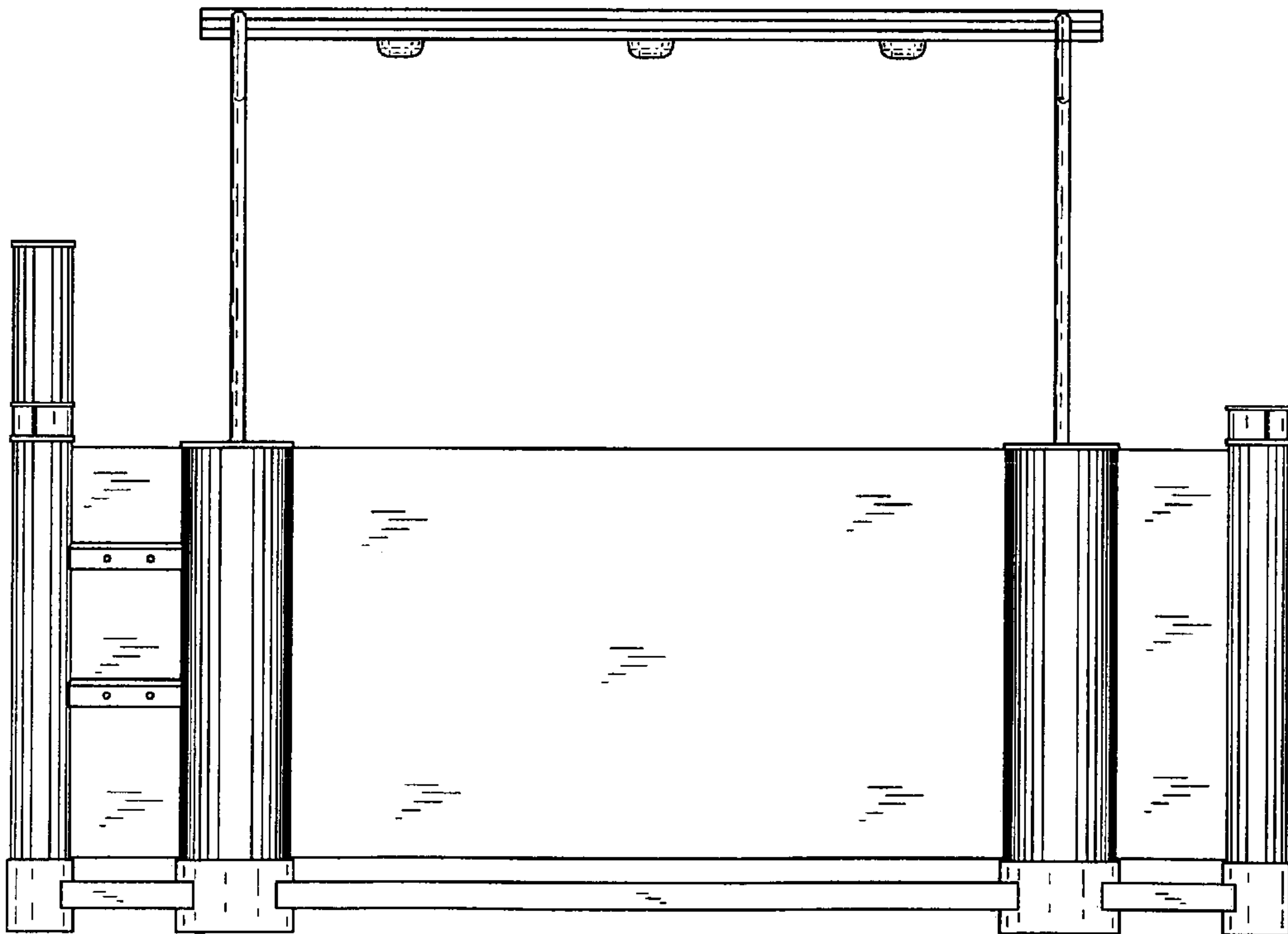


Fig.4

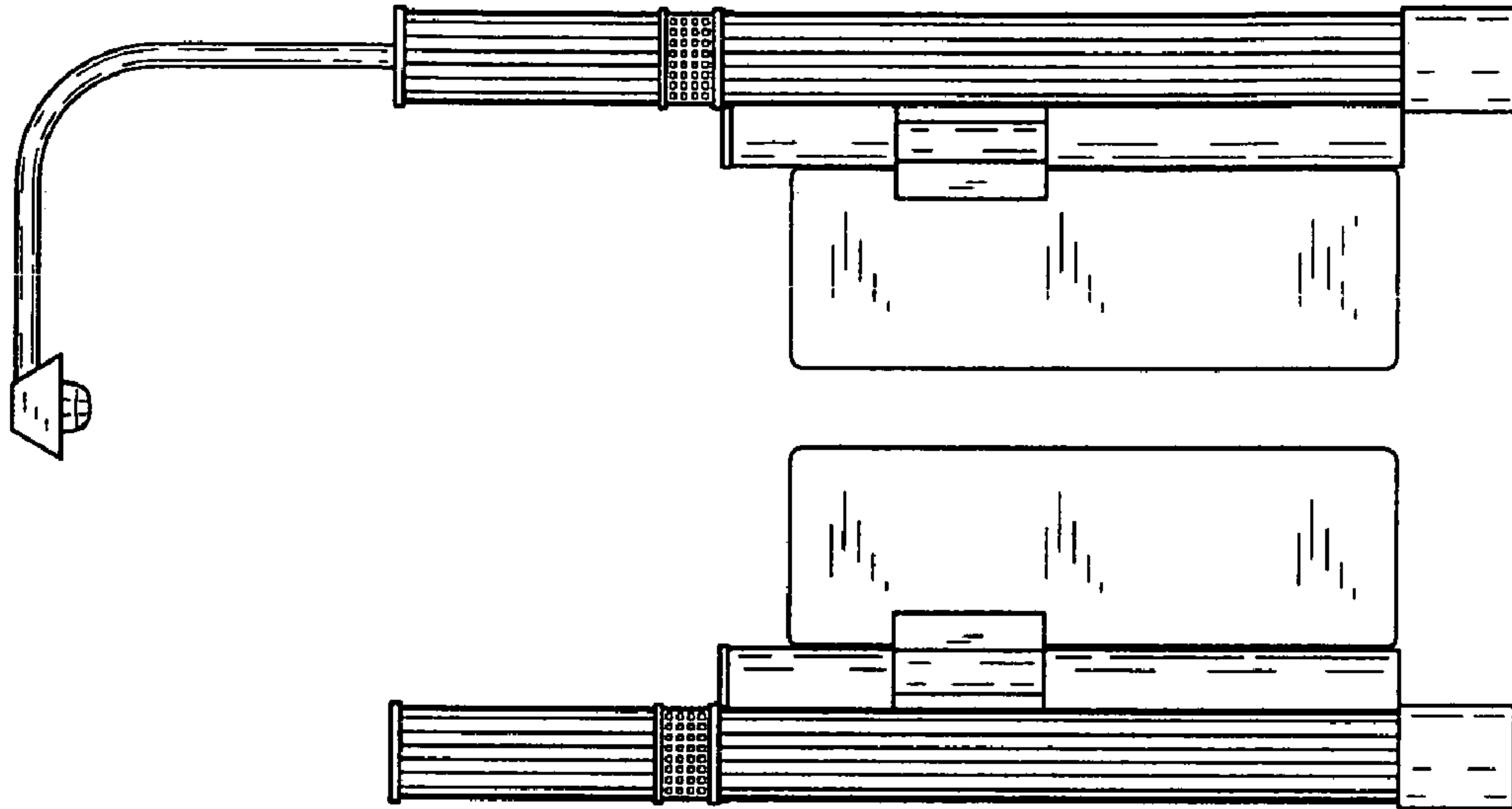


Fig. 6

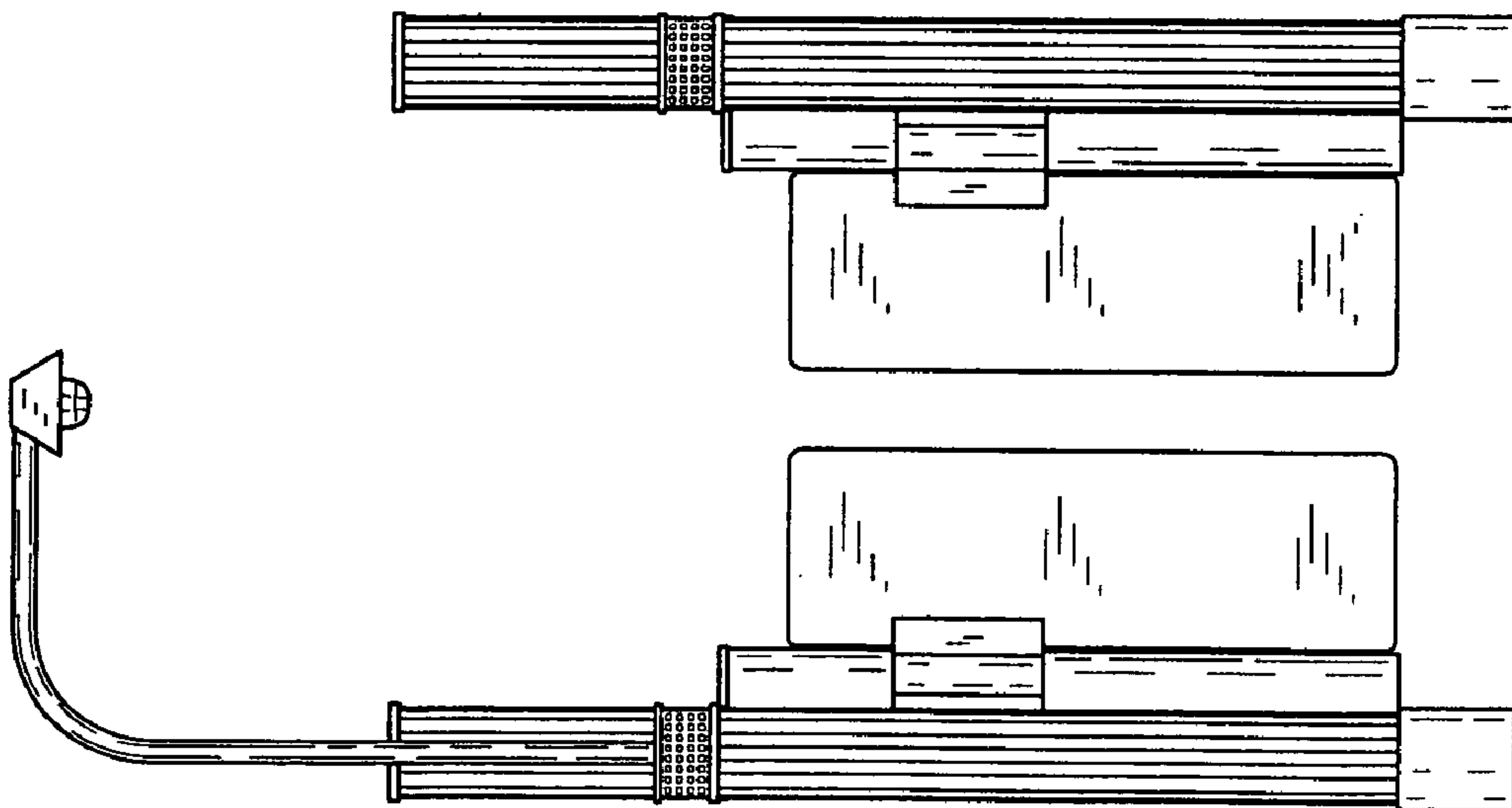


Fig. 5

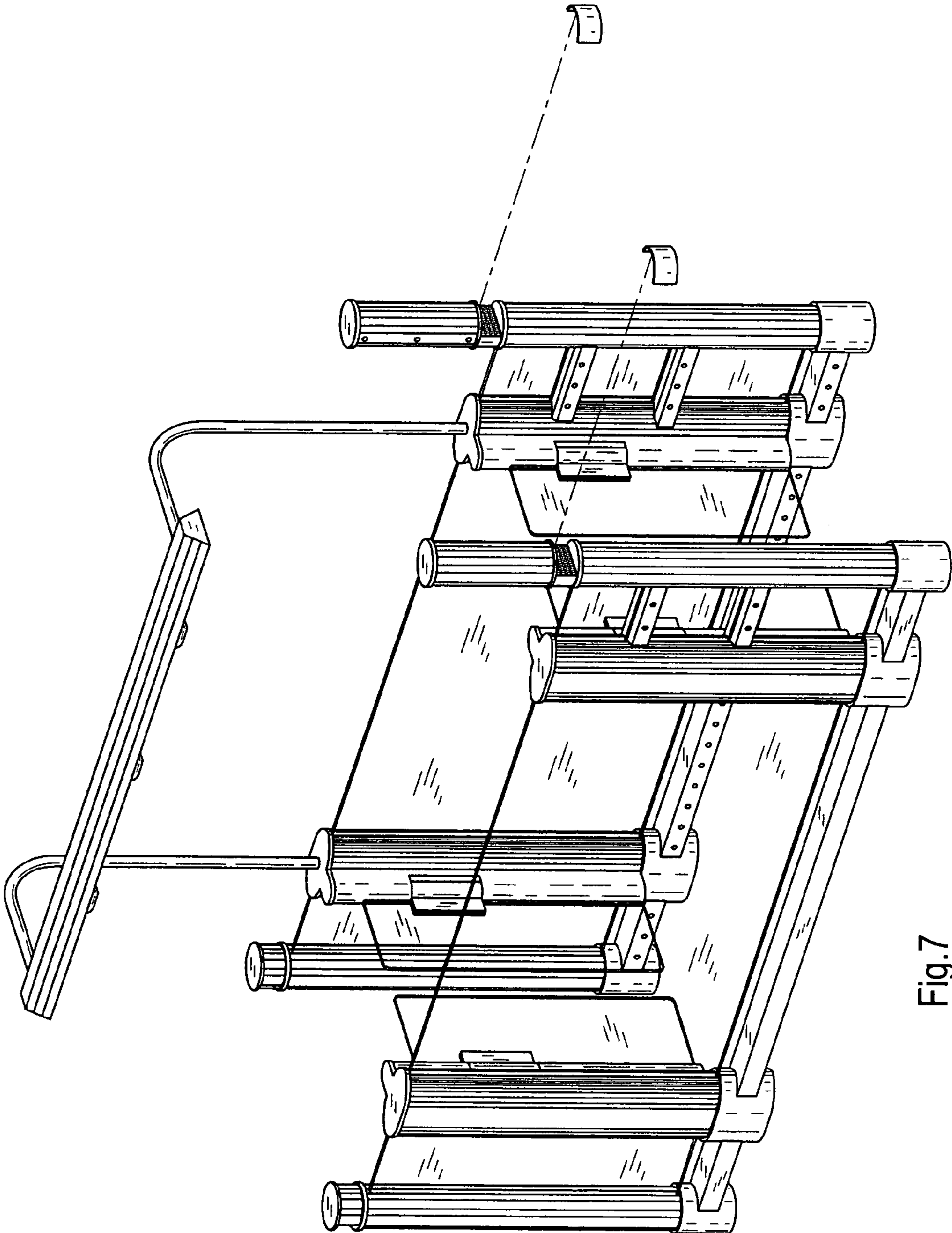


Fig.7



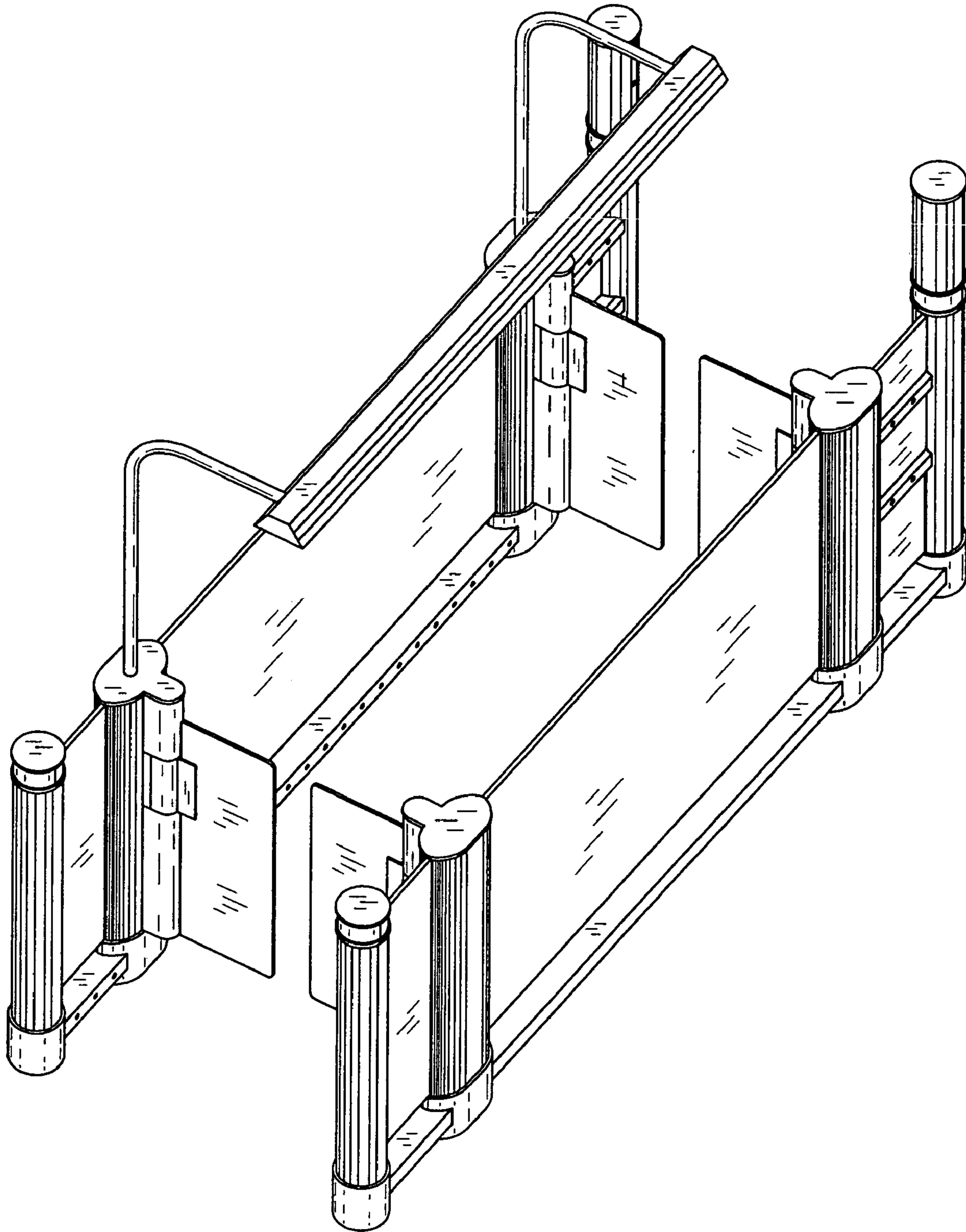


Fig.8