



US00D561047S

(12) **United States Design Patent**
Shields

(10) **Patent No.:** **US D561,047 S**

(45) **Date of Patent:** **** Feb. 5, 2008**

(54) **DISPENSER**

(76) Inventor: **Michael Peter Shields**, P.O. Box 91,
Mammoth Lakes, CA (US) 93546

(**) Term: **14 Years**

(21) Appl. No.: **29/263,646**

(22) Filed: **Jul. 27, 2006**

(51) **LOC (8) Cl.** **09-03**

(52) **U.S. Cl.** **D9/730**

(58) **Field of Classification Search** D9/414,
D9/416, 417, 418, 420, 422, 424, 426, 432,
D9/730, 733, 734, 735, 736; D3/203.1, 203.2,
D3/203.3; 206/37, 528, 533, 538-539; 215/215;
220/259.5, 315, 345.1, 345.2, 345.4, 350;
222/153.17, 498, 543, 546; 221/198, 279
See application file for complete search history.

(56) **References Cited**

U.S. PATENT DOCUMENTS

D252,558 S *	8/1979	Beck	D9/418
4,465,208 A *	8/1984	Buban et al.	221/279
D278,207 S *	4/1985	McLaughlin	D3/203.2
5,353,956 A *	10/1994	Wilson	221/198
D403,954 S *	1/1999	Okada et al.	D9/735
D407,972 S *	4/1999	Hilton	D9/422
D433,940 S *	11/2000	Lindsay et al.	D9/424
D474,402 S *	5/2003	Baerenwald	D8/420

D484,409 S *	12/2003	Haggerty et al.	D9/432
D522,855 S *	6/2006	Liebe et al.	D9/426
D523,352 S *	6/2006	Rathbone et al.	D9/733
D527,995 S *	9/2006	Tanner	D9/424
D546,671 S *	7/2007	Cronin et al.	D9/420

* cited by examiner

Primary Examiner—Stella M. Reid
Assistant Examiner—Shanda C. Hill

(57) **CLAIM**

The ornamental design for a dispenser, as shown and described.

DESCRIPTION

FIG. 1 is a top perspective view of a dispenser showing my new design;

FIG. 2 is a top perspective view of FIG. 1 shown in an alternate position;

FIG. 3 is a side view of FIG. 1;

FIG. 4 is a bottom view of FIG. 1;

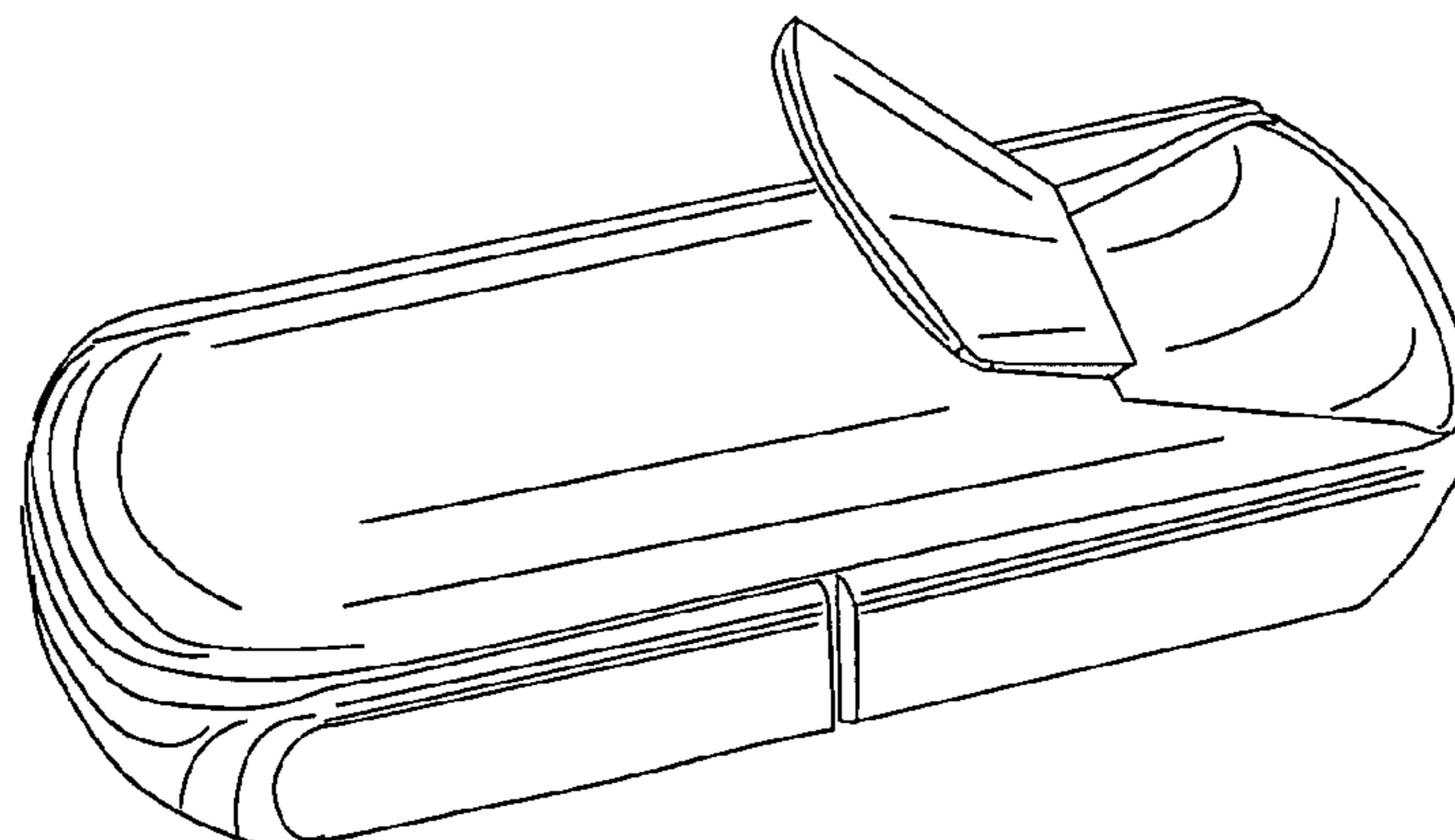
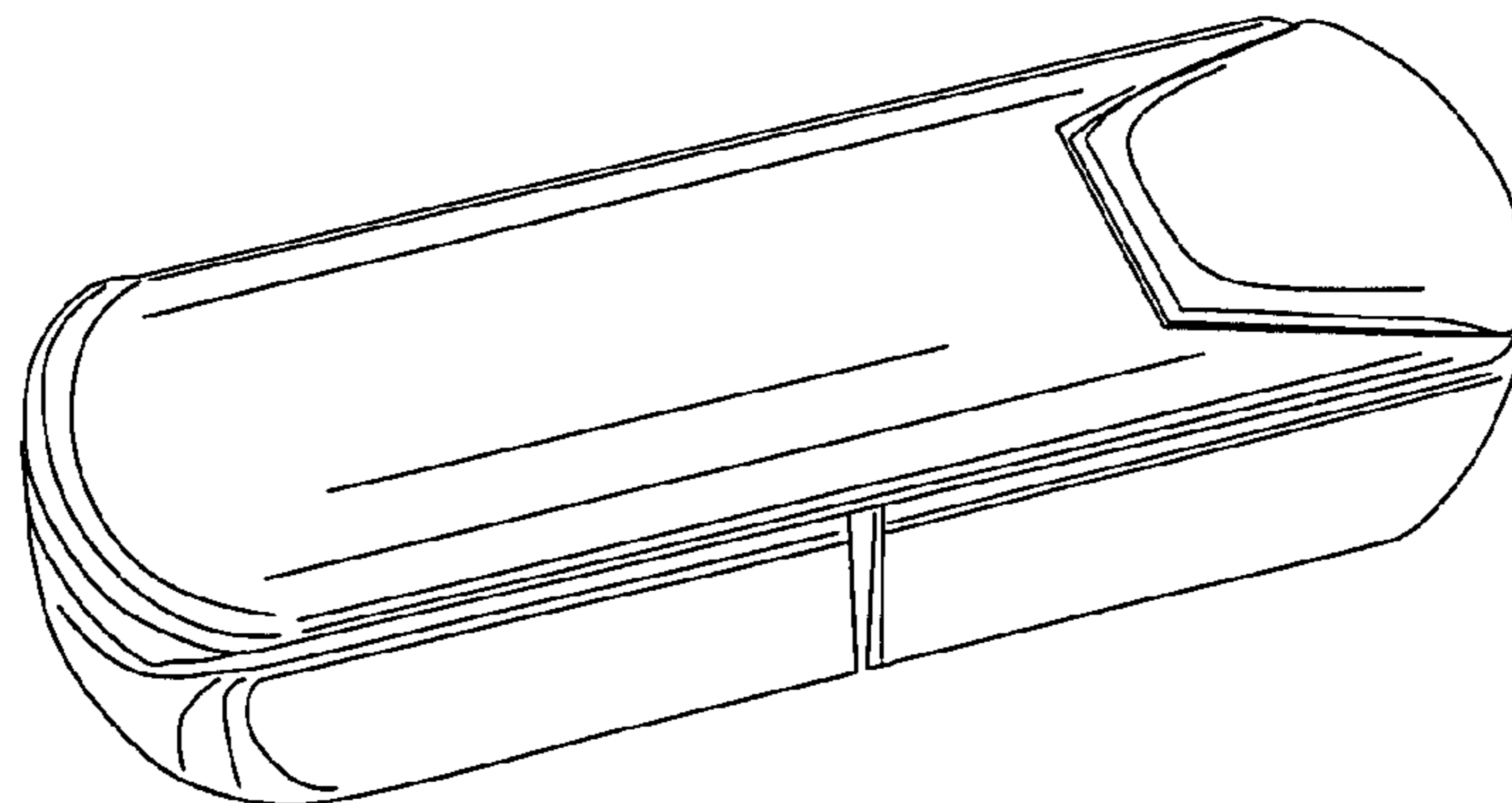
FIG. 5 is an end view of FIG. 1;

FIG. 6 is a top view of FIG. 1;

FIG. 7 is a side view of FIG. 2; and,

FIG. 8 is an end view of FIG. 2.

1 Claim, 3 Drawing Sheets



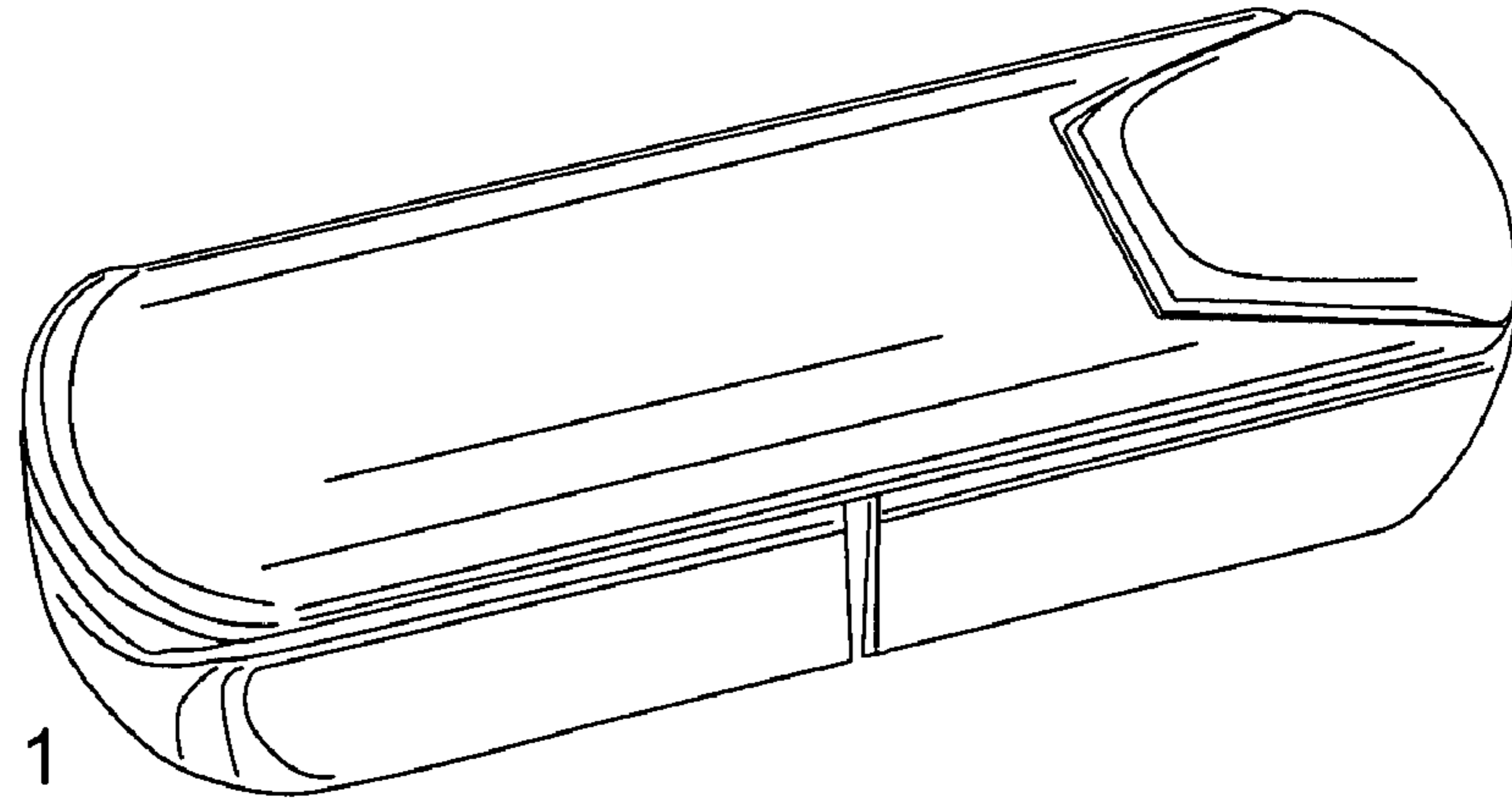


FIG. 1

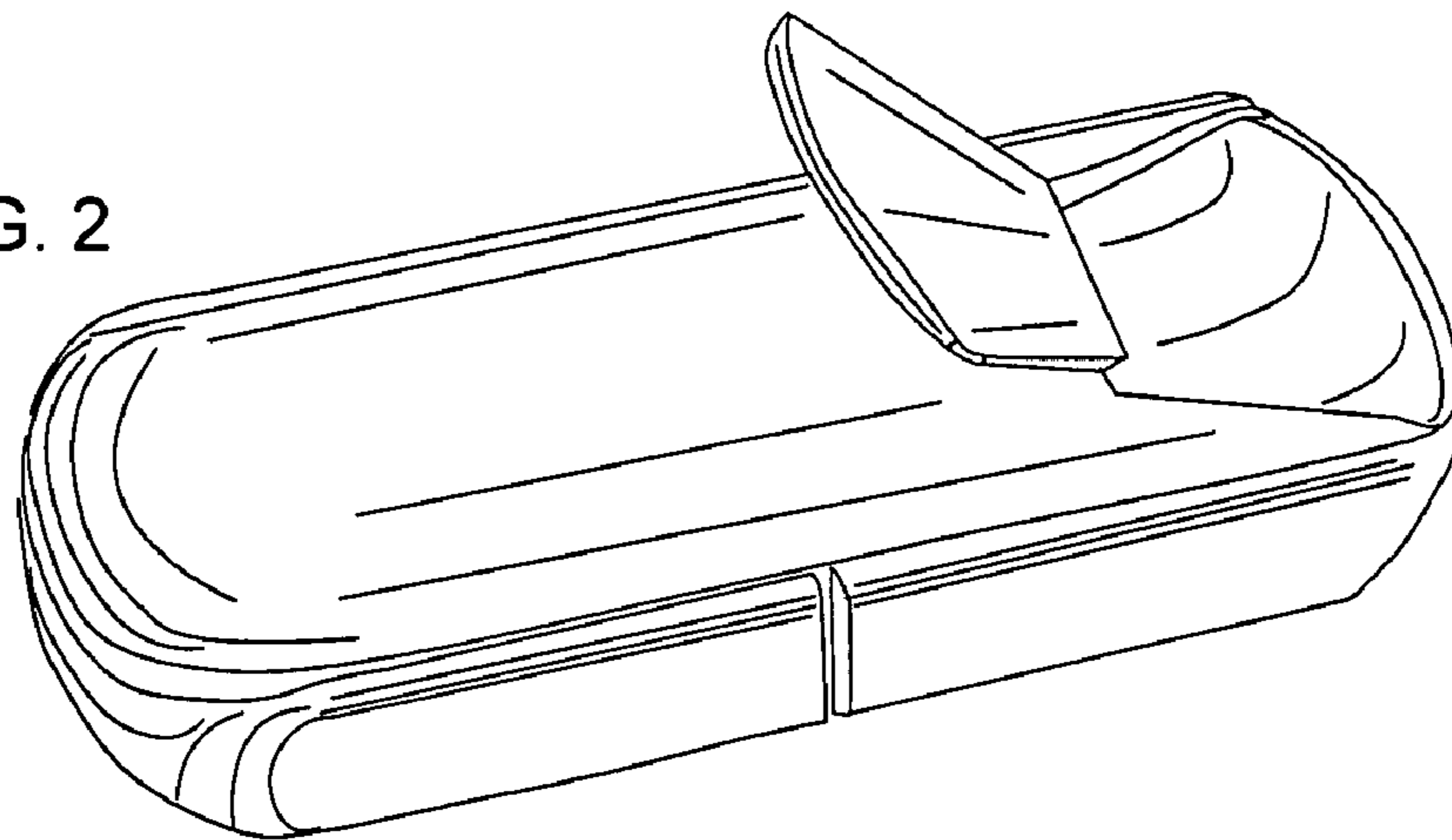


FIG. 2

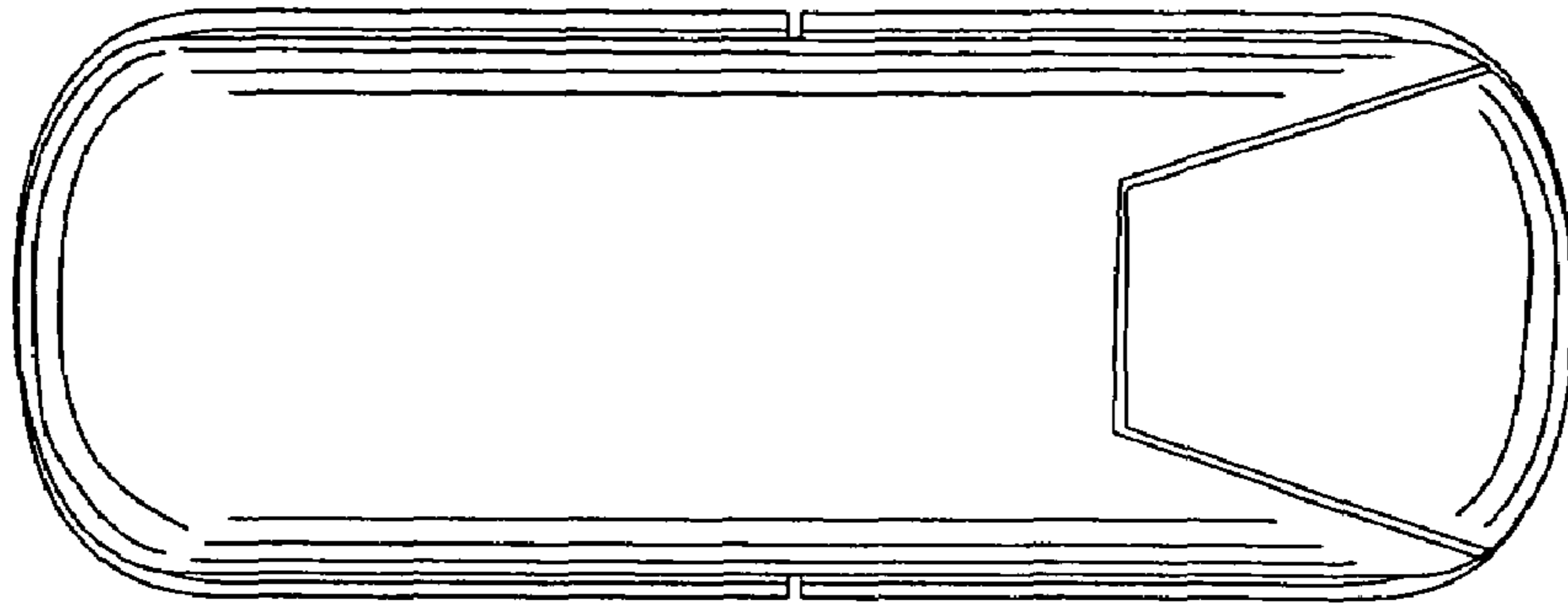


FIG. 3

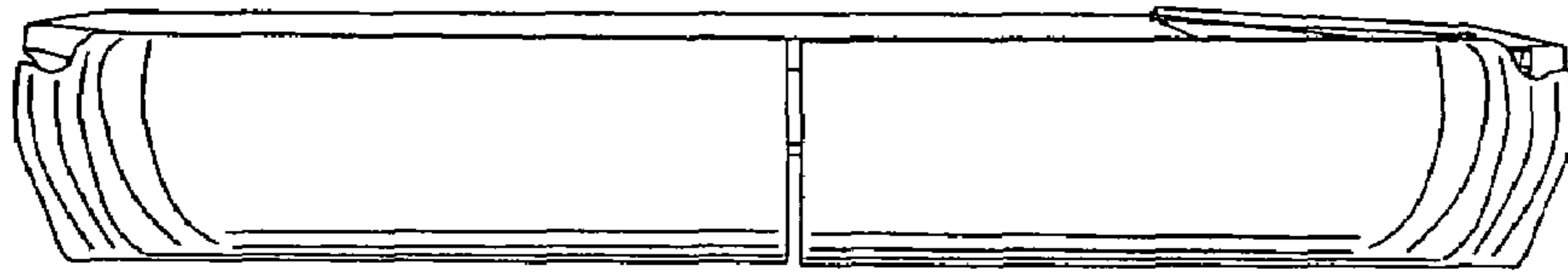


FIG. 4

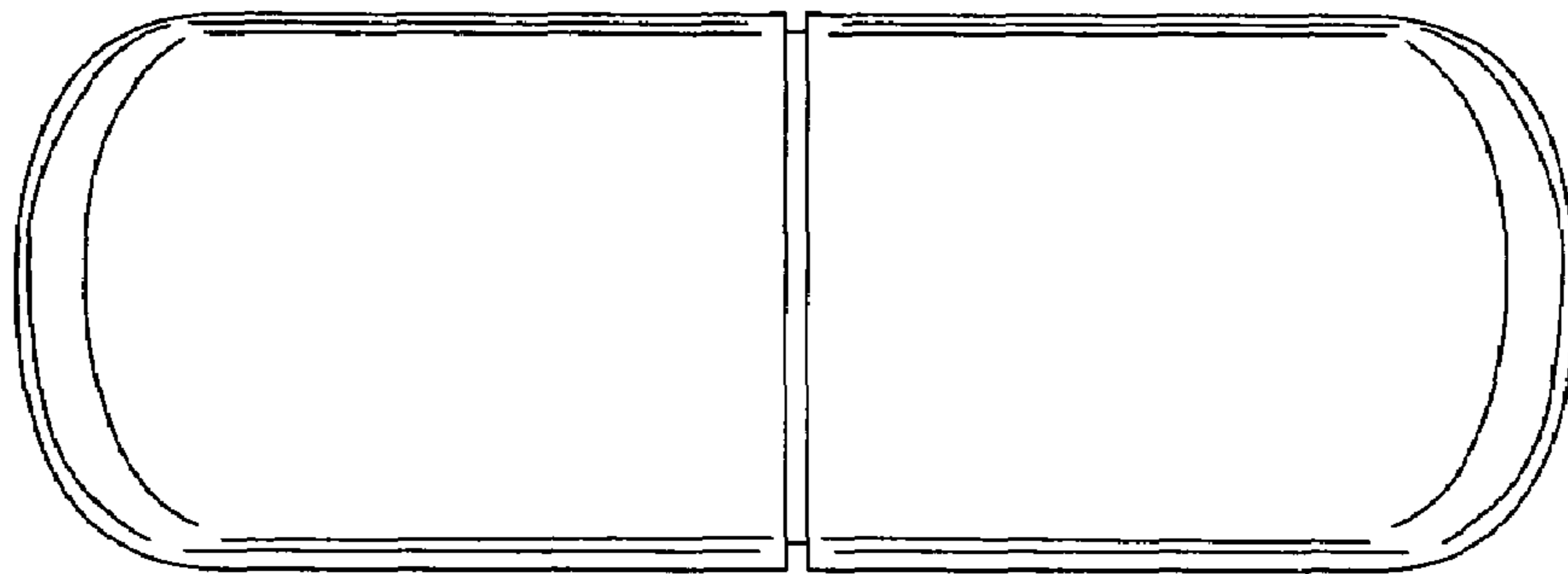


FIG. 5

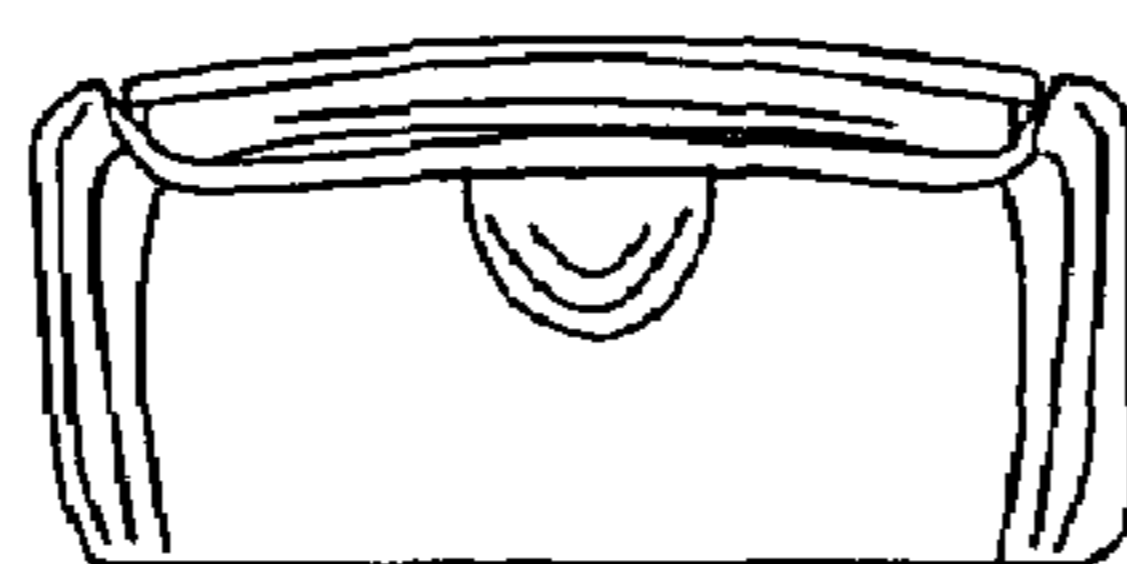


FIG. 6

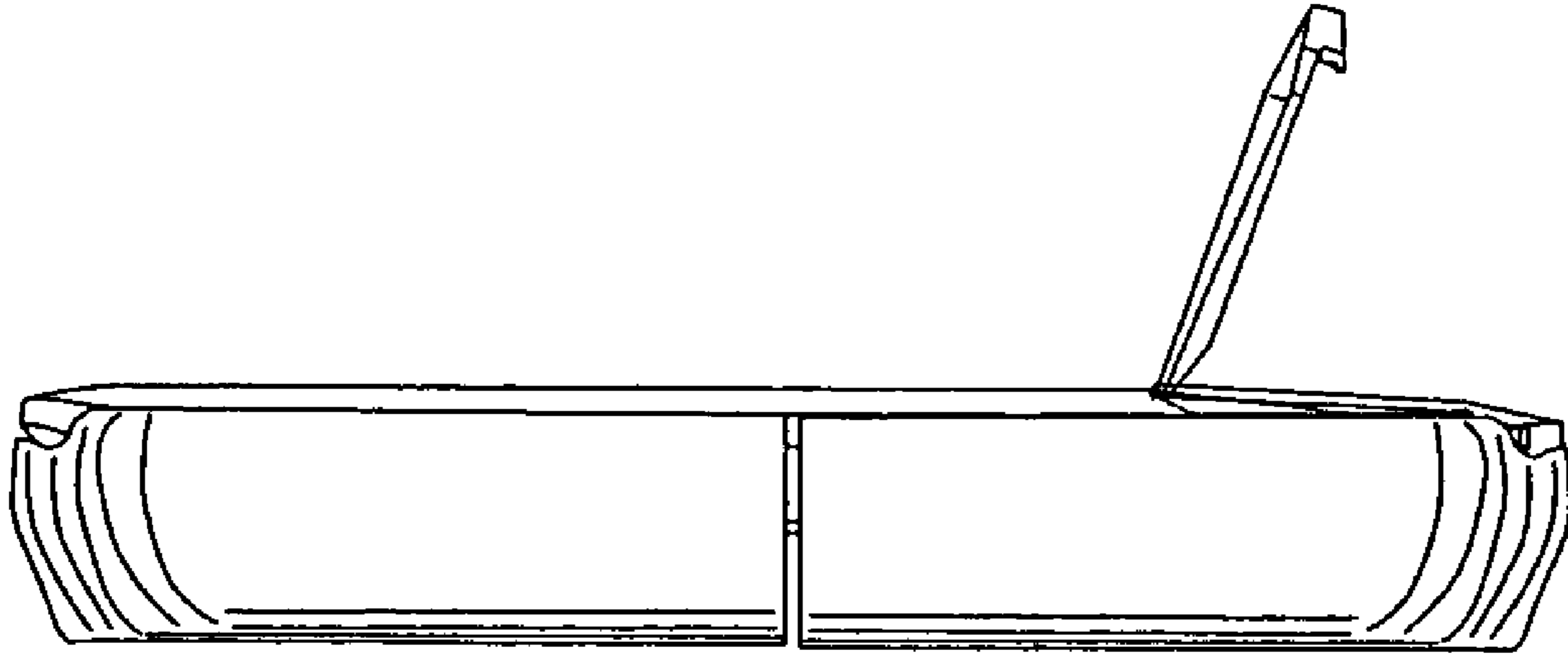


FIG. 7

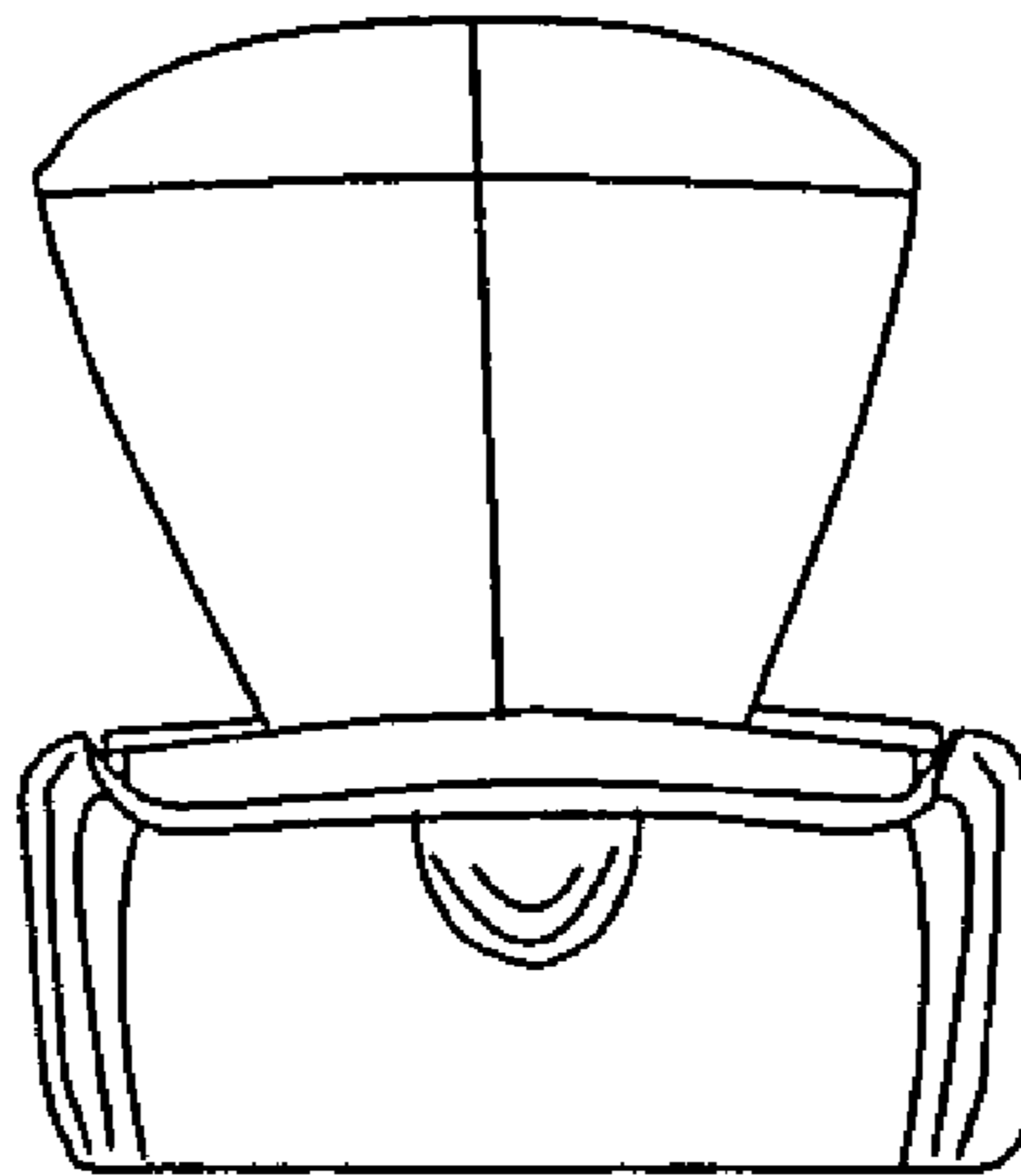


FIG. 8