



US00D561038S

(12) **United States Design Patent**
Yourist et al.

(10) **Patent No.:** **US D561,038 S**
(45) **Date of Patent:** **** Feb. 5, 2008**

- (54) **BOTTLE**
- (75) Inventors: **Sheldon Yourist**, York, PA (US); **April Peacock**, Hellam, PA (US)
- (73) Assignee: **Tropicana Products, Inc.**, Bradenton, FL (US)
- (**) Term: **14 Years**
- (21) Appl. No.: **29/243,438**
- (22) Filed: **Nov. 23, 2005**
- (51) **LOC (8) Cl.** **09-01**
- (52) **U.S. Cl.** **D9/541; D9/542; D9/564; D9/565; D9/570**
- (58) **Field of Classification Search** **D9/516, D9/520, 530, 537-546, 548-549, 551-552, D9/556-560, 564-565, 571-575, 682, 687-694; D7/509-511; 215/381-385, 396, 398**
See application file for complete search history.

CA	93049	7/2001
CA	93050	7/2001
CA	98496	1/2003
CA	2451200	1/2003
CA	98299	1/2004
CA	103575	3/2004
CA	101151	7/2004
CA	2514211	8/2004
CA	2107072	11/2004

* cited by examiner

Primary Examiner—Carol Rademaker
(74) *Attorney, Agent, or Firm*—Banner & Witcoff, Ltd.

(56) **References Cited**

U.S. PATENT DOCUMENTS

6,257,433	B1 *	7/2001	Ogg et al.	215/381
6,273,282	B1 *	8/2001	Ogg et al.	215/381
D473,144	S *	4/2003	Schuller et al.	D9/551
7,017,763	B2 *	3/2006	Kelley	215/383
D525,527	S *	7/2006	Ogg	D9/516
D533,782	S *	12/2006	Ogg et al.	D9/516
D533,786	S *	12/2006	Ogg et al.	D9/564 X
D536,258	S *	2/2007	Ogg et al.	D9/564
D538,671	S *	3/2007	O'Danahue	D9/538
D547,670	S *	7/2007	Heisner	D9/565 X
2004/0195200	A1 *	10/2004	Bourque et al.	215/384
2006/0091102	A1 *	5/2006	Bourque et al.	215/382
2006/0151425	A1 *	7/2006	Kelley et al.	215/381
2006/0207962	A1 *	9/2006	Coley et al.	215/384
2007/0045222	A1 *	3/2007	Denner et al.	215/382
2007/0095785	A1 *	5/2007	Ishikawa et al.	215/398

FOREIGN PATENT DOCUMENTS

CA	84635	8/1998
CA	85004	10/1998
CA	85656	1/1999
CA	86120	3/1999
CA	2290044	5/2000

(57) **CLAIM**

The ornamental design for a bottle, as shown and described.

DESCRIPTION

FIG. 1 is a top, front, and right side perspective view of a first embodiment of a bottle depicting the new design;

FIG. 2 is a front elevational view thereof, the rear elevational view being a mirror image;

FIG. 3 is a right side elevational view thereof, the left side elevational view being a mirror image;

FIG. 4 is a top plan view thereof;

FIG. 5 is a bottom plan view thereof.

FIG. 6 is a top, front, and right side perspective view of a second embodiment of a bottle depicting the new design;

FIG. 7 is a front elevational view thereof, the rear elevational view being a mirror image;

FIG. 8 is a right side elevational view thereof, the left side elevational view being a mirror image;

FIG. 9 is a top plan view thereof; and,

FIG. 10 is a bottom plan view thereof.

The dash lines shown in the drawings are for illustrative purposes only and form no part of the claimed design.

The dot-dash-dot lines shown in the drawings define the boundary of the claim and form no part of the claimed design.

1 Claim, 8 Drawing Sheets

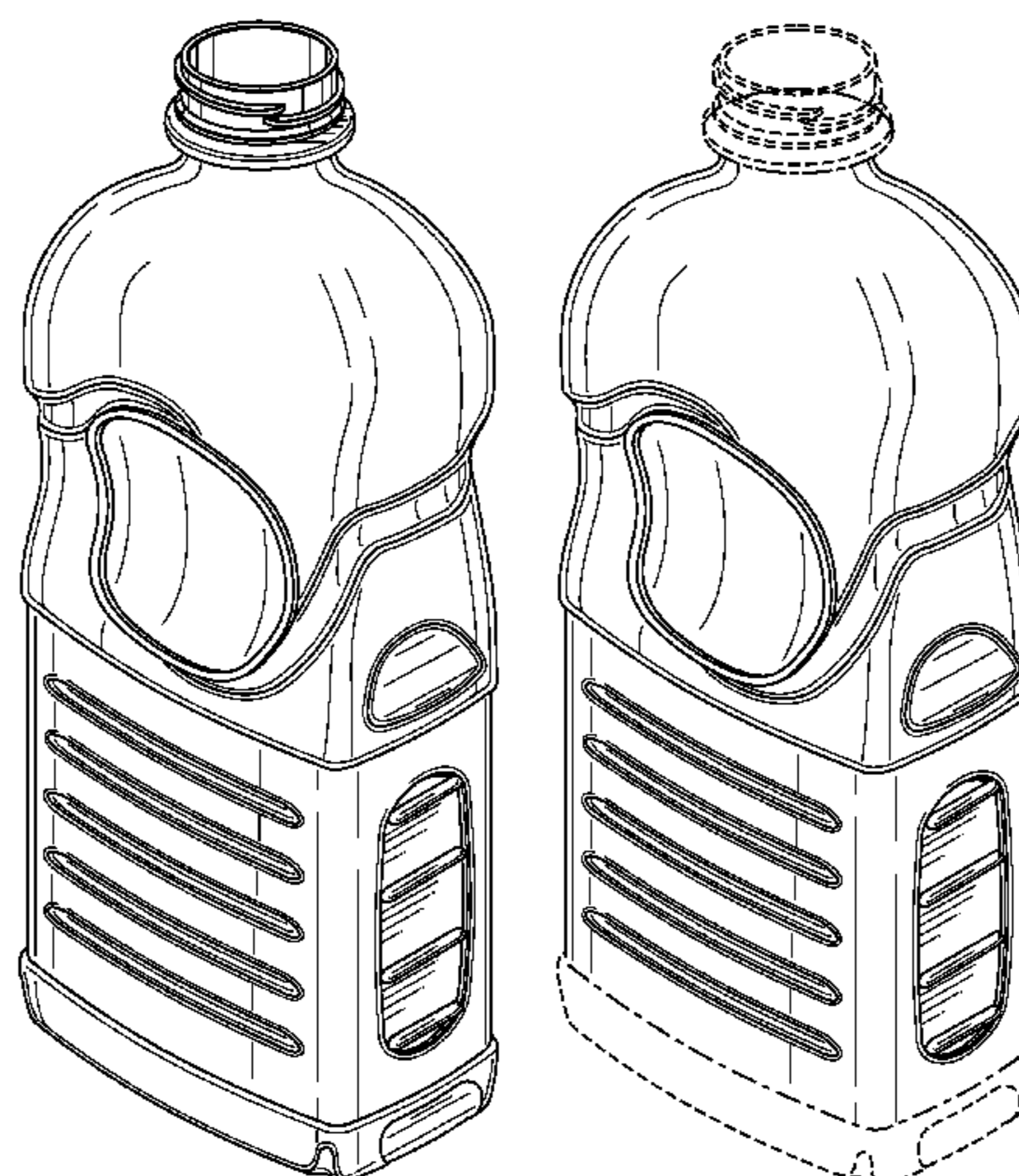


Fig. 1

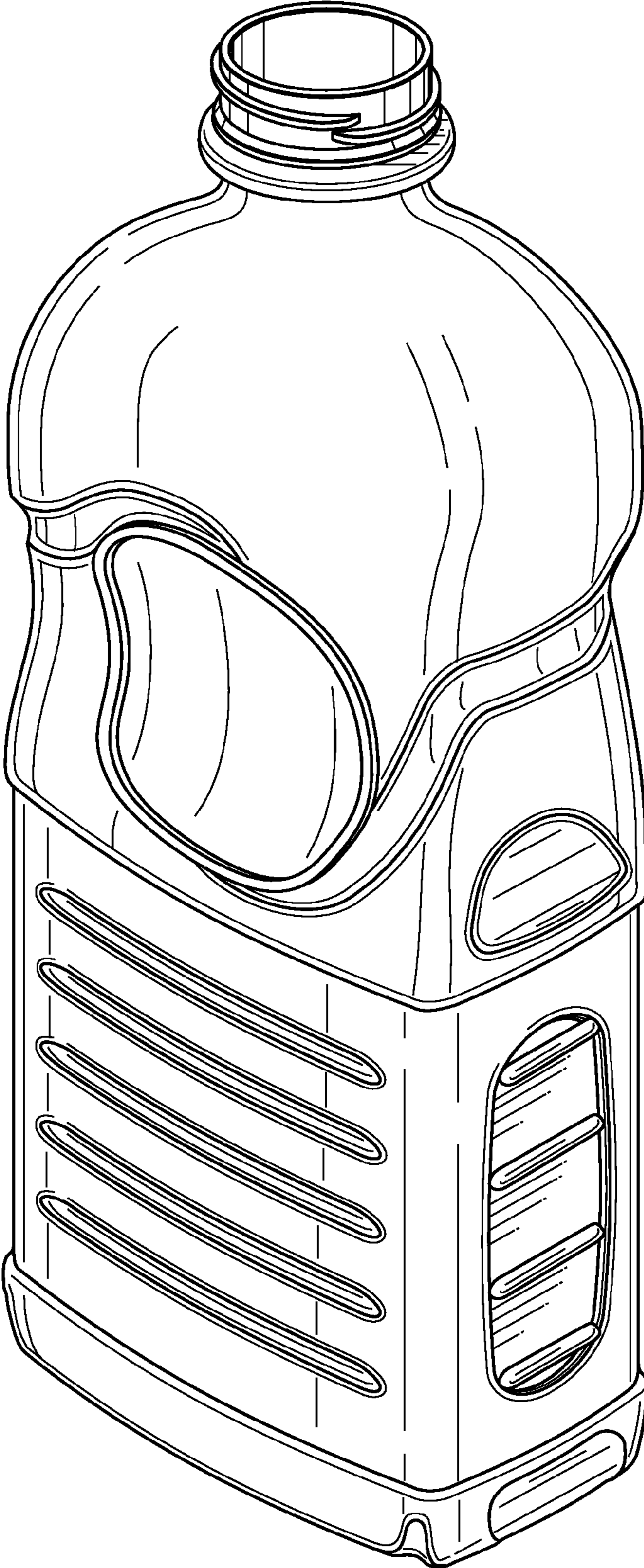


Fig. 2

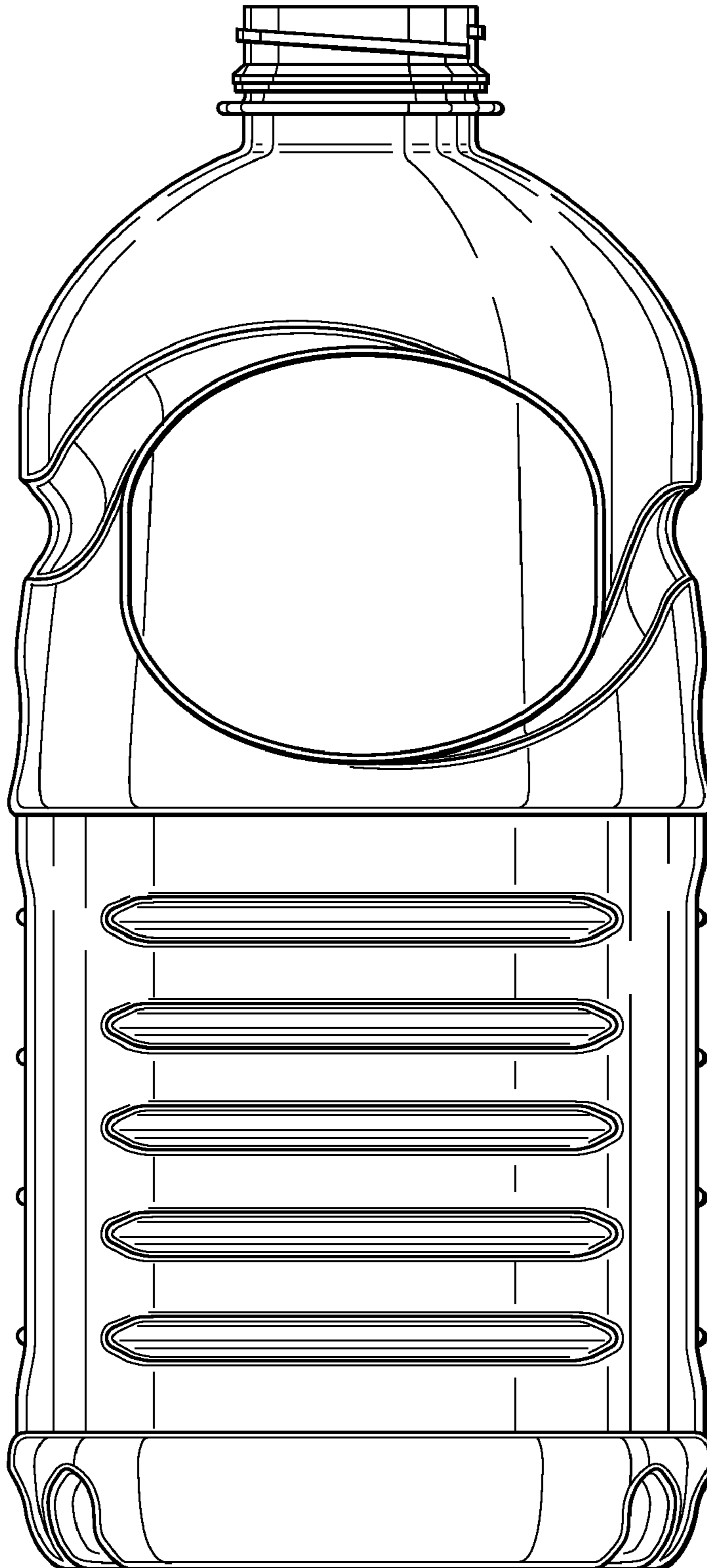


Fig. 3

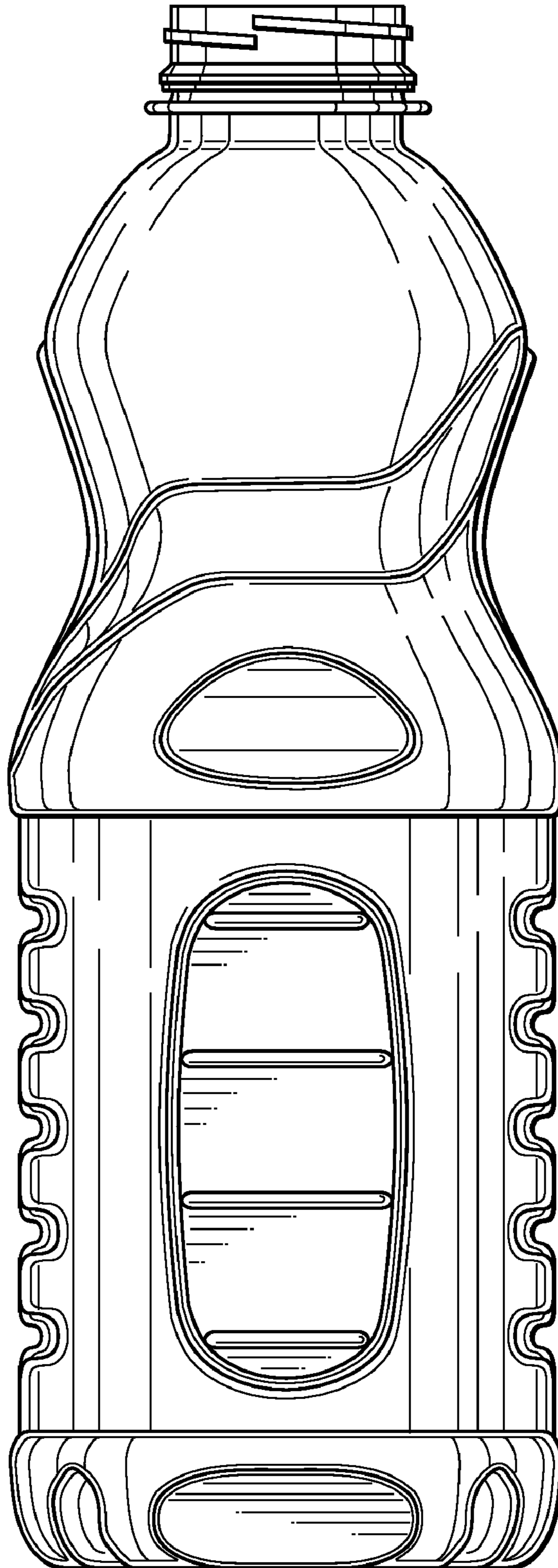


Fig. 4

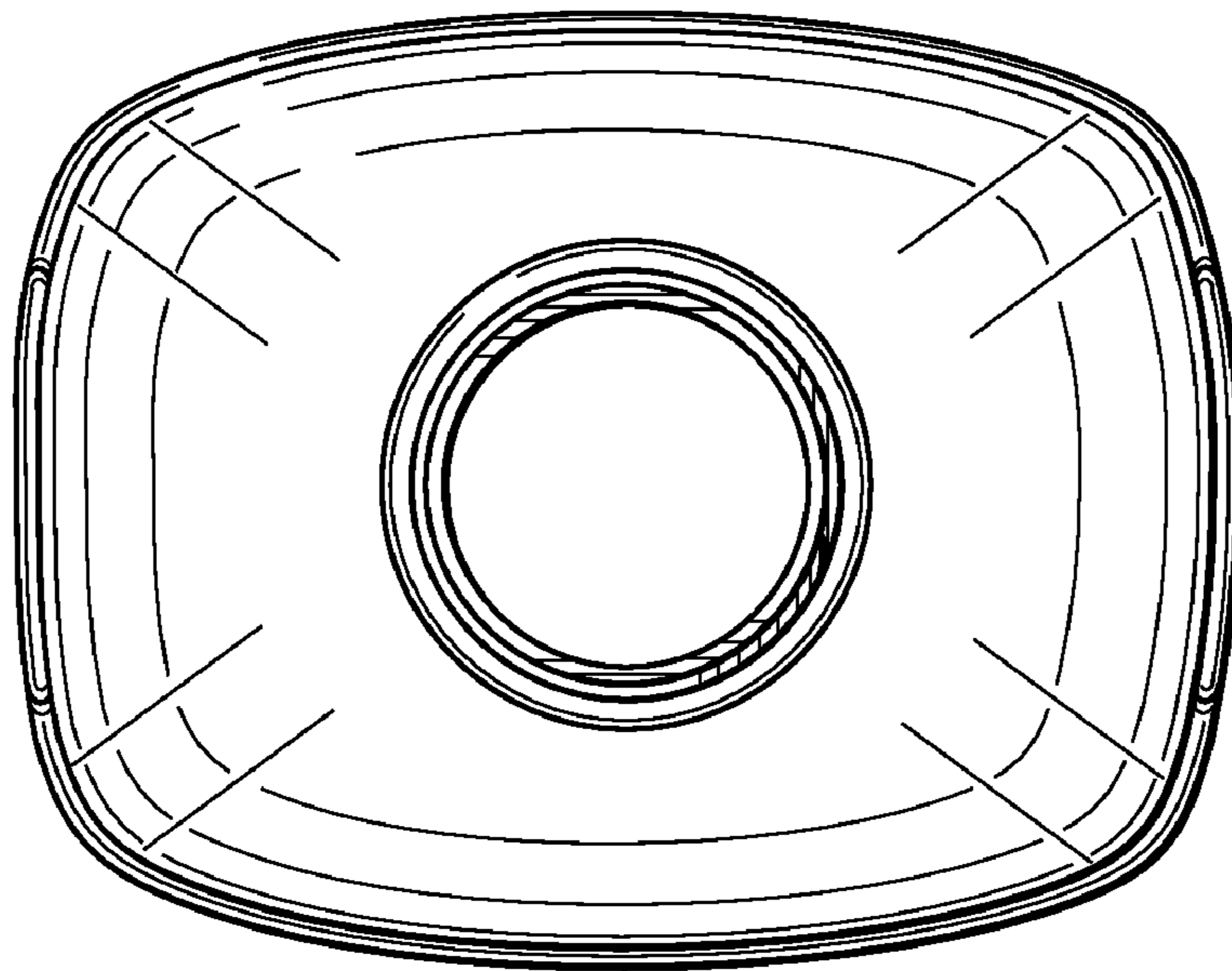


Fig. 5

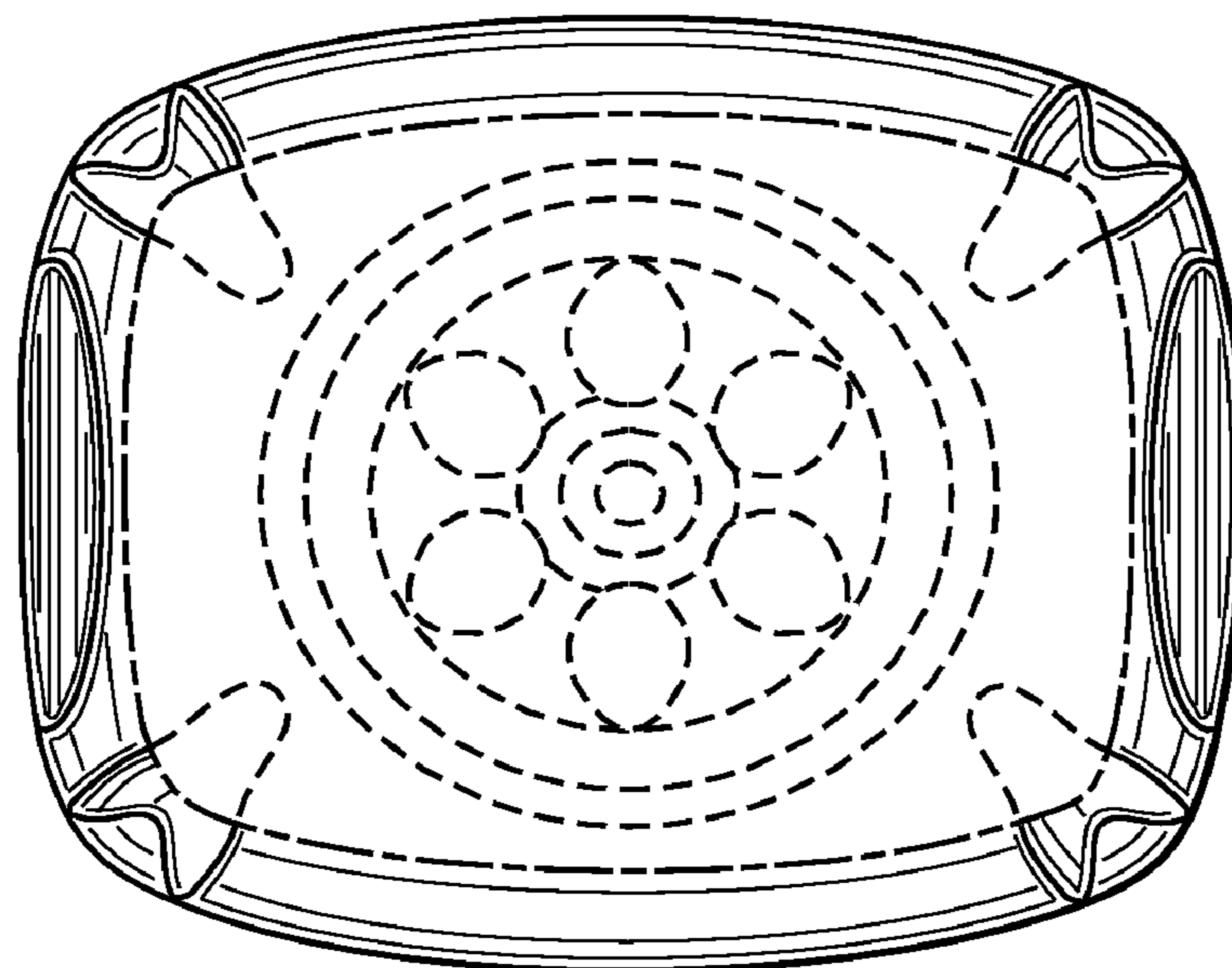


Fig. 6

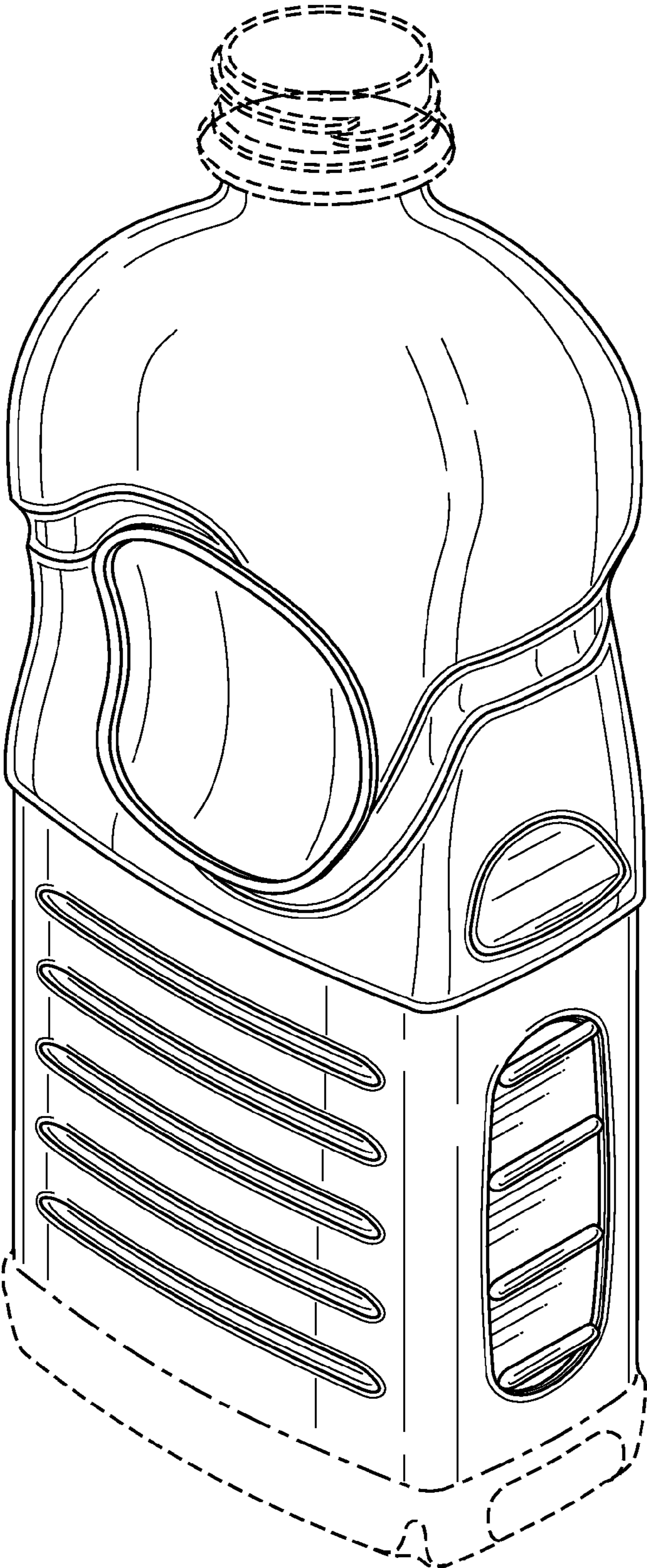


Fig. 7

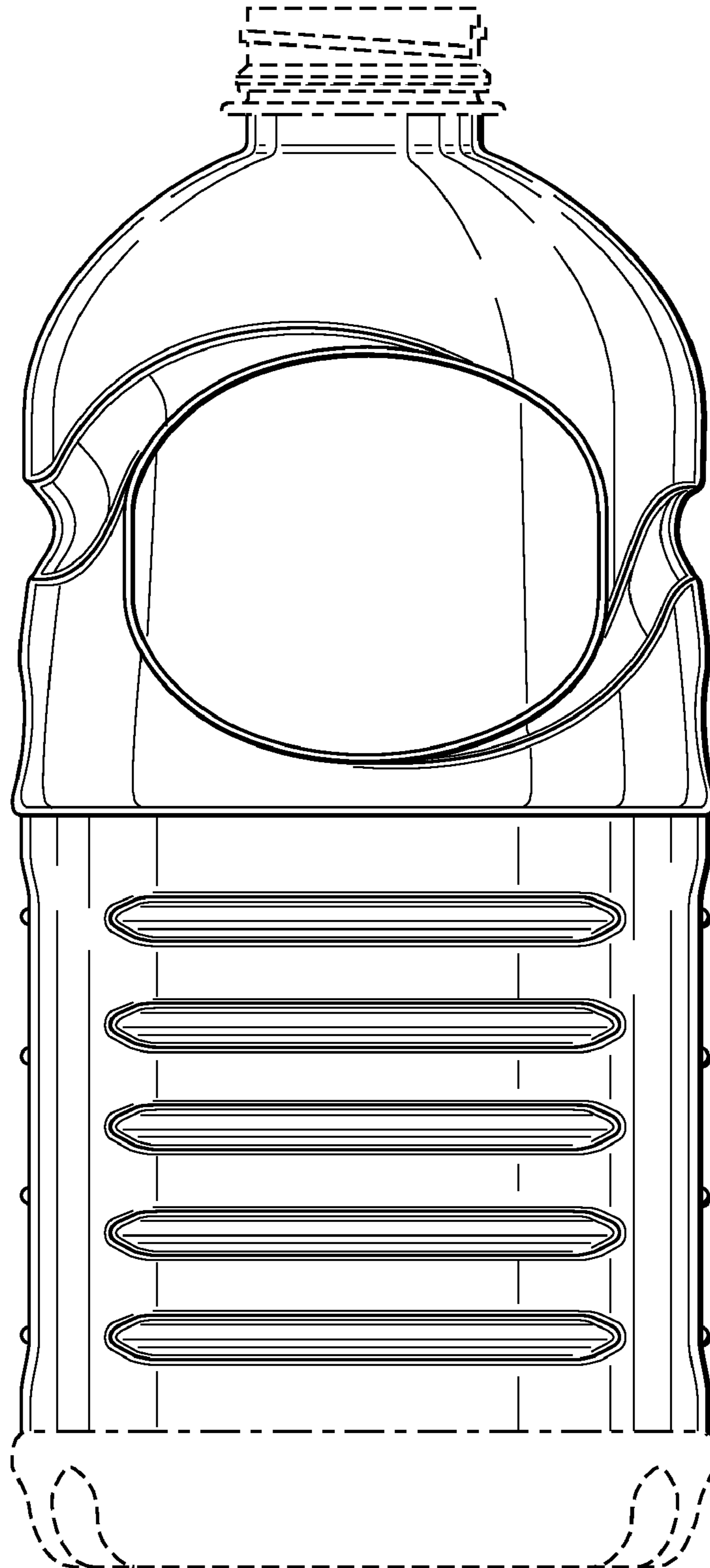


Fig. 8

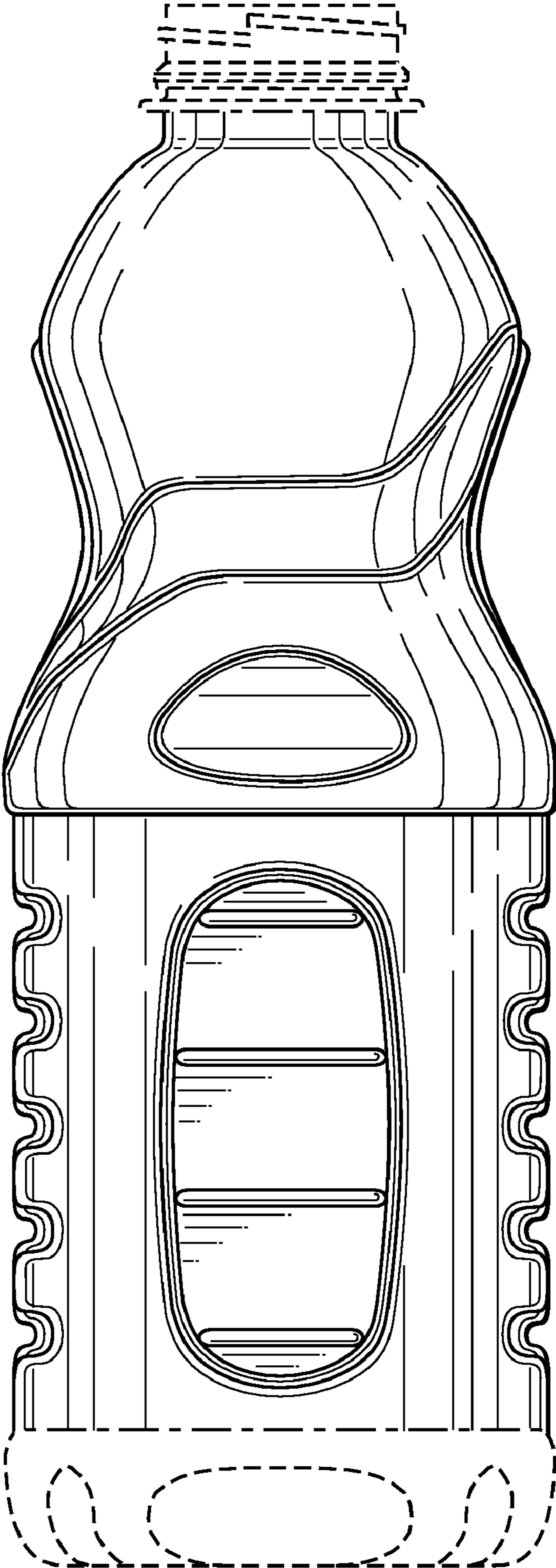


Fig. 9

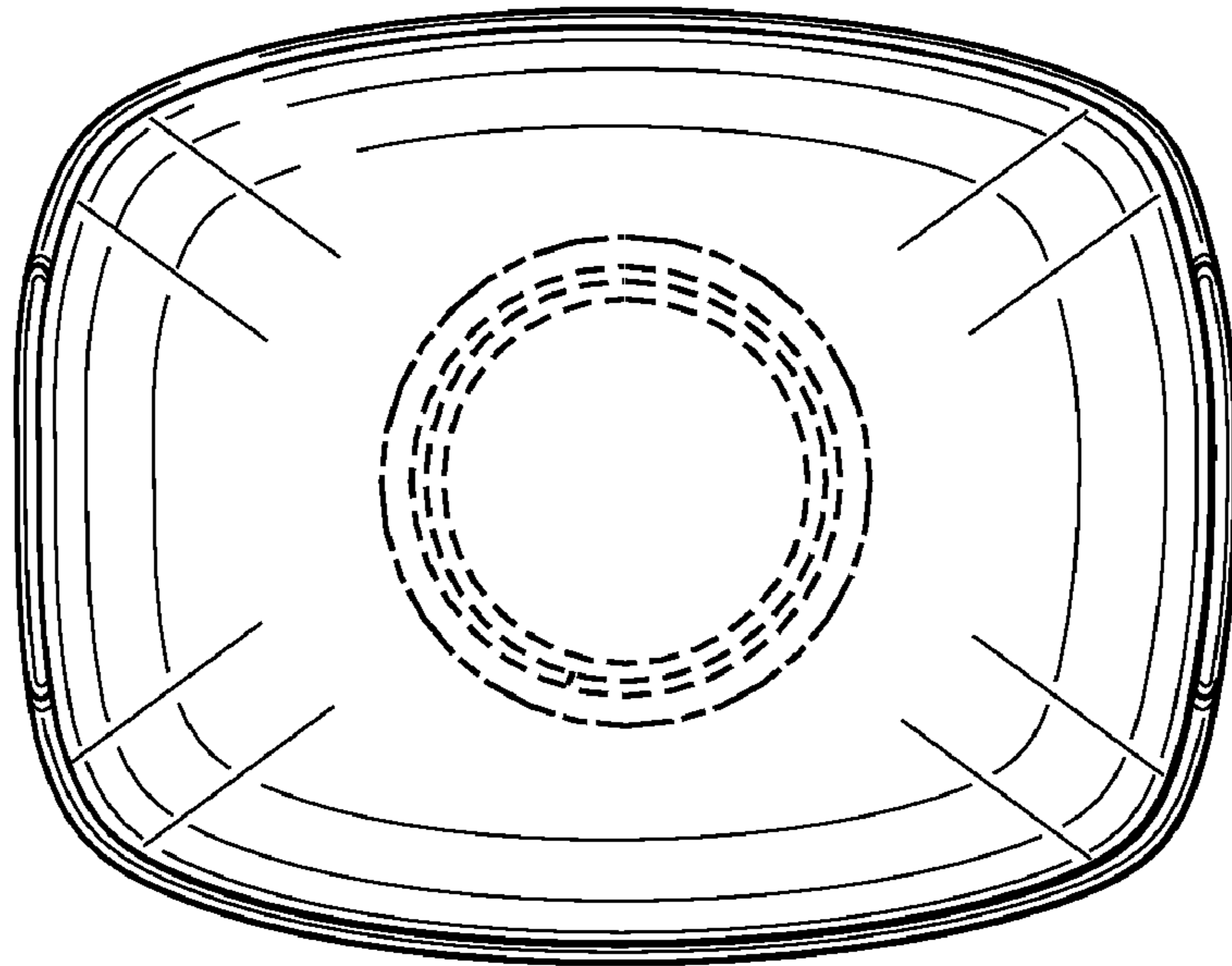


Fig. 10

