



US00D561037S

(12) **United States Design Patent**  
**Boon**

(10) **Patent No.:** **US D561,037 S**

(45) **Date of Patent:** **\*\* Feb. 5, 2008**

(54) **BOTTLE**

(75) Inventor: **Yen Heng Boon**, Jalan Bukit Ho Swee (SG)

(73) Assignee: **Stokely-Van Camp, Inc.**, Chicago, IL (US)

(\*\*) Term: **14 Years**

(21) Appl. No.: **29/261,686**

(22) Filed: **Jun. 19, 2006**

(51) **LOC (8) Cl.** ..... **09-01**

(52) **U.S. Cl.** ..... **D9/539; D9/551; D9/558; D9/667**

(58) **Field of Classification Search** ..... D9/516, D9/520, 530, 537-546, 548-549, 551-552, D9/556-560, 564-565, 571-575, 667, 682, D9/687-694; D7/509-511; 215/381-385, 215/396, 398

See application file for complete search history.

(56) **References Cited**

**U.S. PATENT DOCUMENTS**

D226,178 S *	1/1973	Bystedt	.....	D9/551 X
D393,208 S *	4/1998	Wilson et al.	.....	D9/538
D442,474 S *	5/2001	Piccioli et al.	.....	D9/667
D470,773 S *	2/2003	Darr et al.	.....	D9/538
D480,957 S *	10/2003	Mooney et al.	.....	D9/551 X
D497,797 S *	11/2004	Knight et al.	.....	D9/667
D502,877 S *	3/2005	Stockwell et al.	.....	D9/667
D508,207 S *	8/2005	Knight et al.	.....	D9/667
D511,973 S *	11/2005	Stockwell et al.	.....	D9/667

D512,326 S *	12/2005	Stockwell et al.	.....	D9/667
D512,327 S *	12/2005	Stockwell et al.	.....	D9/667
D515,430 S *	2/2006	Venkataraman et al.	.....	D9/538
D516,922 S *	3/2006	Stockwell et al.	.....	D9/667
D519,036 S *	4/2006	Stockwell et al.	.....	D9/667
D530,619 S *	10/2006	Stockwell et al.	.....	D9/551
D535,885 S *	1/2007	Davis et al.	.....	D9/538
D536,618 S *	2/2007	Davis et al.	.....	D9/538
7,191,910 B2 *	3/2007	Deemer et al.	.....	215/381
D547,199 S *	7/2007	Dill et al.	.....	D9/667

\* cited by examiner

*Primary Examiner*—Carol Rademaker

(74) *Attorney, Agent, or Firm*—Banner & Witcoff, Ltd.

(57) **CLAIM**

The ornamental design for a bottle, as shown and described.

**DESCRIPTION**

FIG. 1 is a top, front, and right side perspective view of a first embodiment of a bottle depicting the new design;

FIG. 2 is a right side elevational view thereof;

FIG. 3 is a front elevational view thereof;

FIG. 4 is a top plan view thereof;

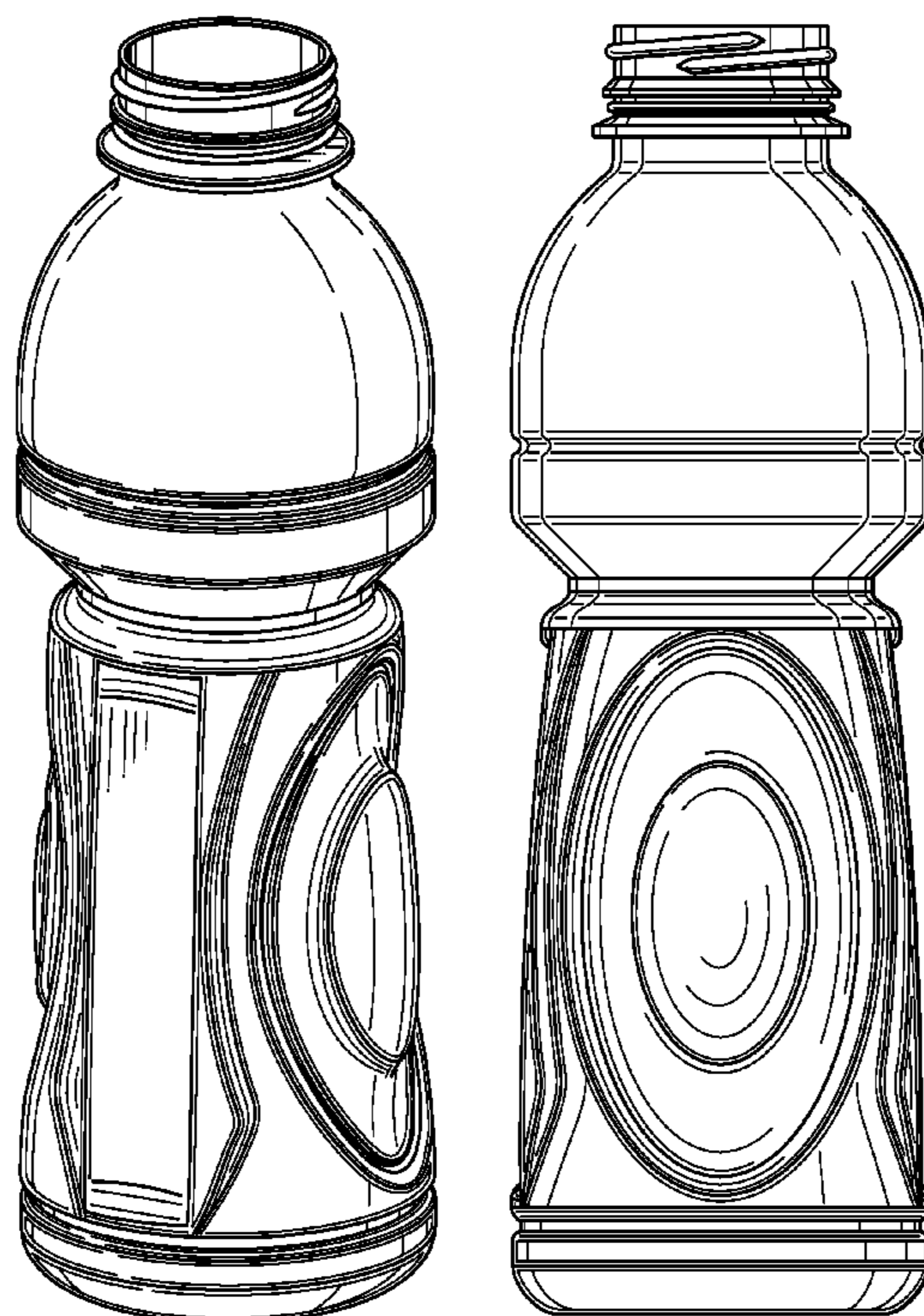
FIG. 5 is a top, front, and right side perspective view of a second embodiment of a bottle depicting the new design;

FIG. 6 is a right side elevational view thereof;

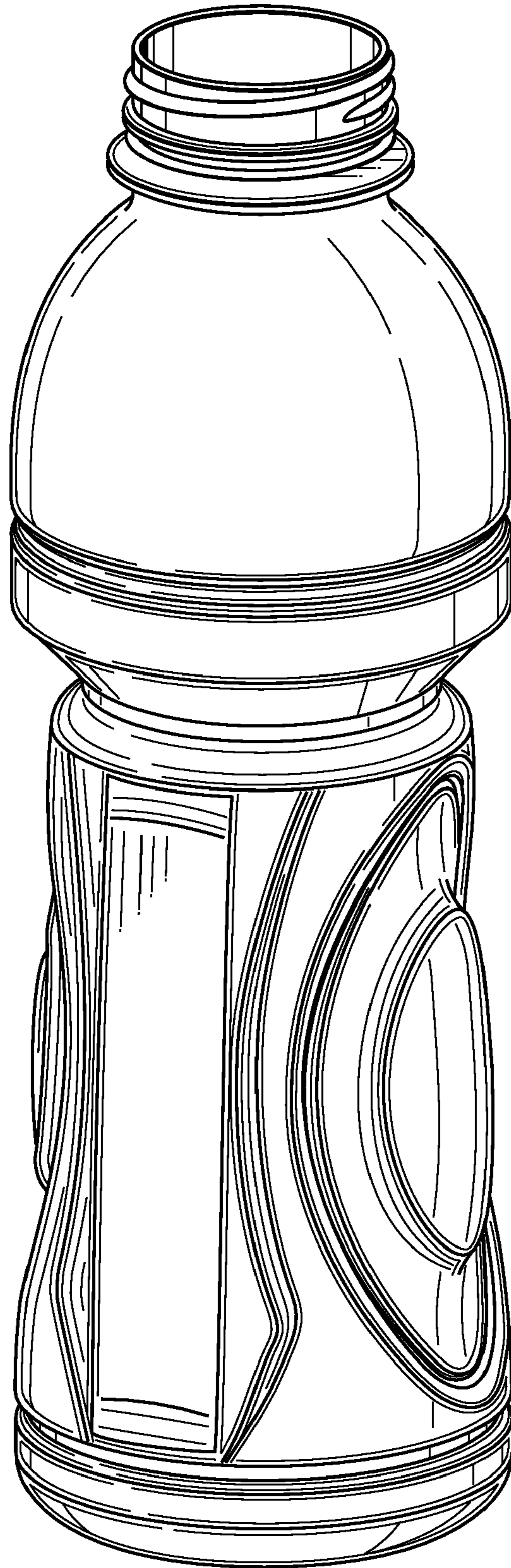
FIG. 7 is a front elevational view thereof; and,

FIG. 8 is a top plan view thereof.

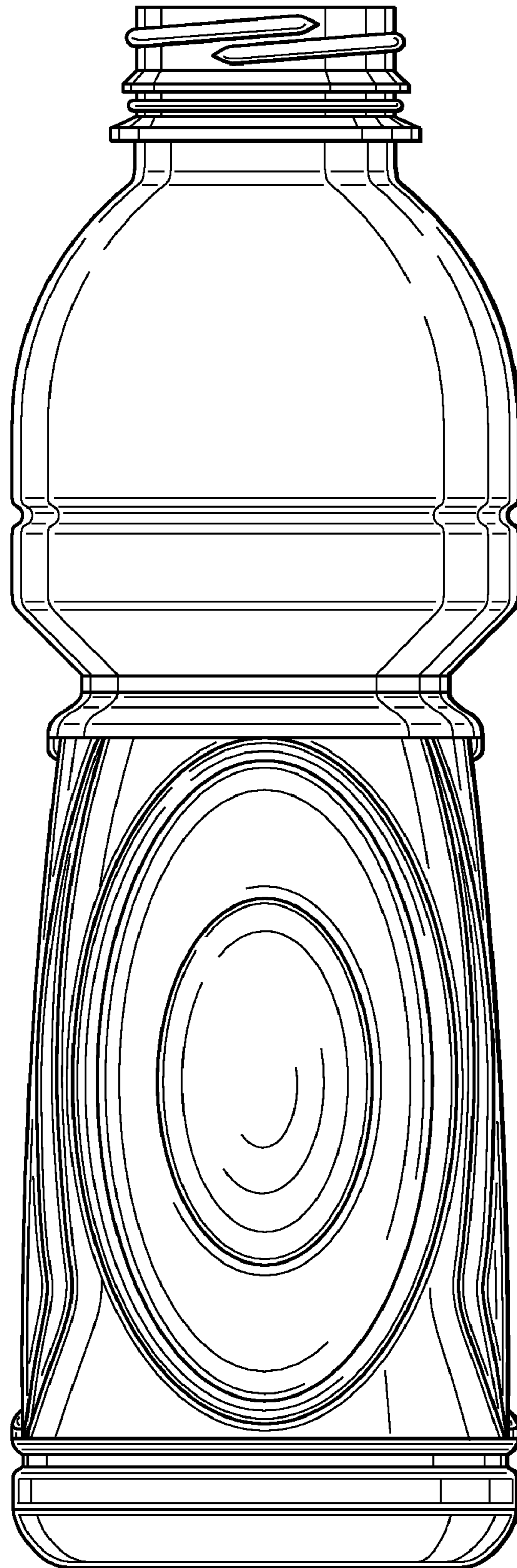
**1 Claim, 8 Drawing Sheets**



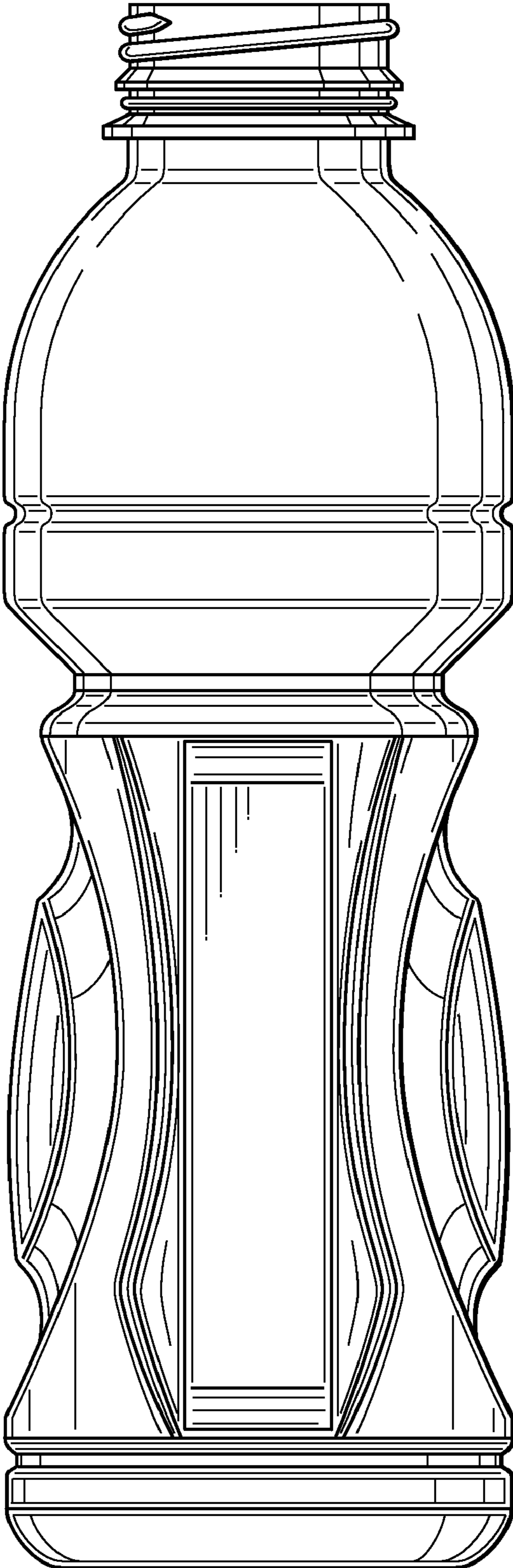
***Fig. 1***



**Fig. 2**

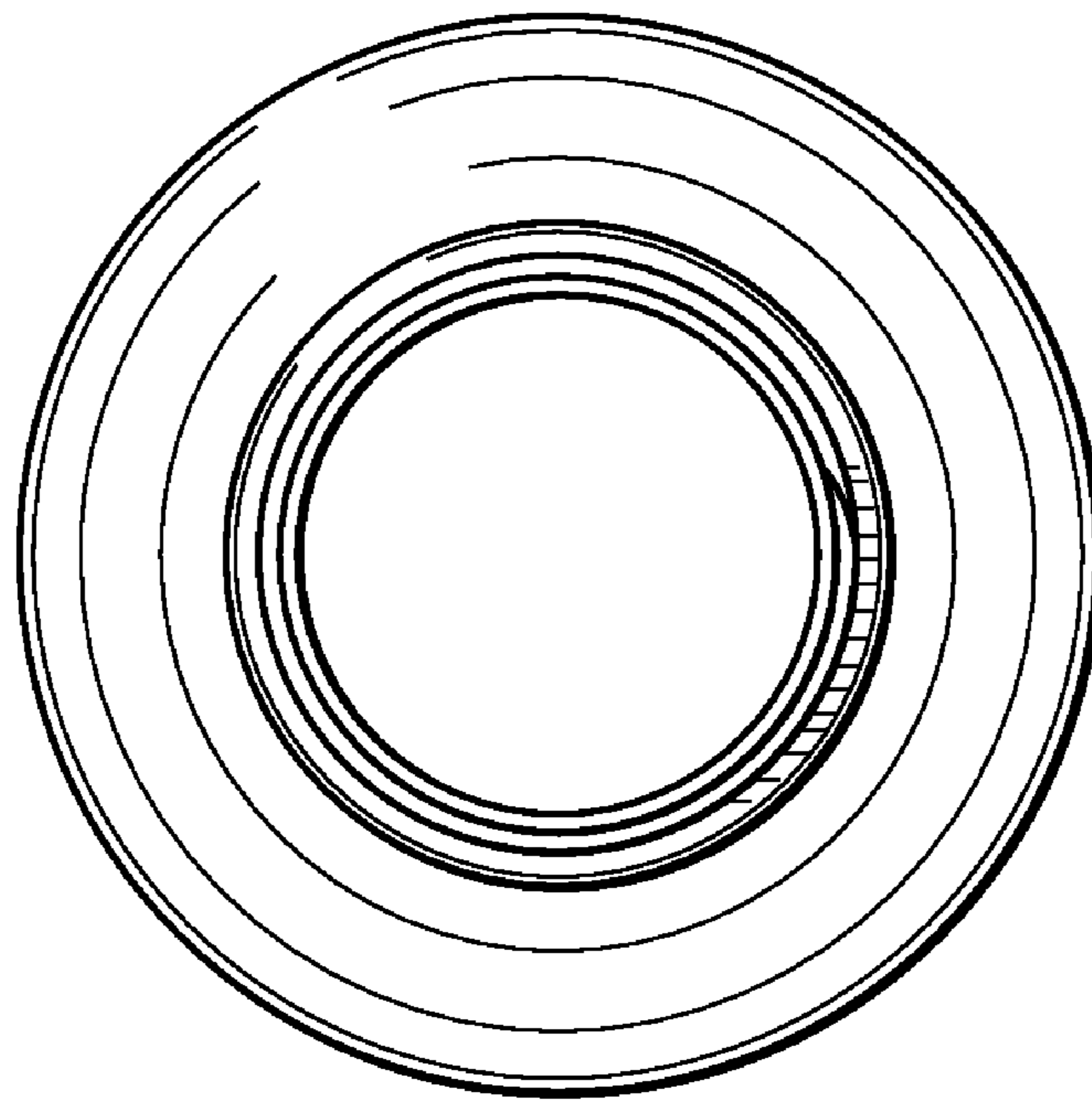


**Fig. 3**

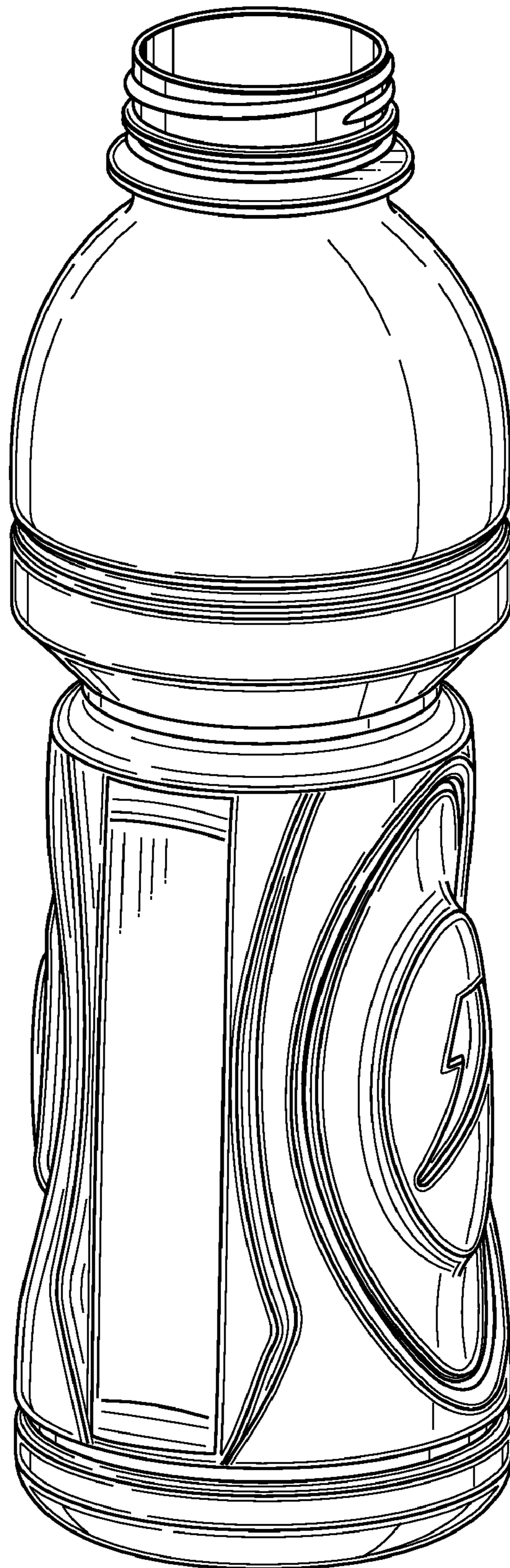




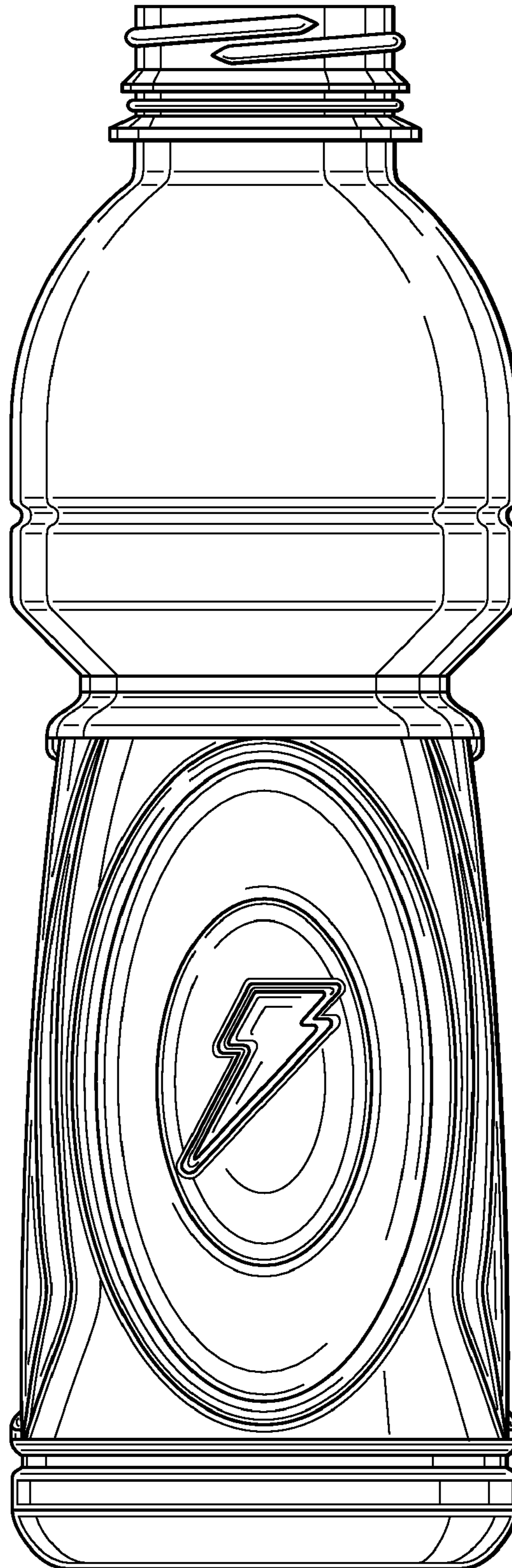
***Fig. 4***



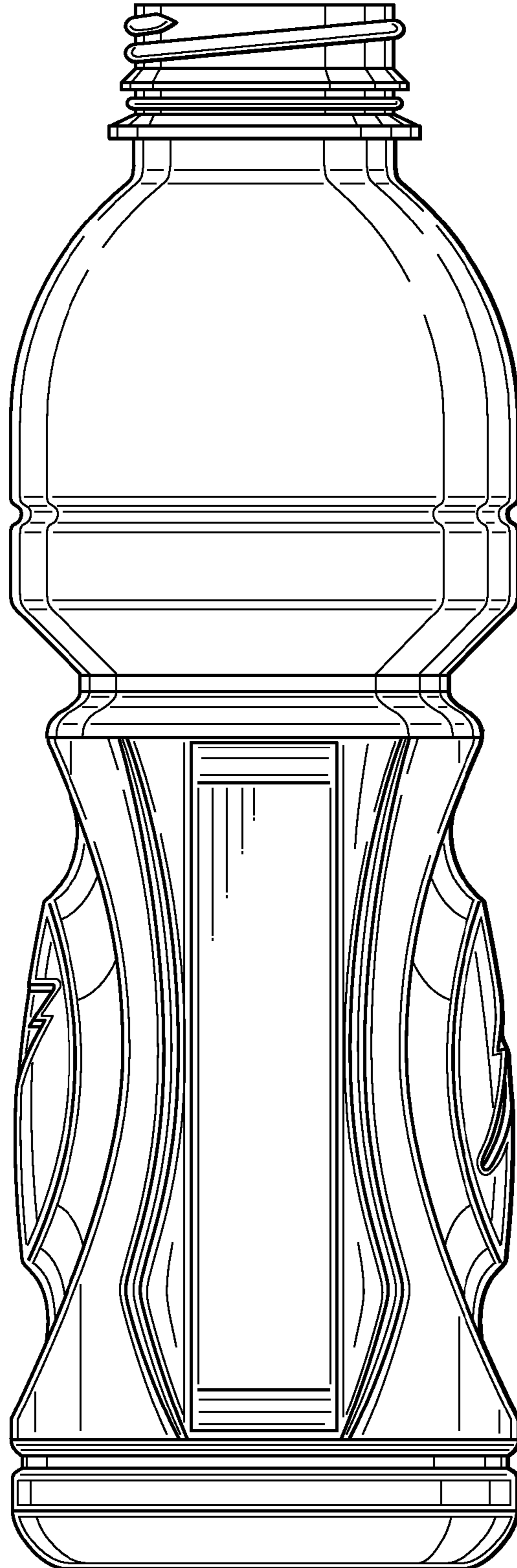
***Fig. 5***



**Fig. 6**



**Fig. 7**





***Fig. 8***

