

US00D561032S

(12) **United States Design Patent**
Fuchs

(10) **Patent No.:** **US D561,032 S**

(45) **Date of Patent:** **** Feb. 5, 2008**

(54) **PACKAGING**

(75) Inventor: **Dieter Fuchs**, Dissen (DE)

(73) Assignee: **DF World of Spices GmbH**, Dissen (DE)

(**) Term: **14 Years**

(21) Appl. No.: **29/259,844**

(22) Filed: **May 16, 2006**

(30) **Foreign Application Priority Data**

Dec. 15, 2005 (EM) 000448337

(51) **LOC (8) Cl.** **09-01**

(52) **U.S. Cl.** **D9/529; D9/502; D7/590; D7/679**

(58) **Field of Classification Search** D9/600, D9/643-645, 655-664, 500-504, 417, 516, D9/548-551, 559-561, 529; D7/591-597, D7/679; 206/457-458; 215/375, 400; 220/890; 229/116.1-116.3; 222/480
See application file for complete search history.

(56) **References Cited**

U.S. PATENT DOCUMENTS

3,093,272 A * 6/1963 Esthus 222/480
3,261,504 A * 7/1966 Sabaka 222/480
D269,316 S * 6/1983 Conti D7/591

4,541,541 A * 9/1985 Hickman et al. 222/480
D338,832 S * 8/1993 Osip et al. D9/502
5,269,432 A * 12/1993 Beckertgis 220/253
5,680,968 A * 10/1997 Moore 222/480
5,697,533 A * 12/1997 Shahbazian 222/480
5,799,838 A * 9/1998 Miller 222/480
D499,649 S * 12/2004 Olivares et al. D9/502

* cited by examiner

Primary Examiner—Sandra L. Morris

(74) *Attorney, Agent, or Firm*—Kilpatrick Stockton LLP

(57) **CLAIM**

The ornamental design for packaging, as shown and described.

DESCRIPTION

FIG. 1 is a side view of the packaging, showing the present invention;

FIG. 2 is another side view, with the top shown removed;

FIG. 3 is a top plan view of FIG. 1;

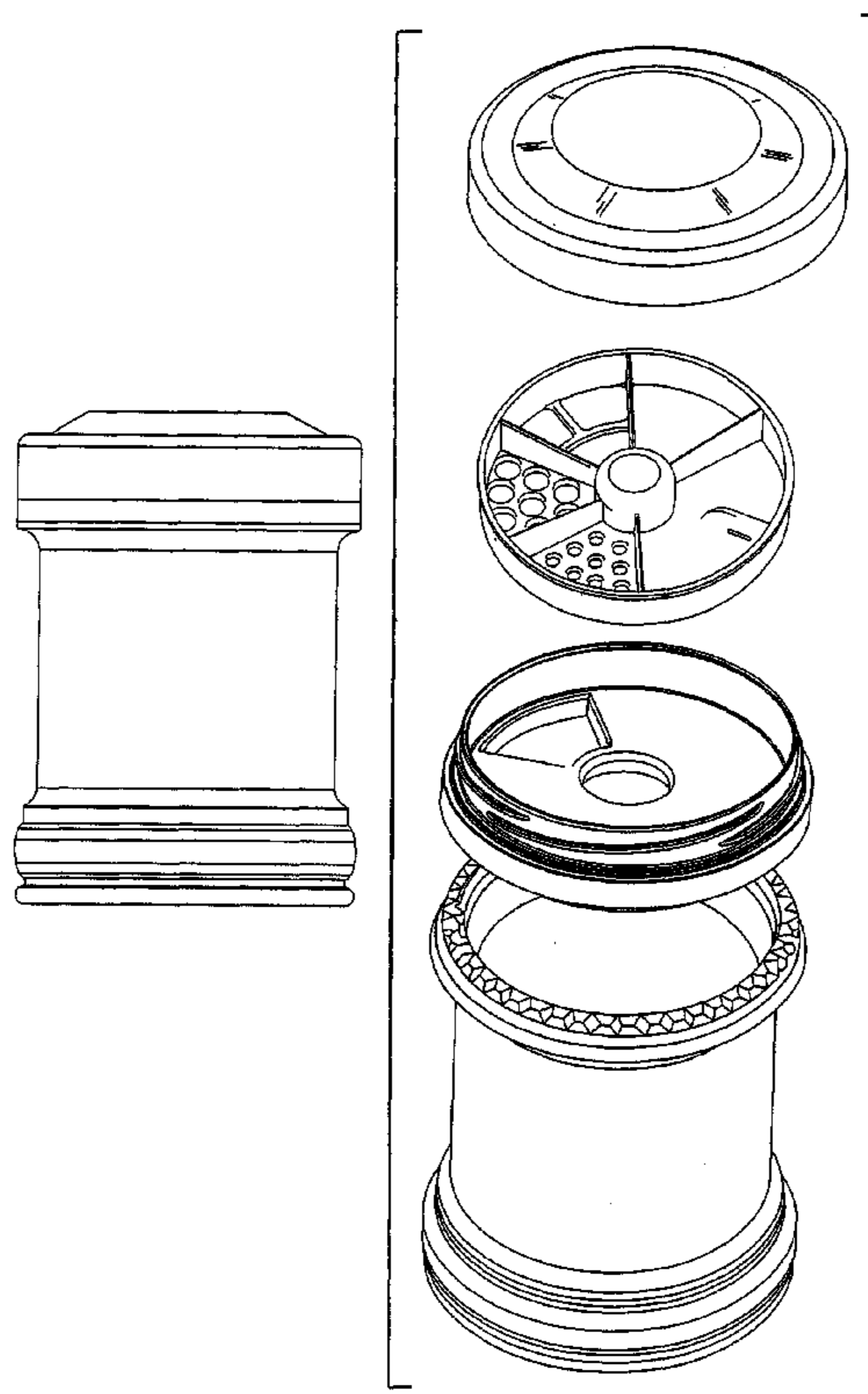
FIG. 4 is a perspective view, showing all of the components disassembled;

FIG. 5 is a side view of one component of the packaging, shown removed for ease of illustration;

FIG. 6 is an upper perspective view of FIG. 5; and,

FIG. 7 is a lower perspective view of FIG. 5.

1 Claim, 3 Drawing Sheets



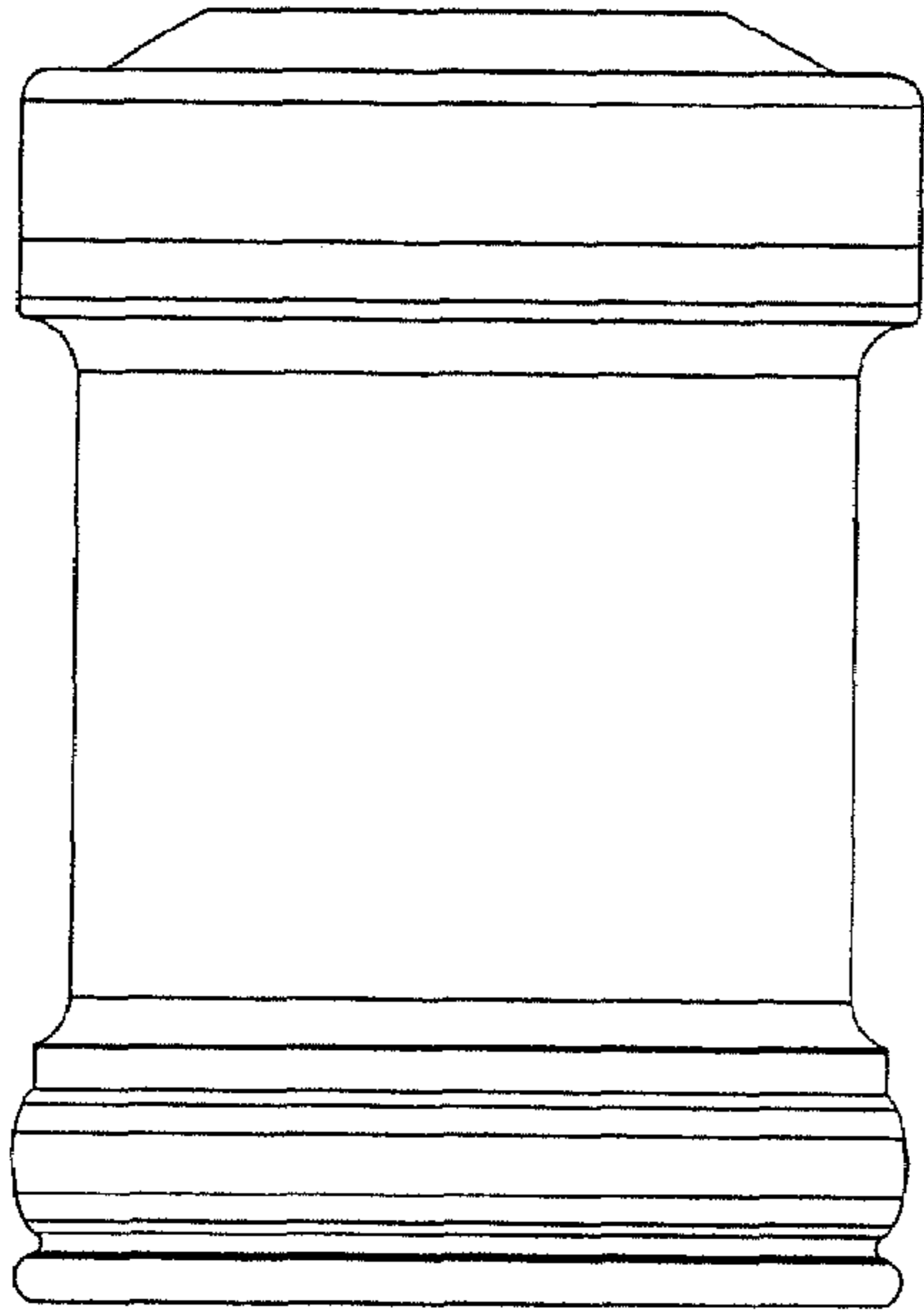


FIG. 1

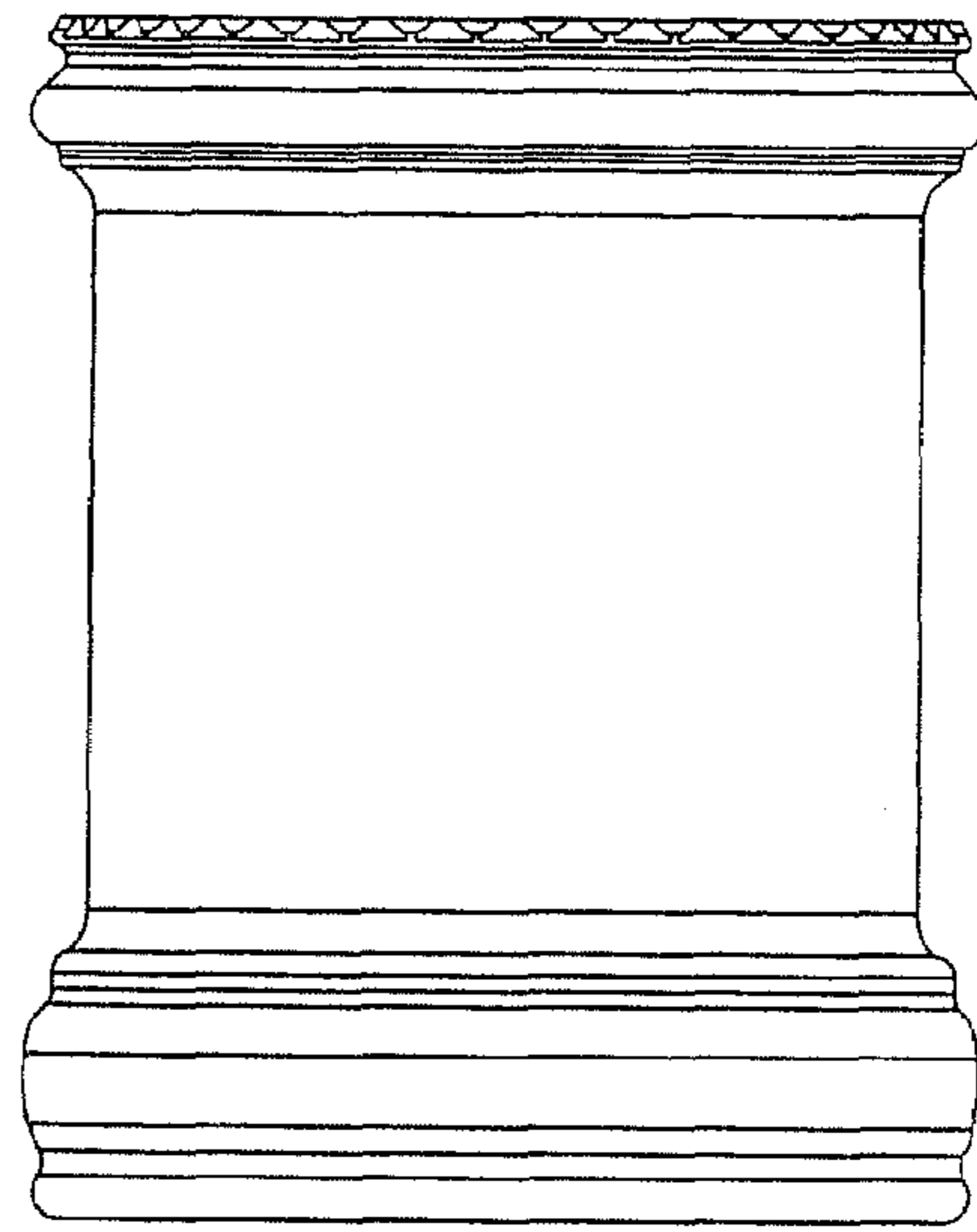


FIG. 2

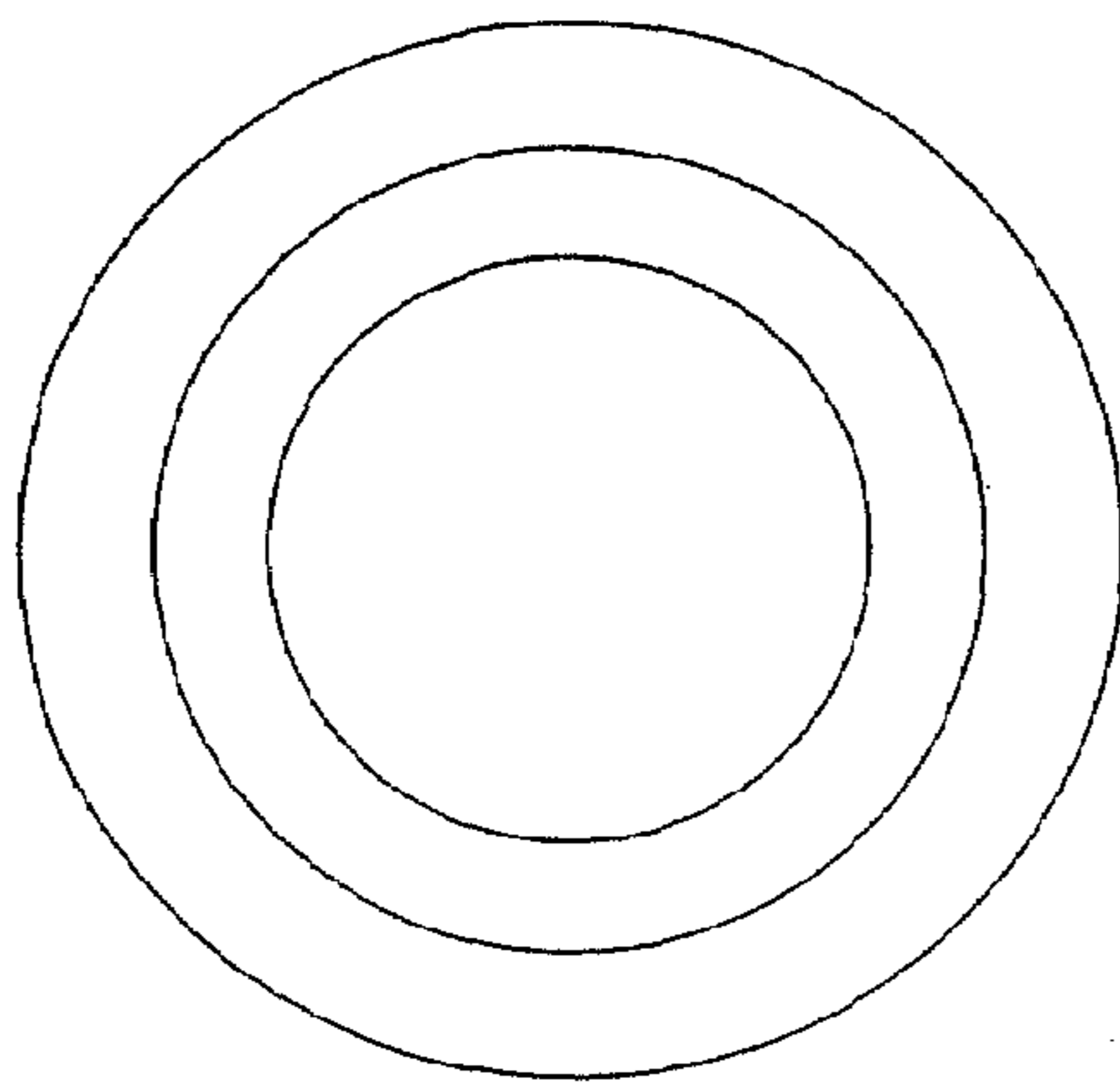


FIG. 3

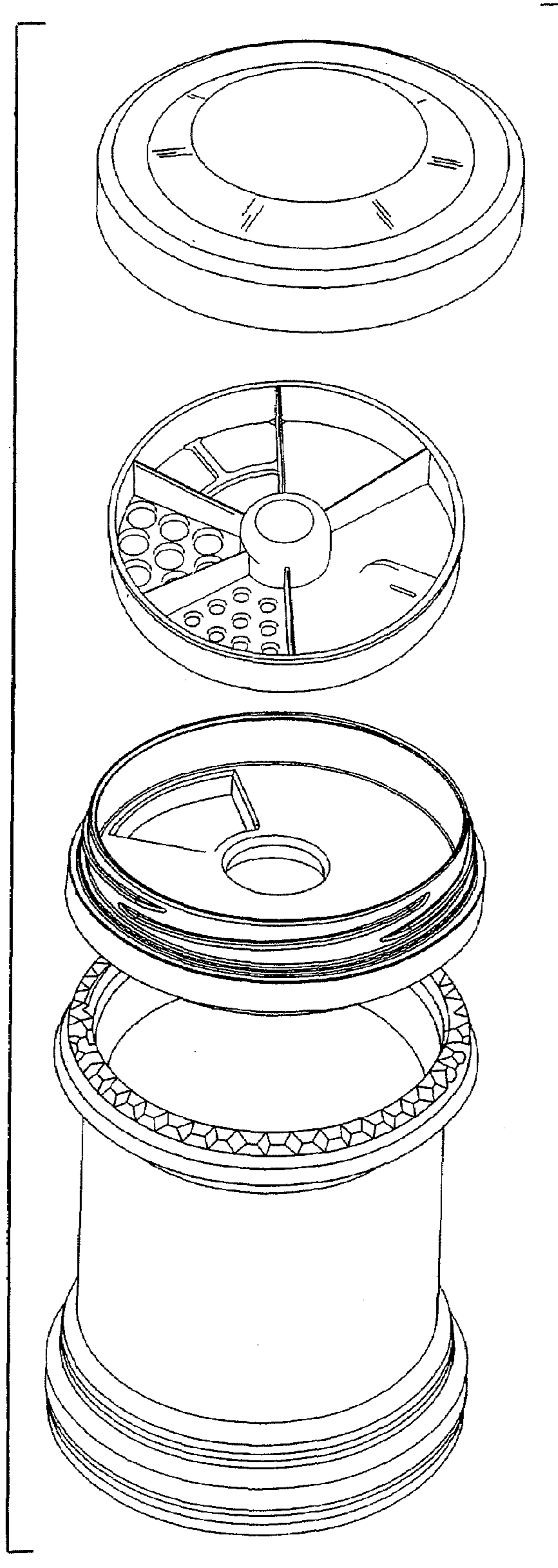


FIG. 4

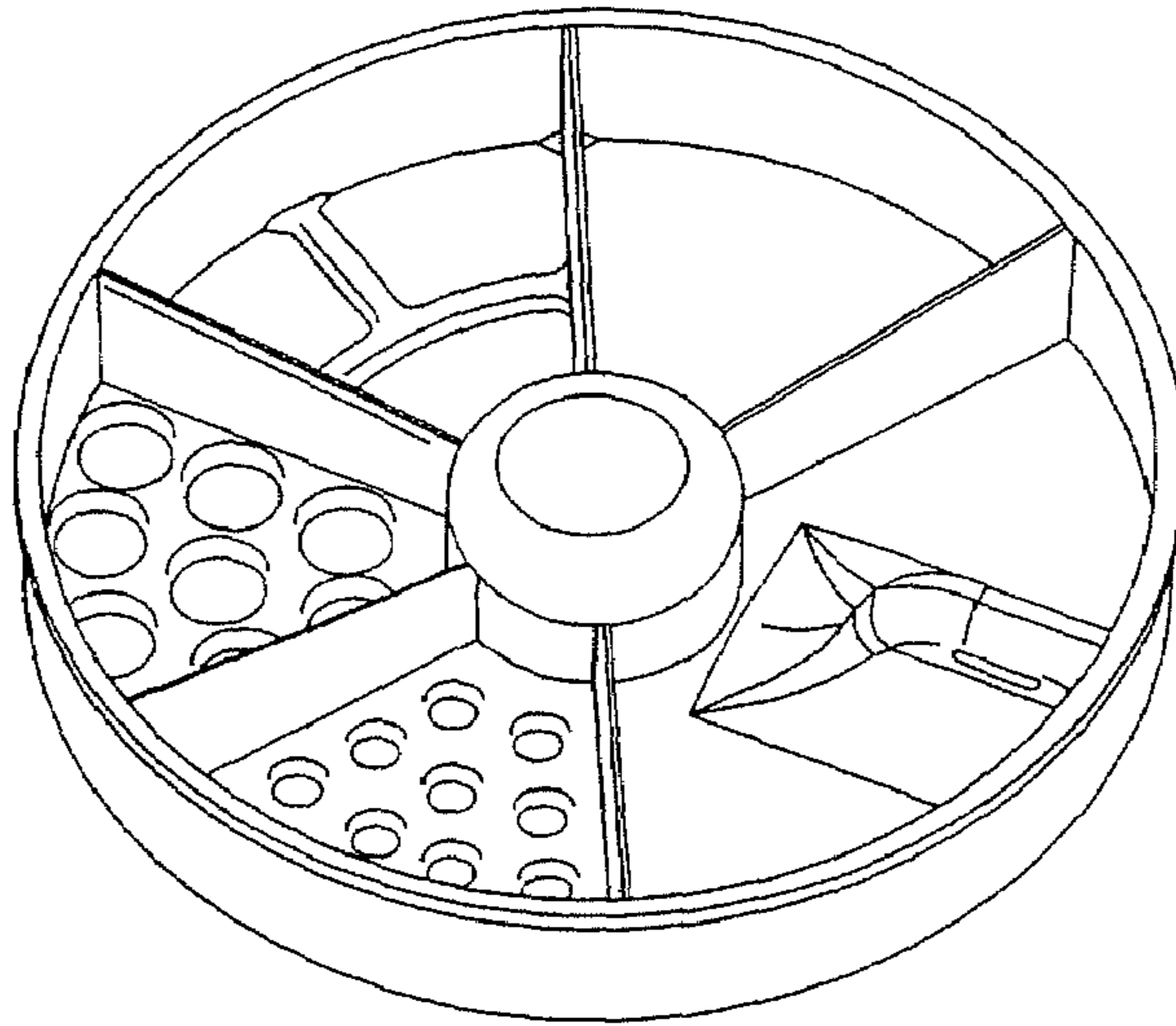


FIG. 5

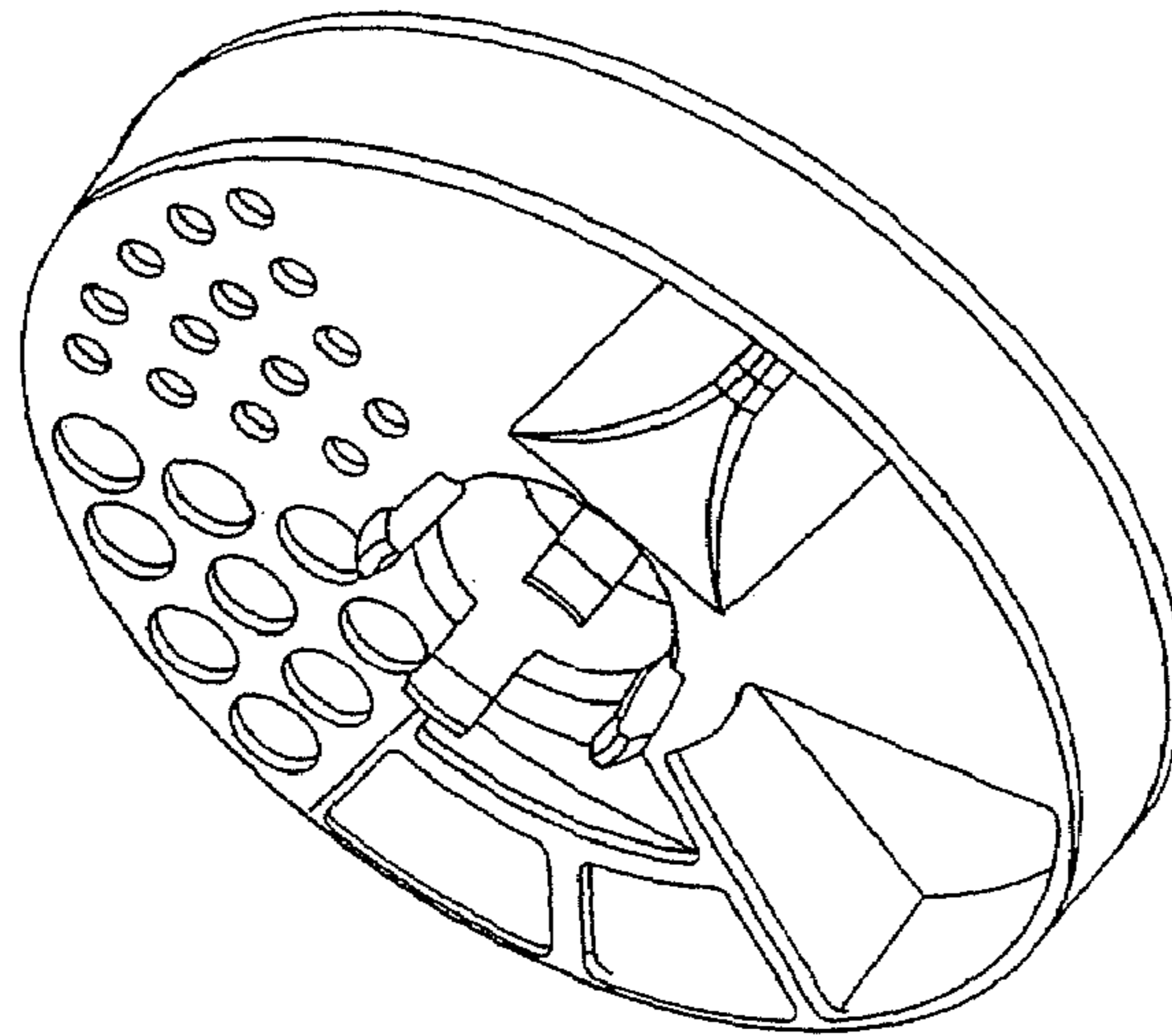


FIG. 6

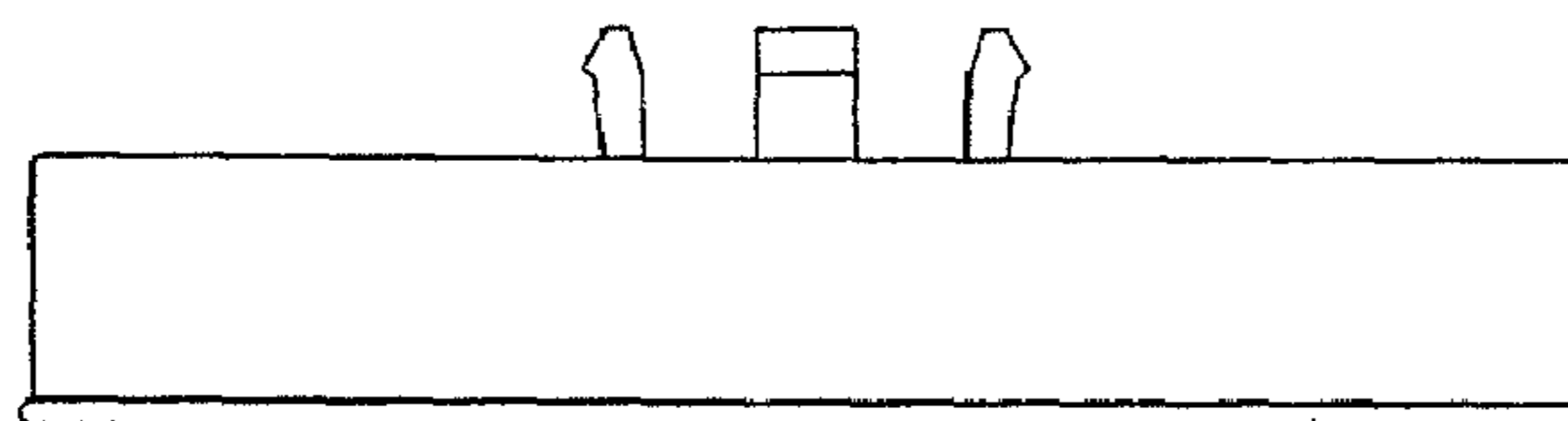


FIG. 7