

US00D561024S

(12) **United States Design Patent**  
**Altonen et al.**

(10) **Patent No.:** **US D561,024 S**

(45) **Date of Patent:** **\*\* Feb. 5, 2008**

(54) **COSMETIC CONTAINER**

(75) Inventors: **Gene Michael Altonen**, West Chester, OH (US); **Ayub Ibrahim Khan**, Cincinnati, OH (US); **Ian Carnduff**, New York, NY (US); **David Sergio Nicosia**, New York, NY (US); **Carol Lea Denison**, Cincinnati, OH (US)

(73) Assignee: **The Procter and Gamble Company**, Cincinnati, OH (US)

(\*\*) Term: **14 Years**

(21) Appl. No.: **29/240,999**

(22) Filed: **Oct. 21, 2005**

(51) **LOC (8) Cl.** ..... **09-07**

(52) **U.S. Cl.** ..... **D9/448**

(58) **Field of Classification Search** ..... D9/682-694, D9/516-575, 435-454; D28/76, 77, 82, D28/84, 91, 91.1; 222/182, 321.7, 321.8, 222/372, 373, 383.1, 384-386, 401, 402, 222/402.1, 402.11, 402.12, 402.13, 562; 215/915

See application file for complete search history.

(56) **References Cited**

**U.S. PATENT DOCUMENTS**

705,074	A *	7/1902	Halapleus	.....	222/402
D124,384	S *	12/1940	Ehrlich	.....	D9/453
D187,163	S *	2/1960	Gunter	.....	D9/447
D195,285	S *	5/1963	Sagarin	.....	D9/448
3,149,746	A *	9/1964	Edelstone et al.	.....	220/784
3,178,071	A *	4/1965	Gentoso	.....	222/402.13

3,608,785	A *	9/1971	Durso et al.	.....	222/182
3,773,227	A *	11/1973	Laing et al.	.....	222/153.1
5,184,746	A *	2/1993	Moore et al.	.....	220/258.2
D414,697	S *	10/1999	Sayers	.....	D9/448
D483,155	S *	12/2003	Orsomando	.....	D28/89
7,104,427	B2 *	9/2006	Pericard et al.	.....	222/402.13
D536,975	S *	2/2007	Smith et al.	.....	D9/449
D538,178	S *	3/2007	Desgrippes et al.	.....	D9/691

\* cited by examiner

*Primary Examiner*—Catherine Tuttle

(74) *Attorney, Agent, or Firm*—Andrew J. Hagerty; Tara M. Rosnell; Brian M. Bolam

(57) **CLAIM**

The ornamental design for a cosmetic container, as shown and described.

**DESCRIPTION**

FIG. 1 is a front perspective view of the cosmetic container, embodying our new design;

FIG. 2 is a bottom perspective view thereof;

FIG. 3 is a front view thereof;

FIG. 4 is a rear view thereof;

FIG. 5 is a right side view thereof;

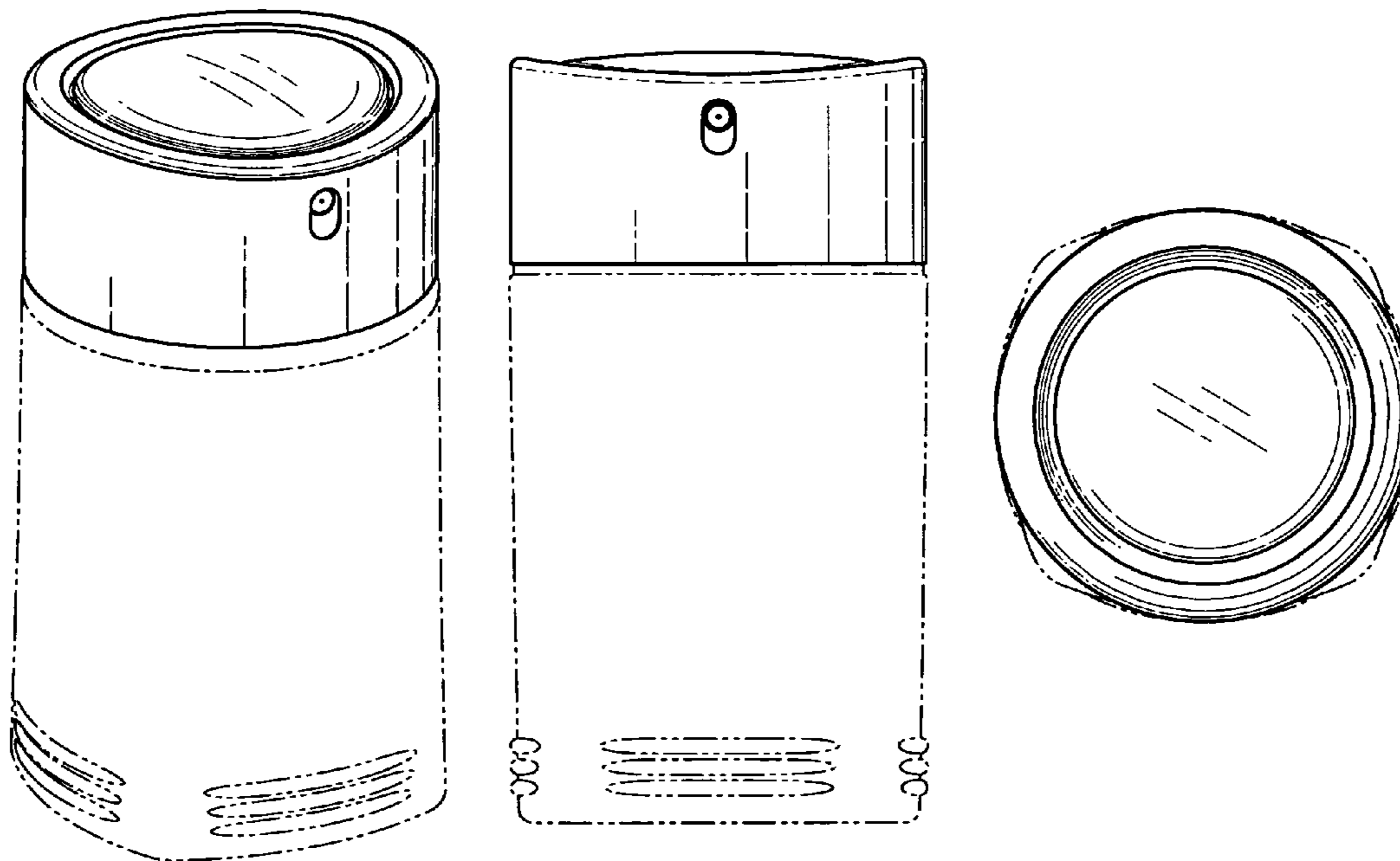
FIG. 6 is a left side view;

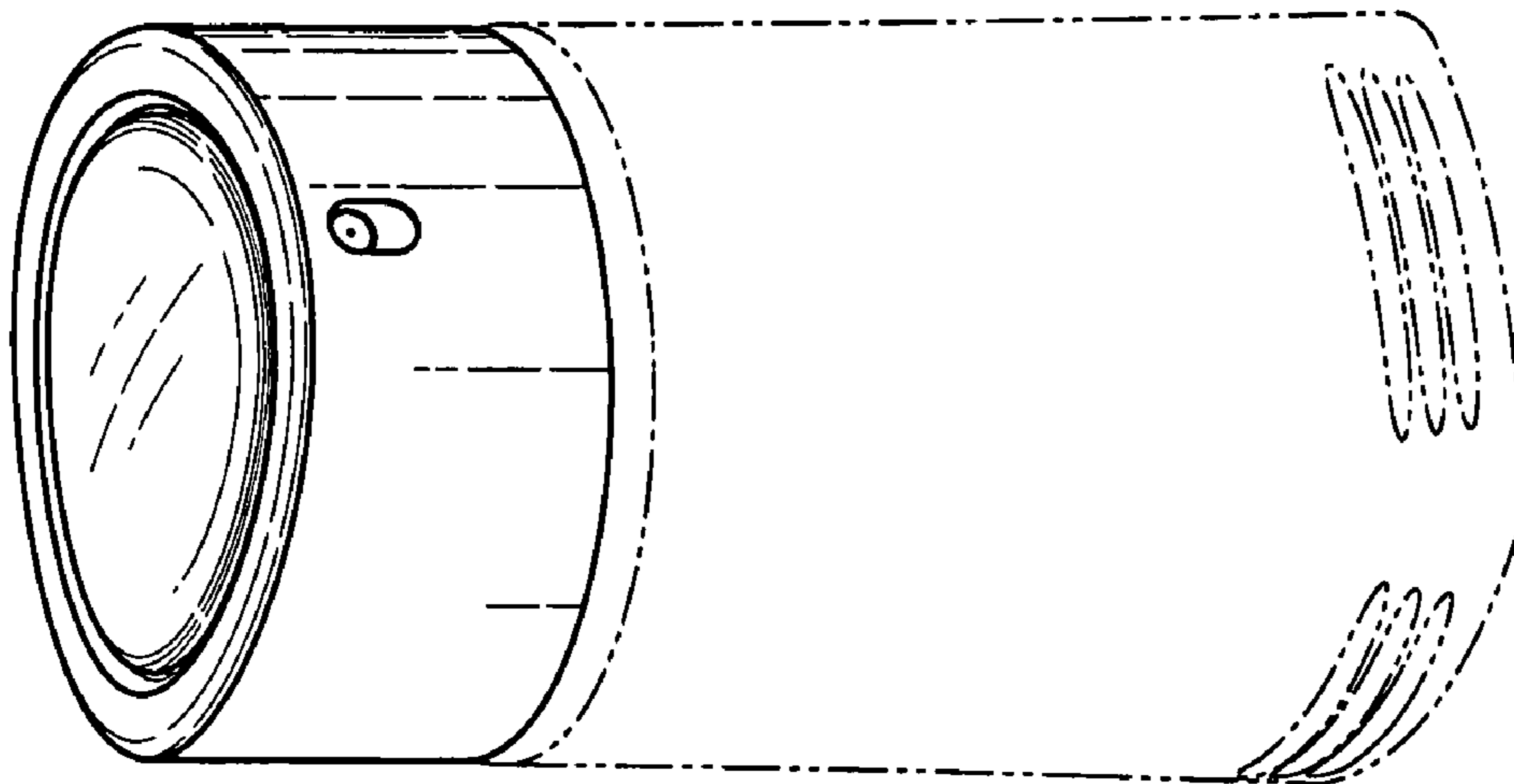
FIG. 7 is a top plan view; and,

FIG. 8 is a bottom view, embodying our new design.

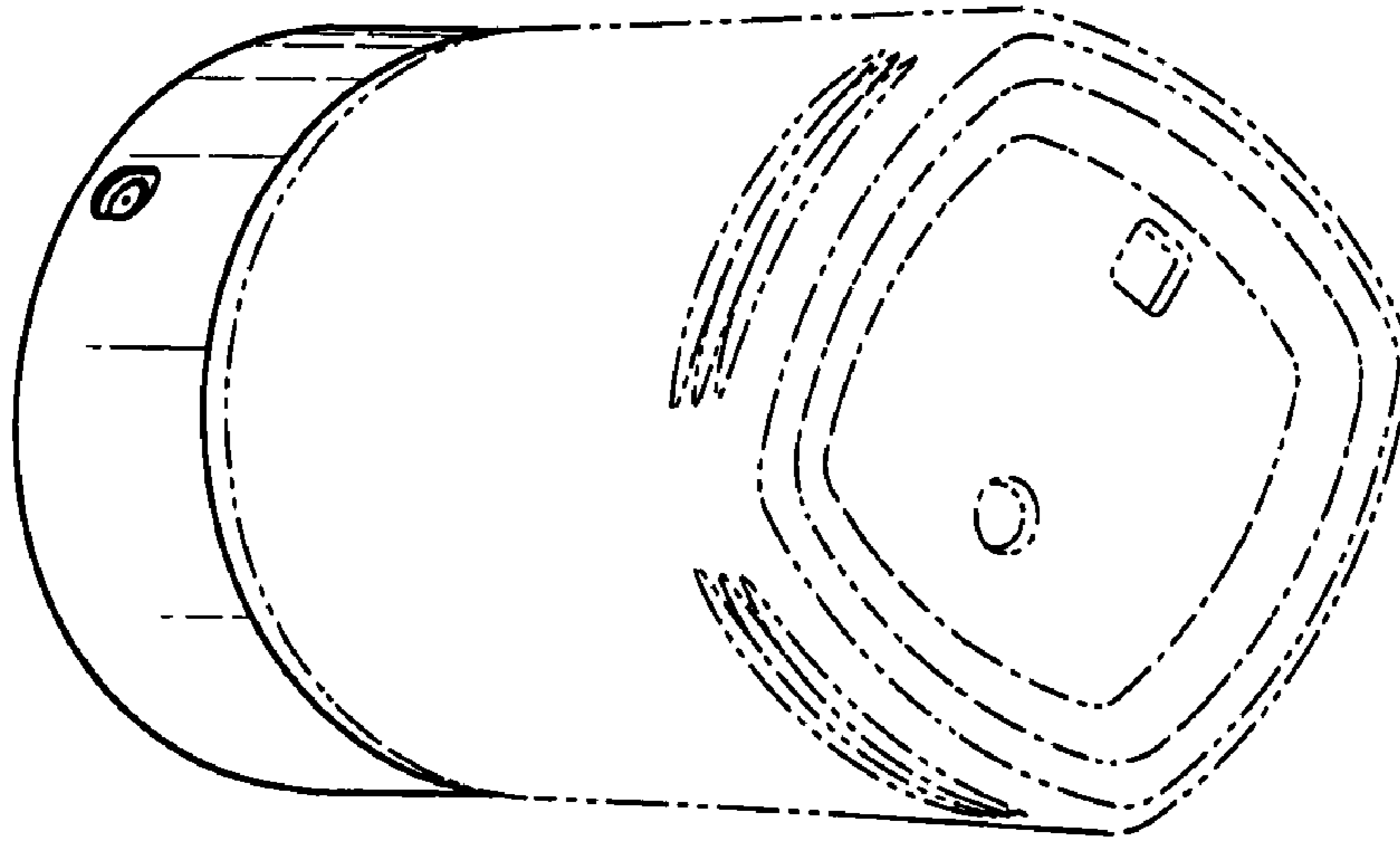
The broken lines are included for the purpose of illustrating portions of the cosmetic container that form no part of the claimed design.

**1 Claim, 4 Drawing Sheets**

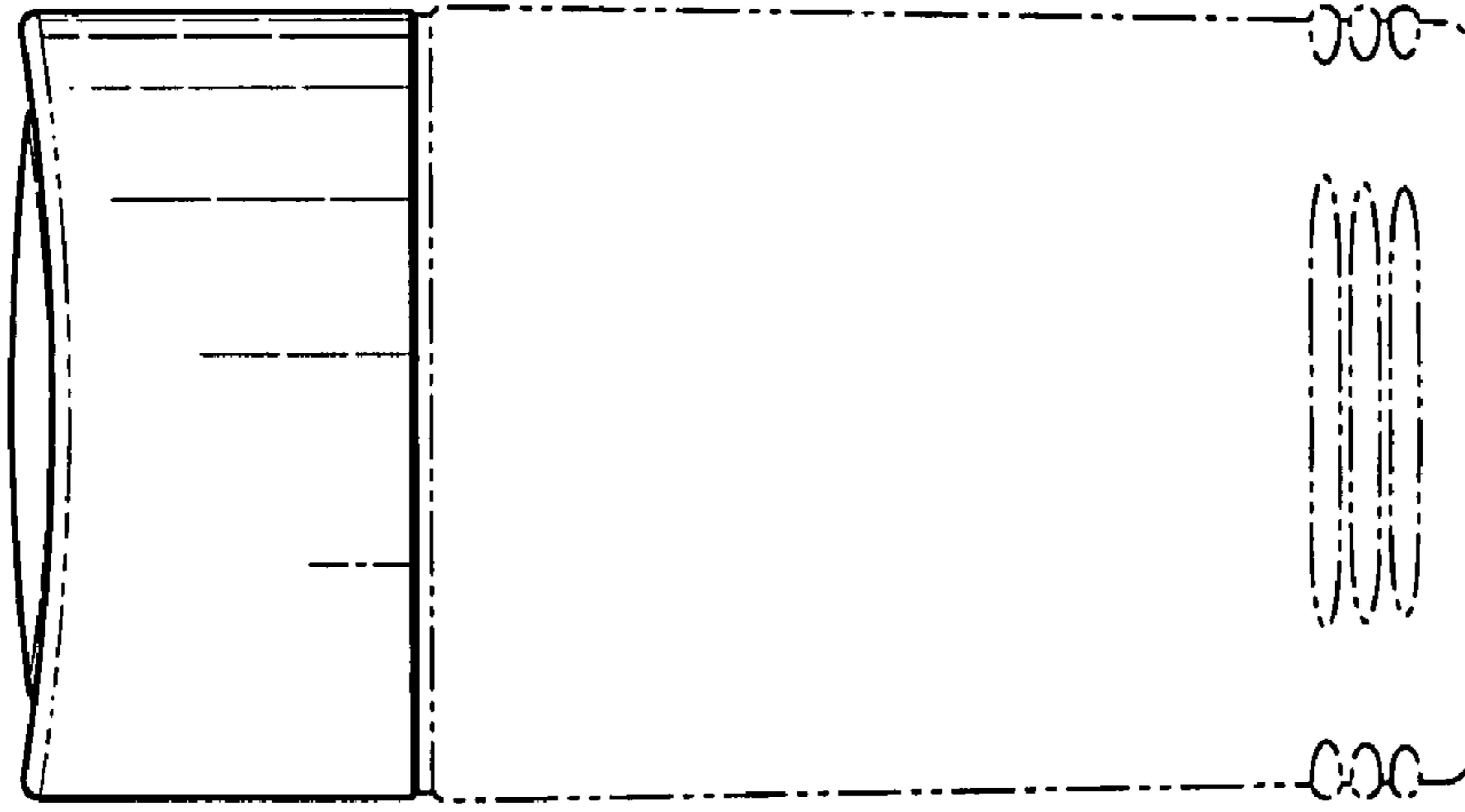




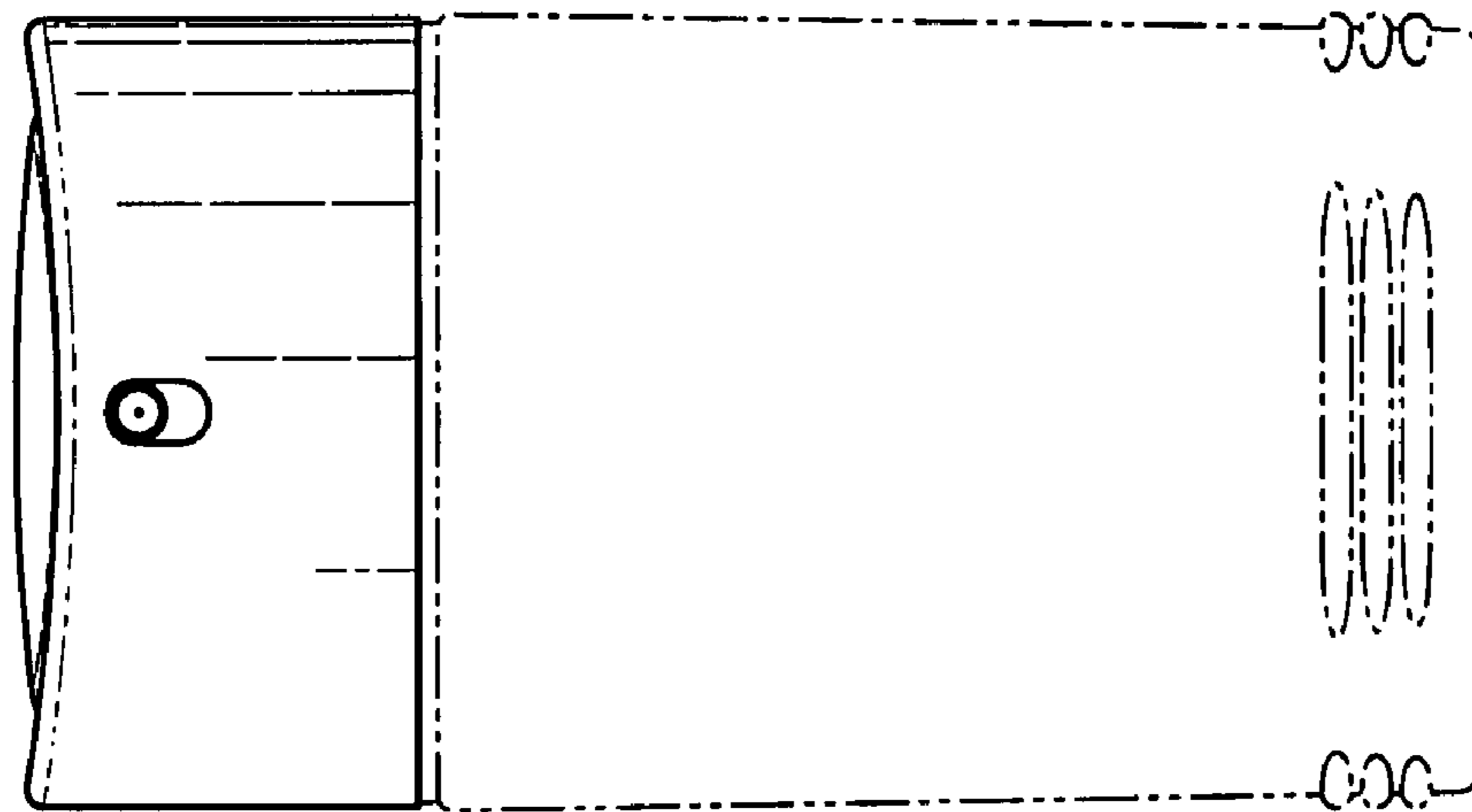
*Fig. 1*



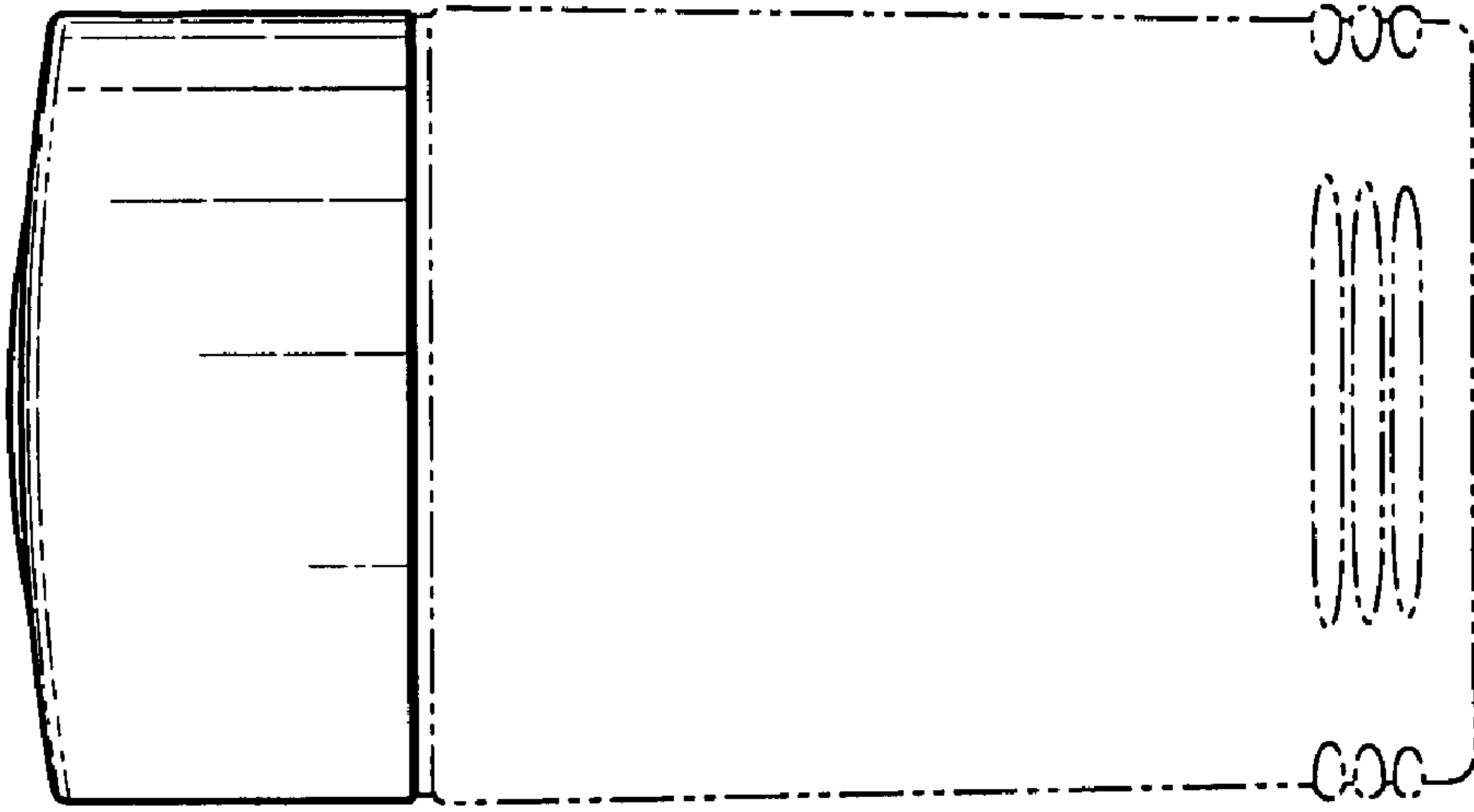
*Fig. 2*



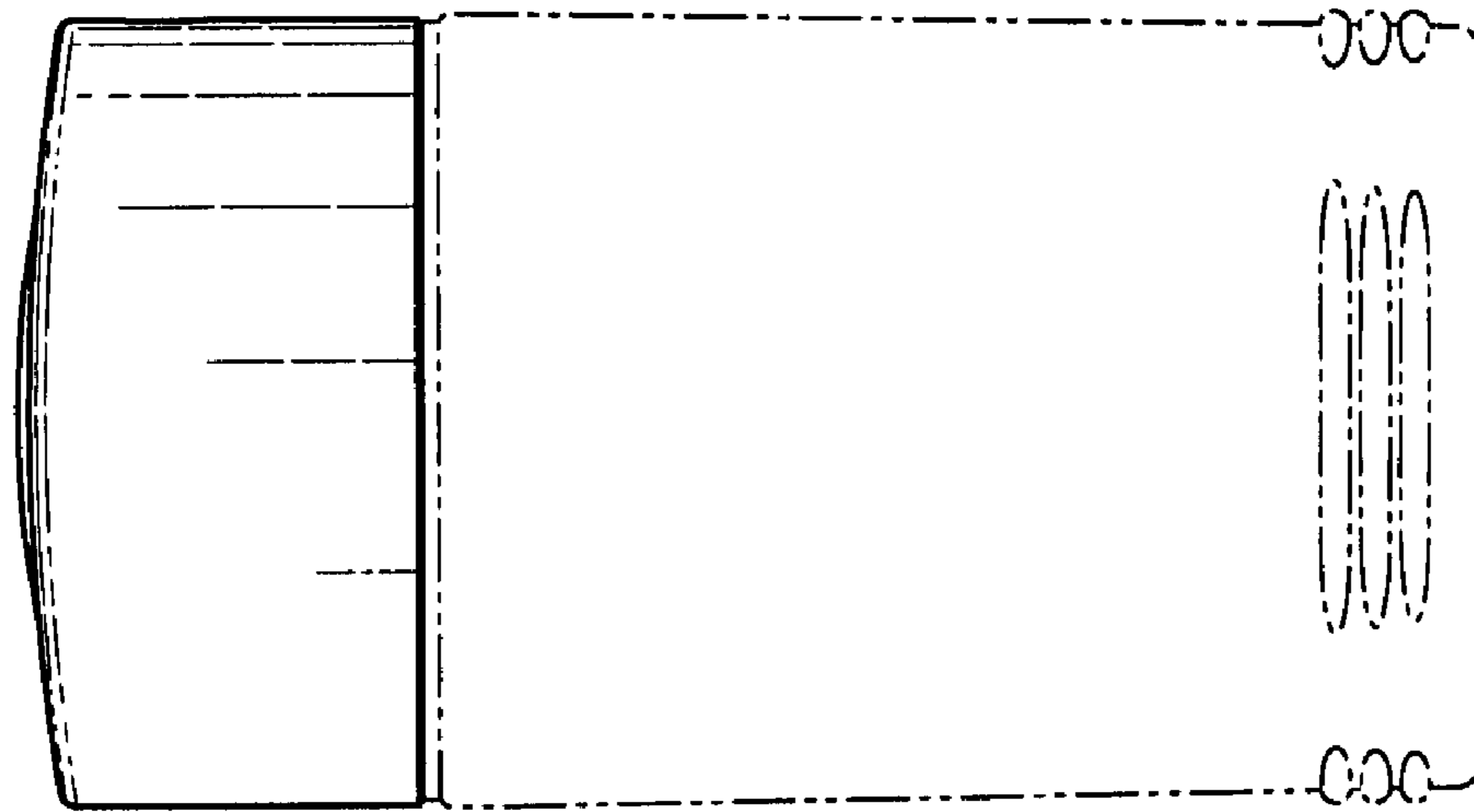
*Fig. 4*



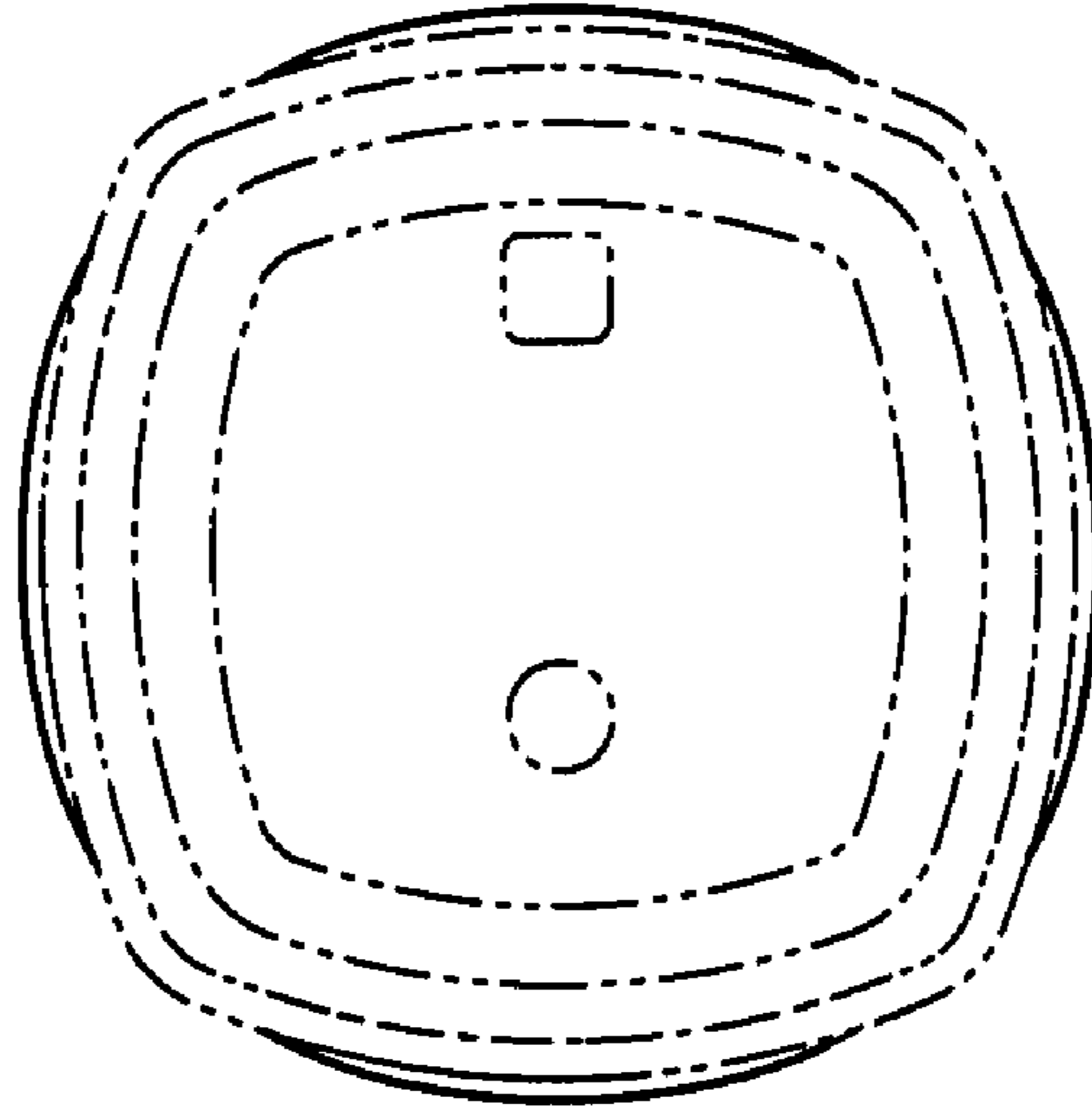
*Fig. 3*



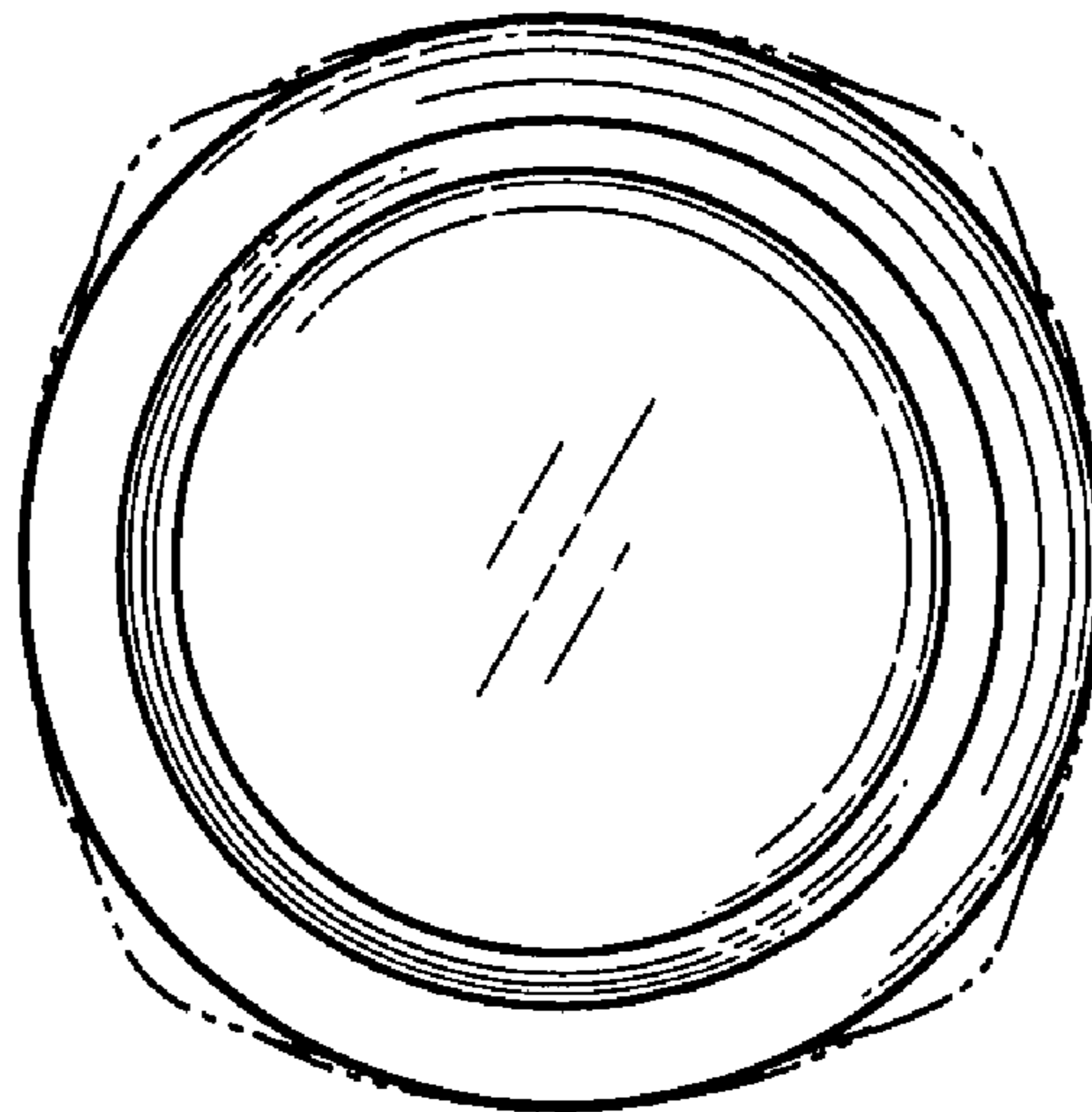
*Fig. 6*



*Fig. 5*



*Fig. 8*



*Fig. 7*