



US00D561023S

(12) **United States Design Patent**  
**Jacxsens**

(10) **Patent No.:** **US D561,023 S**

(45) **Date of Patent:** **\*\* Feb. 5, 2008**

(54) **BOX**

(75) Inventor: **Dirk Jacxsens**, Merelbeke (BE)

(73) Assignee: **S.A. Confiserie Leonidas**, Brussels (BE)

(\*\*) Term: **14 Years**

(21) Appl. No.: **29/252,206**

(22) Filed: **Jan. 20, 2006**

(30) **Foreign Application Priority Data**

Jul. 28, 2005 (EM) ..... 000378567-0001

(51) **LOC (8) Cl.** ..... **09-03**

(52) **U.S. Cl.** ..... **D9/431**

(58) **Field of Classification Search** ..... D9/430-432,  
D9/414, 420-425; 220/4.21-4.25; 229/930,  
229/902, 100, 103.3, 138, 114, 155, 911,  
229/406, 407, 247

See application file for complete search history.

(56) **References Cited**

**U.S. PATENT DOCUMENTS**

1,908,251 A \* 5/1933 Inman et al. .... 229/114  
2,042,796 A \* 6/1936 Murray ..... 229/122.33  
2,266,649 A \* 12/1941 Genevieve ..... 229/243  
2,475,294 A \* 7/1949 Rafoth ..... 229/401  
D185,882 S \* 8/1959 Bamgurg ..... D9/423  
D217,441 S \* 5/1970 Kanaga ..... D9/421

4,291,827 A \* 9/1981 Mulroy ..... 229/117  
D336,428 S \* 6/1993 Buratto ..... D9/432  
D337,942 S \* 8/1993 Artis ..... D9/431  
D353,538 S \* 12/1994 Jobit ..... D9/432  
D456,710 S \* 5/2002 Persson ..... D9/431  
D467,798 S \* 12/2002 Cohon ..... D9/418

\* cited by examiner

*Primary Examiner*—Stella M. Reid

*Assistant Examiner*—Mark Goodwin

(74) *Attorney, Agent, or Firm*—Jacobson Holman PLLC

(57) **CLAIM**

The ornamental design for a box, as shown and described.

**DESCRIPTION**

FIG. 1 is a front perspective view of a box showing my new design;

FIG. 2 is a front view thereof, the rear view being a mirror image thereof;

FIG. 3 is a right side view thereof, the left side being a mirror image thereof;

FIG. 4 is a top plan view thereof;

FIG. 5 is a bottom plan view thereof;

FIG. 6 is a front perspective view thereof, shown in partially open condition; and,

FIG. 7 is a front perspective view thereof, shown in fully open condition.

**1 Claim, 5 Drawing Sheets**

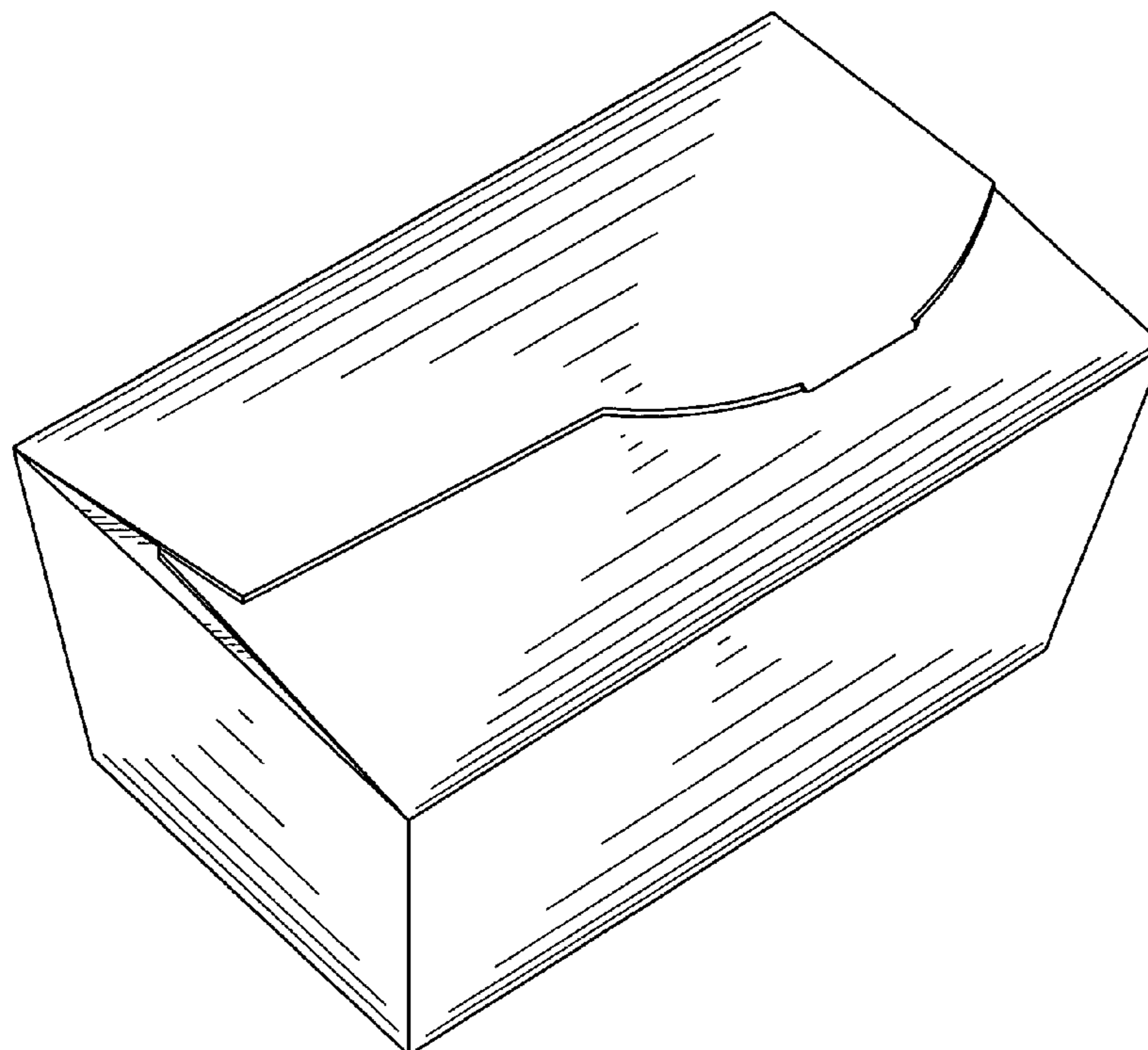


FIG. 1

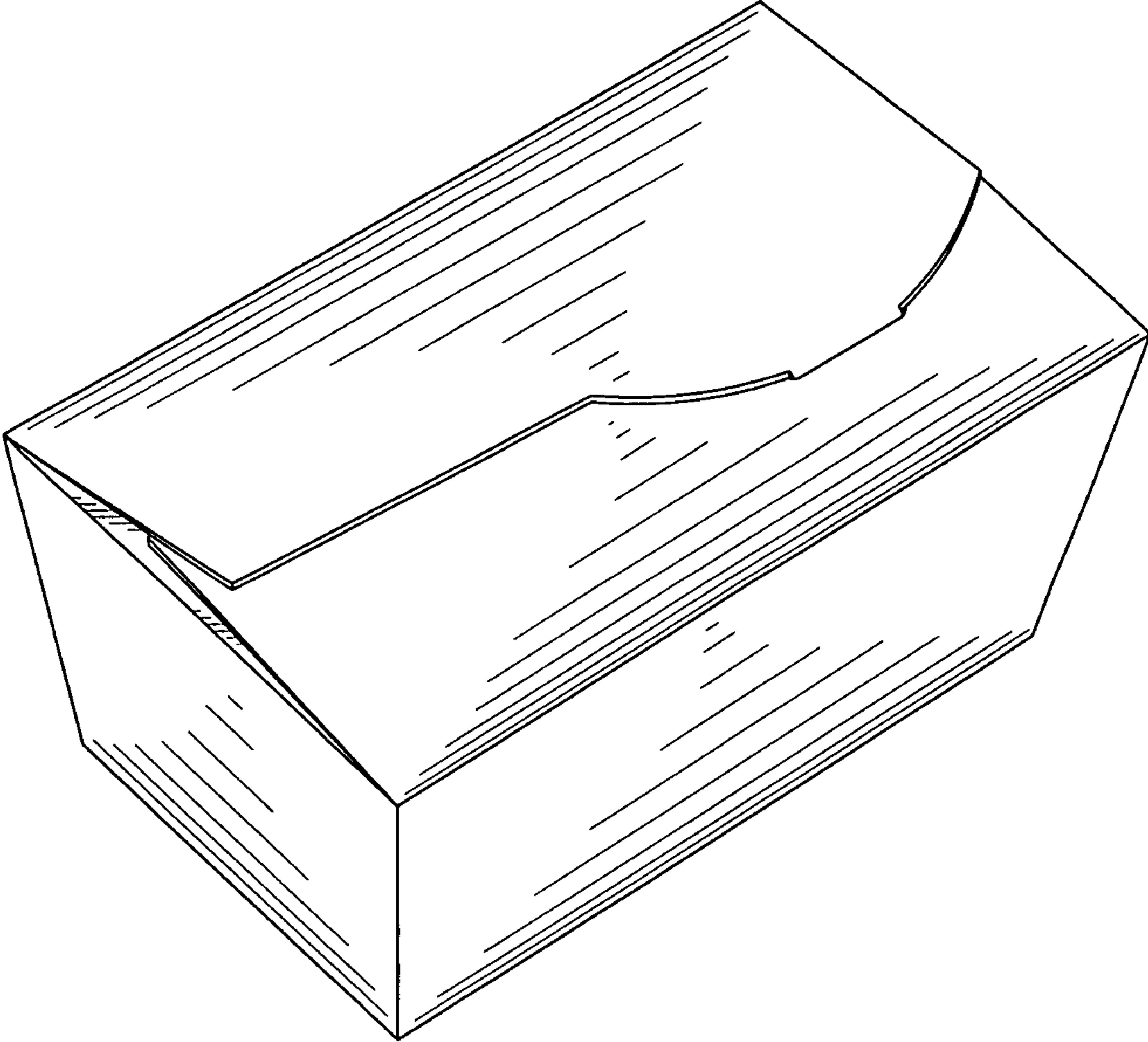


FIG. 2

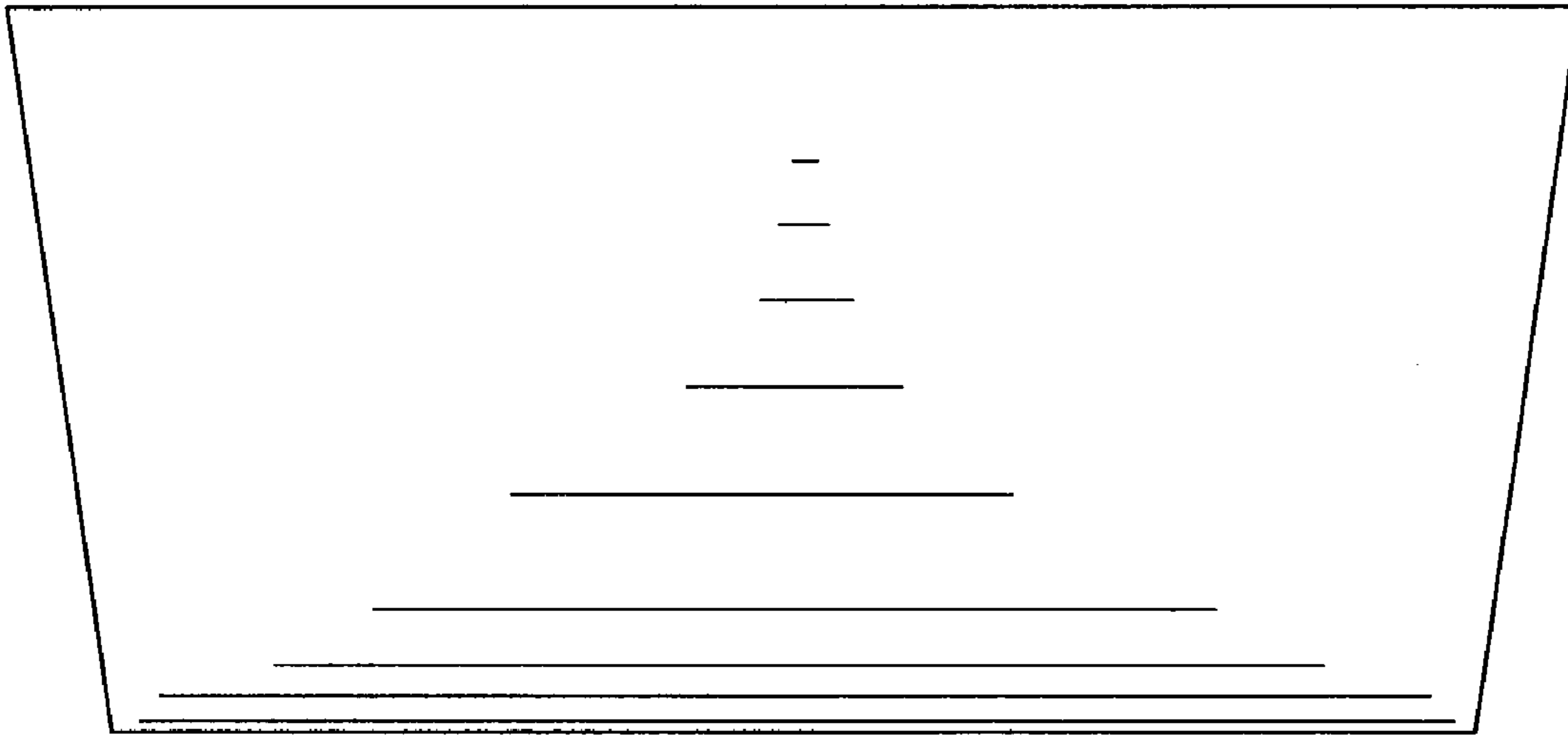


FIG. 3

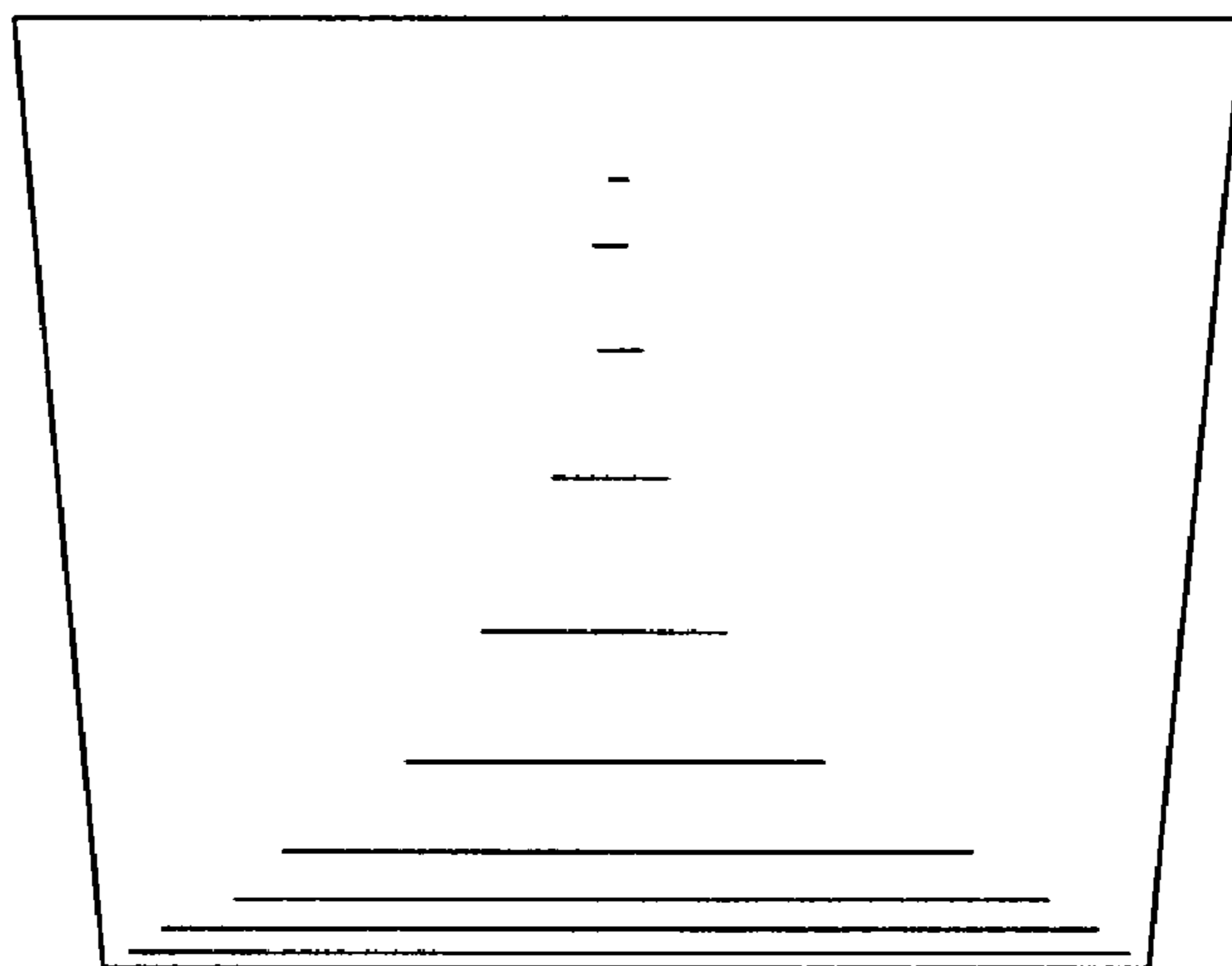


FIG. 4

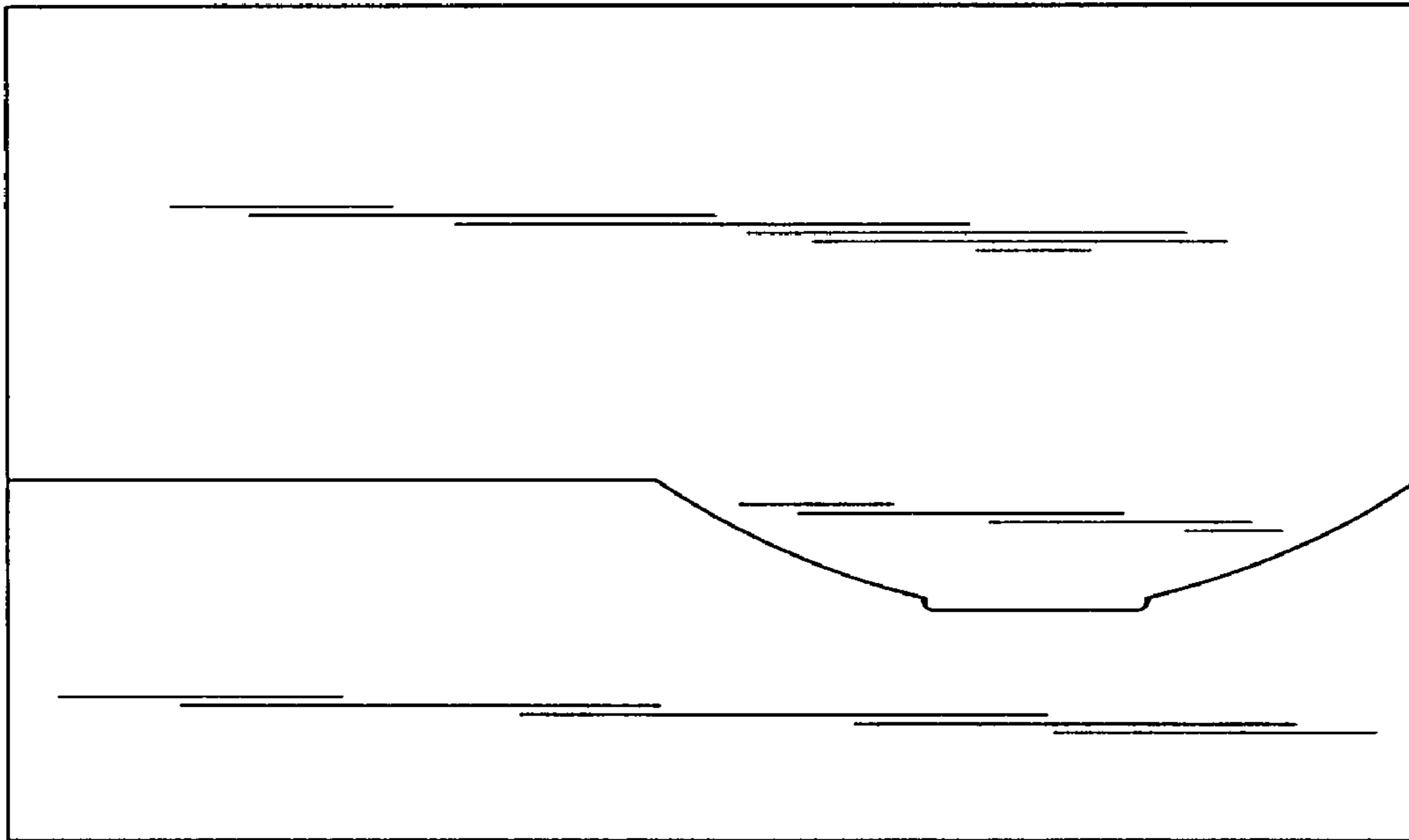


FIG. 5

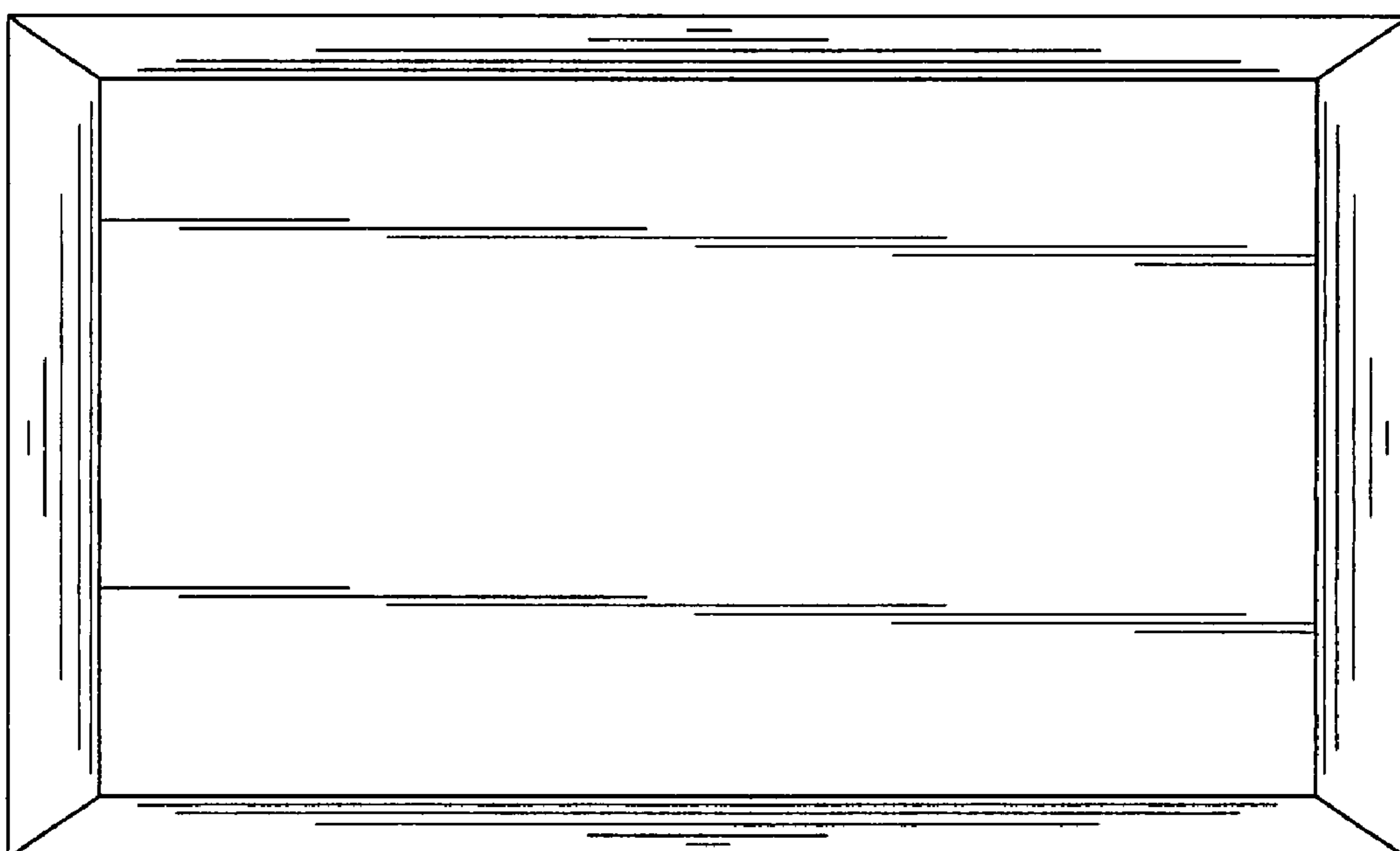


FIG. 6

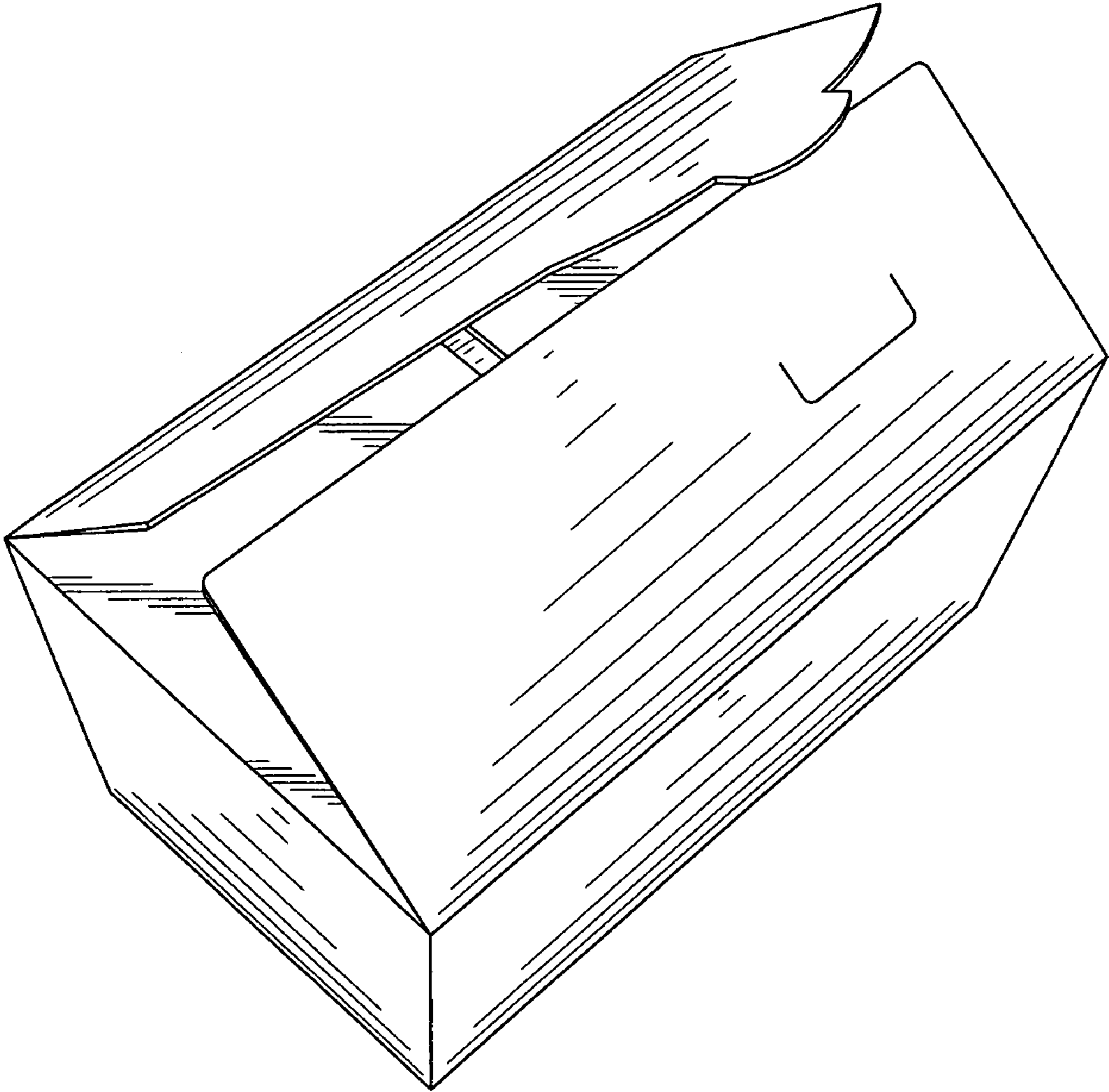


FIG. 7

